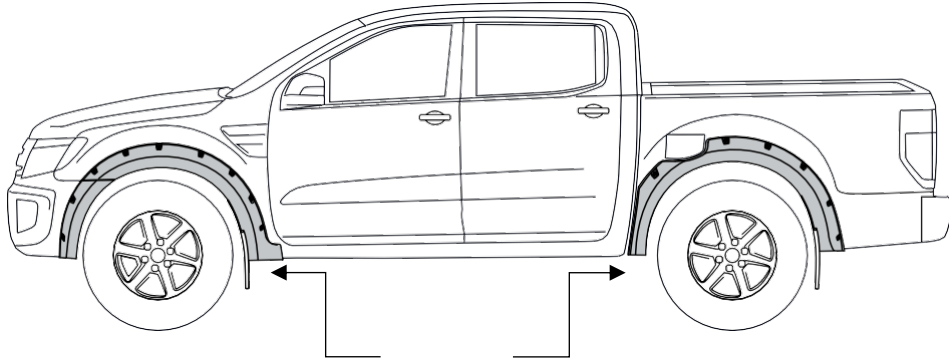


# Mounting instructions

## Fender Flares FRONT/REAR



### FENDER FLARES INSTALLATION INSTRUCTIONS

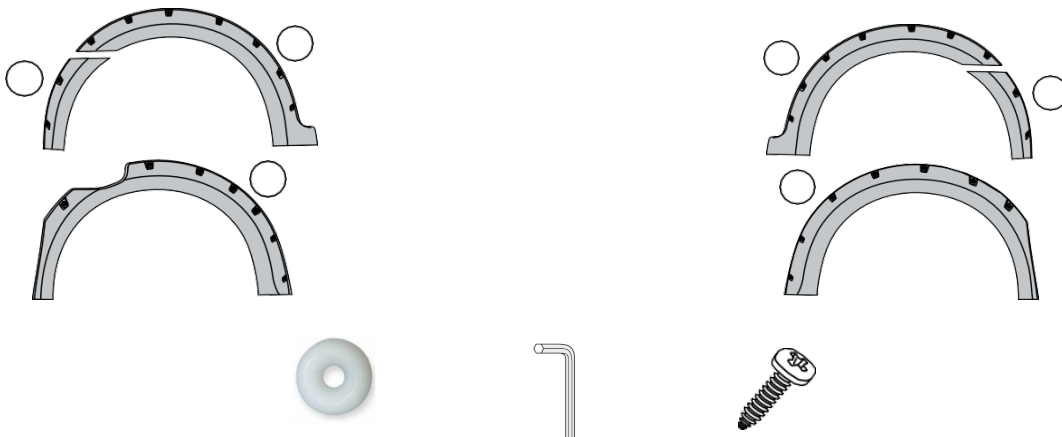
#### NOTES:

- Ensure that both left and right hand Fender Flares suit the profile of the vehicle. Note the areas where the Fender Flares come in contact with the vehicle.
- Before fitting Fender Flares remove any moldings, strips or existing flares from the wheel arch. If there is a body side molding, mark where the molding is to be cut, alternatively the Fender Flares can be cut to go around the molding. Be sure to allow enough room for the extrusion.
- Read instructions carefully. This product must be installed exactly as specified in these instructions. Failure to do so may result in improper fit and/or retention.

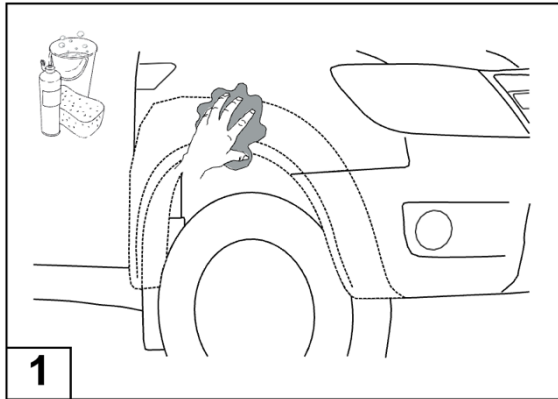
#### TOOLS REQUIRED

- SCREW
- WASHER
- HEX ALLEN KEY

#### COMPONENTS LIST

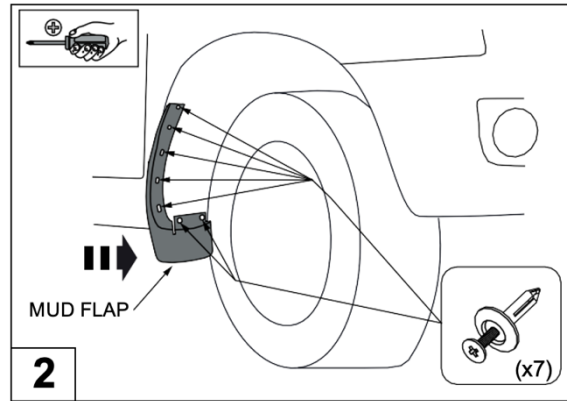


## FENDER FLARES INSTALLATION INSTRUCTIONS



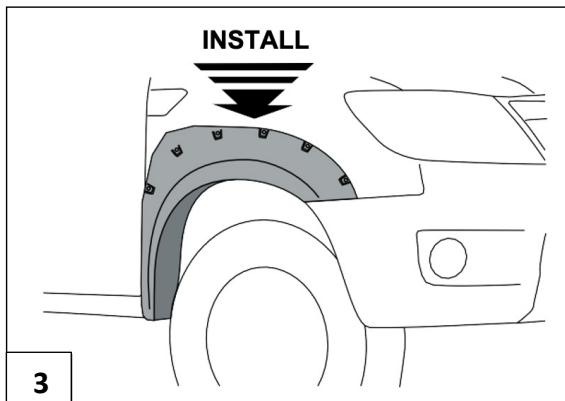
**1**

Wash the areas of contact on the vehicle and wipe dry. Wipe the fender where the flare will contact, using provided Alcohol wipes



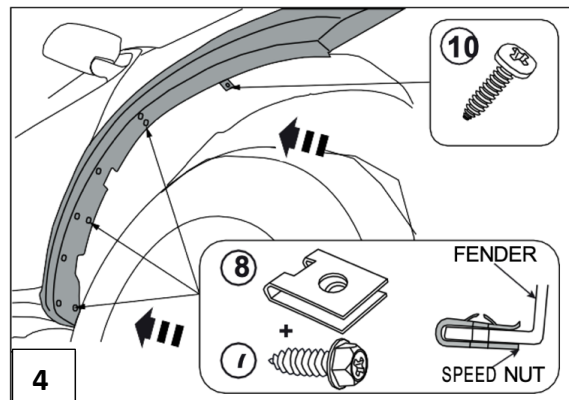
**2**

Remove the mud flaps by removing the (7) screws from inside the wheel arch as shown.



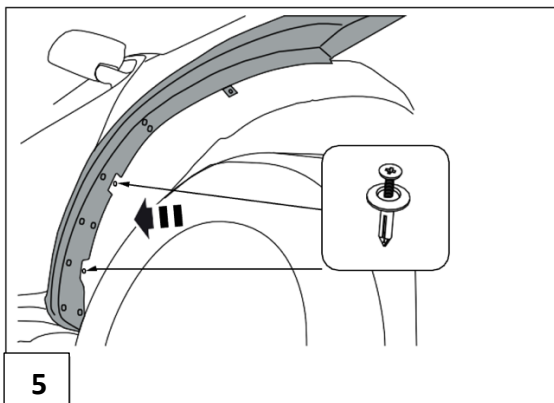
**3**

Fit the fender flare to the vehicle in the uppermost vertical position before final fixings.



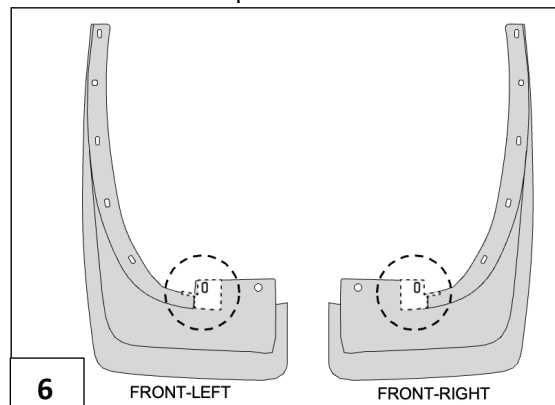
**4**

Hold the splash guard inwards and push the supplied Speed nuts onto the front guard into the hole positions as shown. Fold the plastic Tab inwards over the fender and secure with one Philips head screw.



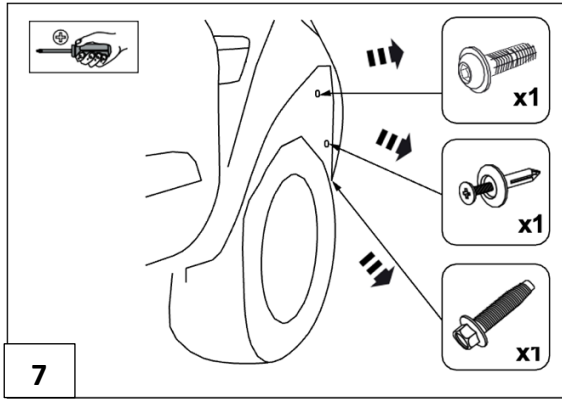
**5**

Reattach the wheel arch liner with factory screws.

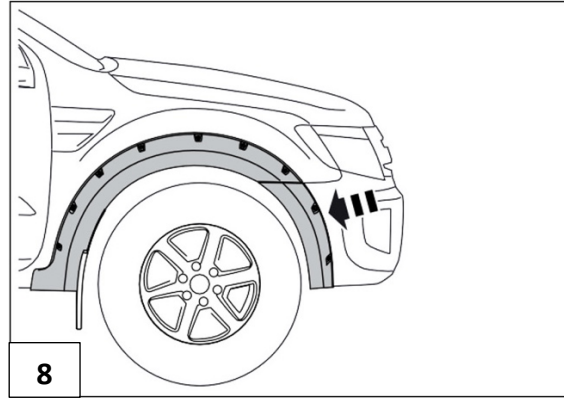


**6**

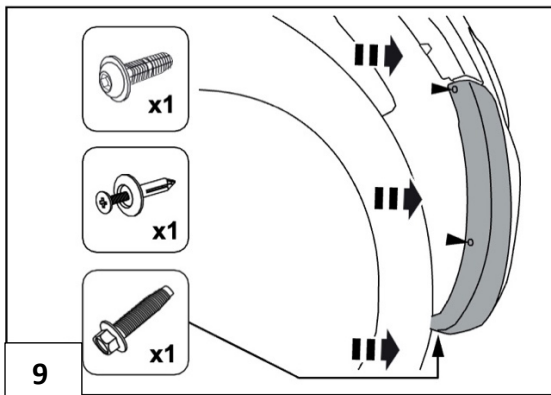
Prepare the Front Mud Flaps by cleaning them covering the marked areas with masking tape.



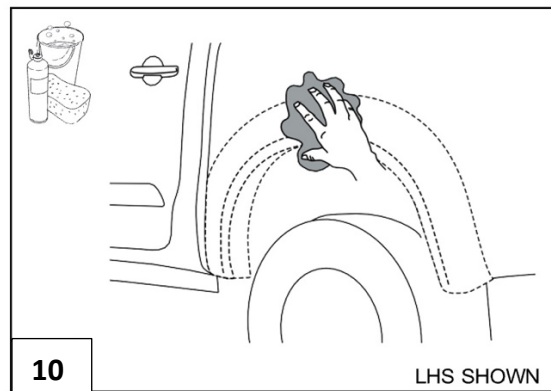
7  
Remove and retain screw and scrivet from the wheel arch on the front bumper remove and retain the hex head screw located under the bumper



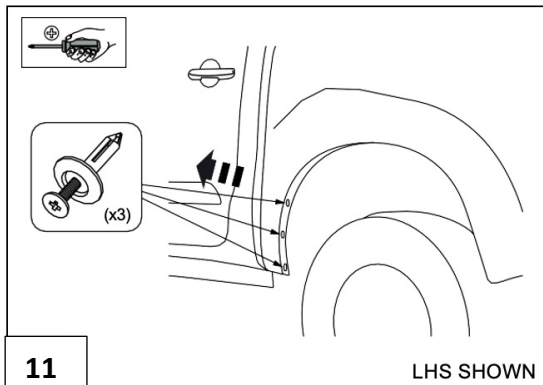
8  
Fit the bumper flare to the vehicle as shown.



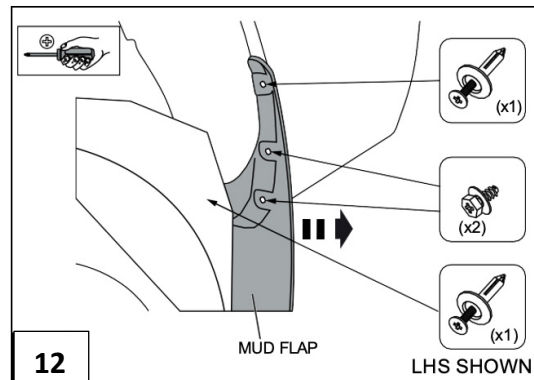
9  
Secure the flare using previously removed screw and scrivet as shown.



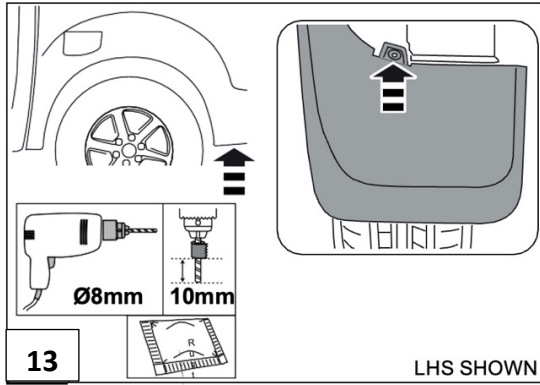
10  
Wash the areas of contact on the vehicle and wipe the fender where the flare will contact using provided alcohol wipes. LHS SHOWN



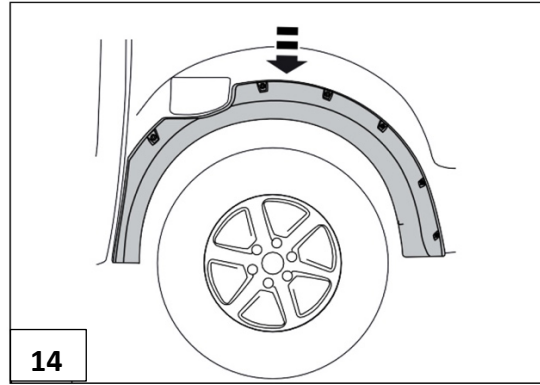
11  
Remove the scrivets from inside the rear wheel arch as shown. LHS SHOWN



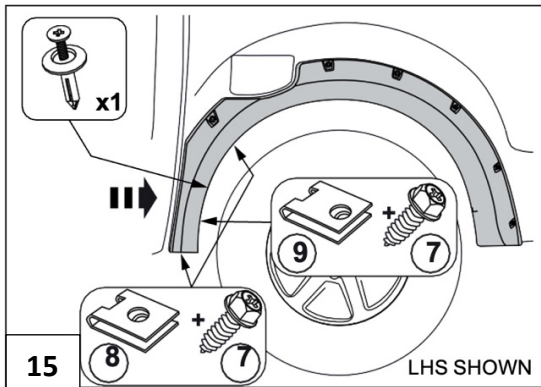
12  
Remove the rear mud flaps by removing and retaining the screws and scrivets from inside the wheel arch as shown. LHS SHOWN



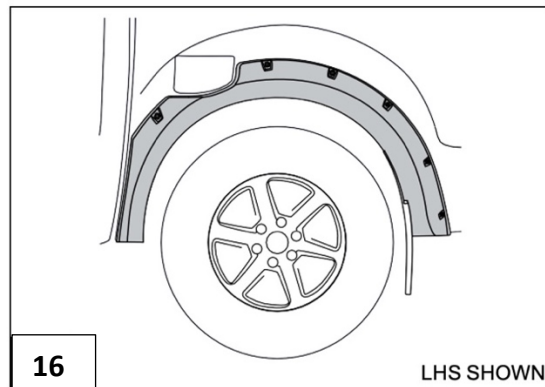
13 Carefully drill through centre of rivet holding the liner behind the rear mud flap with a 8mm drill bit and 10mm drill stop as shown Carefully



14 Fit the fender flare to the vehicle in the uppermost vertical position before final fixing and tape application is completed as shown



15 Attach the front part of the rear fender flare with (3) Hex head screws and speed nuts as per front fender process Reuse one factory plastic scrivet as shown.



16 Ensure that flares are aligned. Remove the tape liner, contacting the vehicle surface around the full perimeter . Apply firm pressure on the flare to ensure the tape is of the flares.

				BLACK		BRIGHT	
				MOUNTING	WASHER	INNOX	HEX
			SCREW	SCREW	SCREW	ALLEN	KEY
FF02.001	VW	AMAROK	VW Amarok MK1 2010-2016 Fender Flares (4 Pcs)	33	33	32	1
FF02.002	VW	AMAROK	VW Amarok MK1 Facelift 2016-2021 AdBlue Fender Flares (4 Pcs)	33	33	32	1
FF02.003	NISSAN	NAVARA	NISSAN Navara NP300 (D23) 2014-2021 Fender Flares (4 Pcs)	33	33	27	1
FF02.004	NISSAN	NAVARA	NISSAN Navara NP300 (D23) 2014-2021 AdBlue Fender Flares (4 Pcs)	33	33	27	1
FF02.005	MITSUBISHI	L200 TRITON	MITSUBISHI L200 Triton Series 6 2019+ Fender Flares (4 Pcs) / FIAT Fullback 2015-2019 Fender Flares (4 Pcs)	33	33	22	1
FF02.006	MITSUBISHI	L200 TRITON	MITSUBISHI L200 Triton Series 6 2019+ Fender Flares (4 Pcs)	33	33	23	1
FF02.007	MERCEDES	X CLASS	MERCEDES X Class W470 2017+ Fender Flares (4 Pcs)	33	33	27	1
FF02.008	MERCEDES	X CLASS	MERCEDES X Class W470 2017+ Jumbo Fender Flares (4 Pcs)	33	33	X	0
FF02.009	ISUZU	D- MAX	ISUZU D-Max Series 2 2012-2019 Fender Flares (4 Pcs)	33	33	27	1
FF02.010	FORD	RANGER	FORD Ranger T6 2012-2015 Tapped Fender Flares (6 Pcs) / FORD Ranger T7 2015-2019 Tapped Fender Flares (6 Pcs) / FORD Ranger T8 2019-2022 Tapped Fender Flares (6 Pcs)	41	41	X	1
FF02.011	FORD	RANGER	FORD Ranger T8 2019-2022 Park Assist Tapped Slim Fender Flares (6 Pcs)	40	40	X	0

FF02.012	FORD	RANGER	FORD Ranger T8 2019-2022 Park Assist Fender Flares (4 Pcs)	41	41	27	1
FF02.013	FORD	RANGER	FORD Ranger T6 2012-2015 Jumbo Fender Flares (4 Pcs) / FORD Ranger T7 2015-2019 Jumbo Fender Flares (4 Pcs) / FORD Ranger T8 2019-2022 Jumbo Fender Flares (4 Pcs)	33	33	X	1
FF02.014	FORD	RANGER	FORD Ranger T6 2012-2015 Fender Flares (4 Pcs) / FORD Ranger T7 2015-2019 Fender Flares (4 Pcs) / FORD Ranger T8 2019-2022 Fender Flares (4 Pcs)	41	41	27	1
FF02.020	SSANGYONG	MUSSO	SSANGYONG Musso Grand SWB 2018-2020 Fender Flares (4 Pcs)	20	20	27	1
FF02.021	NISSAN	NAVARA	NISSAN Navara D40 2005-2010 Fender Flares (4 Pcs)	20	20	X	0
FF02.022	MITSUBISHI	L200 TRITON	MITSUBISHI L200 Triton Series 4 Double Cab 2010-2014 Fender Flares (4 Pcs)	33	33	26	1
FF02.026	TOYOTA	HILLUX	TOYOTA Hilux 8th Generation 2015-2020 Fender Flares (6 Pcs)	32	32	X	0
FF02.028	FORD	RANGER	FORD Ranger 2022+ Jumbo Fender Flares (6 Pcs)	33	33	X	0
FF02.029	FORD	RANGER	FORD Ranger 2022+ Fender Flares (6 Pcs)	41	41	27	1
FF02.030	NISSAN	NAVARA	NISSAN Navara D40 Facelift 2010-2014 Fender Flares (4 Pcs)	20	20	X	0
FF02.031	FORD	RANGER	FORD Ranger T6 2012-2015 Tapped Slim Fender Flares (6 Pcs) / FORD Ranger T7 2015-2019 Tapped Slim Fender Flares (6 Pcs) / FORD Ranger T8 2019-2022 Tapped Slim Fender Flares (6 Pcs)	40	40	X	0