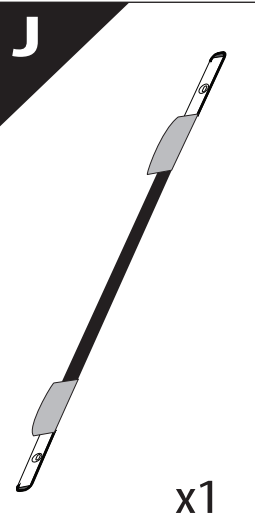
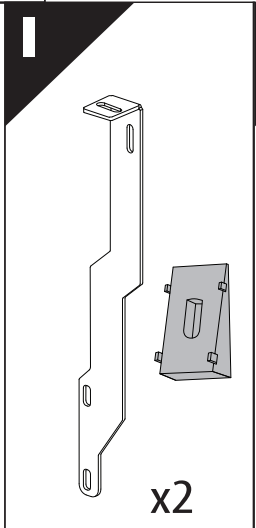
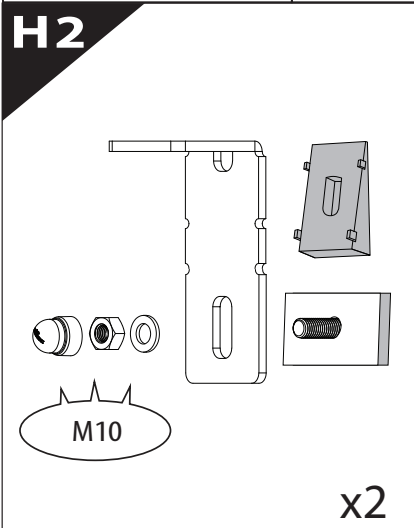
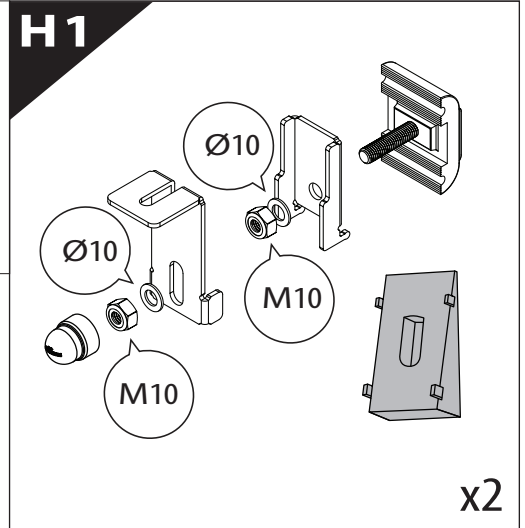
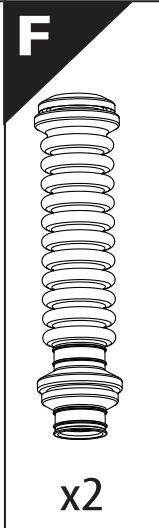
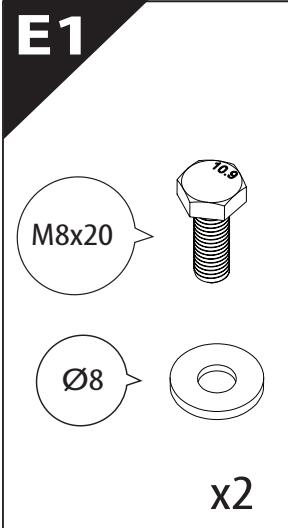
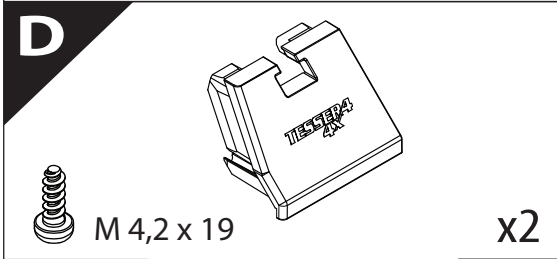
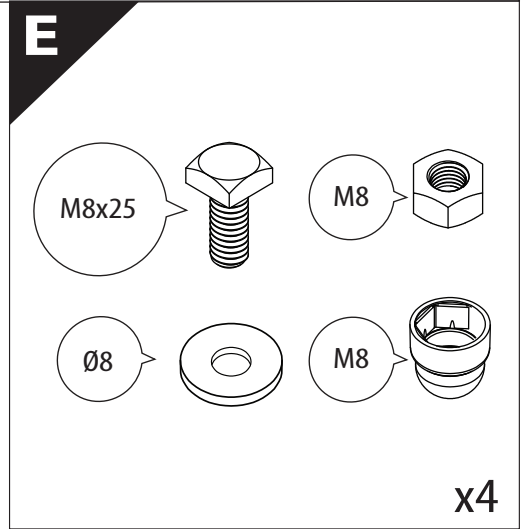
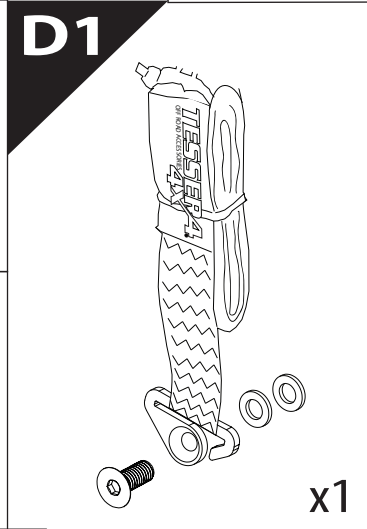
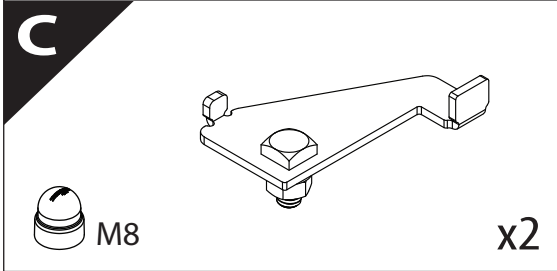
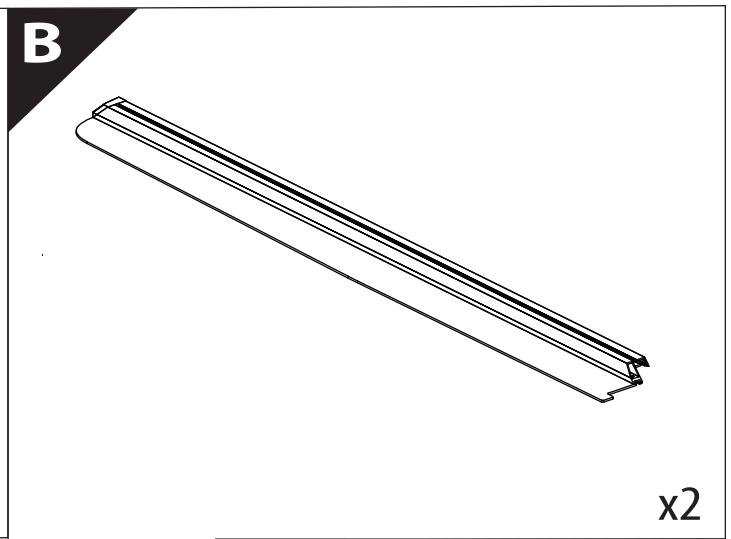
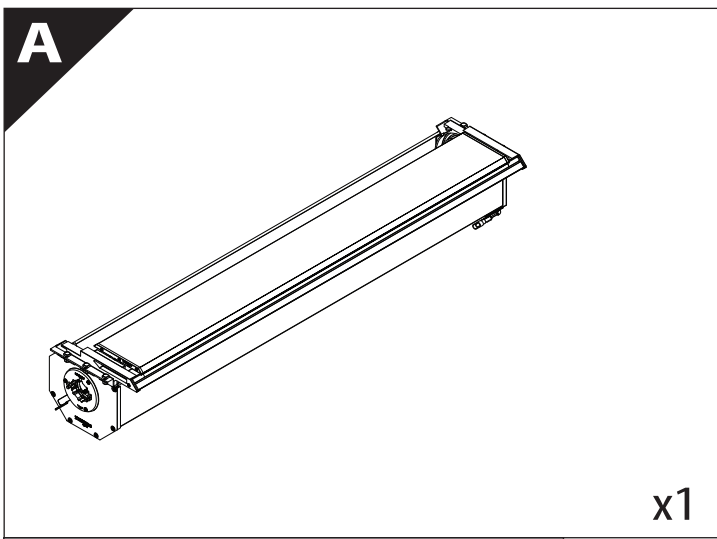
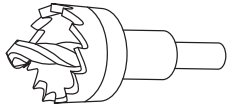


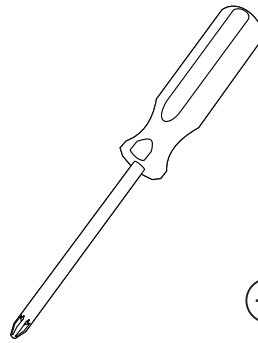
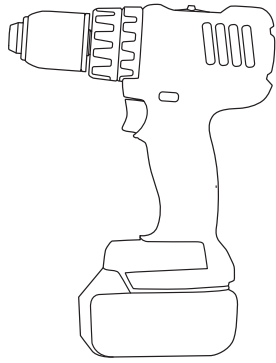
Installation Manual

PART NUMBER(S)	Model Year
TESS 15011 SE	VW AMAROK 2023+ WITH OR WITHOUT C-CHANNELS
Cab(s)	Installation Time / Weight
Double Cab	40-60 minutes / 53-57 kg

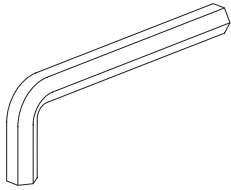
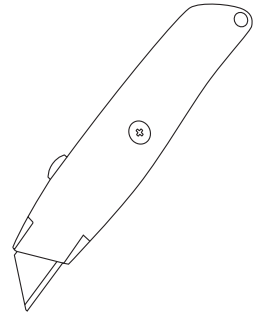




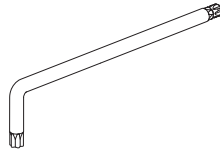
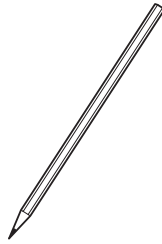
Ø 25 mm



+

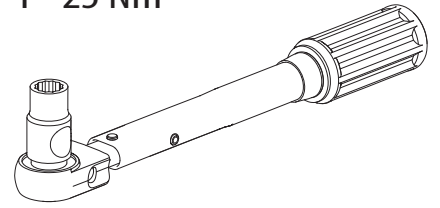


4 mm



T40

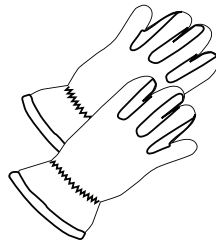
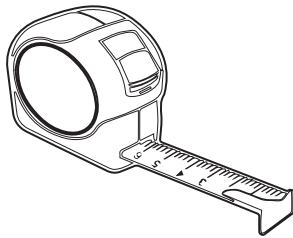
1 - 25 Nm



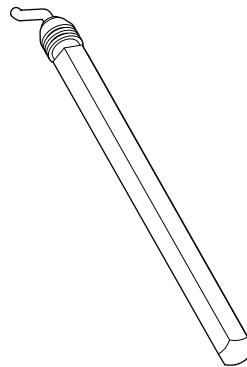
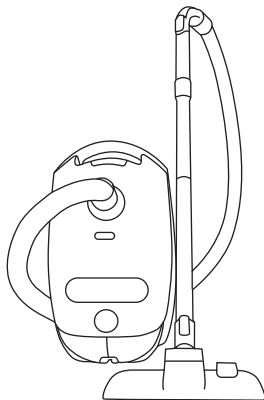
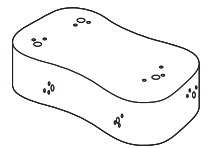
13, 17 mm



ACETONE



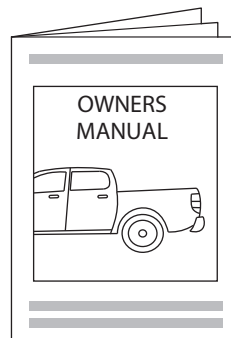
H₂O



ANTI-RUST

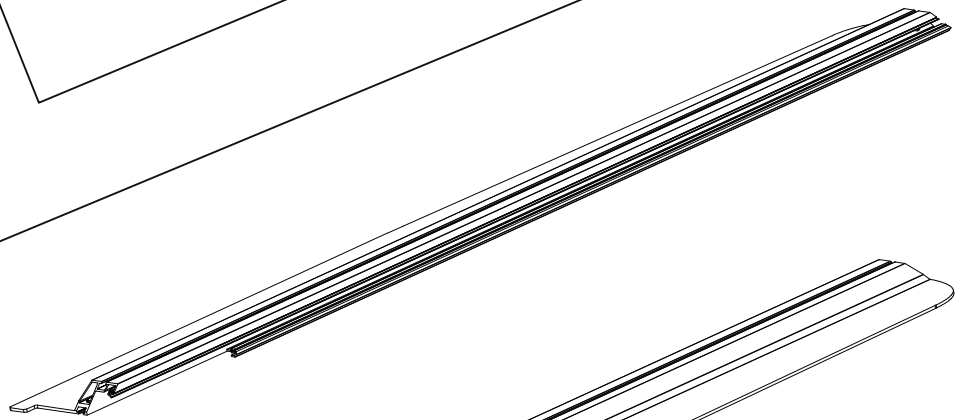
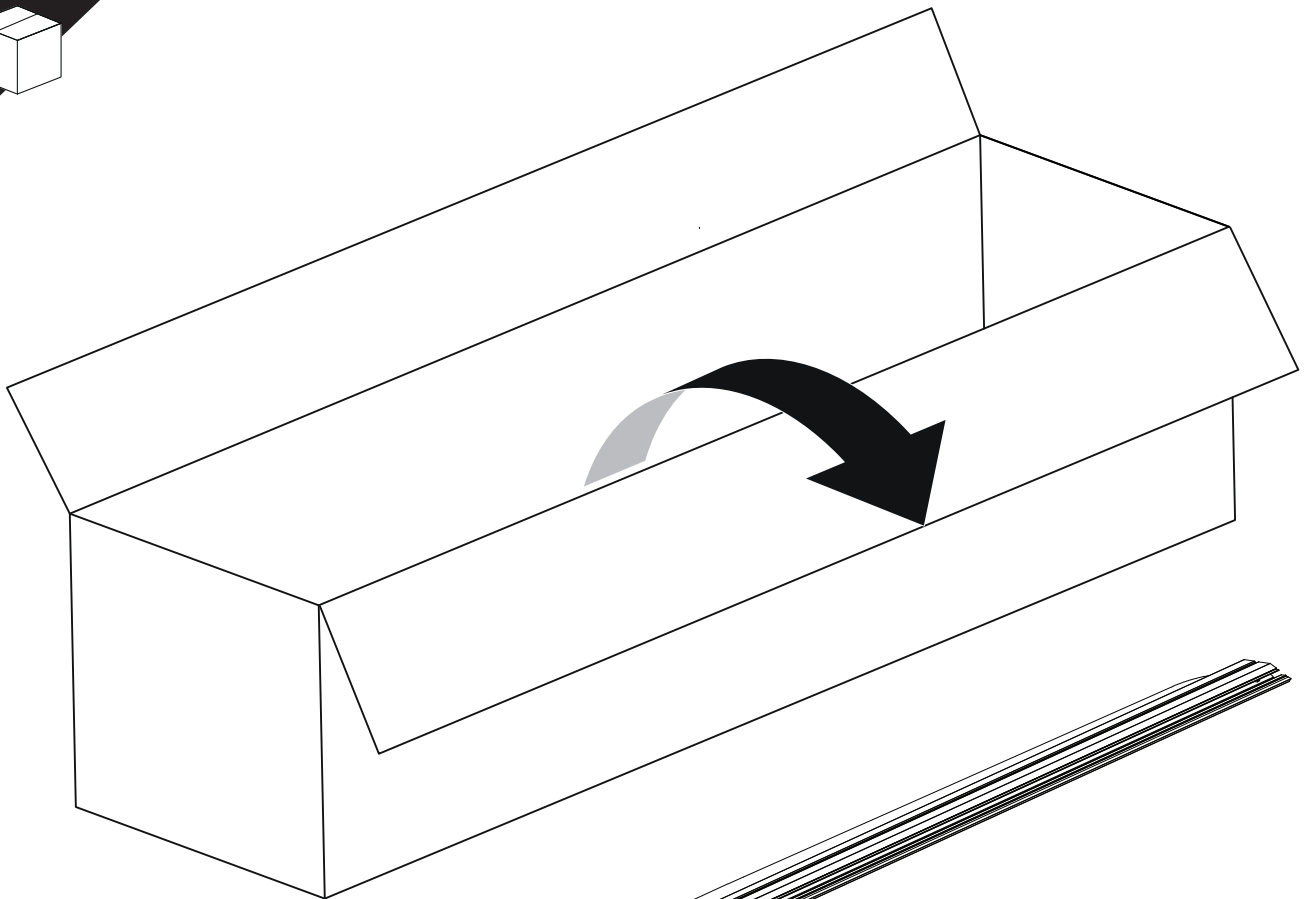


INSTALLATION
MANUAL

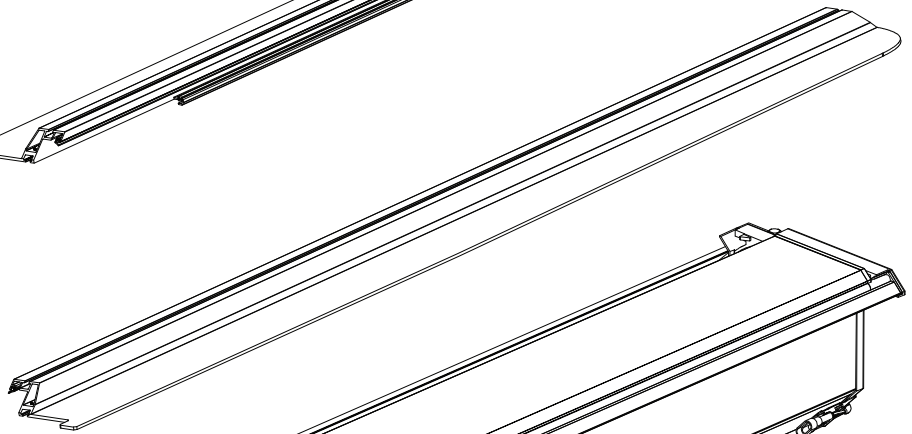


OWNERS
MANUAL

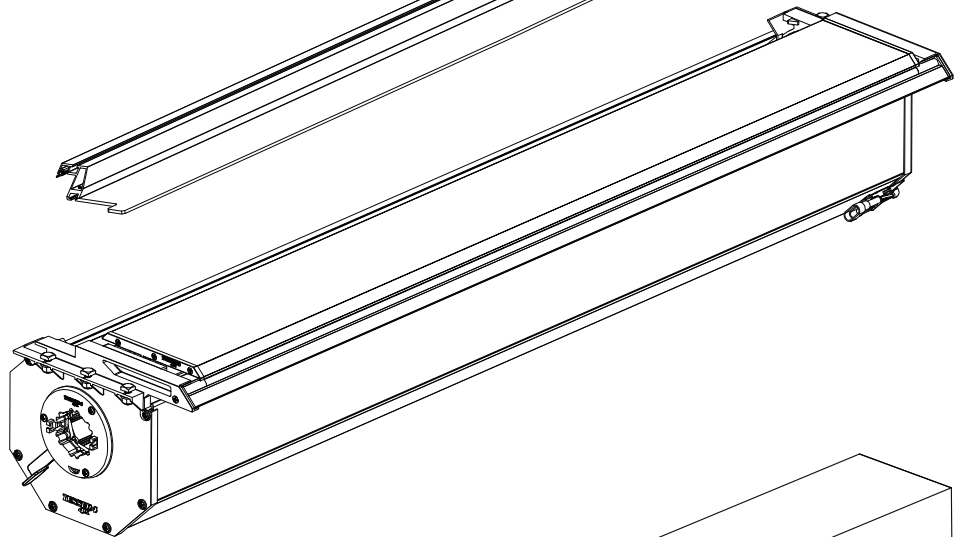
x1



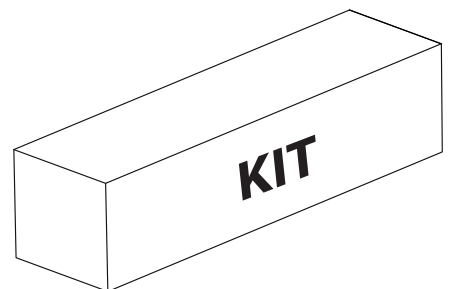
B



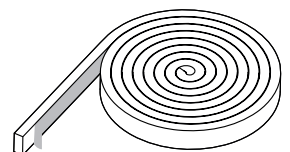
A

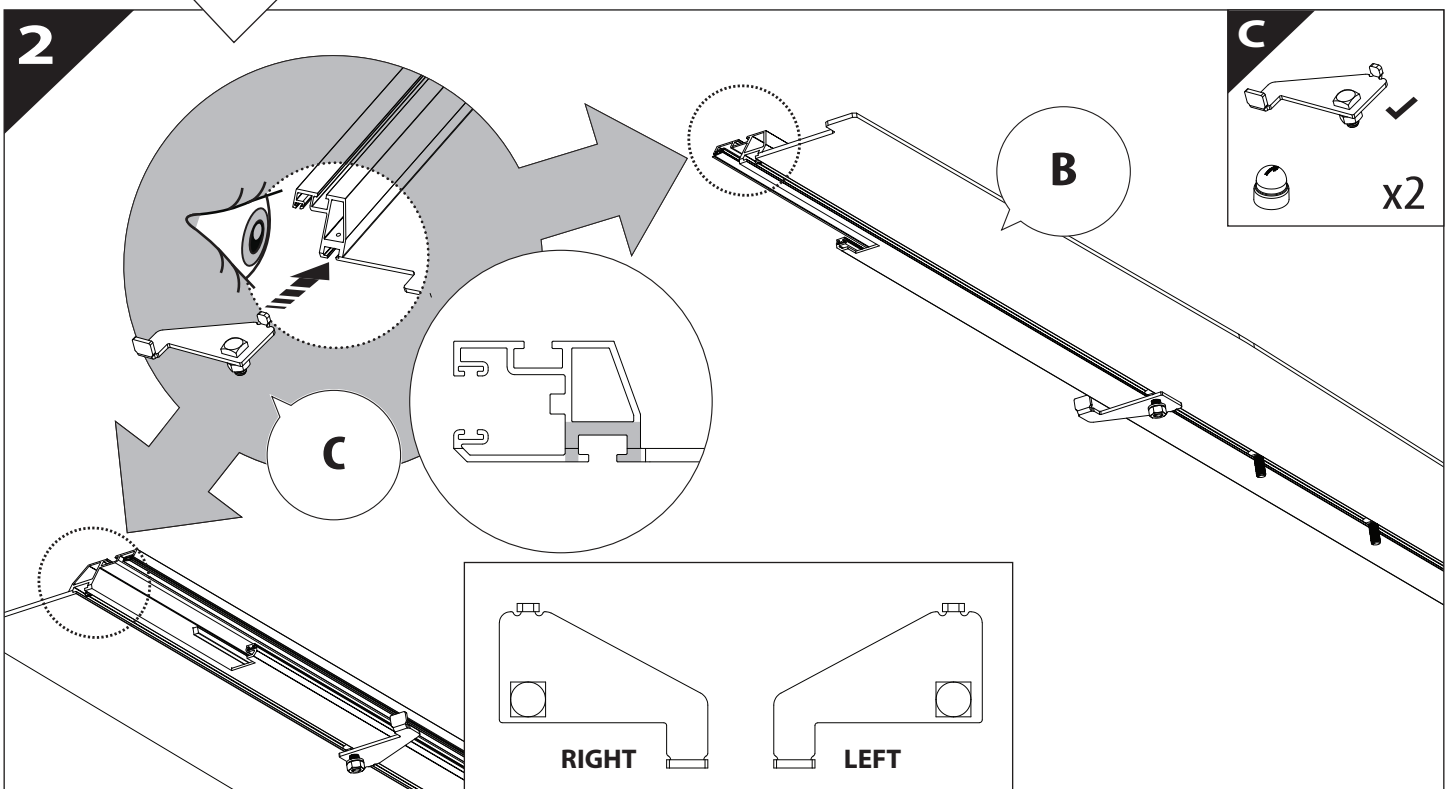
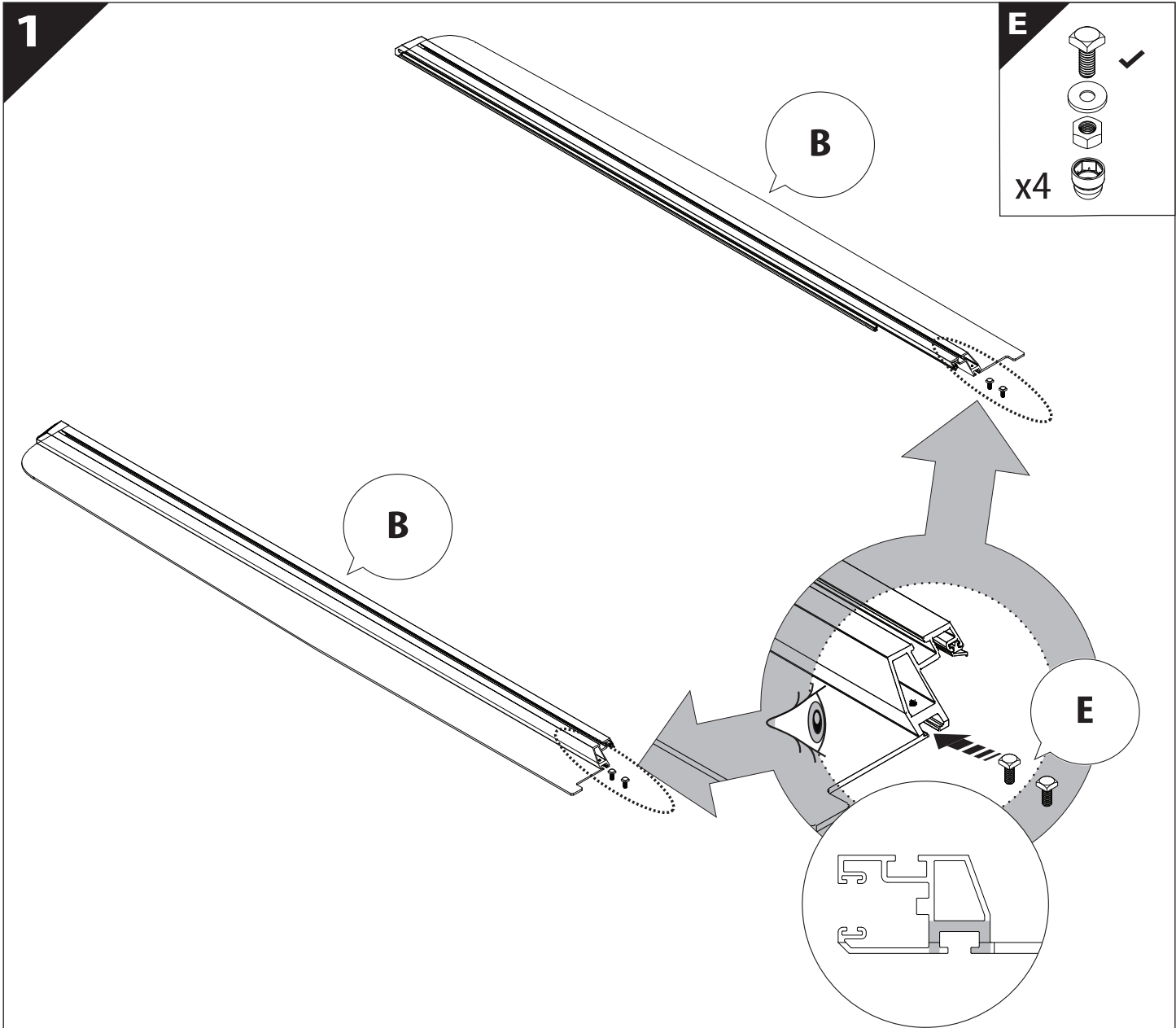


KITS

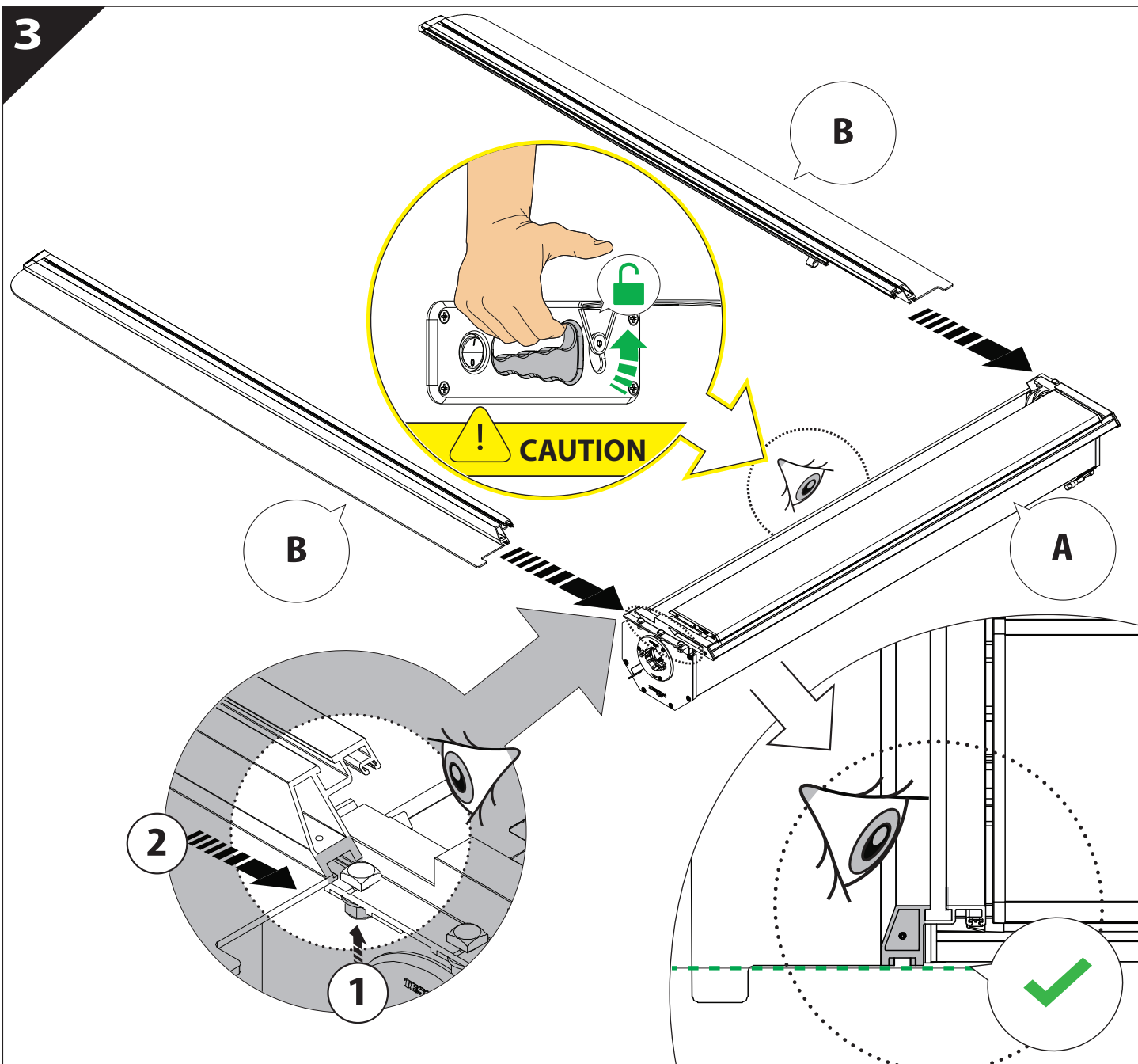


G

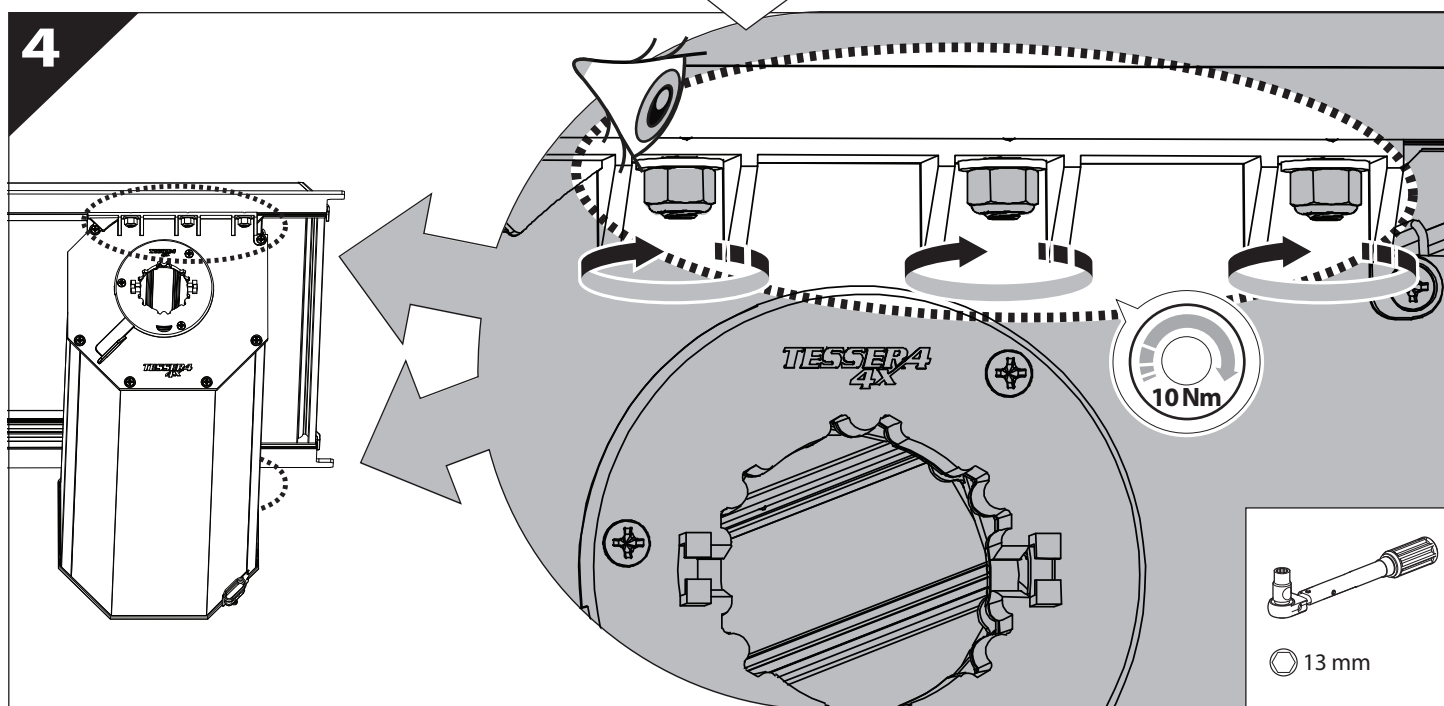




3

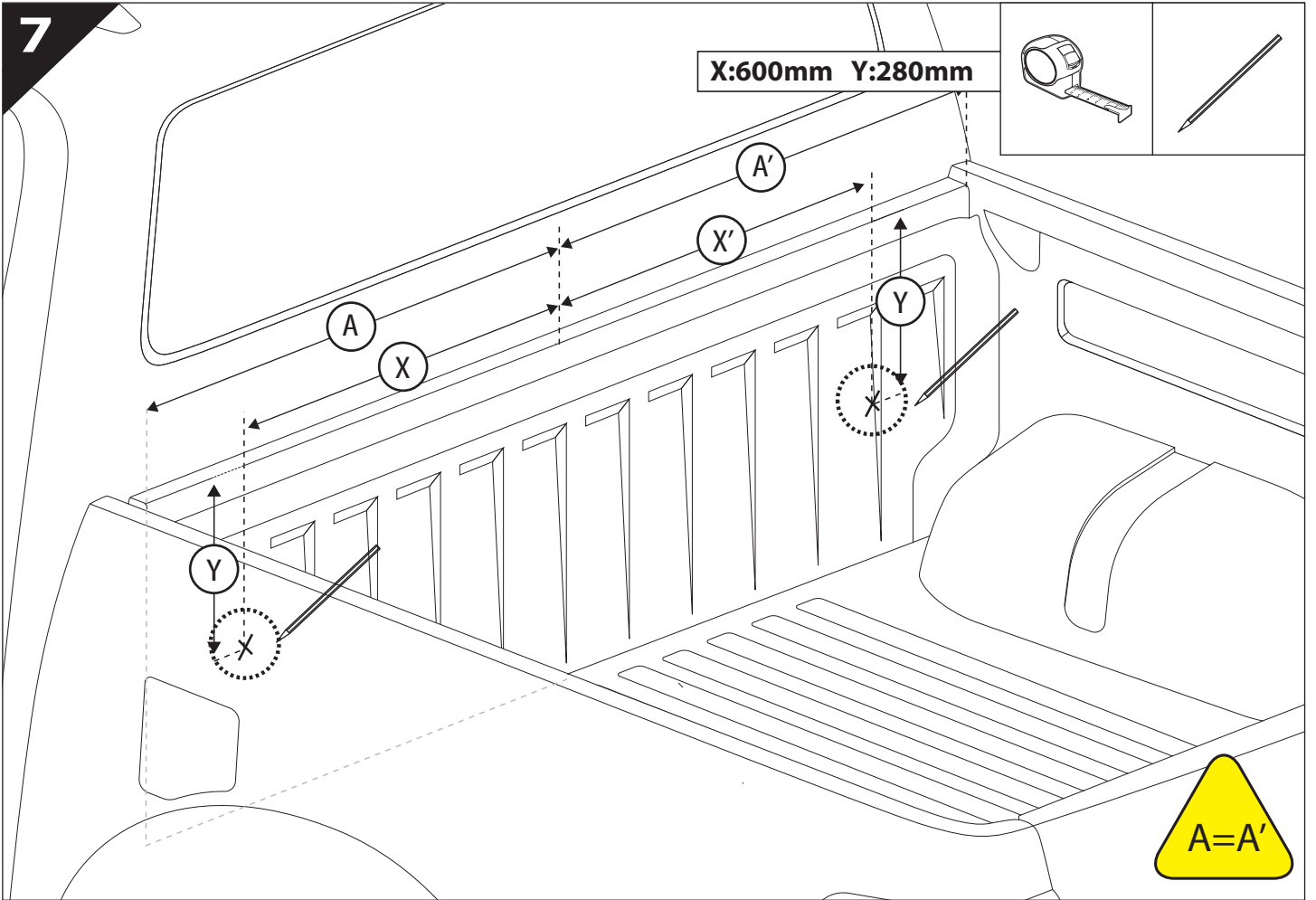
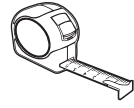


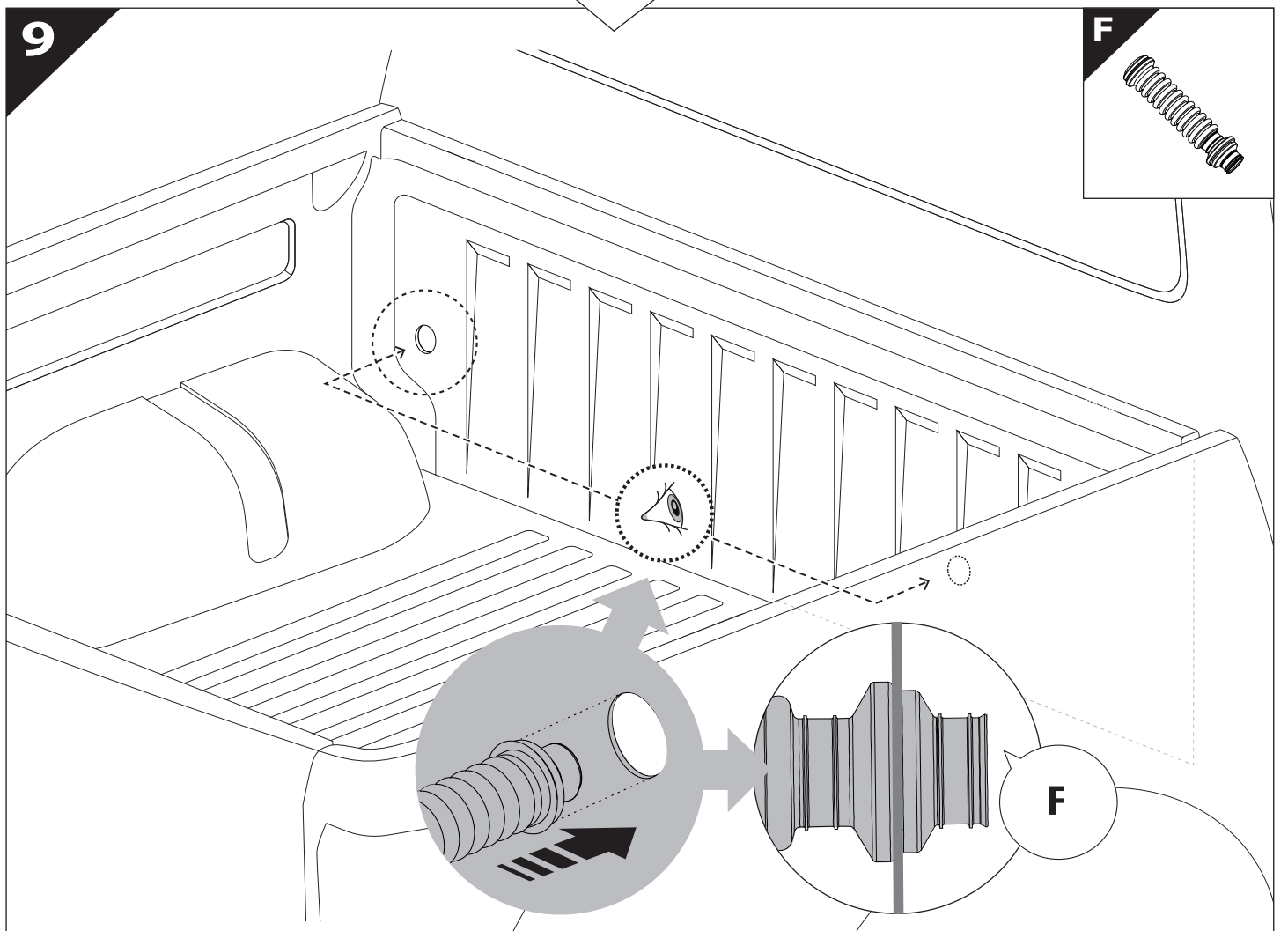
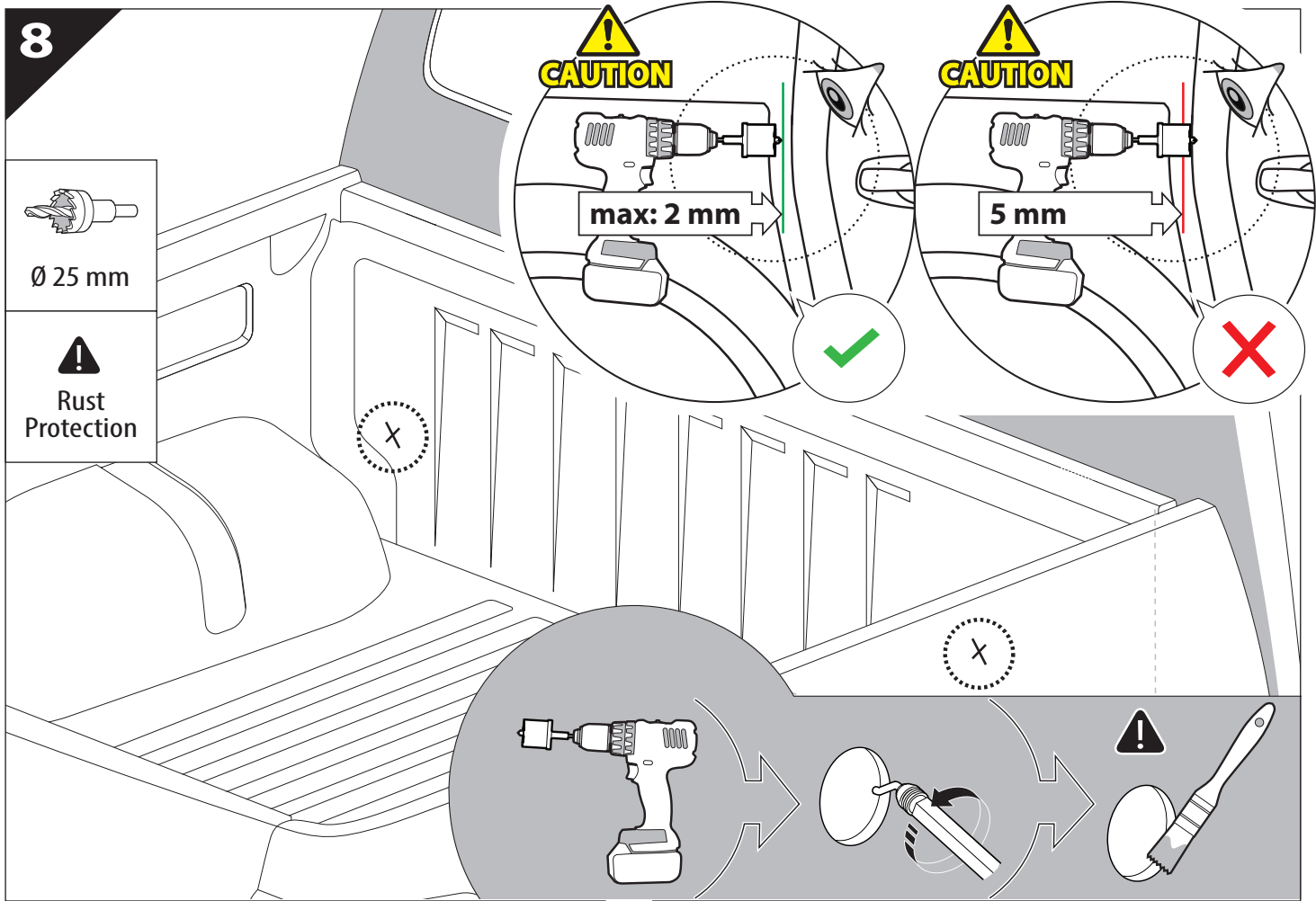
4



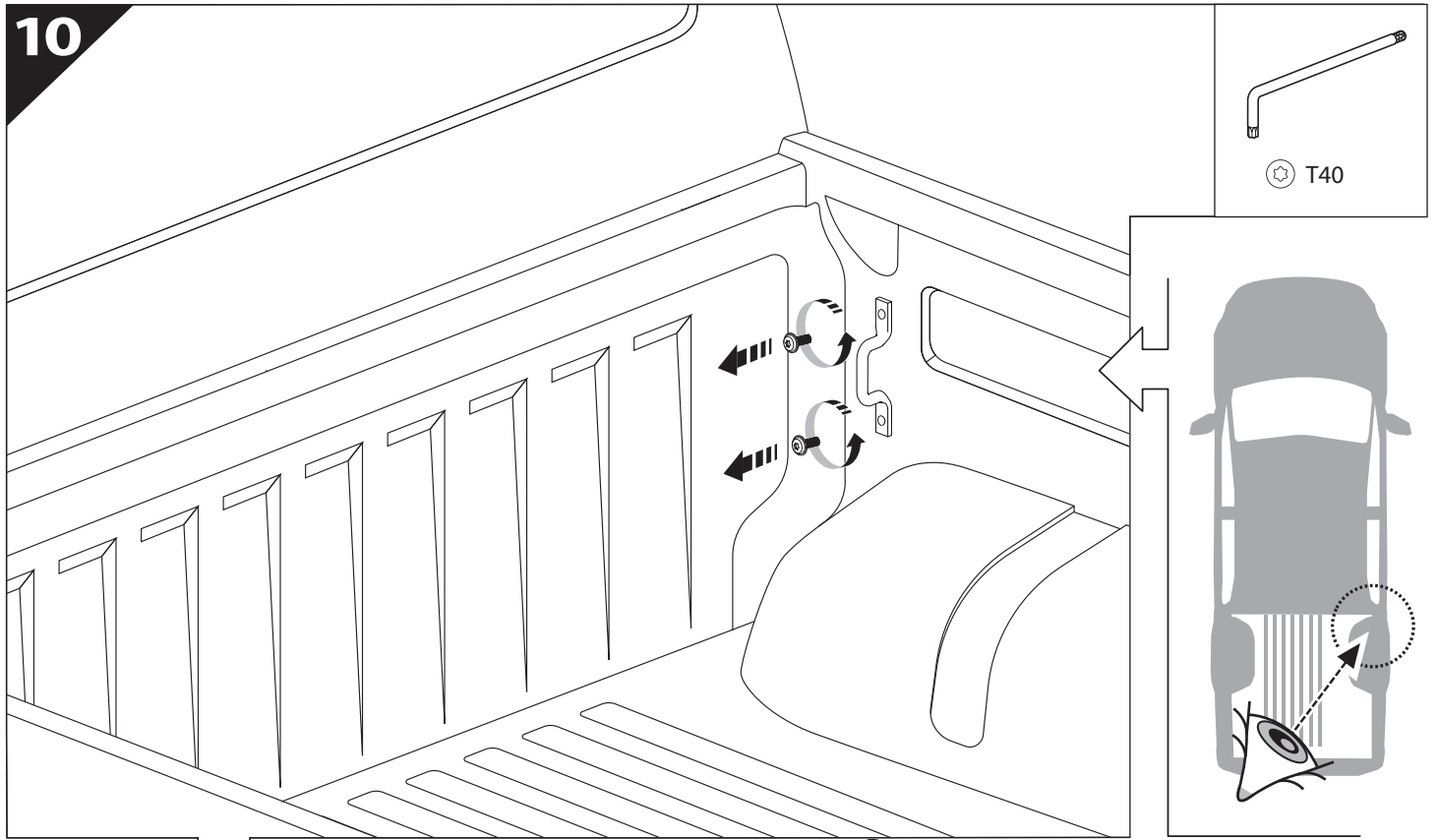
7

X:600mm Y:280mm

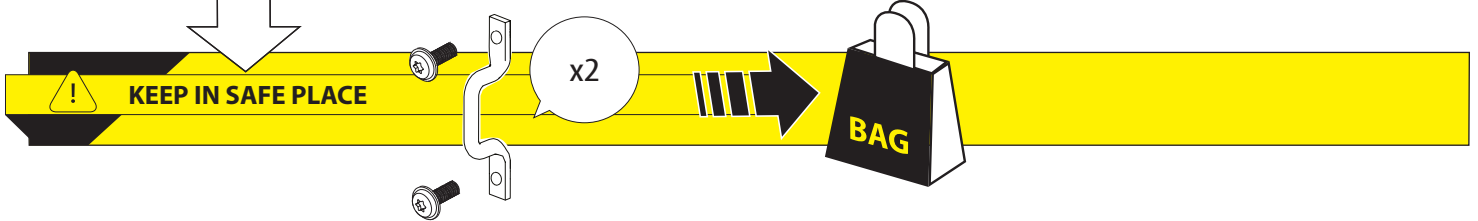




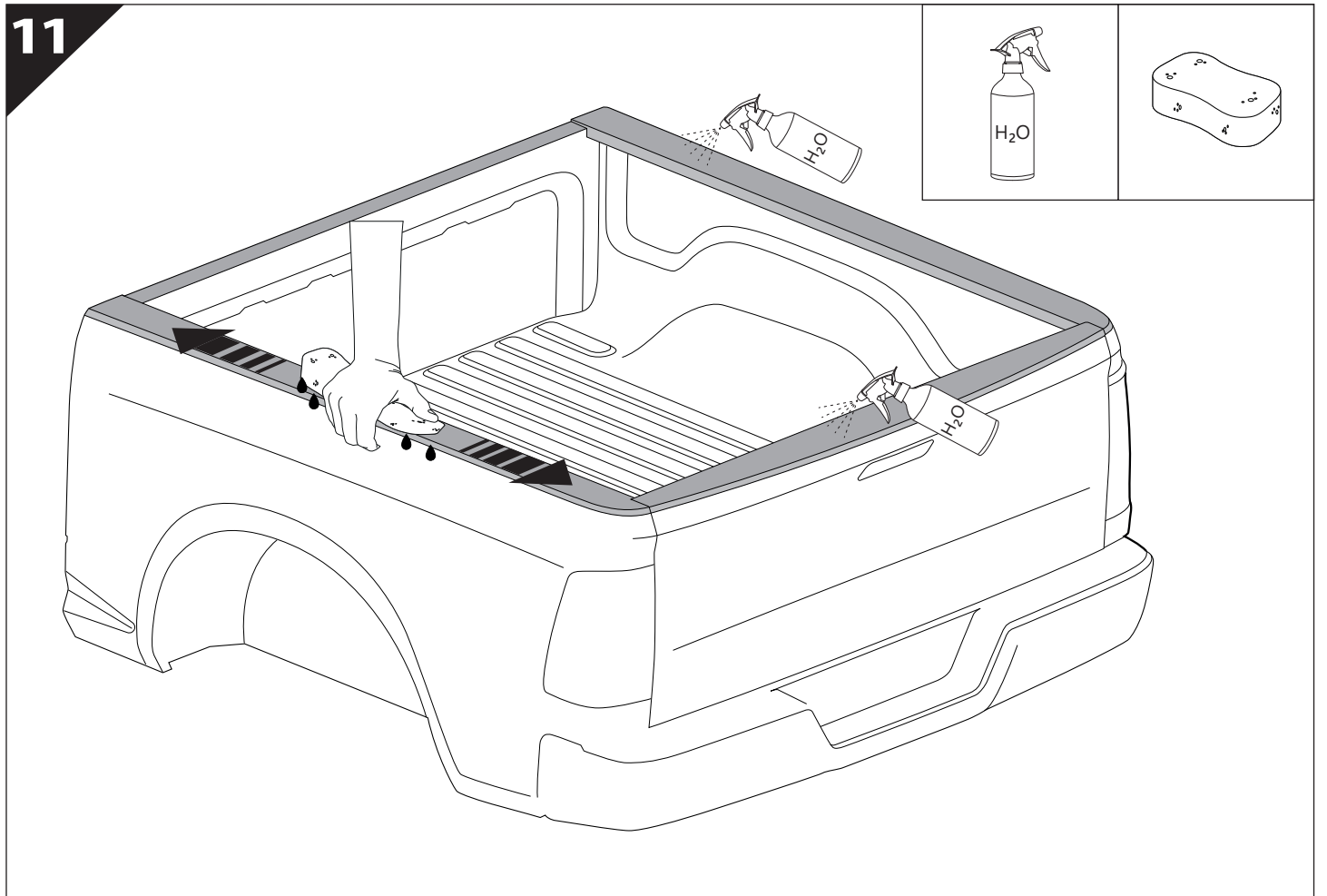
10

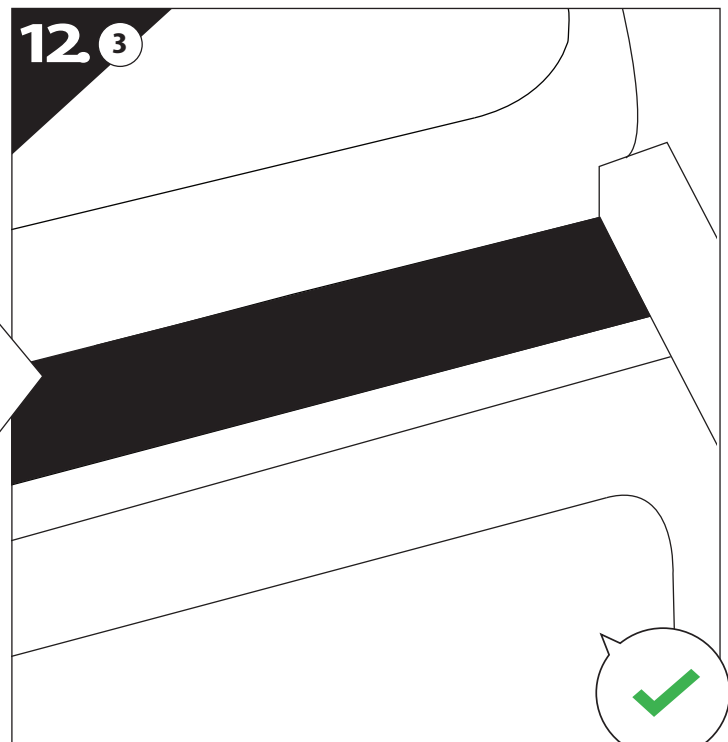
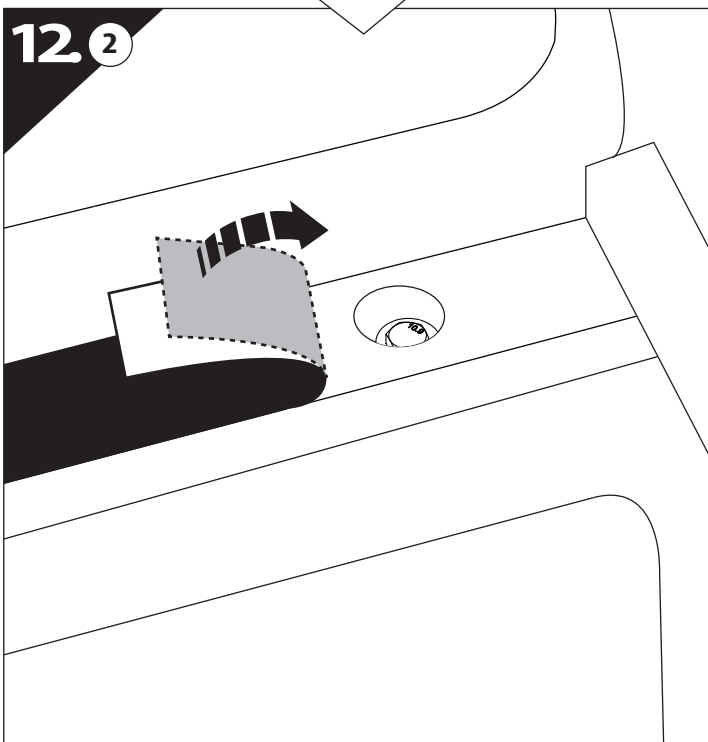
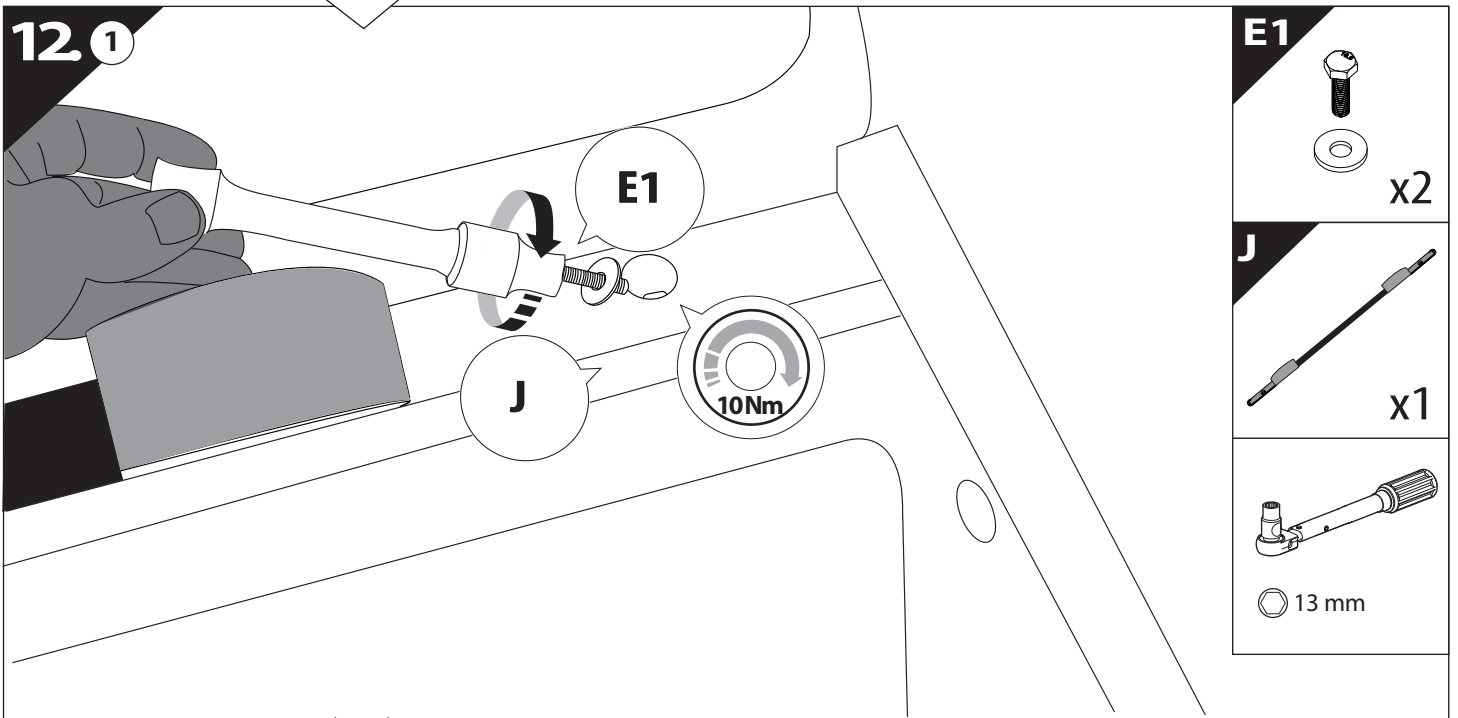
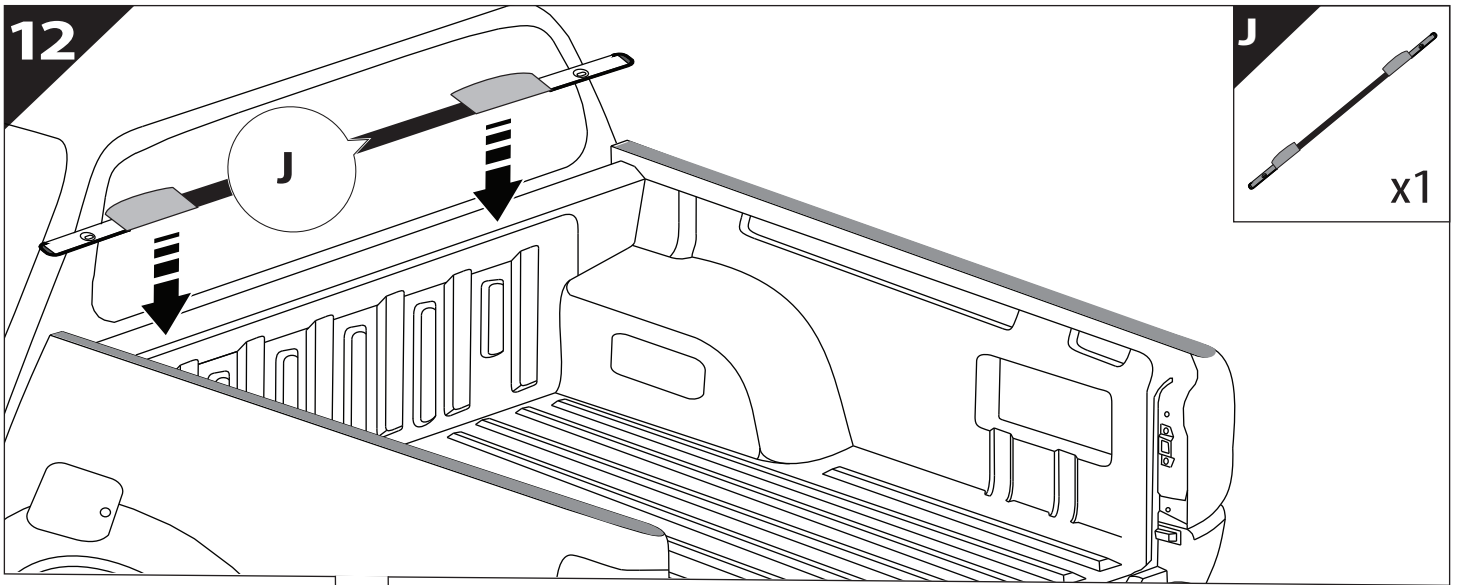


T40



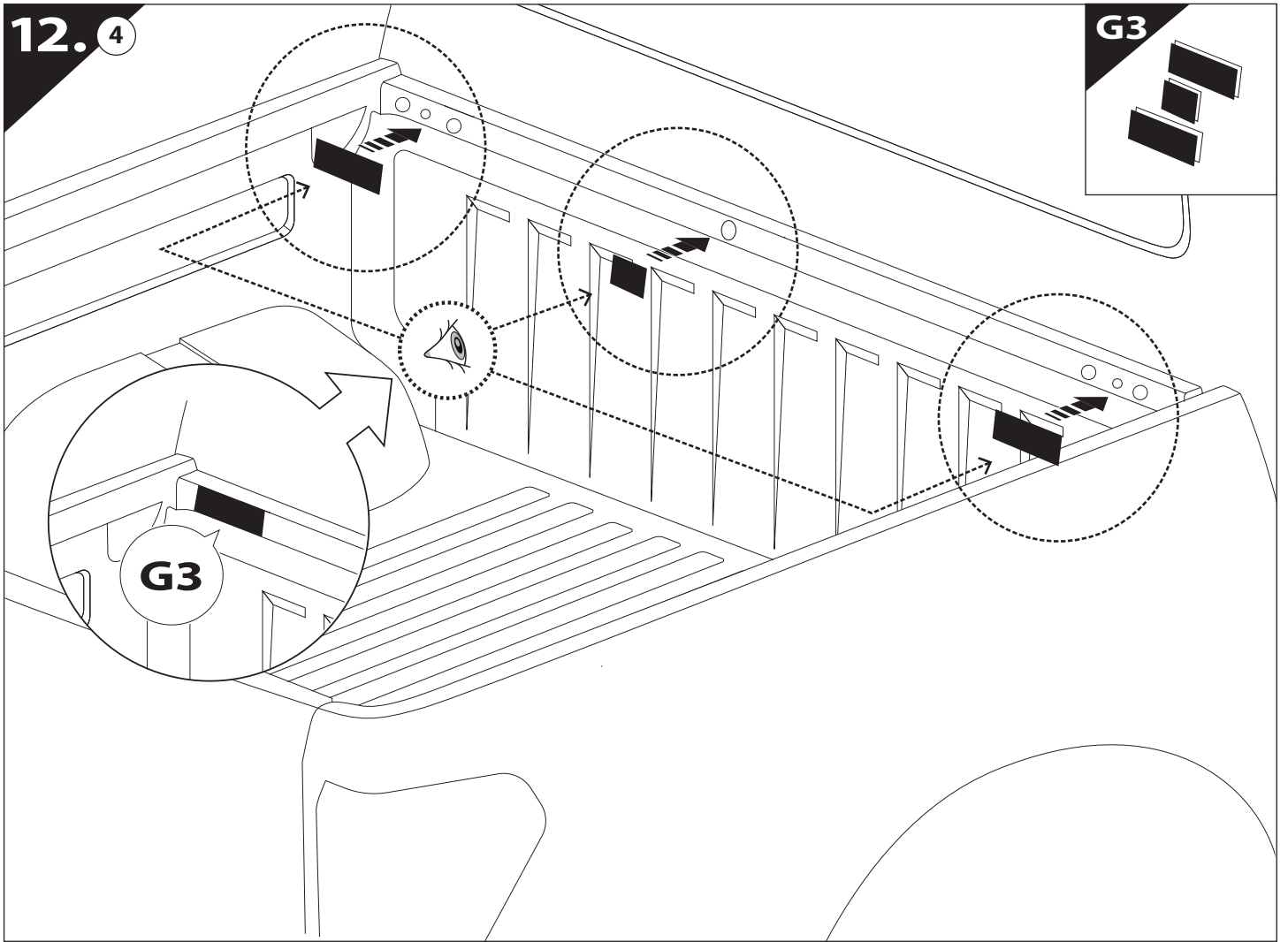
11

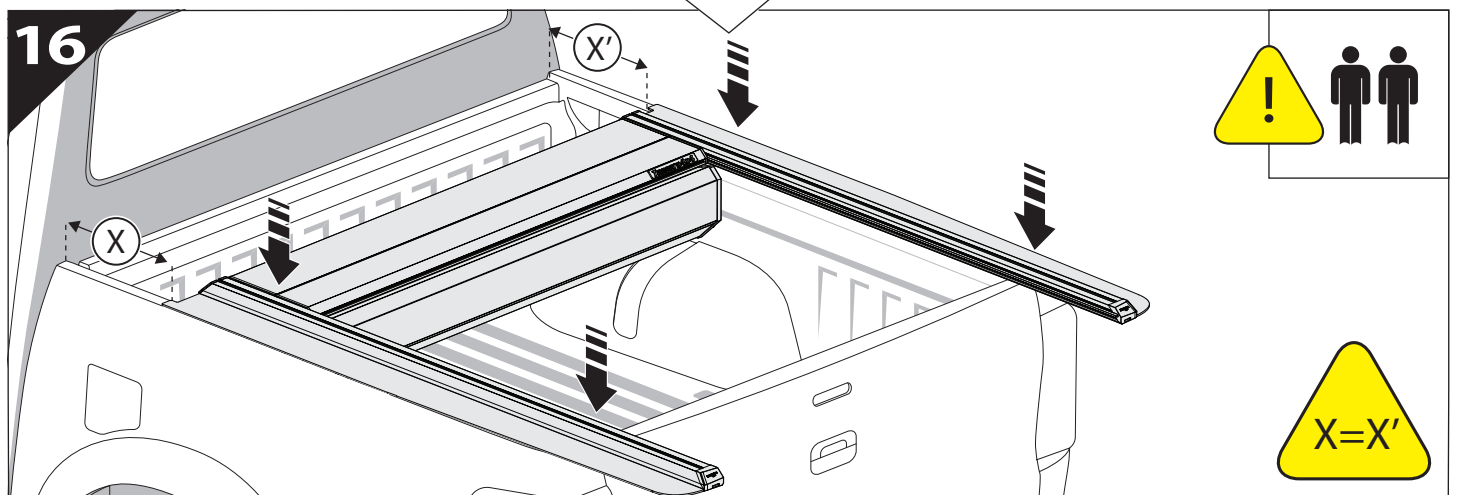
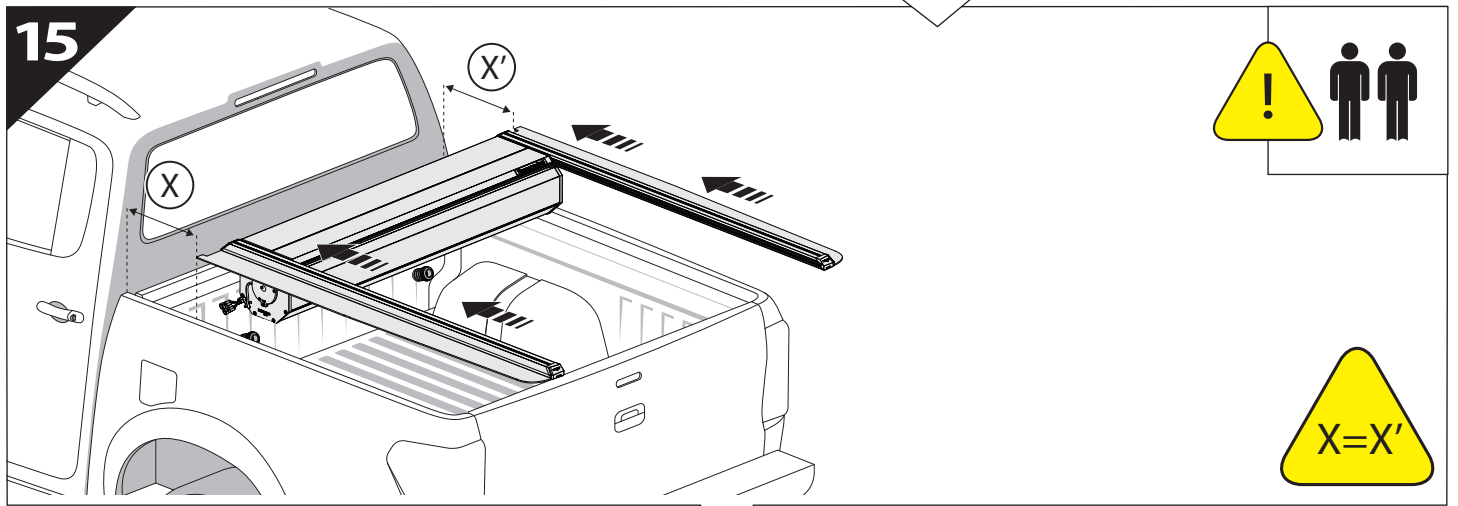
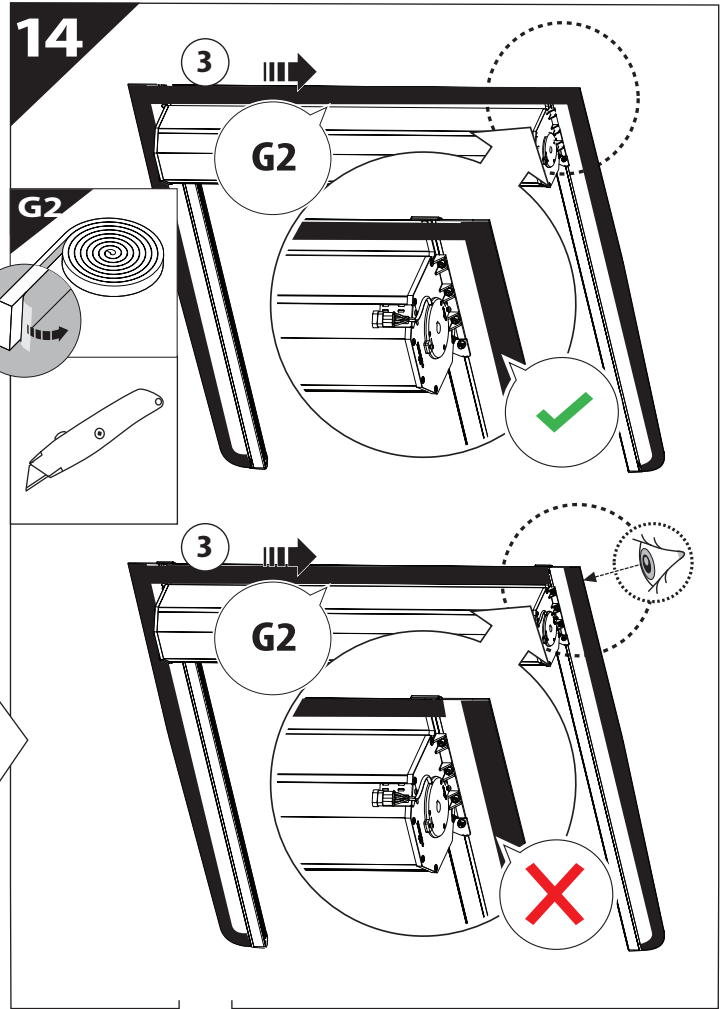
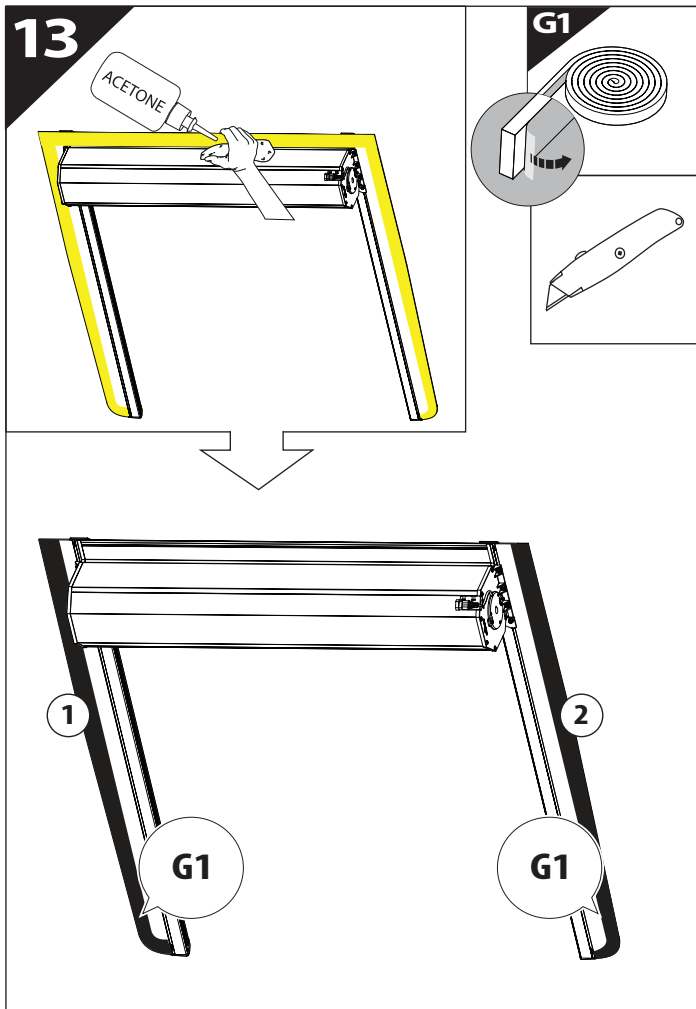




12.4

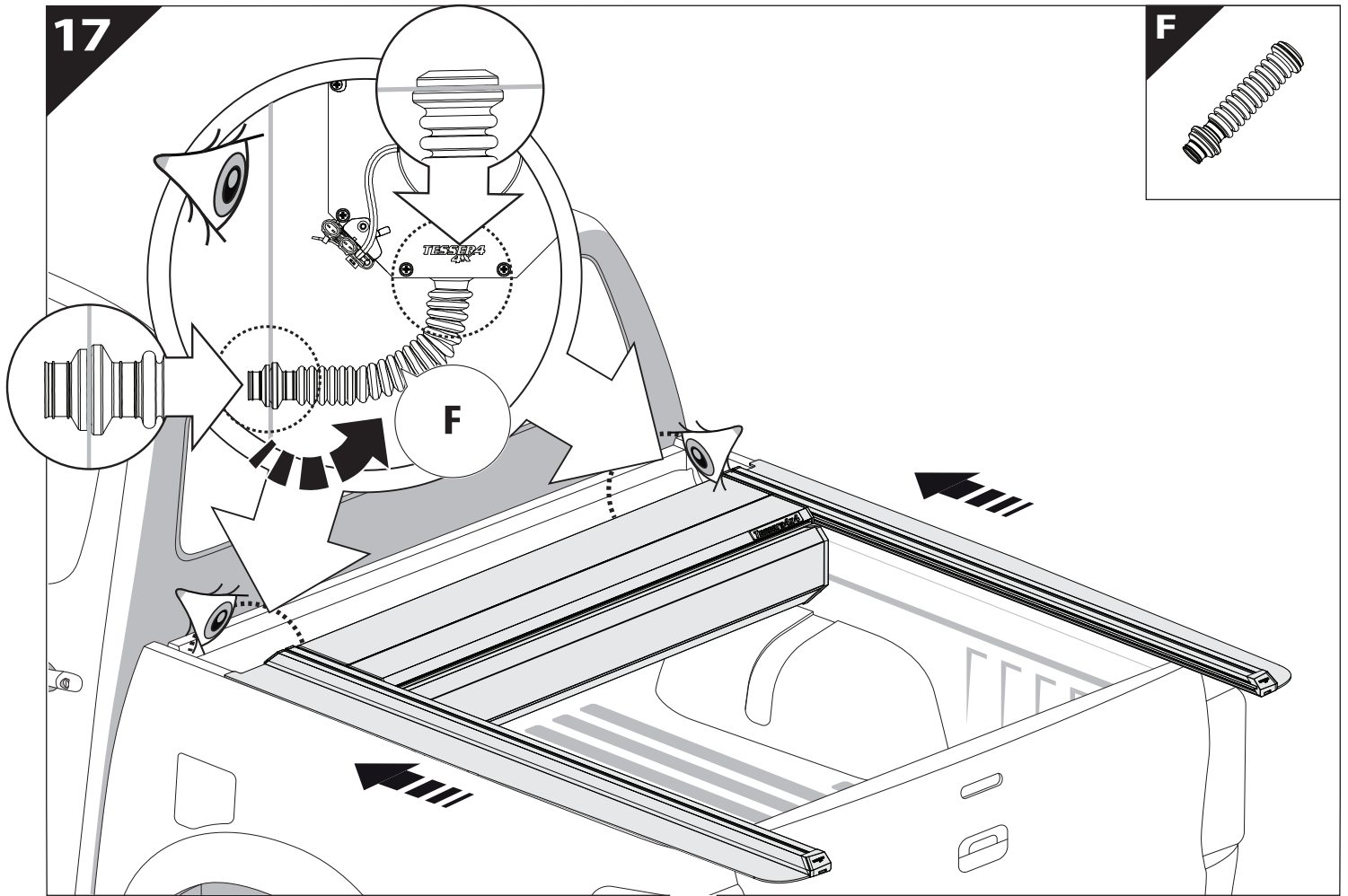
G3



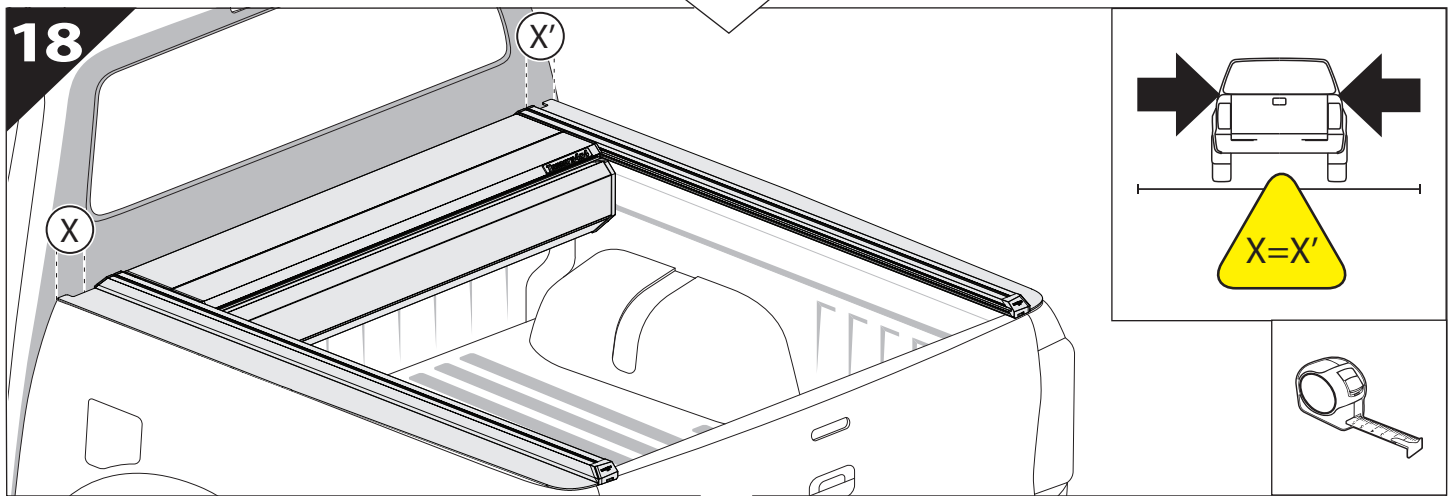


17

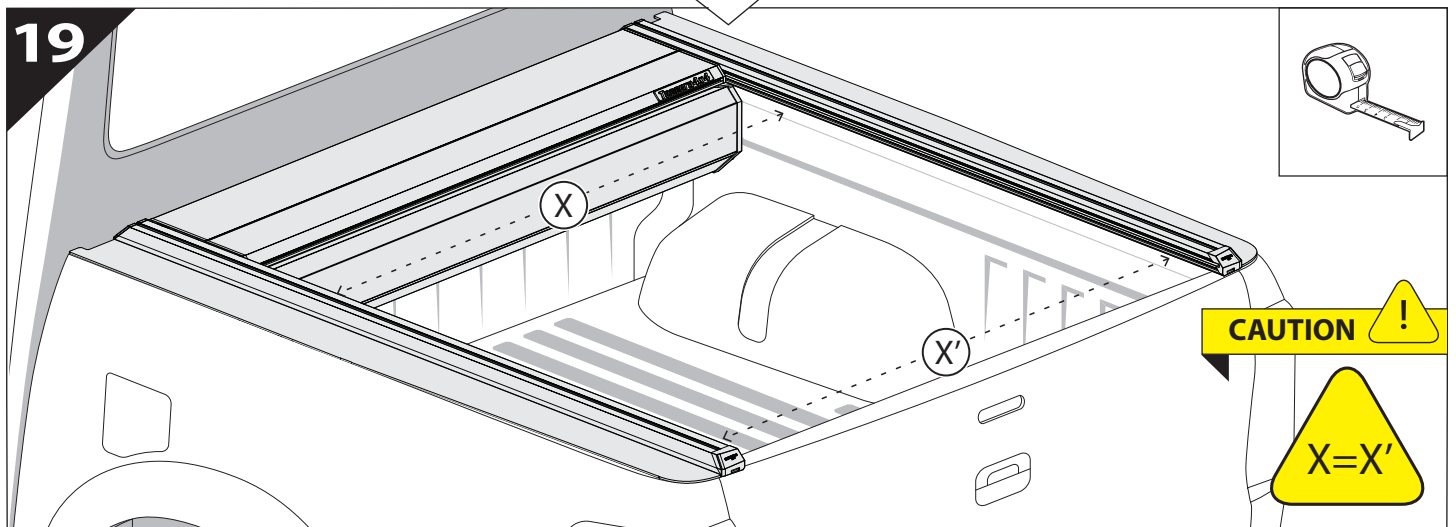
F



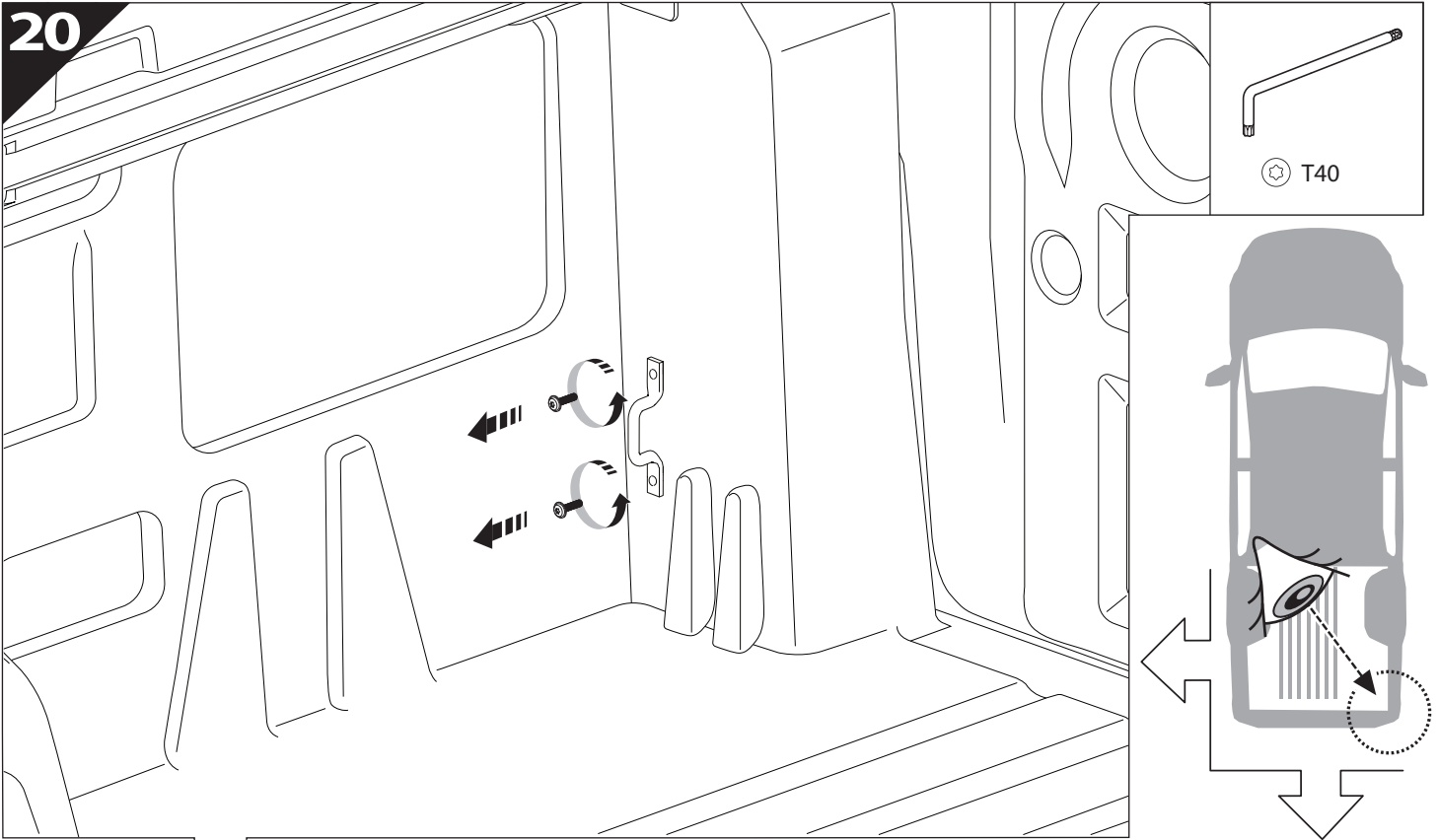
18



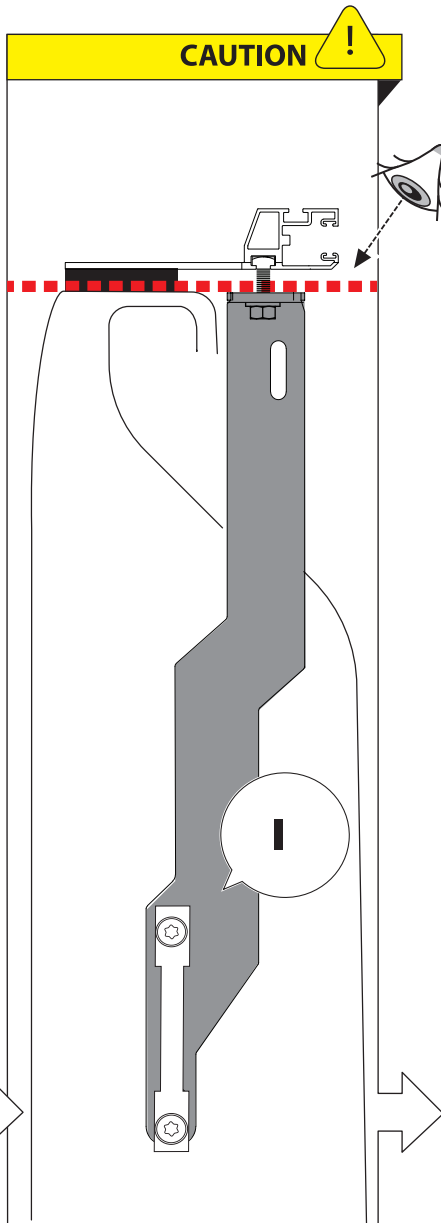
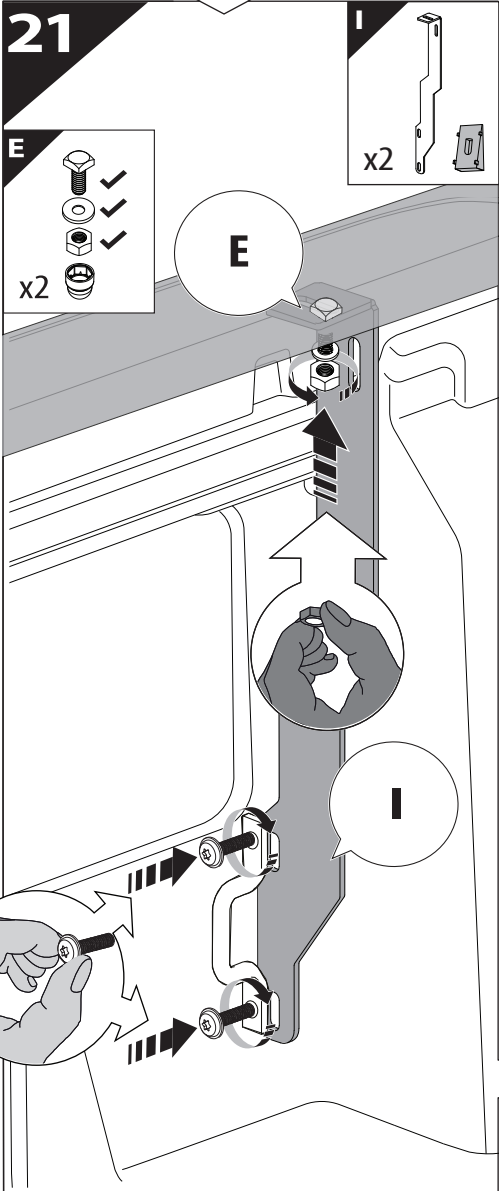
19



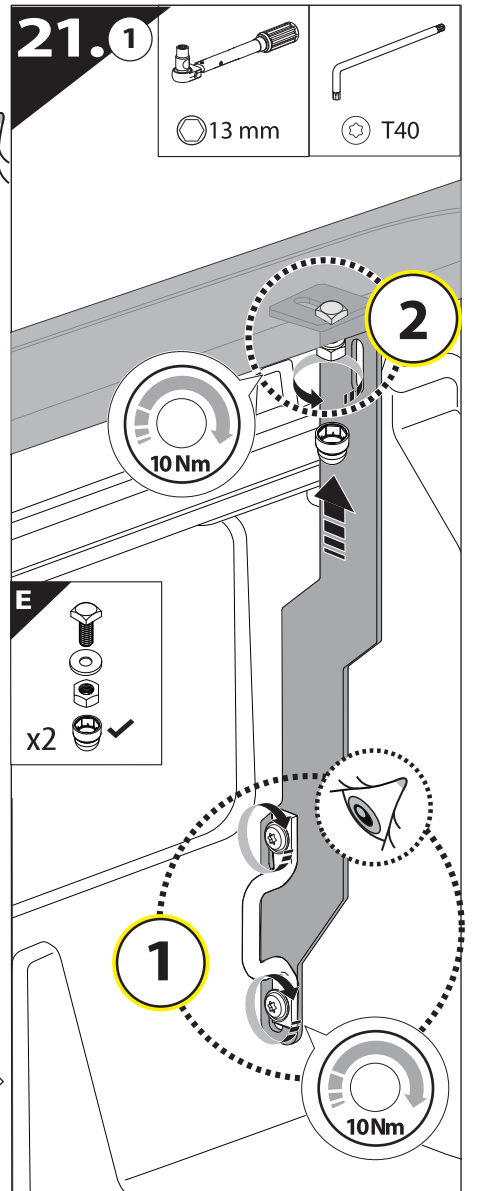
20



21



21.1



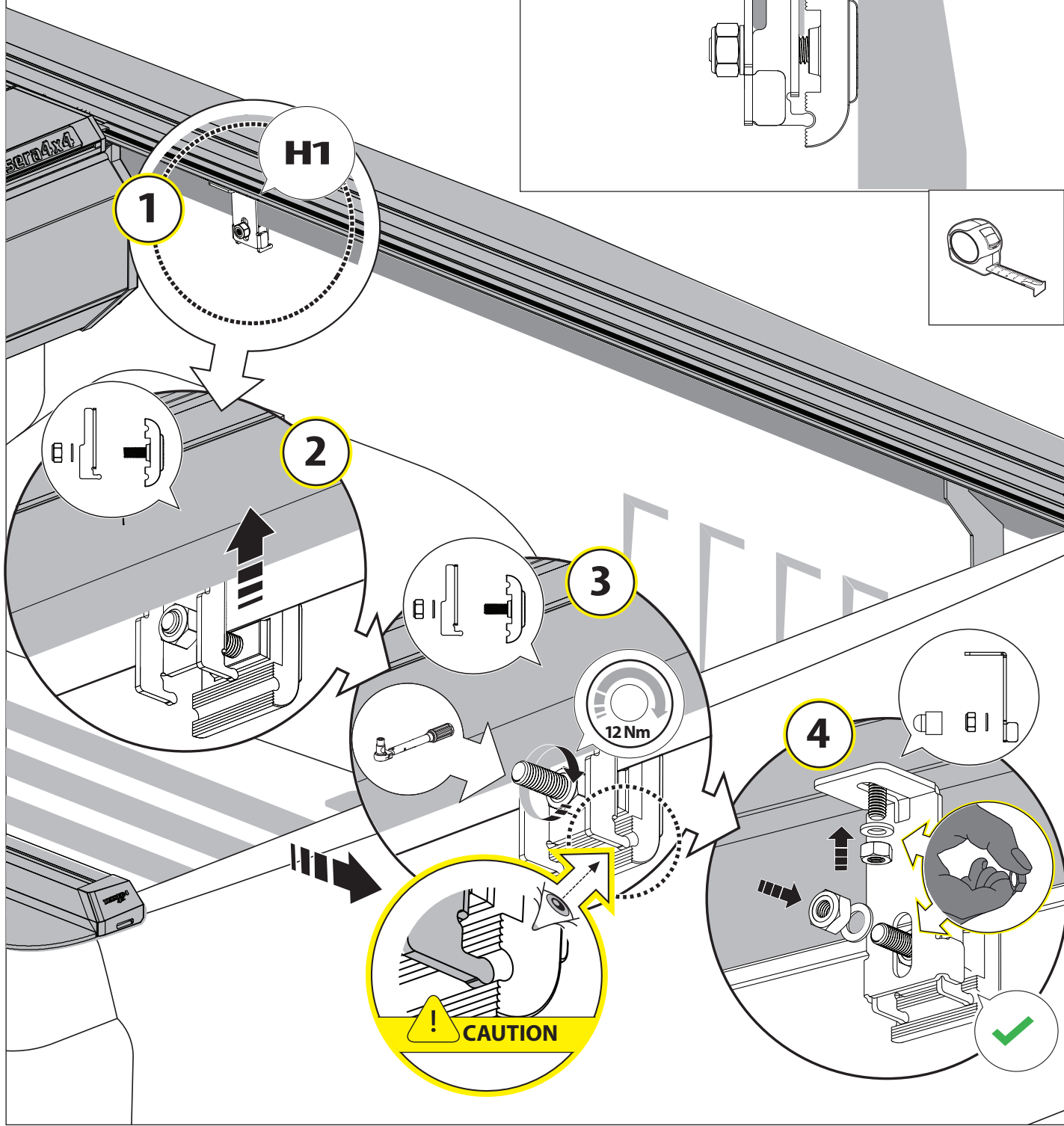
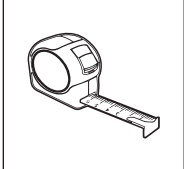
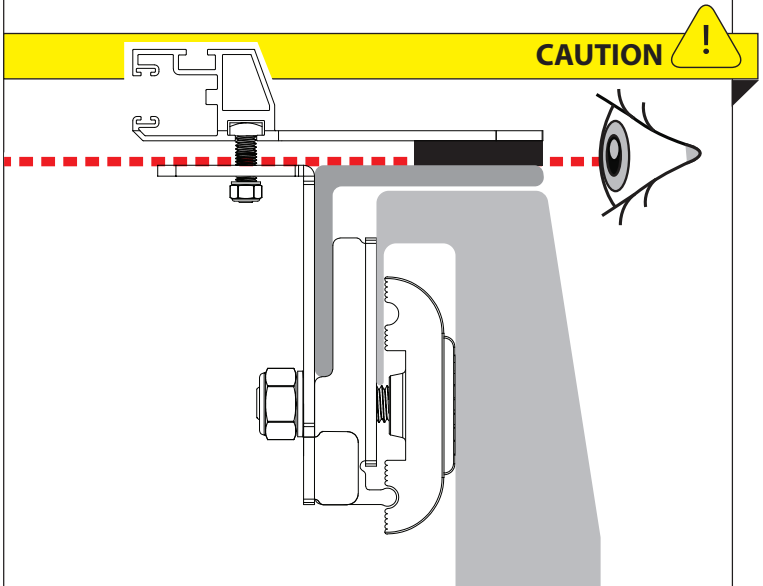
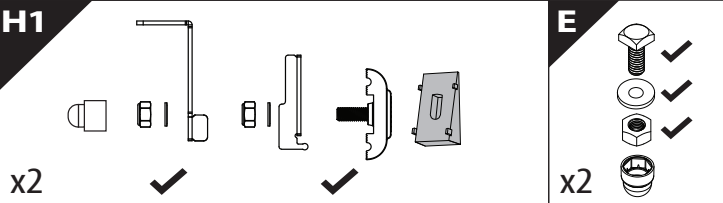
22 A

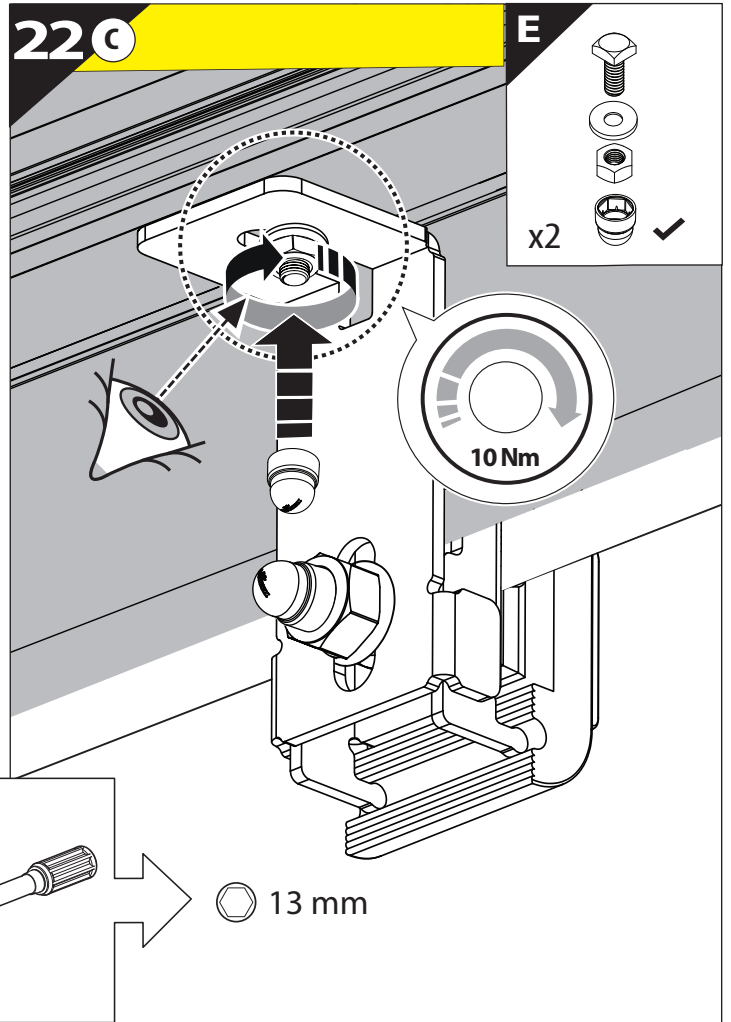
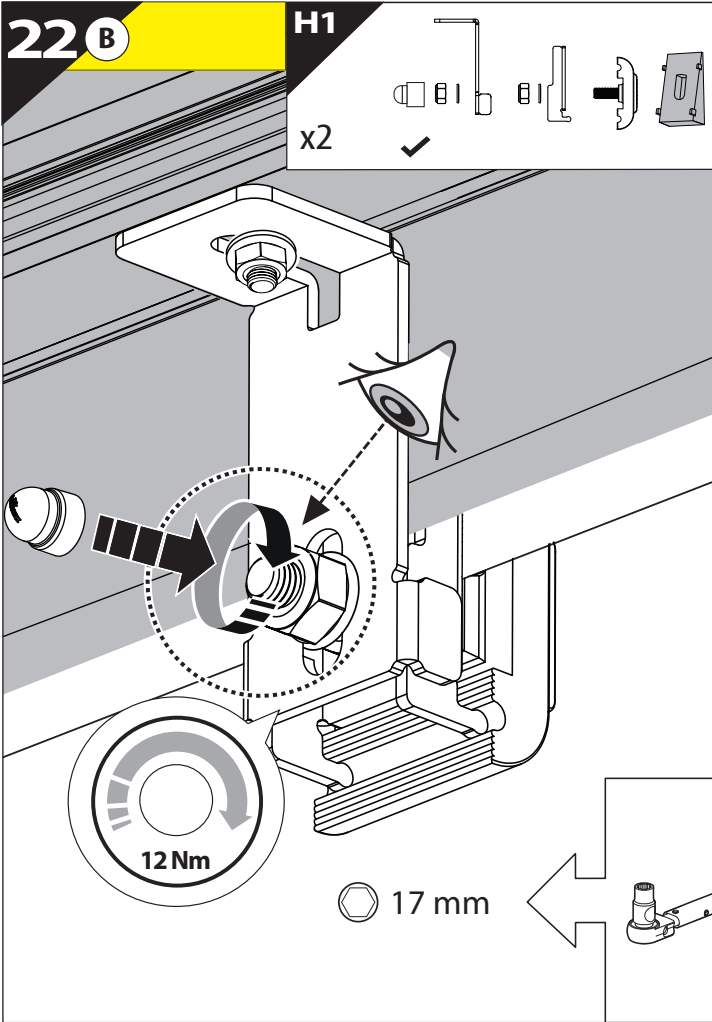


WITHOUT C - CHANNELS

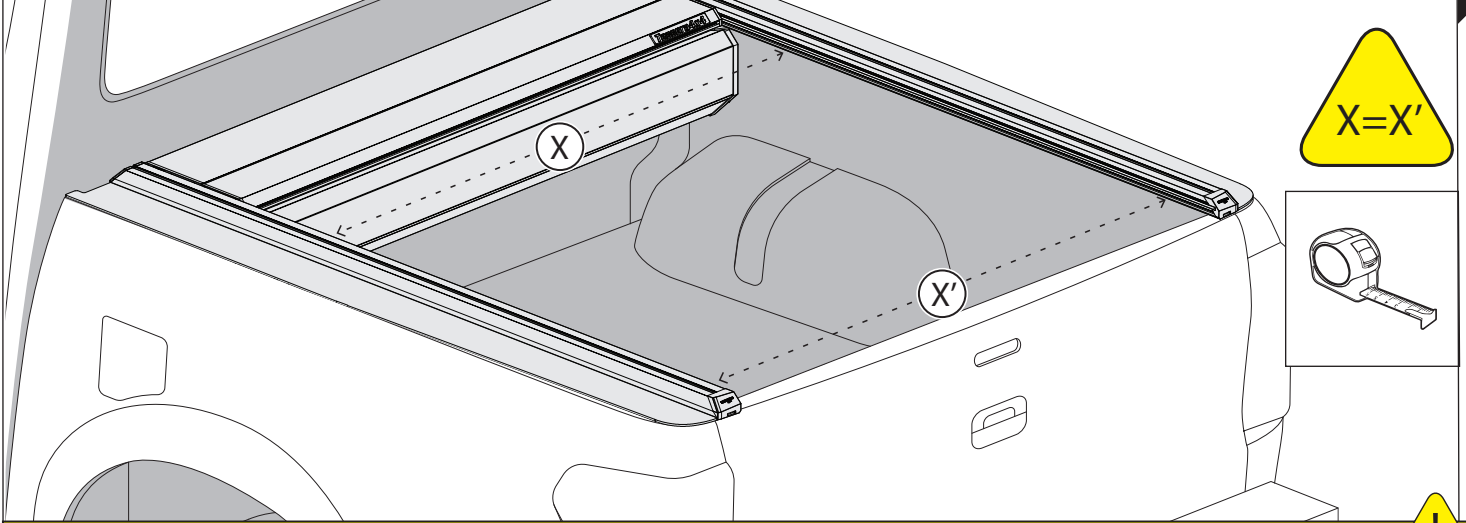
H1

E

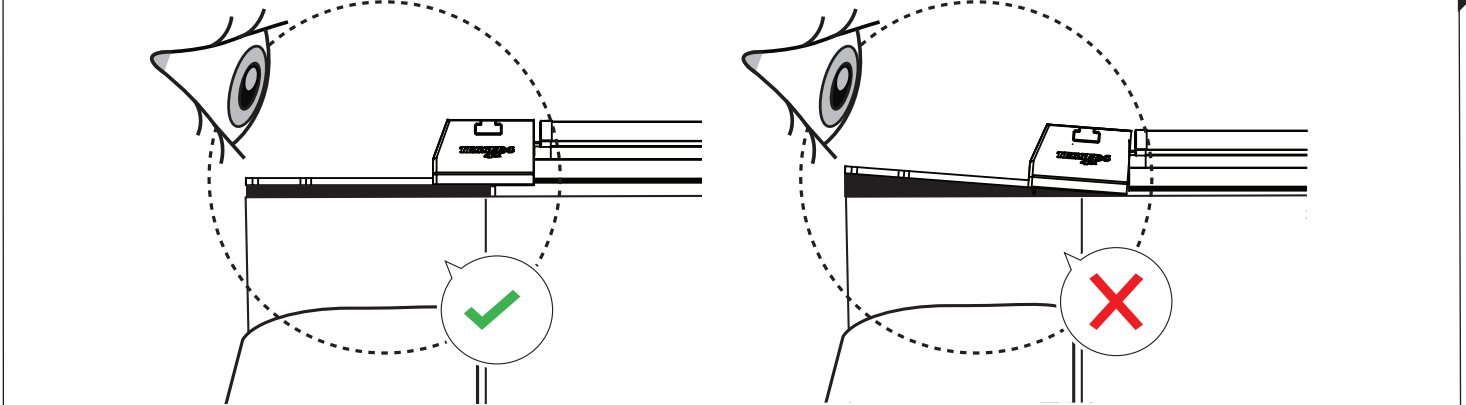




CAUTION !



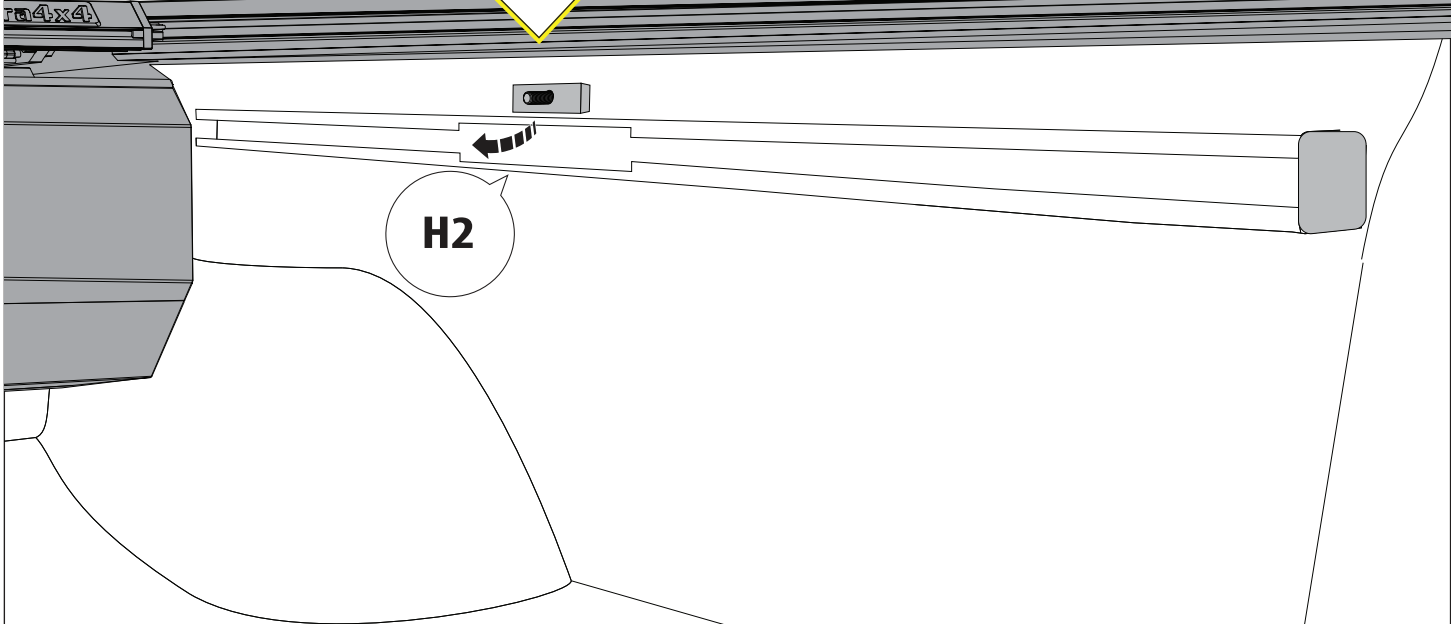
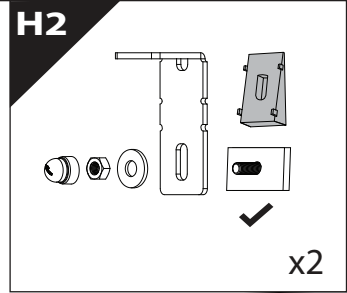
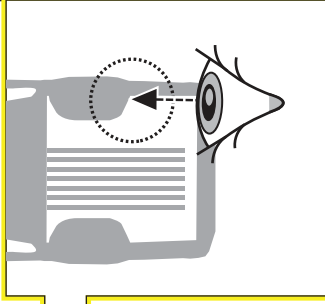
CAUTION !



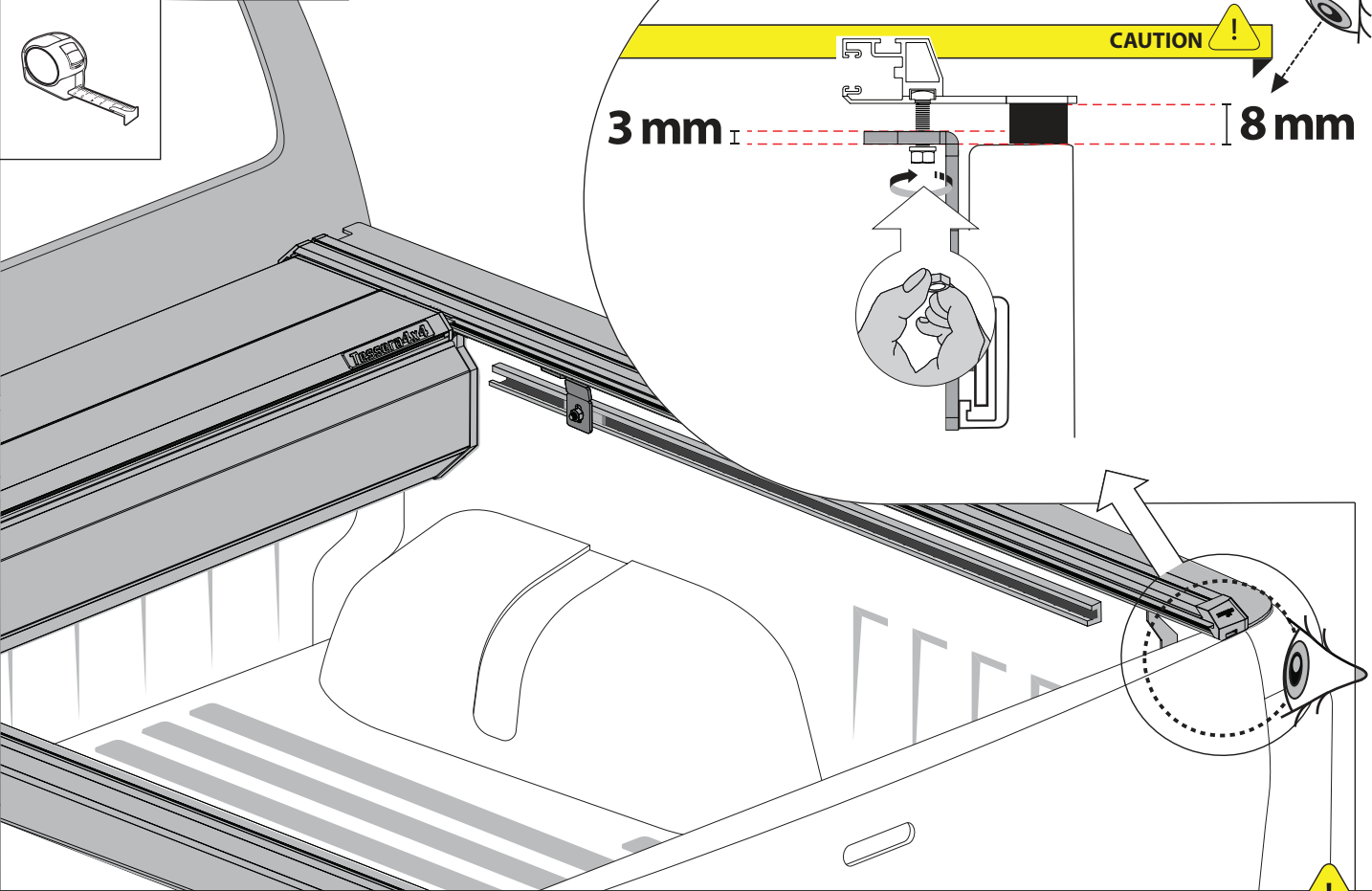
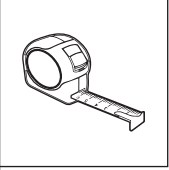
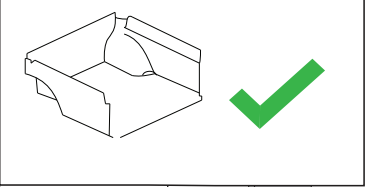
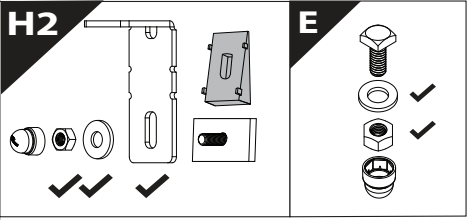
22 A



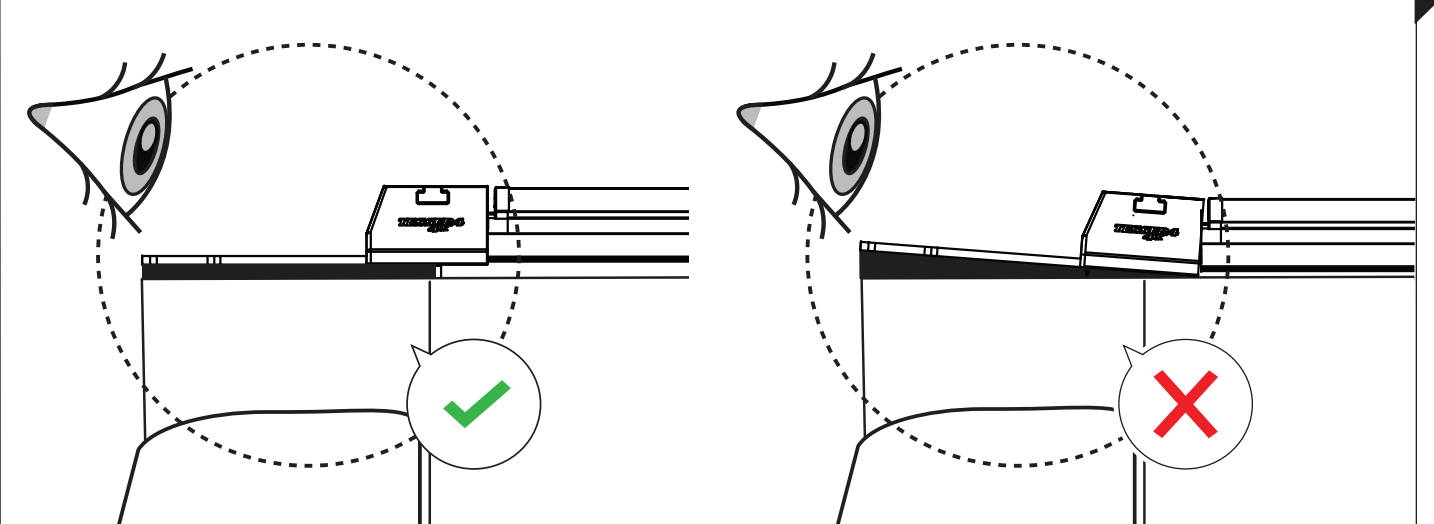
WITH C - CHANNELS



22 B

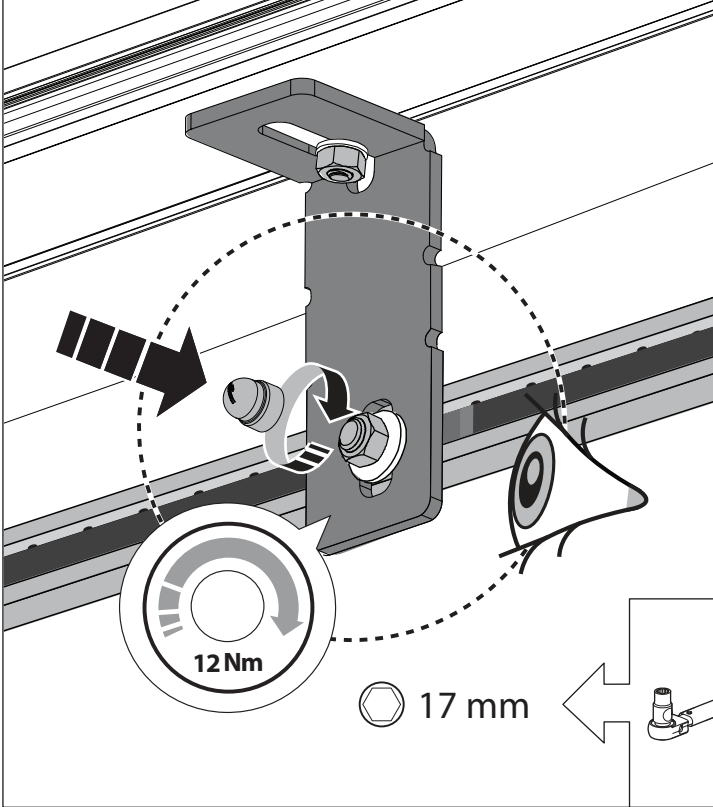
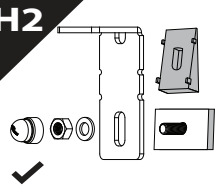


CAUTION !

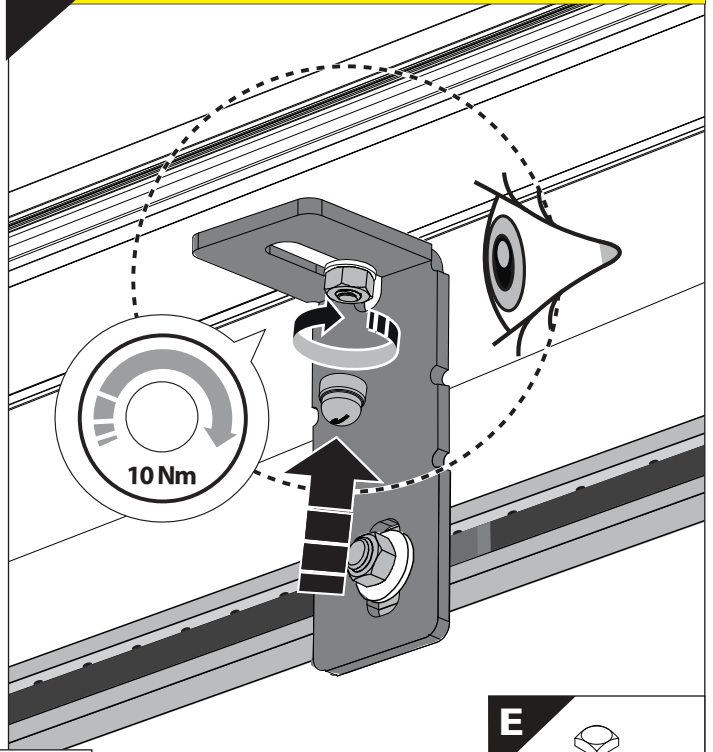


22C

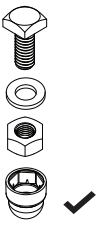
H2



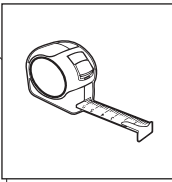
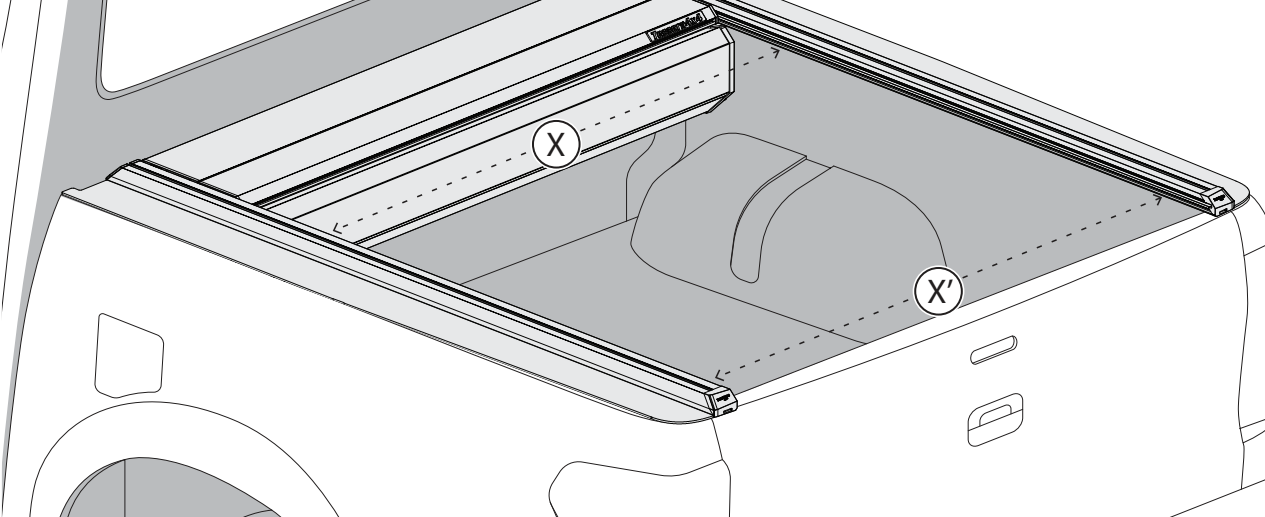
22D



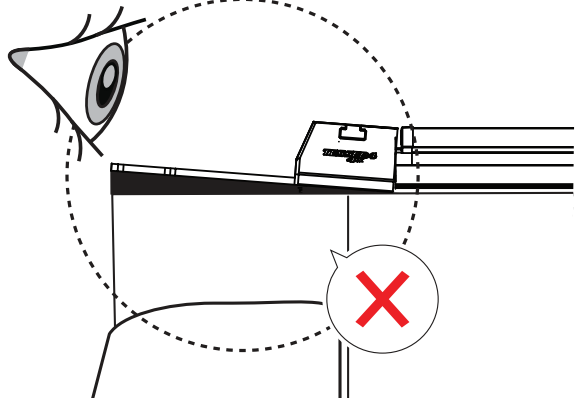
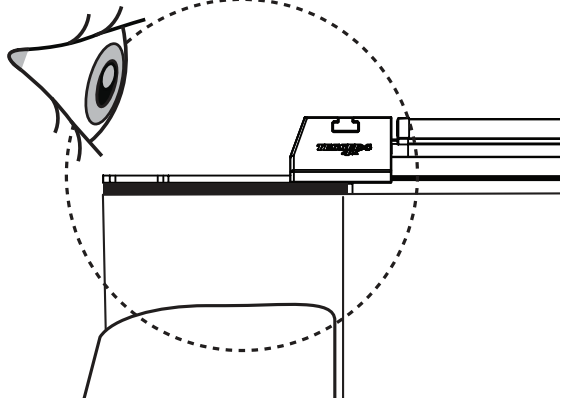
E



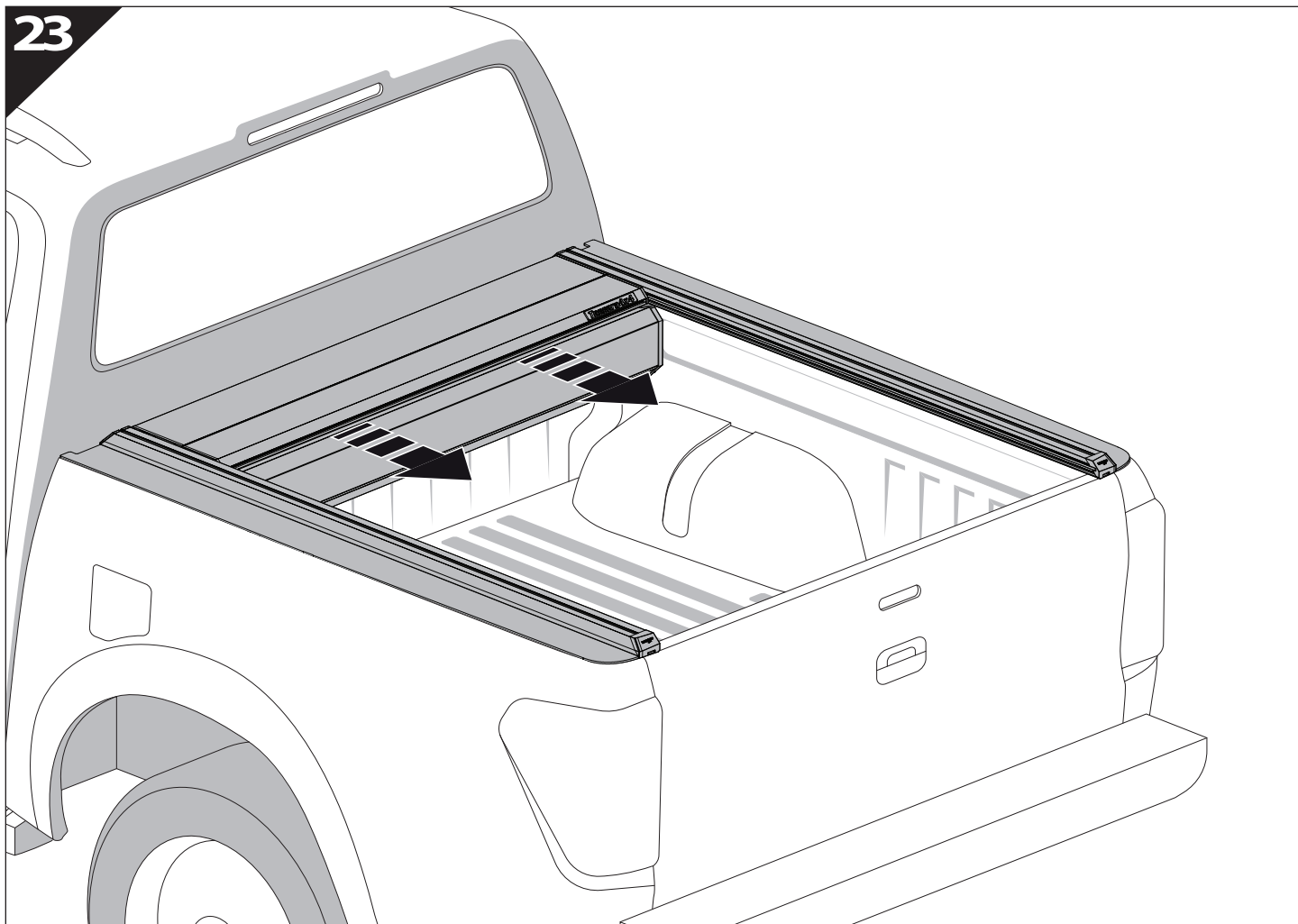
CAUTION !



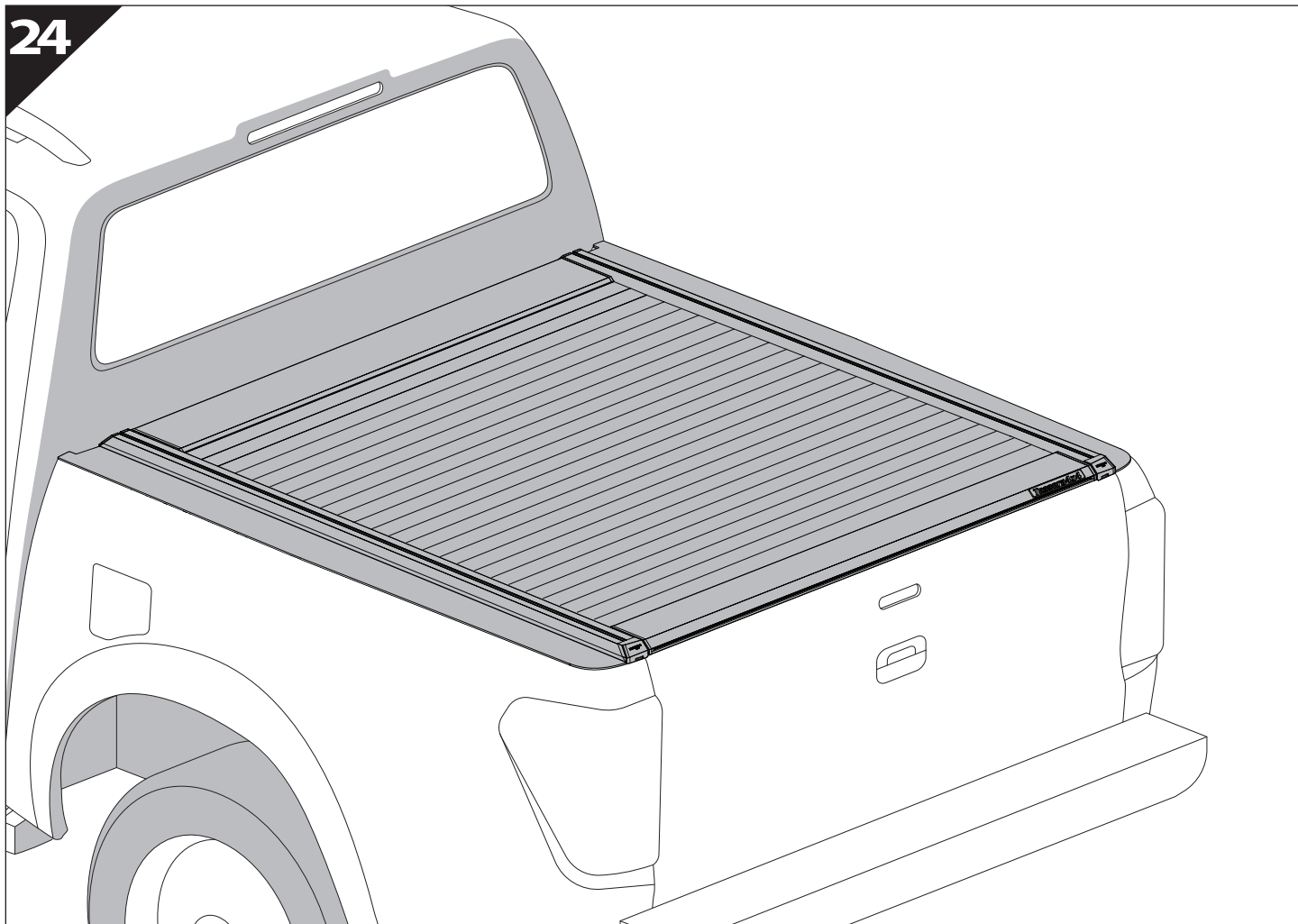
CAUTION !



23



24





GR: Οδηγίες Εγκατάστασης
GB: Installation manual
SF: Asennusohje
F: Notice de montage
PL: Instrukcja montażu
NL: Installatie-instructies
TR: Montaj Talimatı
S: Monteringsanvisning
E: Instrucciones de montaje

H: Szerelési utasítás
P: Instruções de instalação
RUS: Инструкция по установке
N: Monteringsveiledning
D: Einbauanleitung
CZ: Návod k instalaci
I: Istruzioni de montaggio
DK: Monteringsvejledning
RO: Instructiuni de instalare

Customer Service:

+30 (210) 5541161, +30 (210) 5541154 (08:00 - 16:00 EET)

Support department:

info@gianso.gr

Website:

www.tessera4x4.com

Address:

19.5 km of National road Athens-Korinthos (Elefsina) Greece, P.C: 19200