

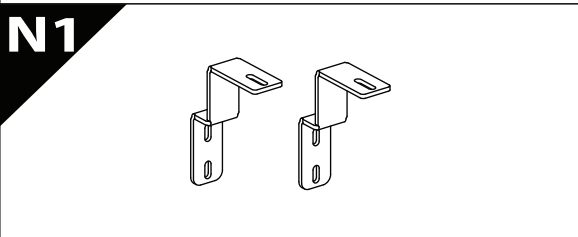
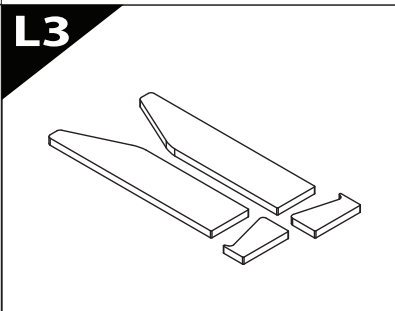
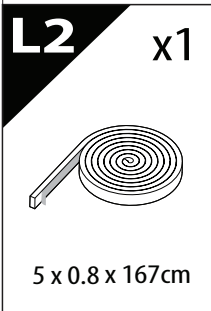
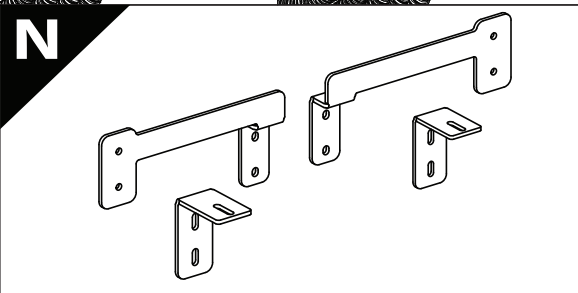
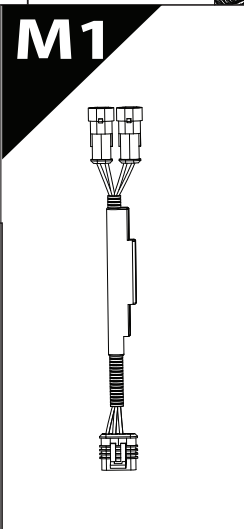
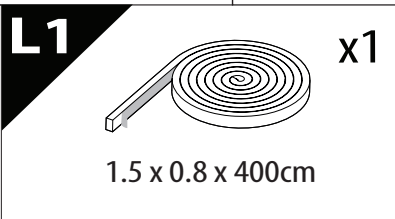
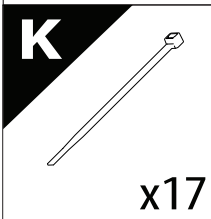
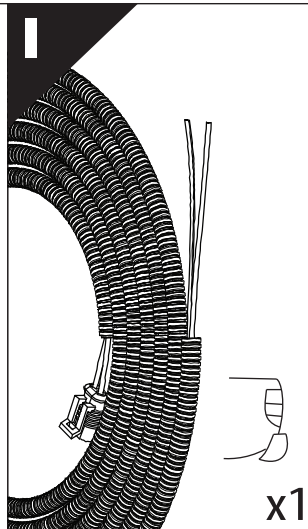
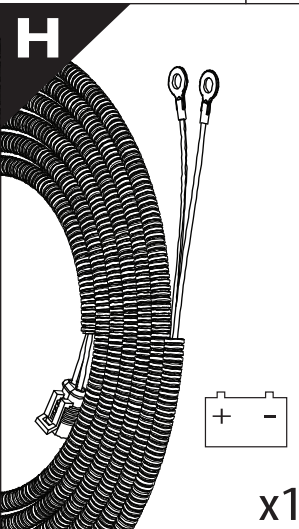
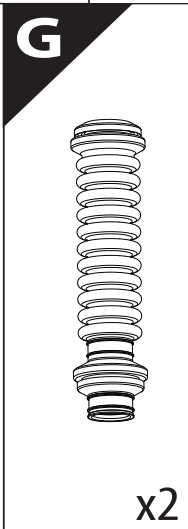
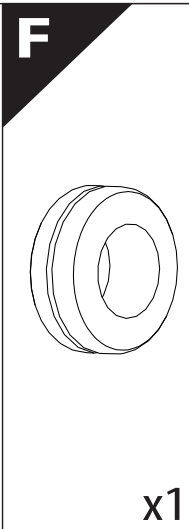
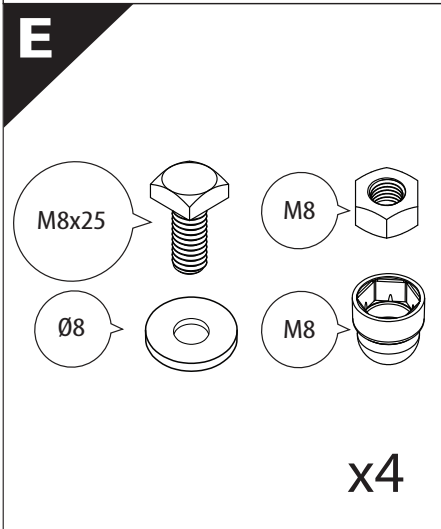
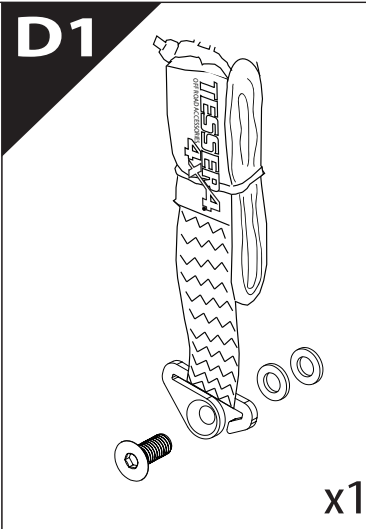
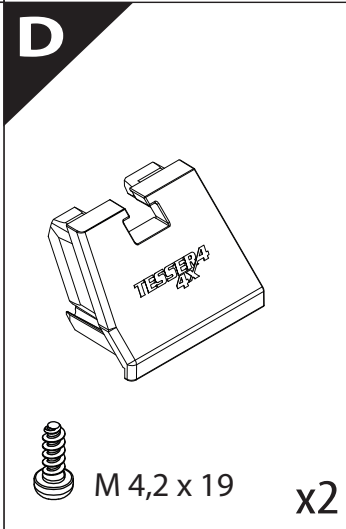
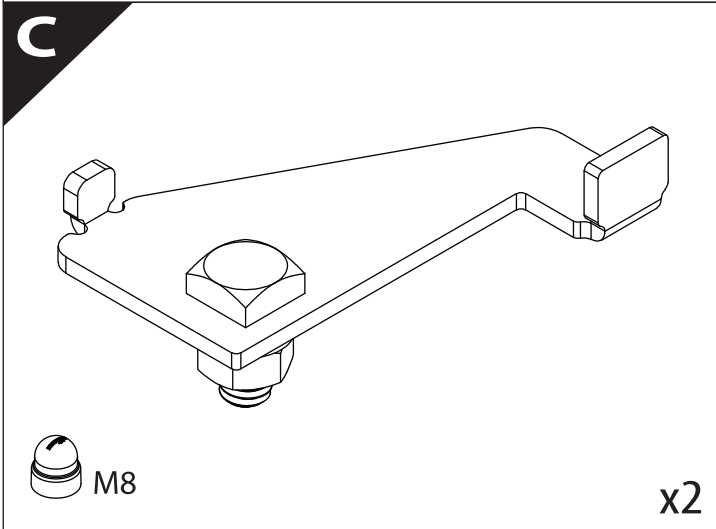
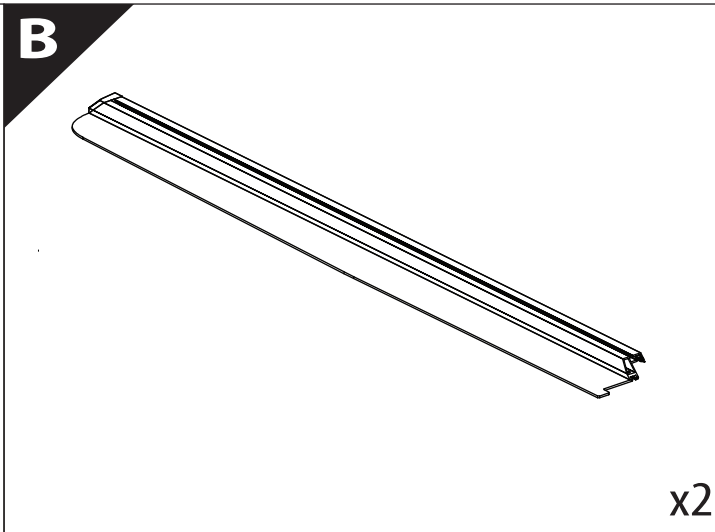
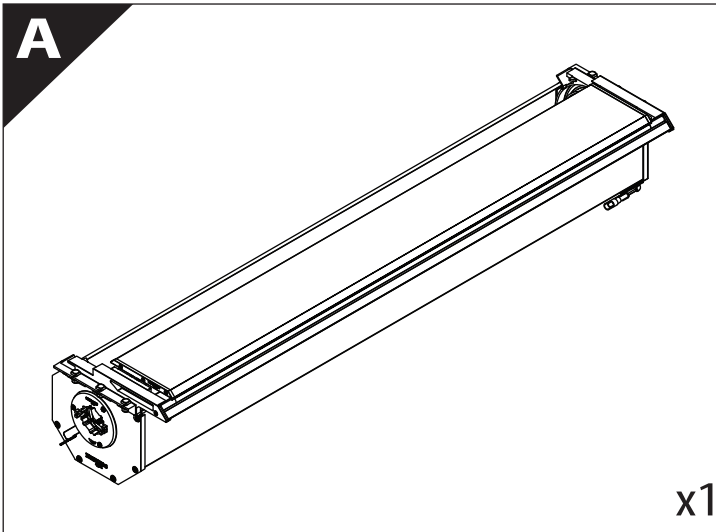
Tessera Roll+

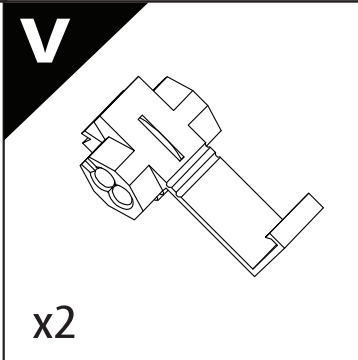
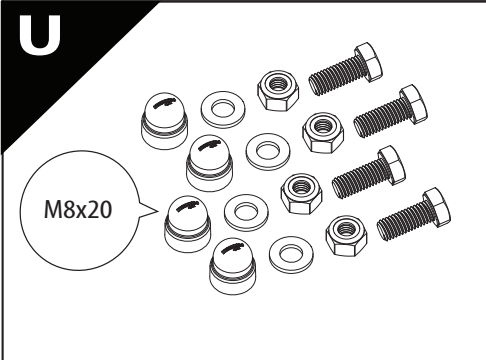
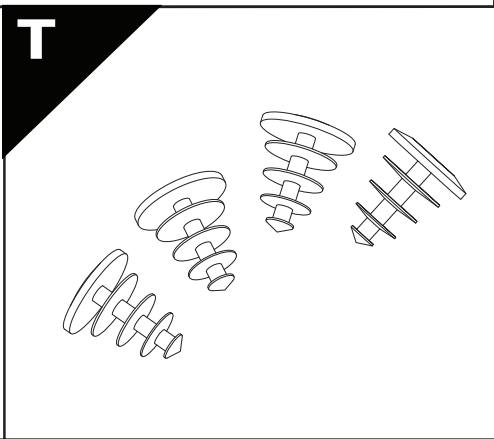
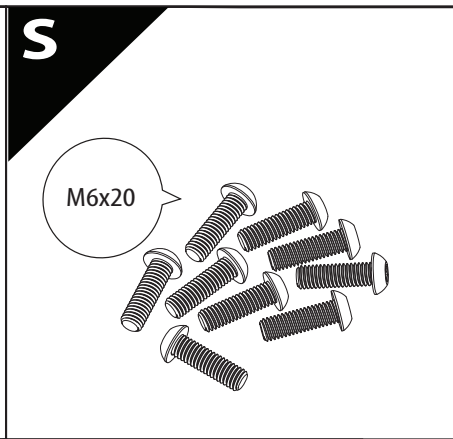
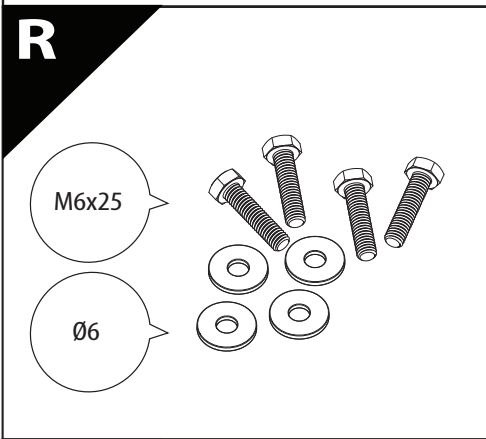
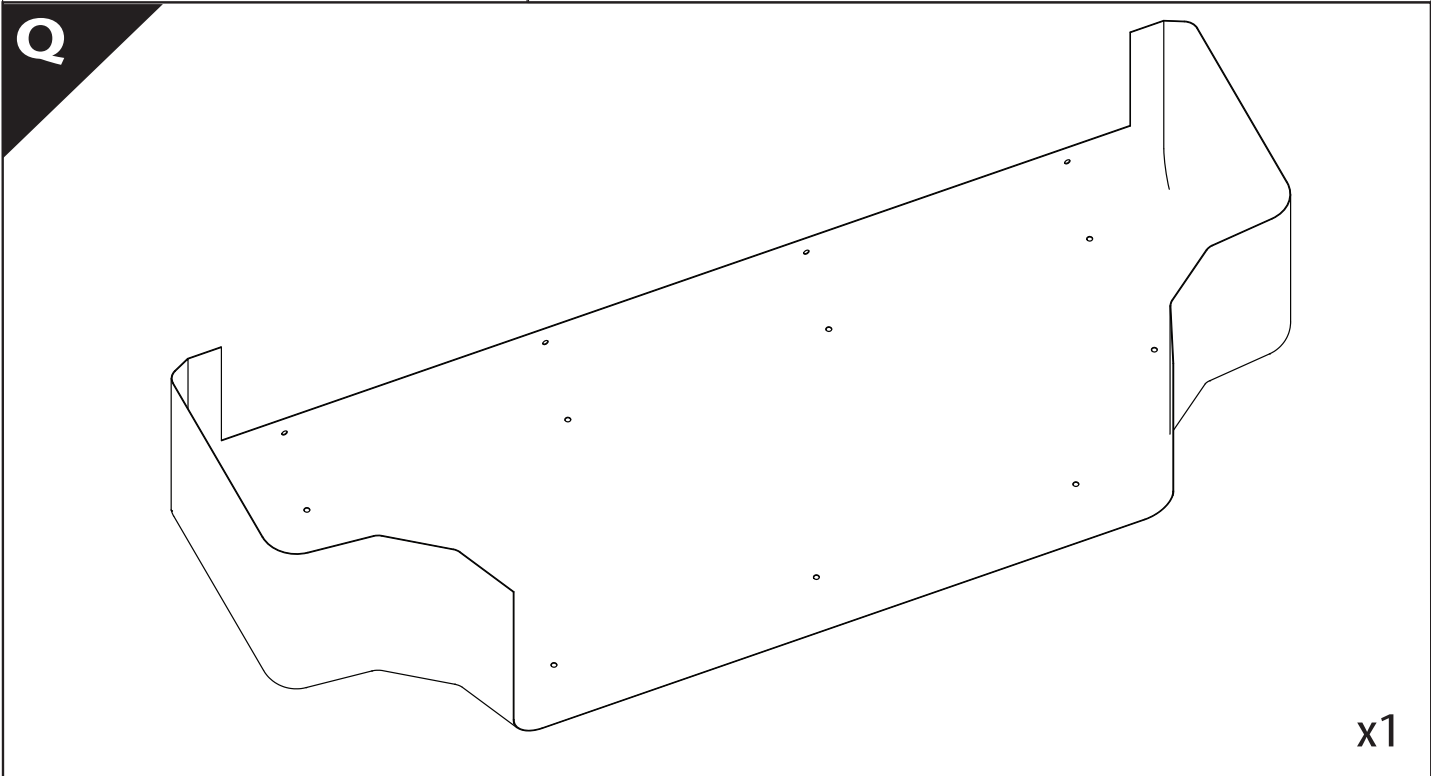
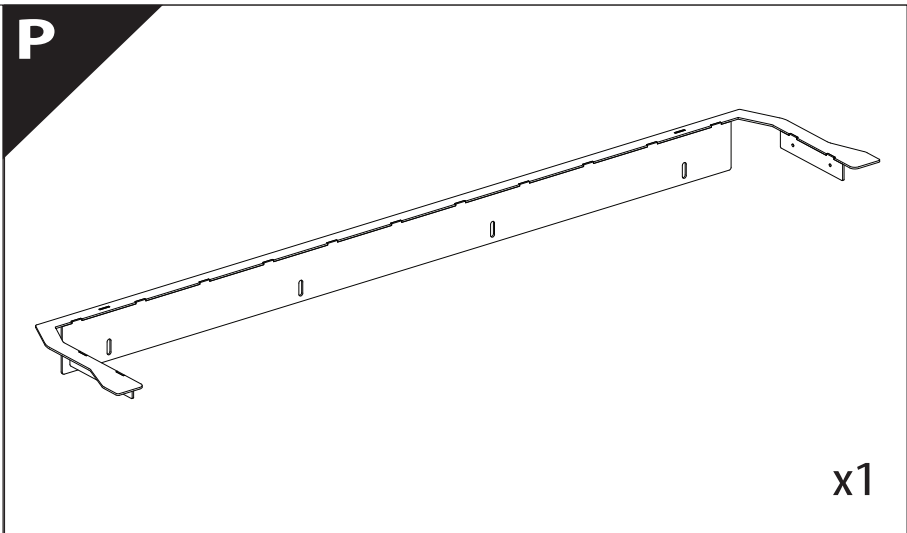
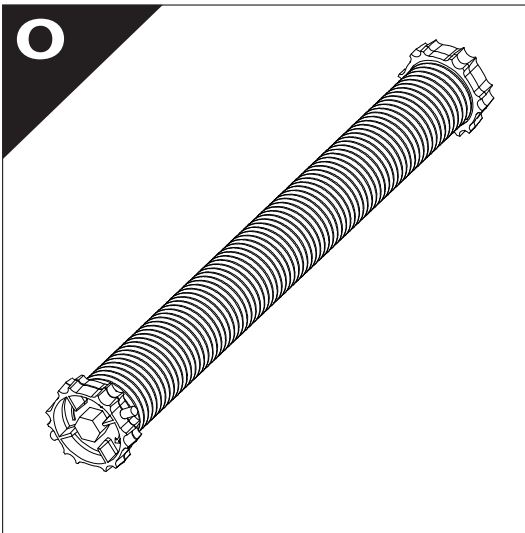
Basic Version + ⚙️ S-KIT

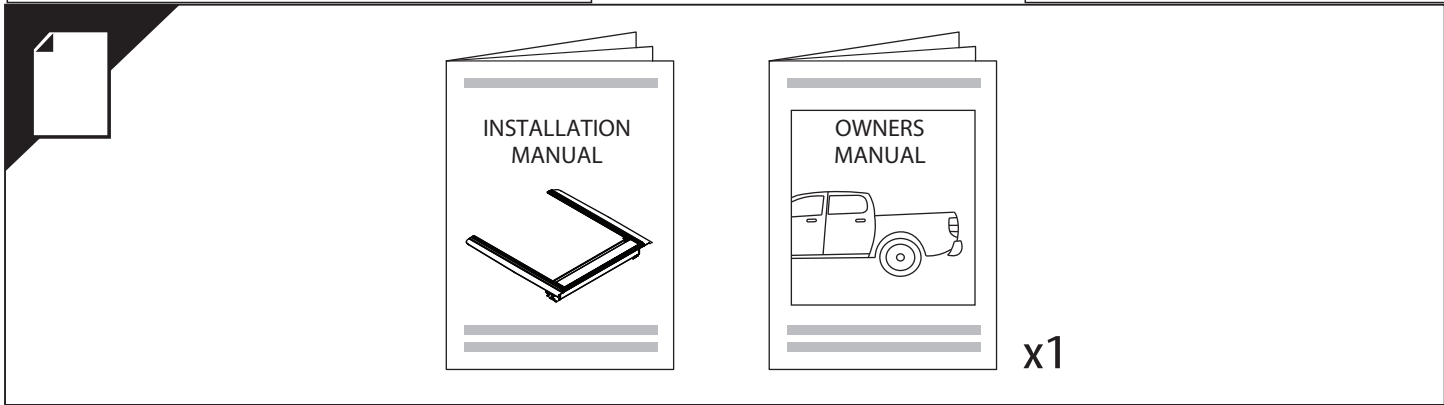
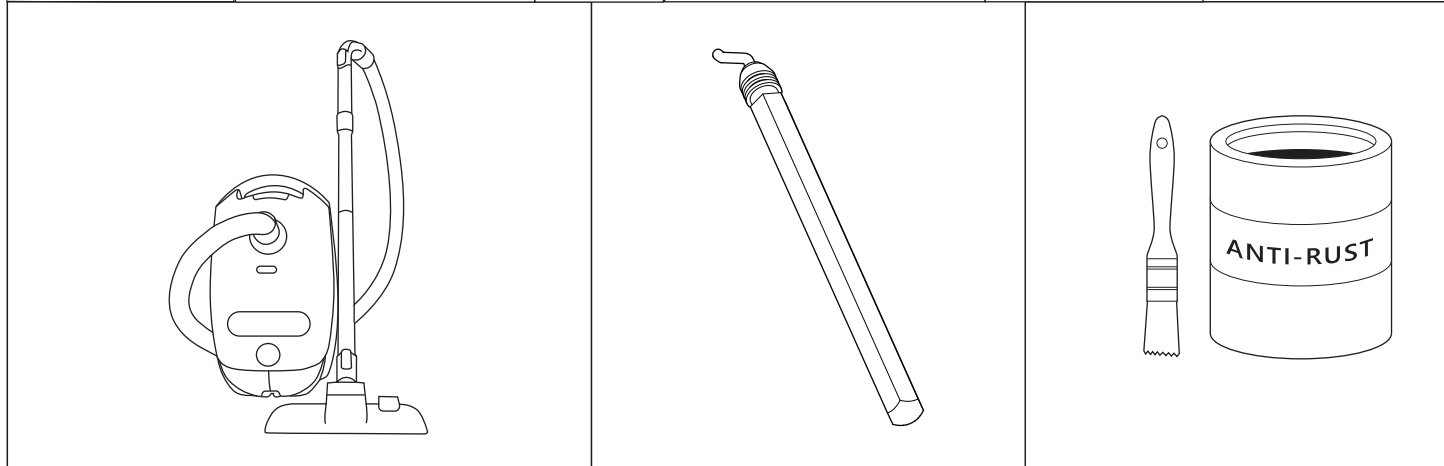
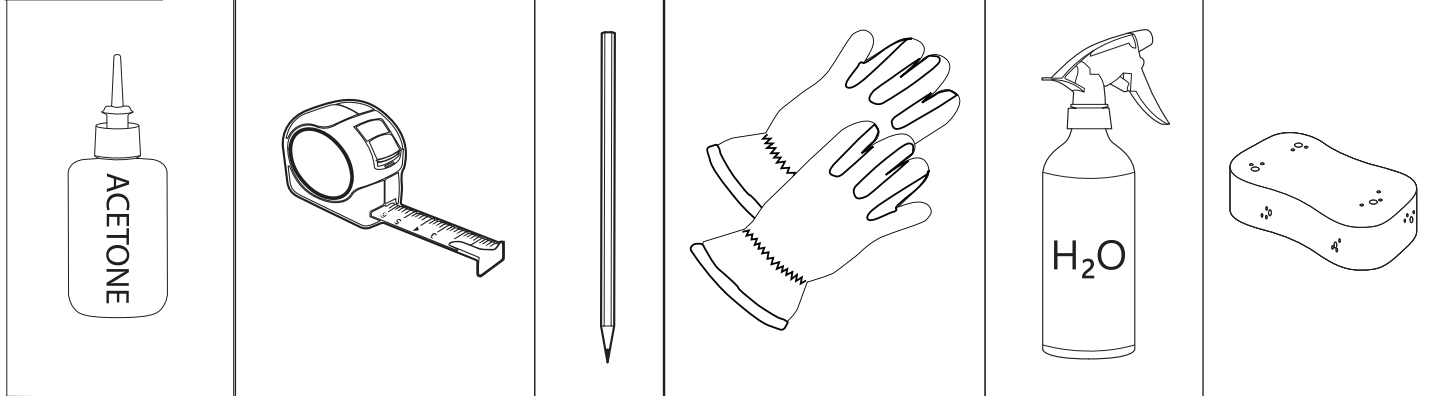
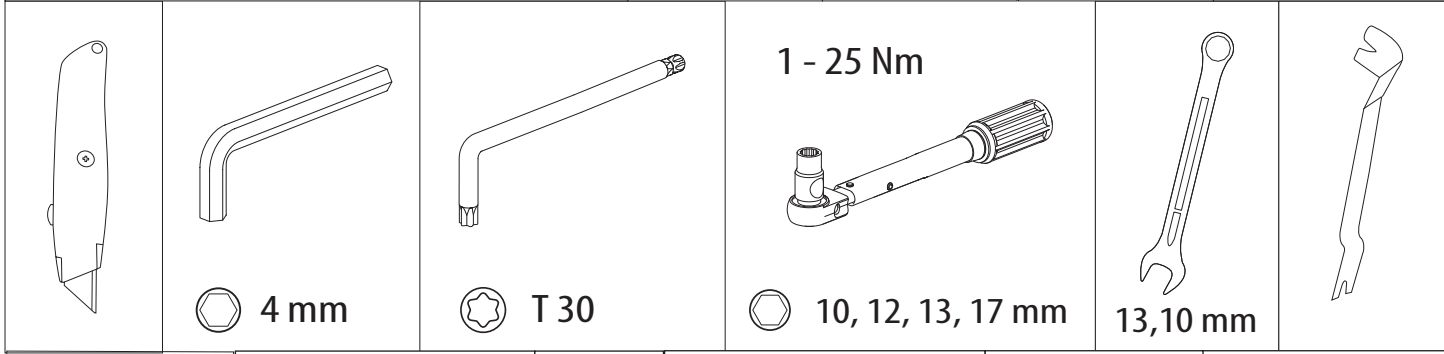
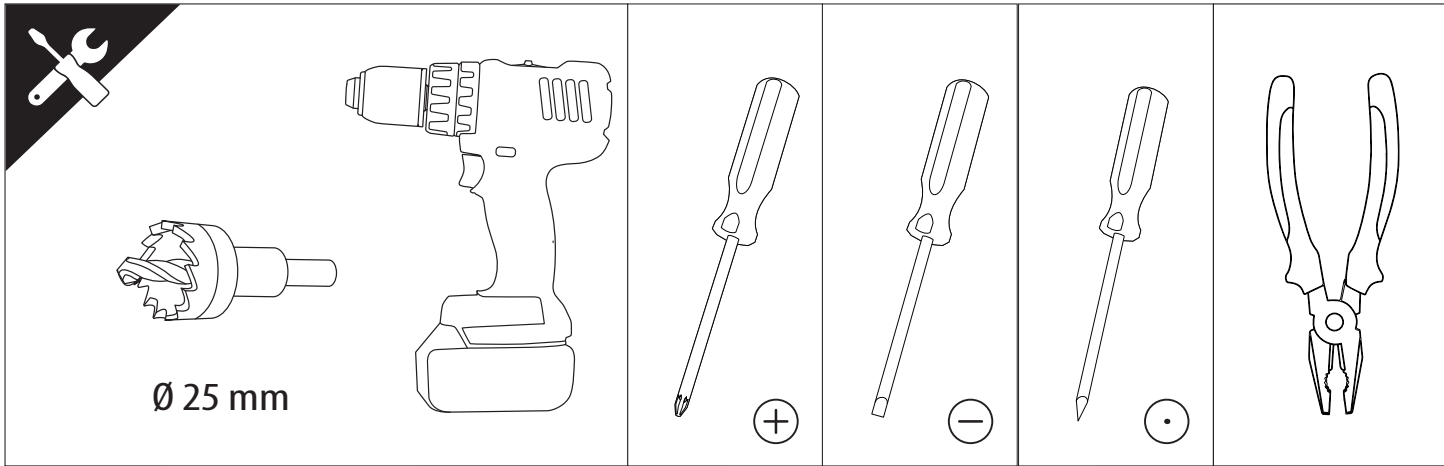


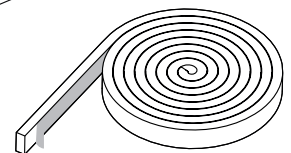
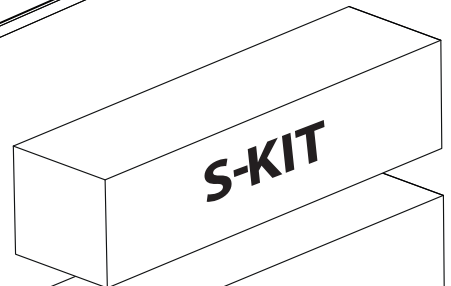
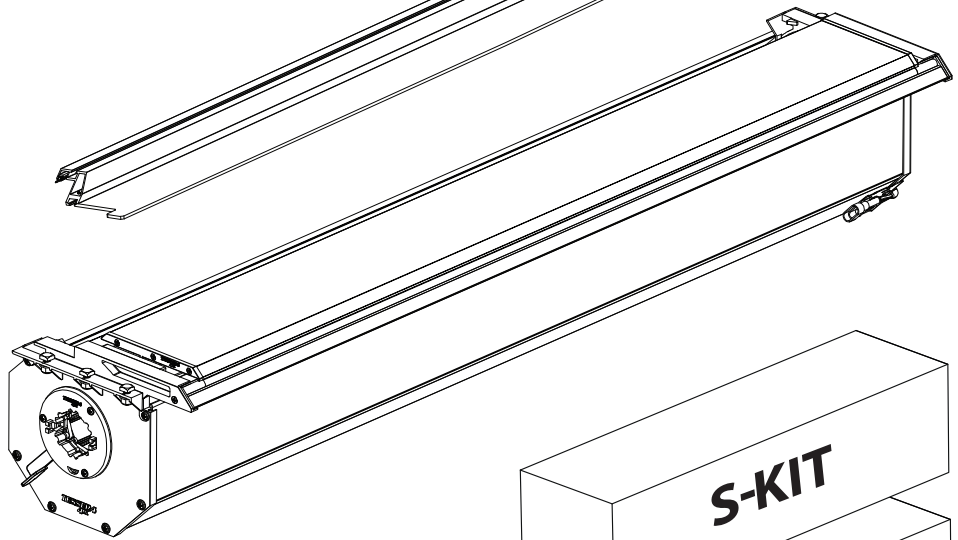
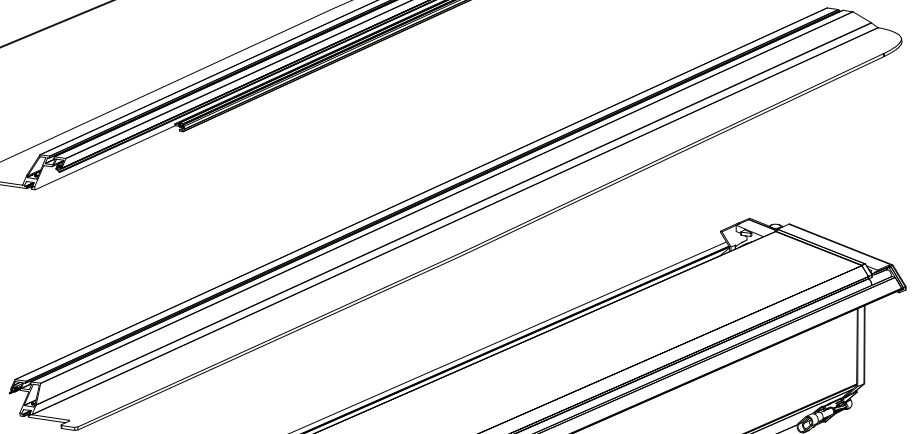
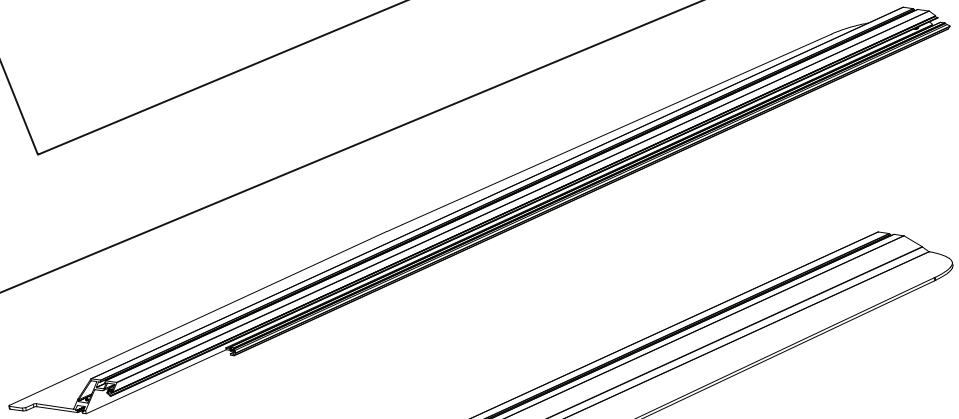
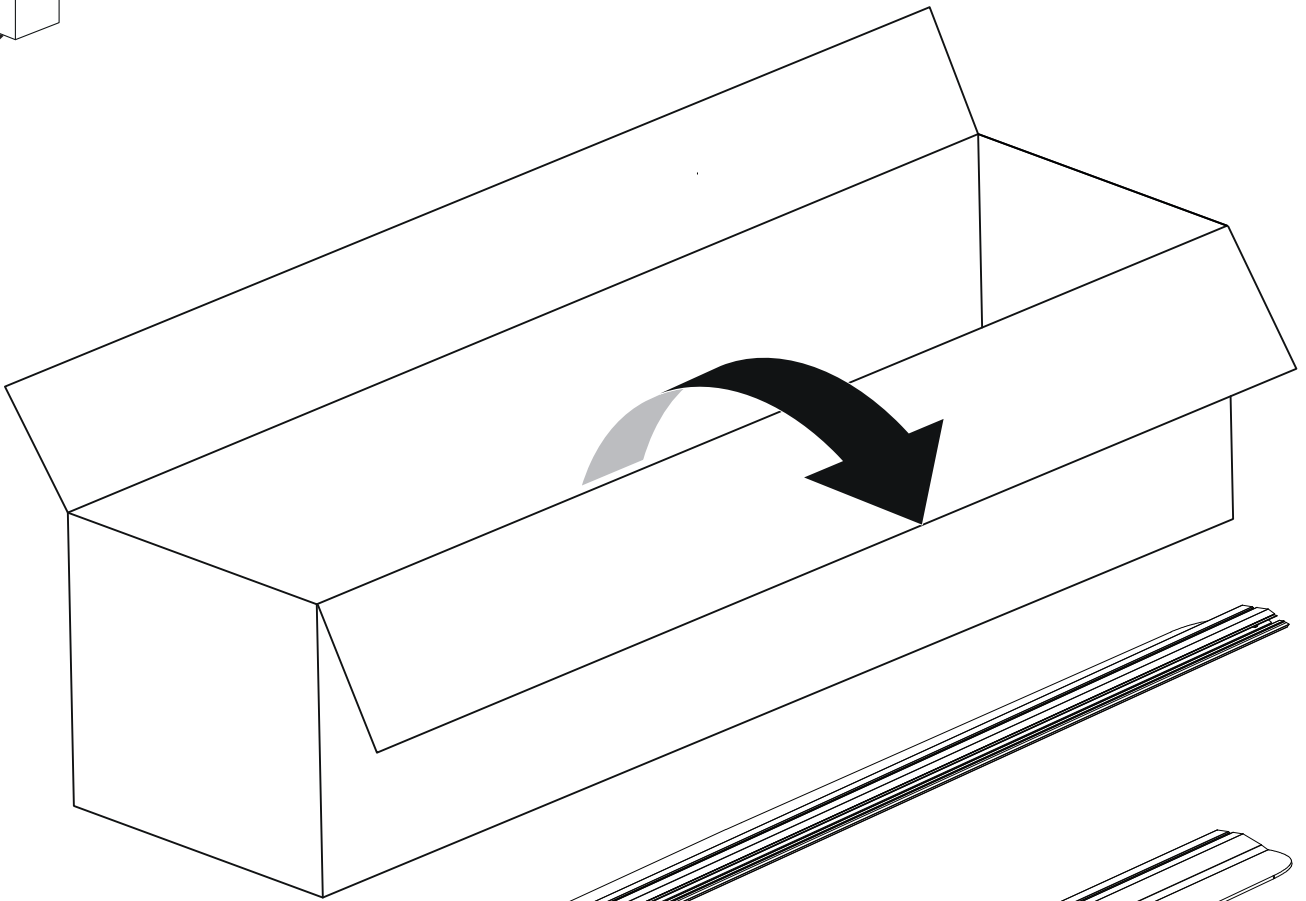
Installation Manual

PART NUMBER(S)	Model Year
TESS 1454 ROLL+ S-KIT	KGM MUSSO EV
Cab(s)	Installation Time / Weight
Double Cab & Space cab	90-120 minutes / 53-57 kg







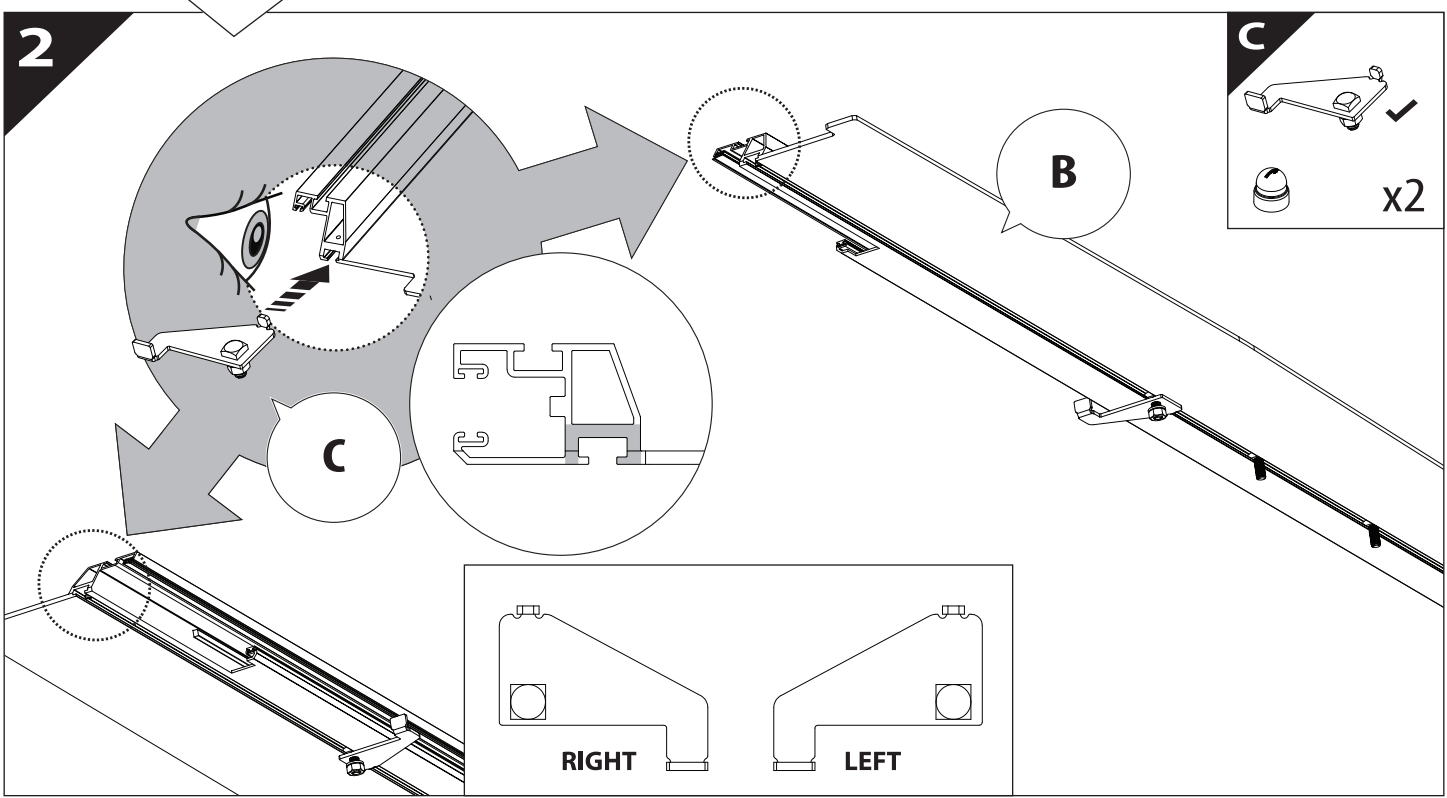
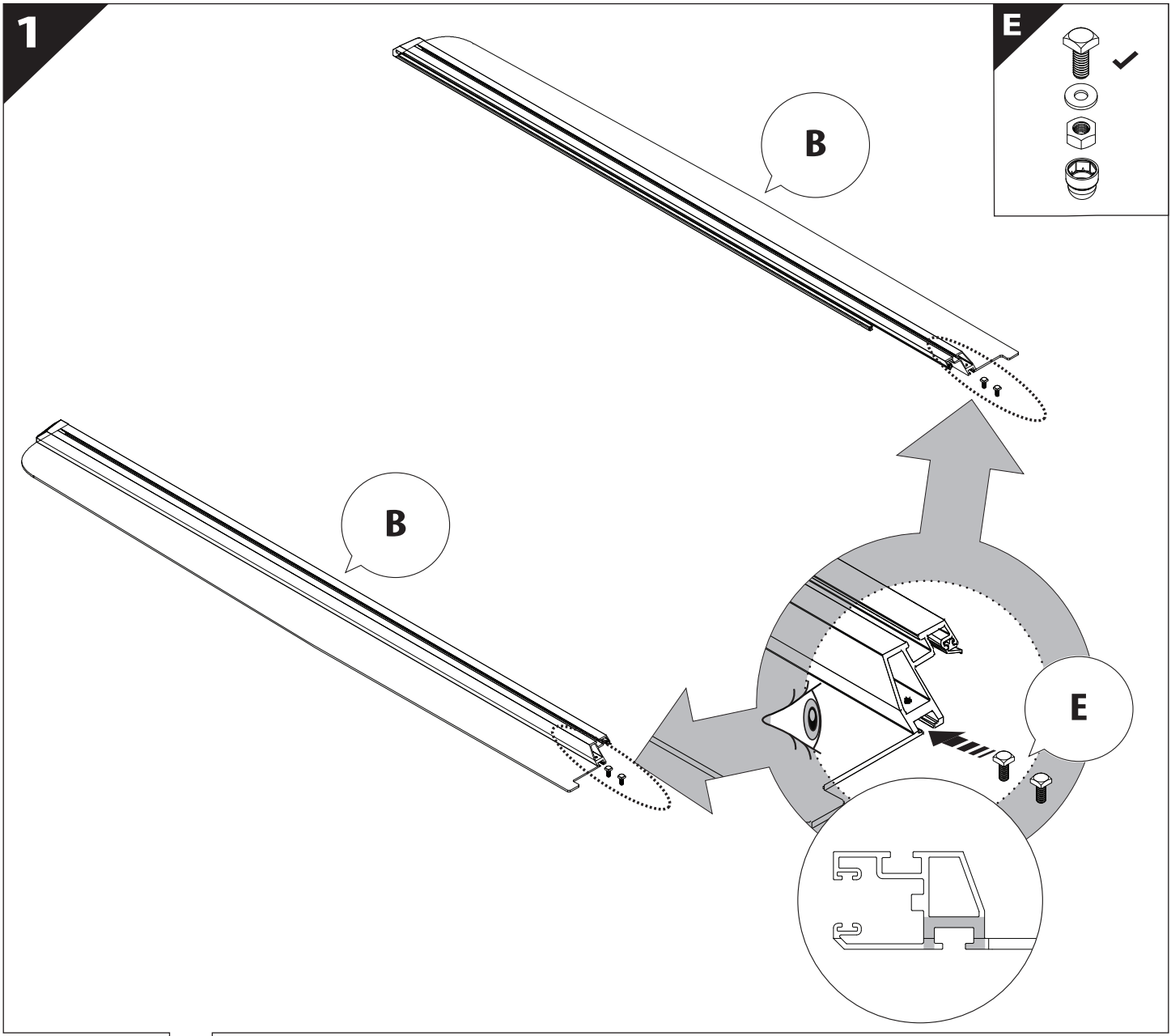


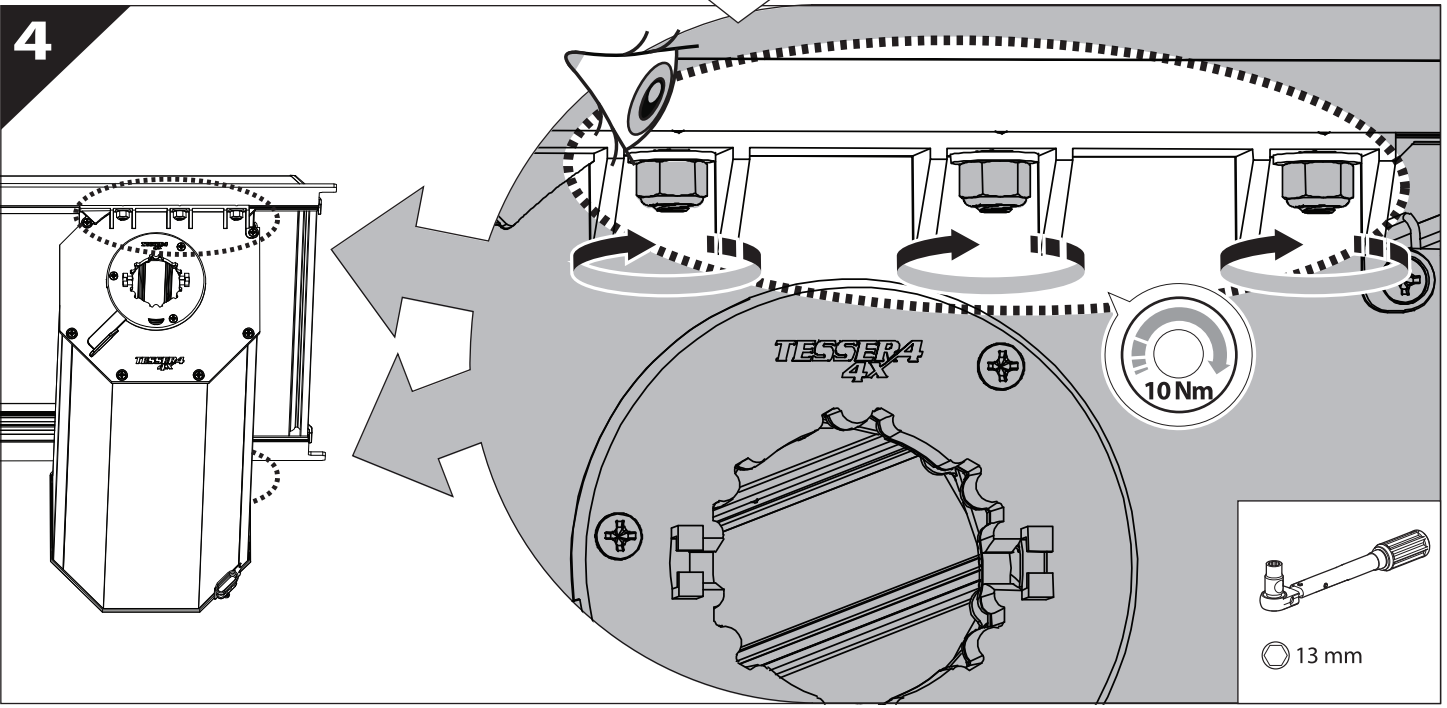
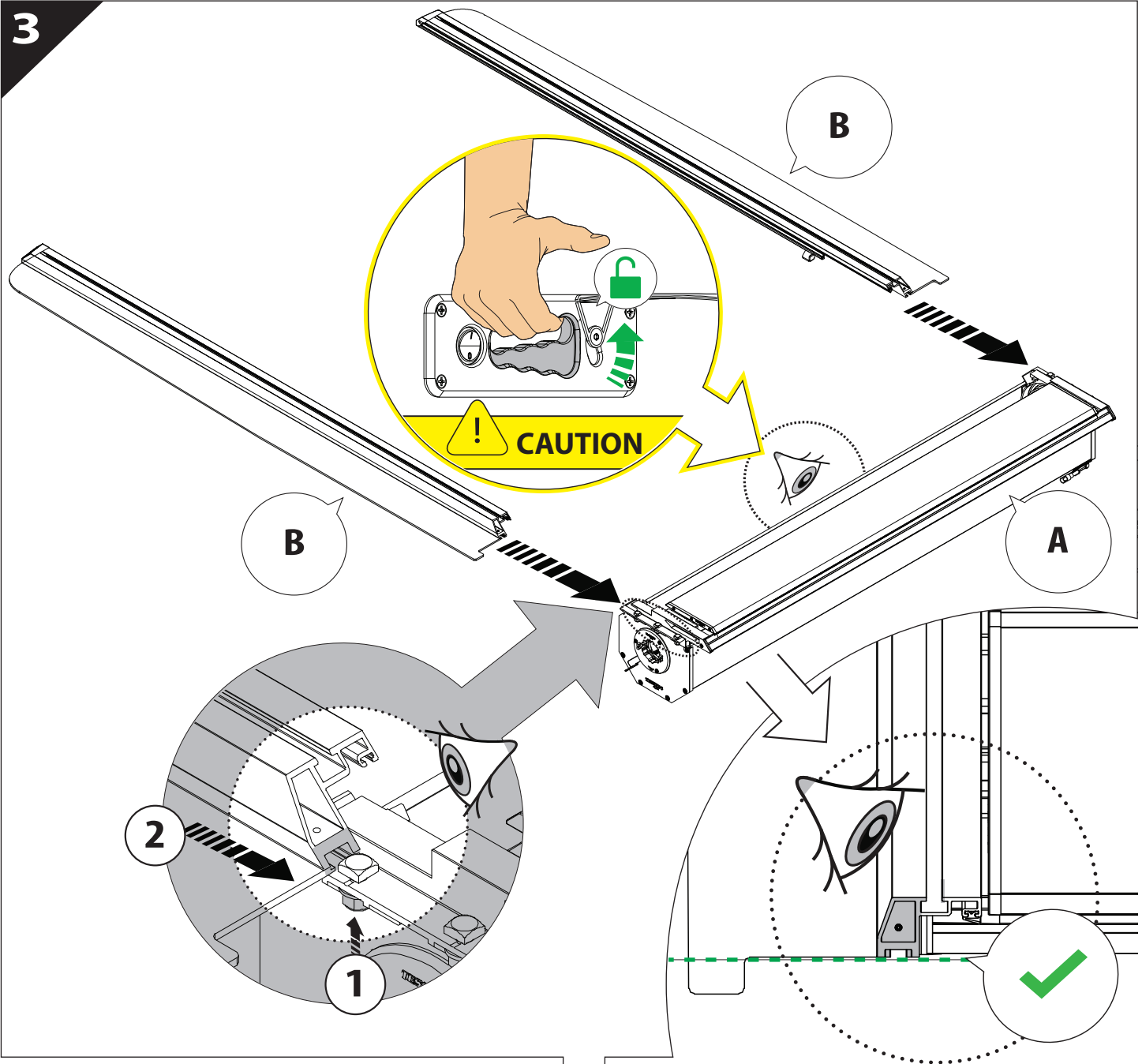
B

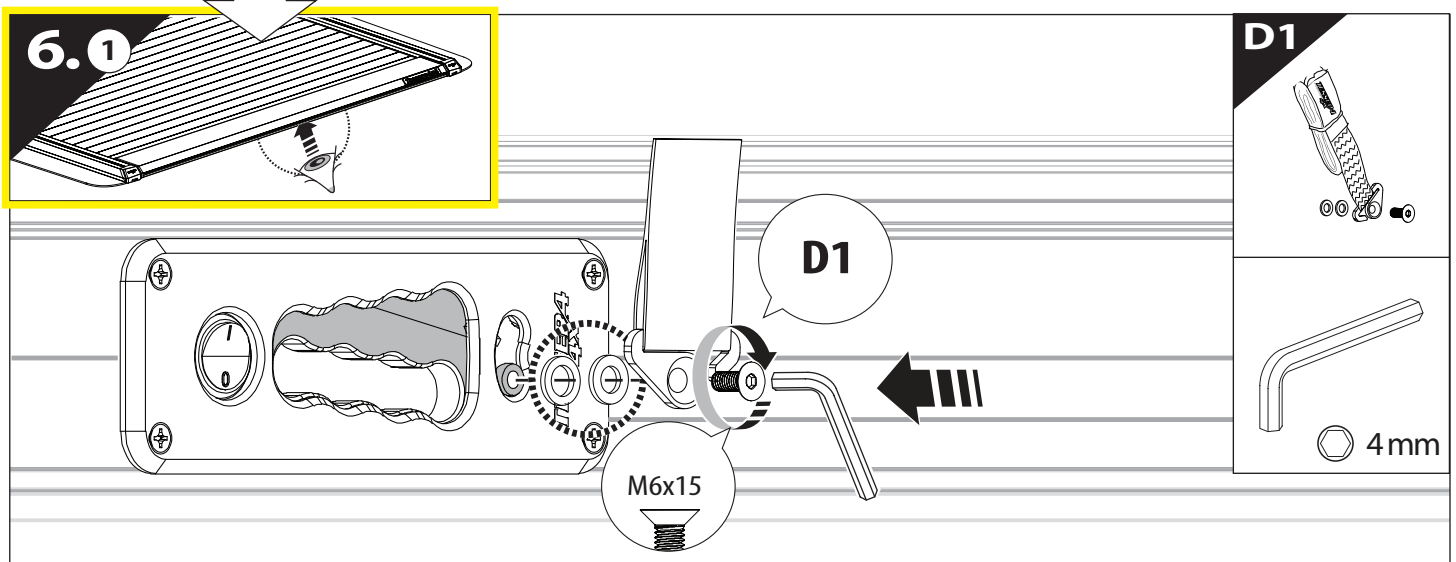
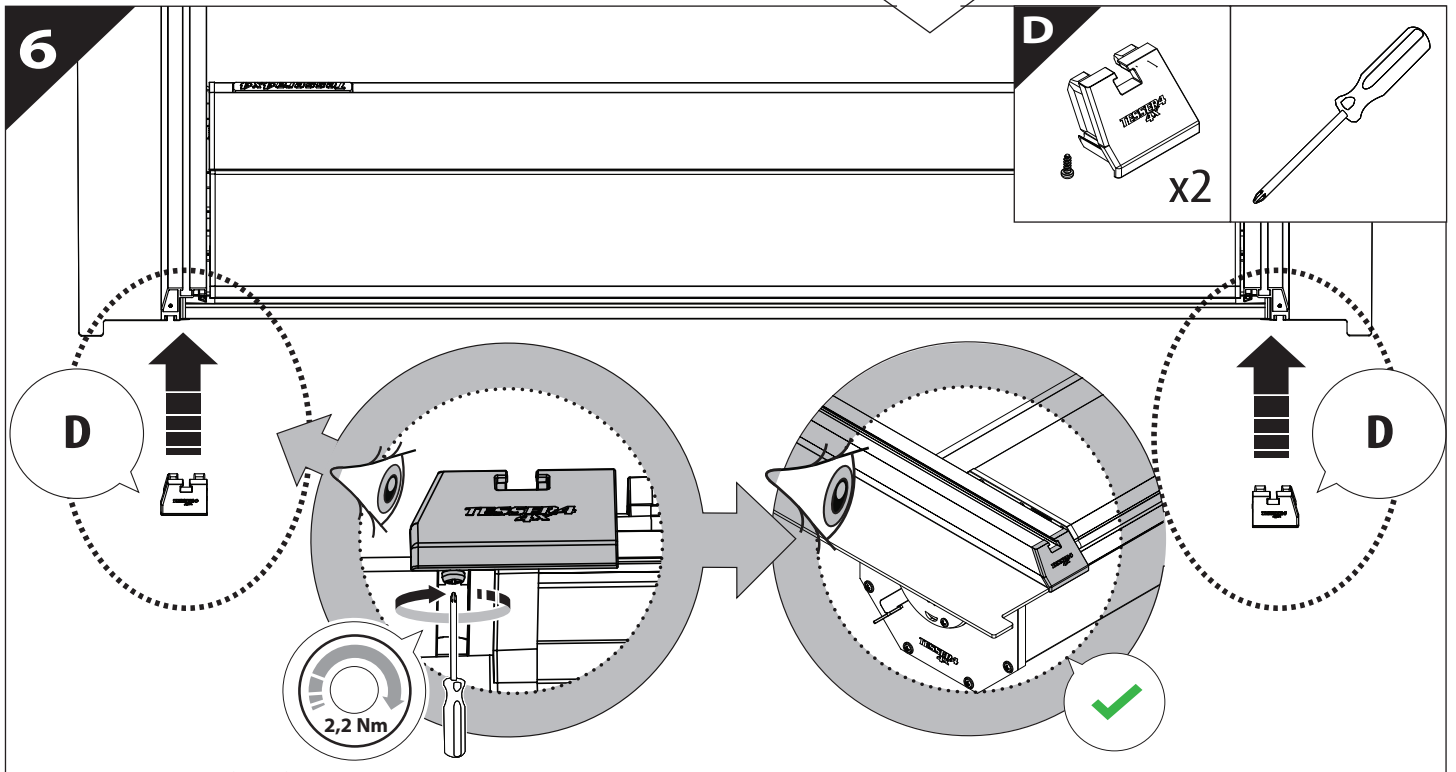
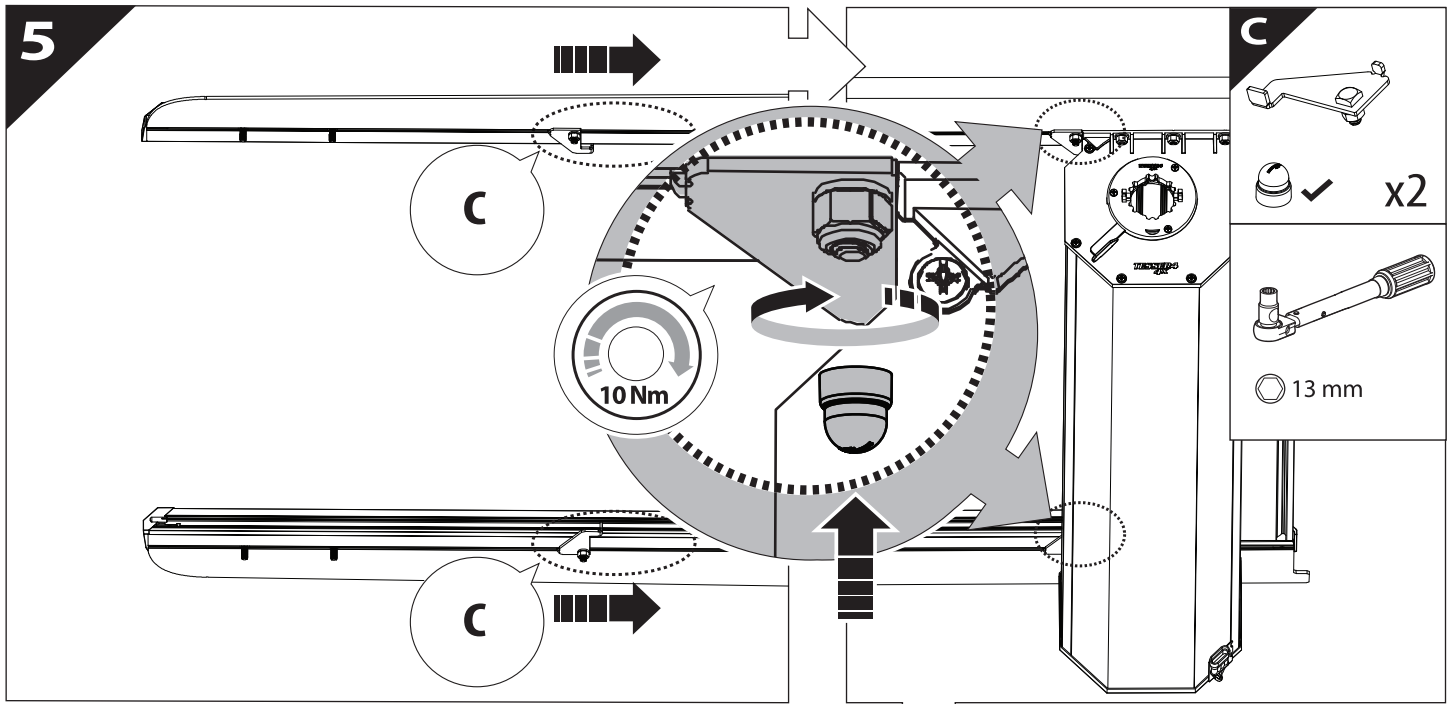
A

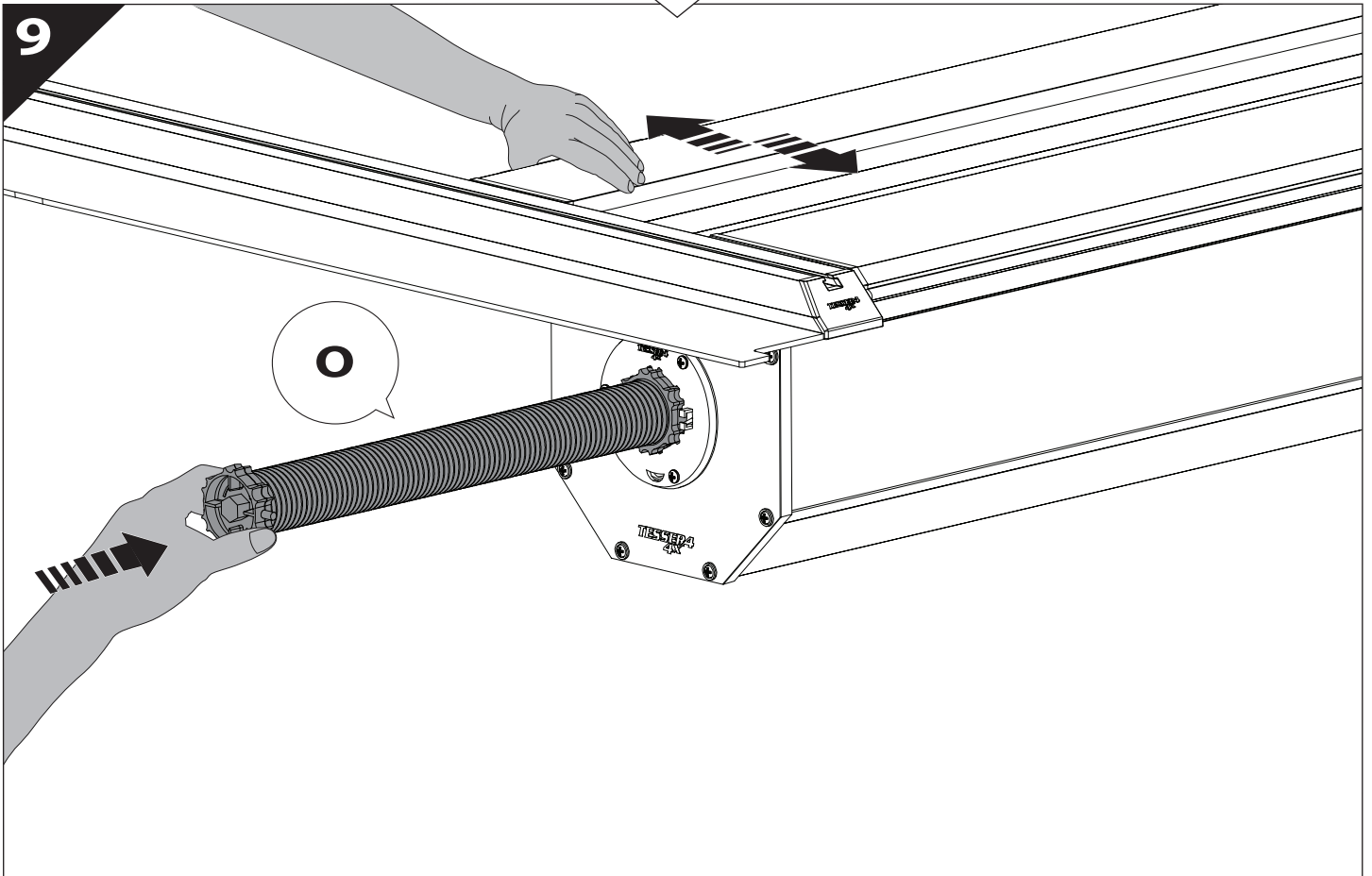
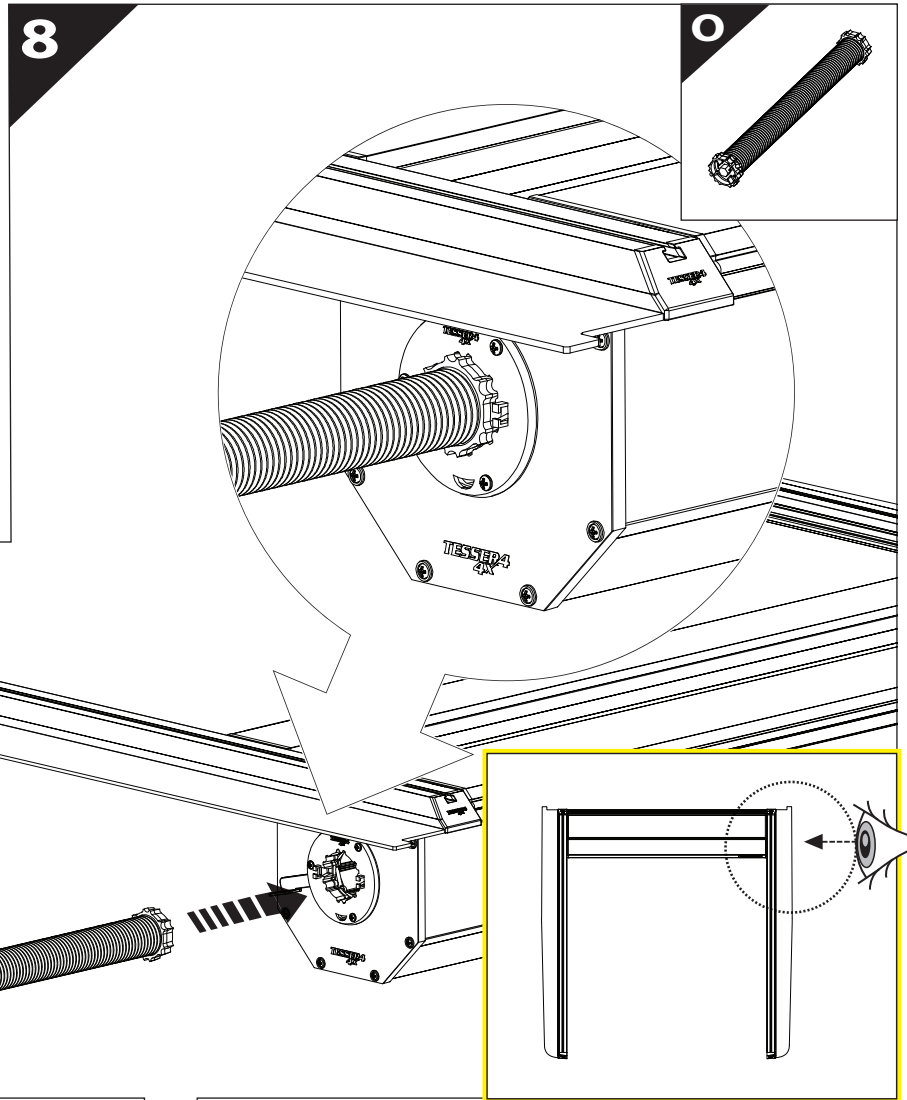
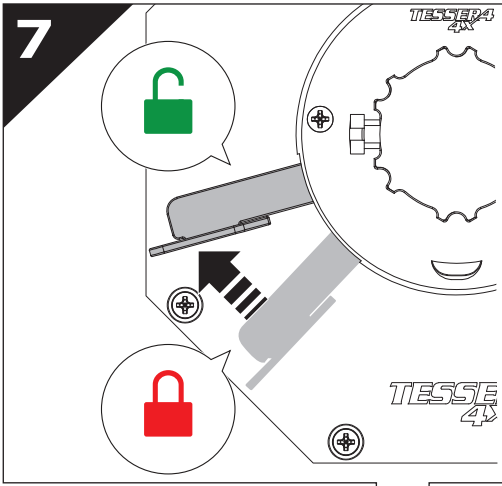
KITS

L

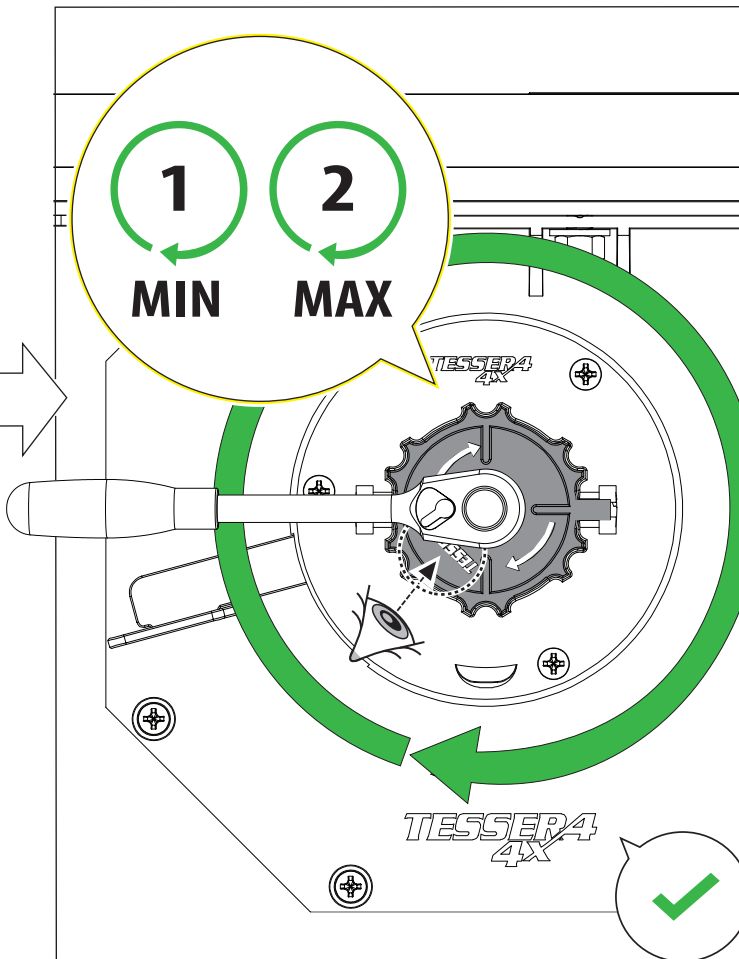
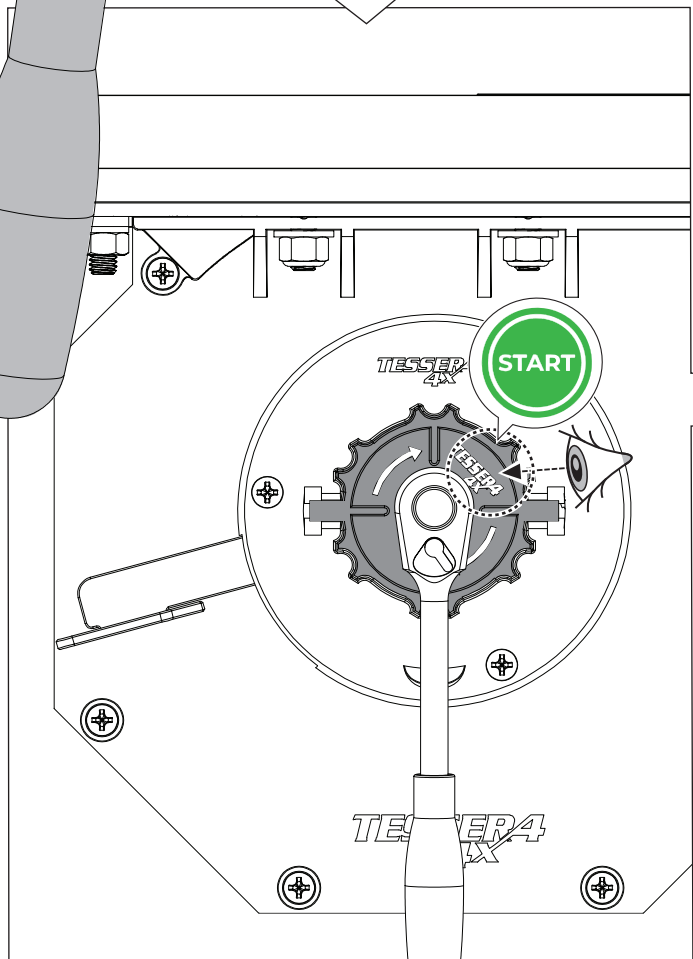
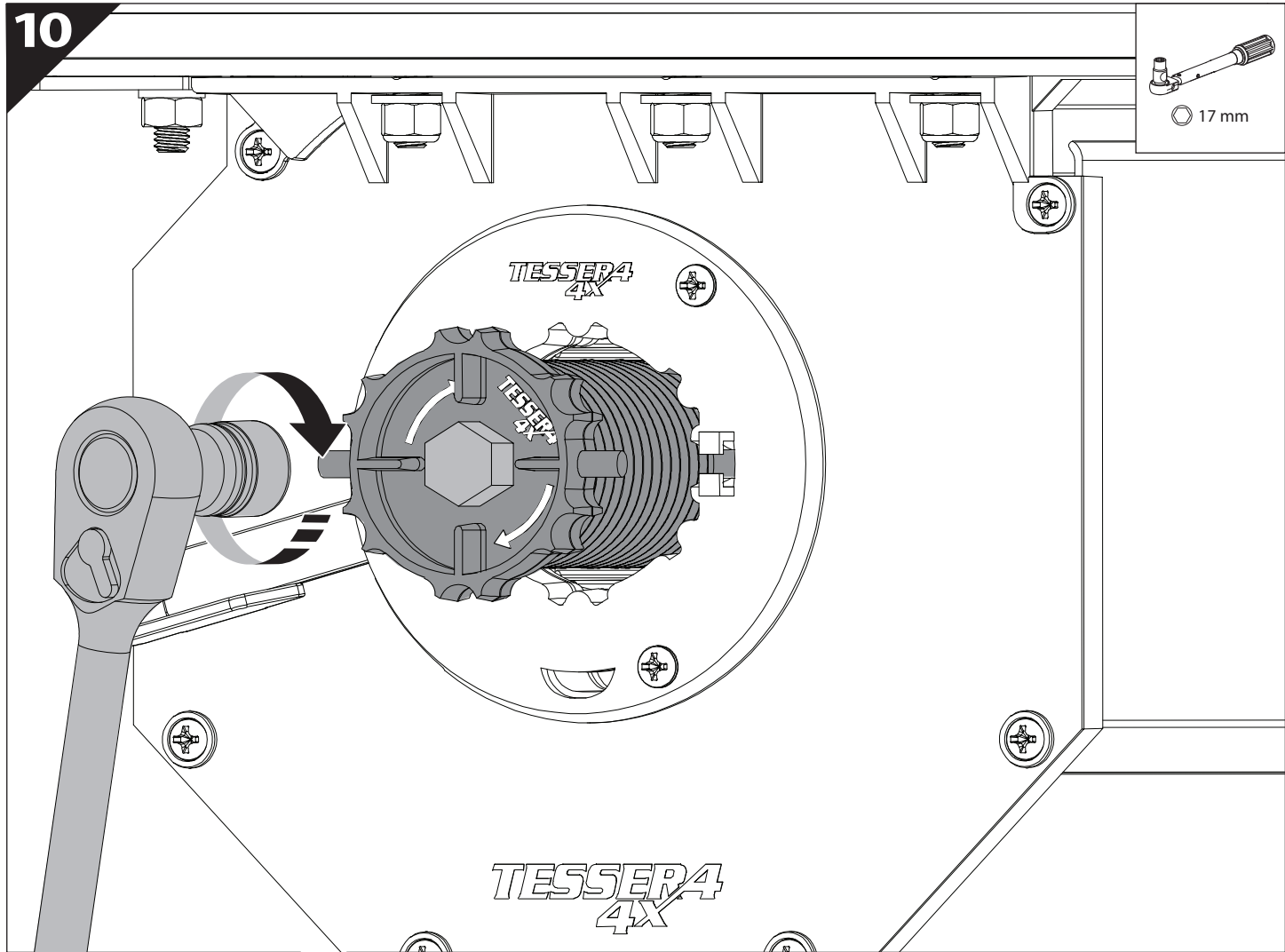
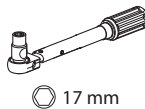


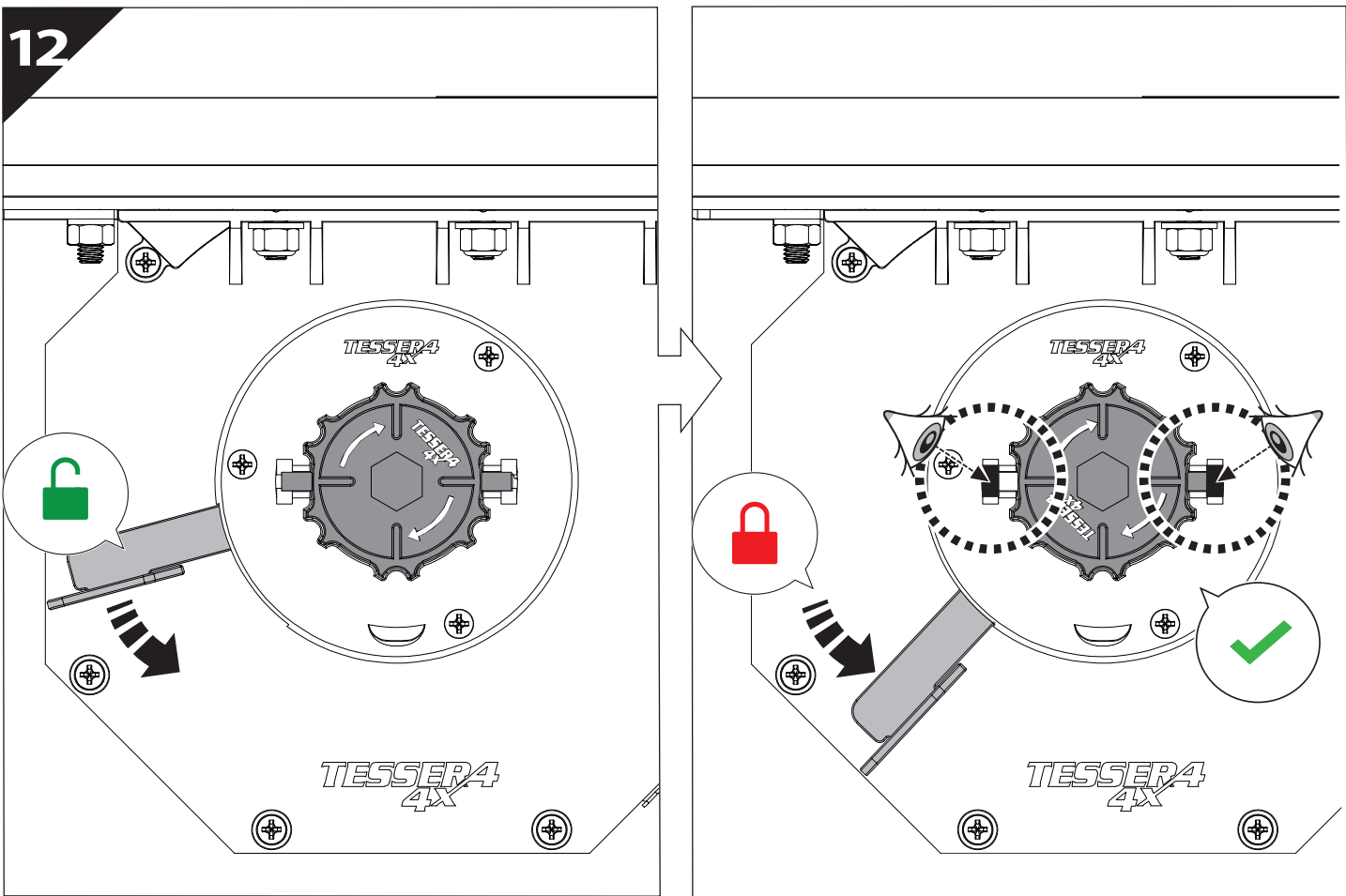
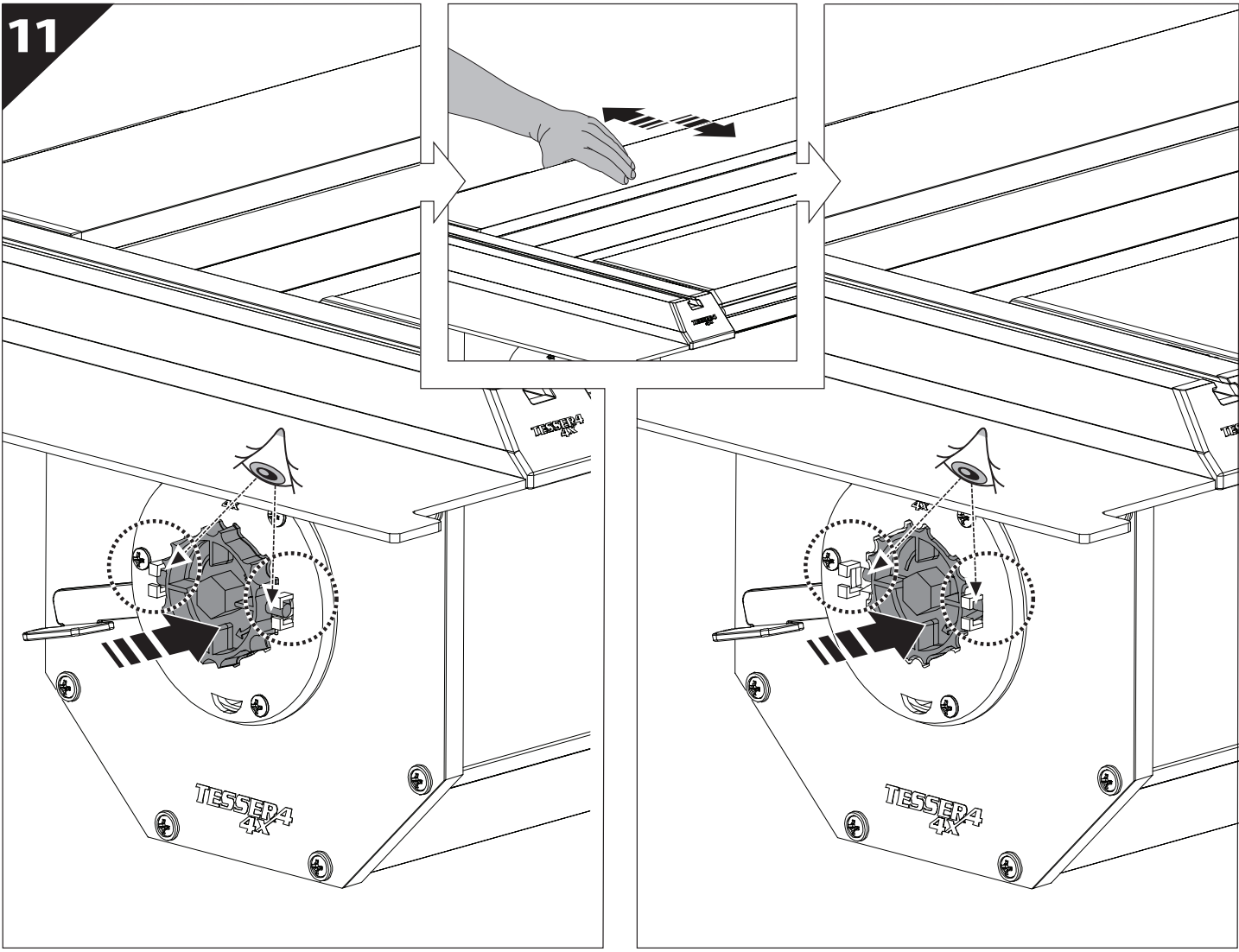




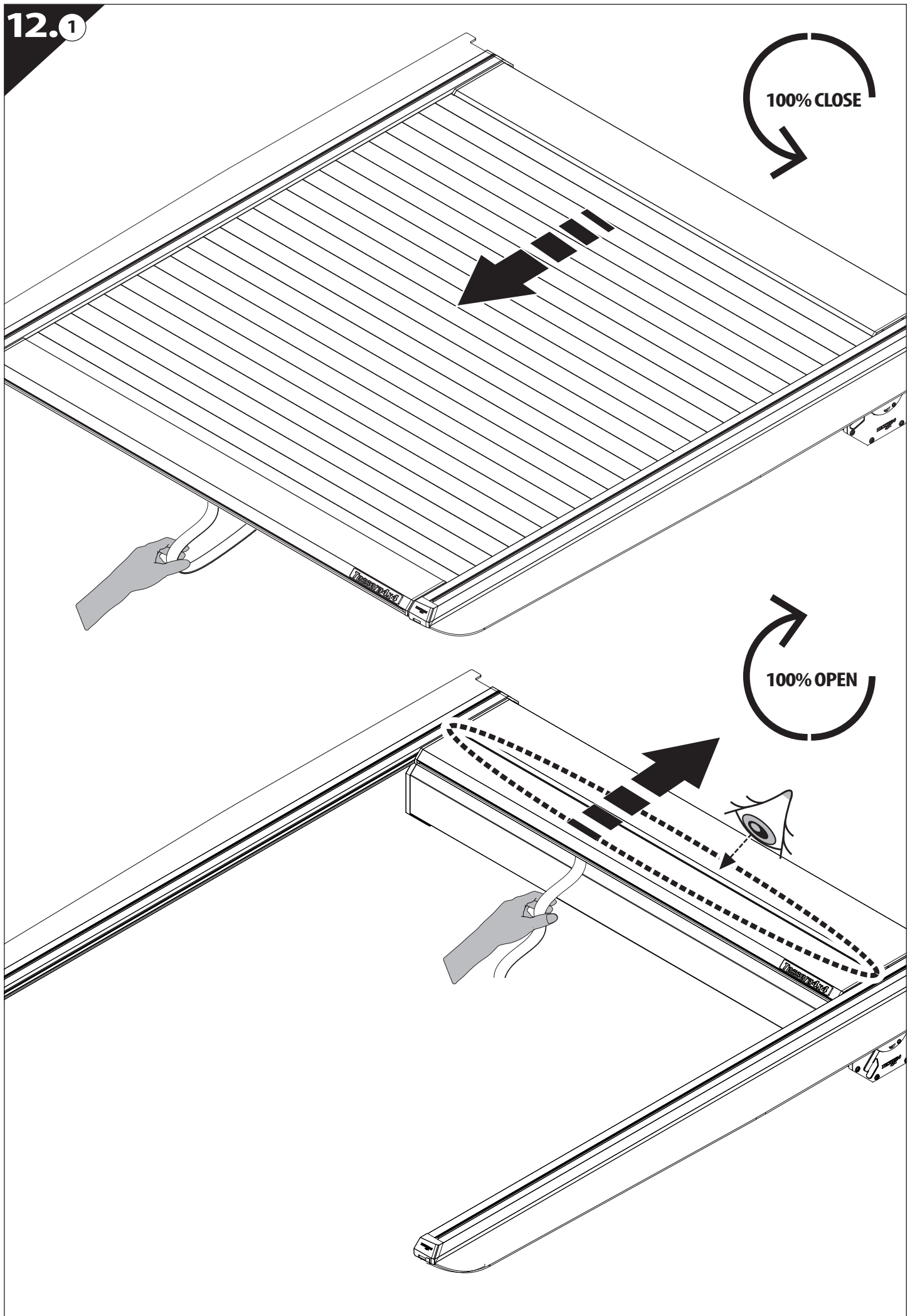


10

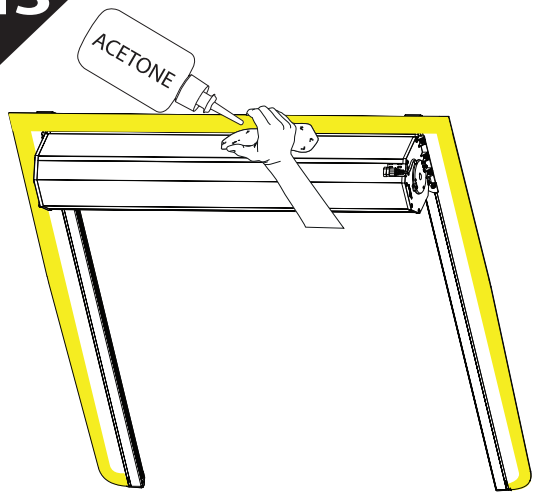




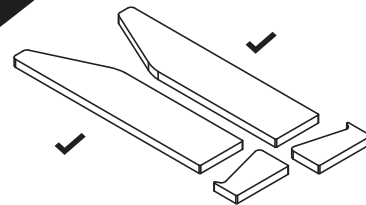
12.0



13



L3

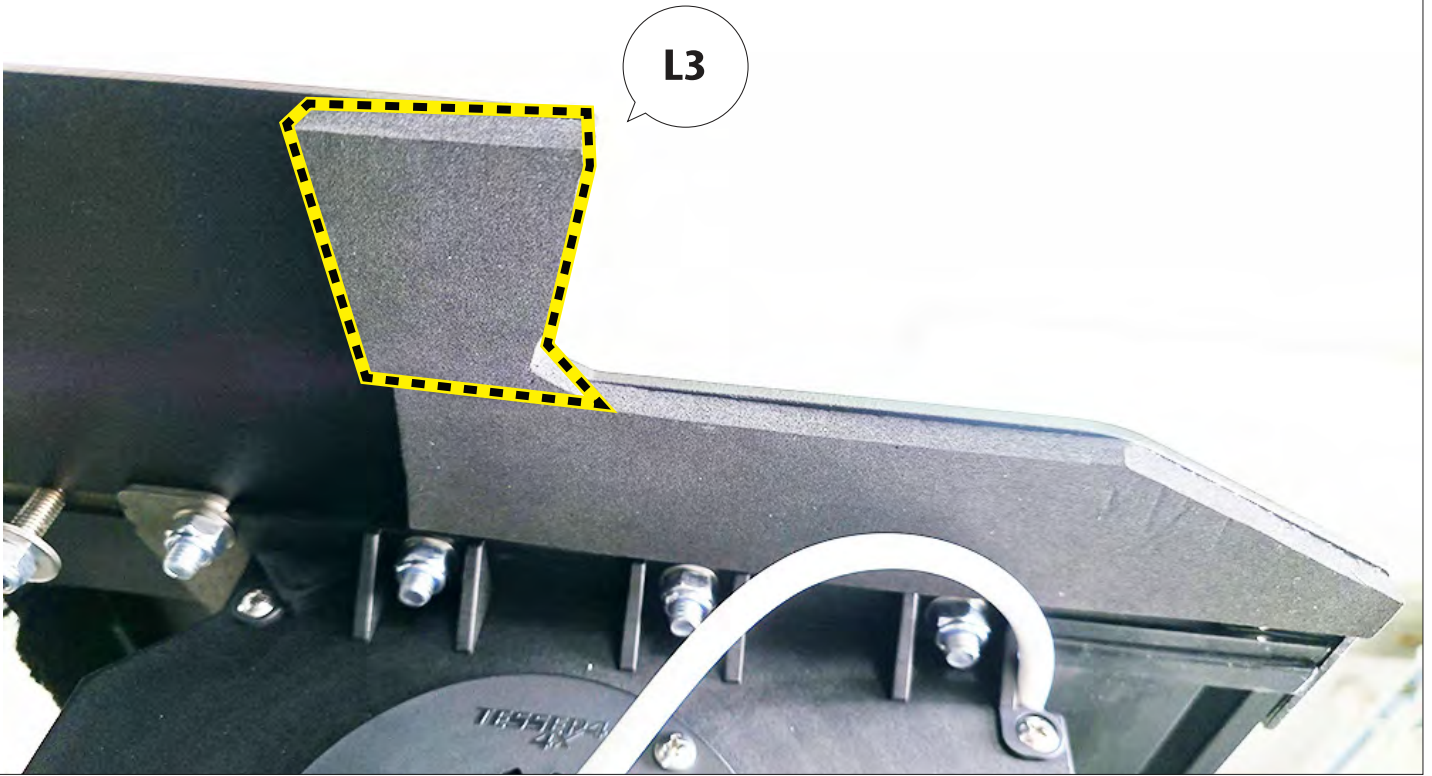
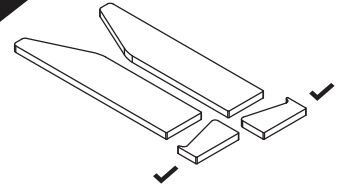


L3



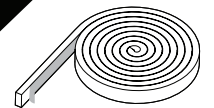
14

L3

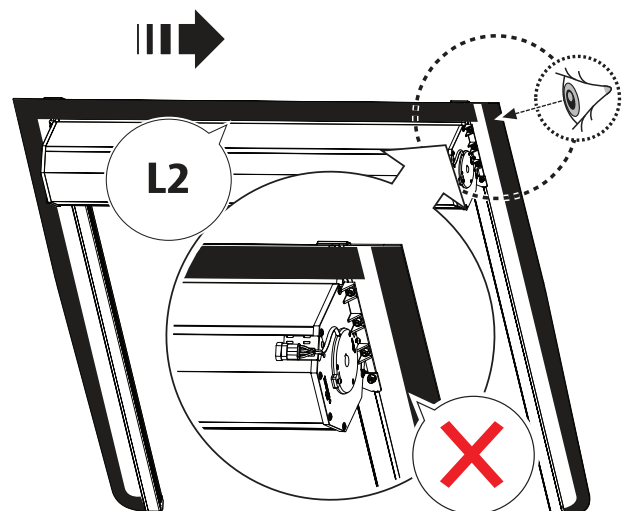
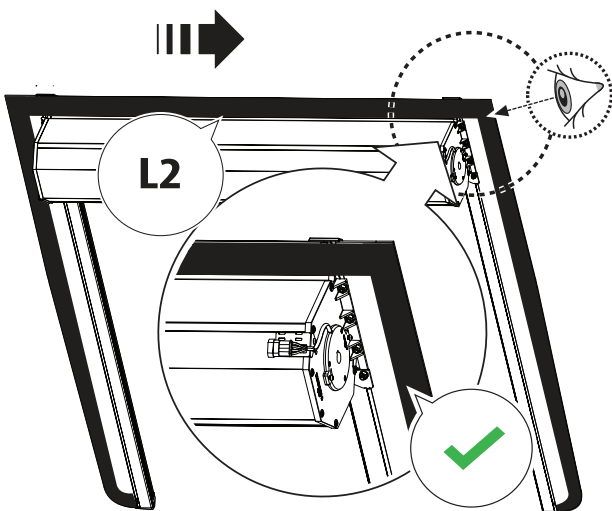


14.①

L2

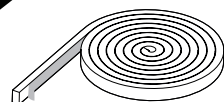


5 x 0.8 x 167cm



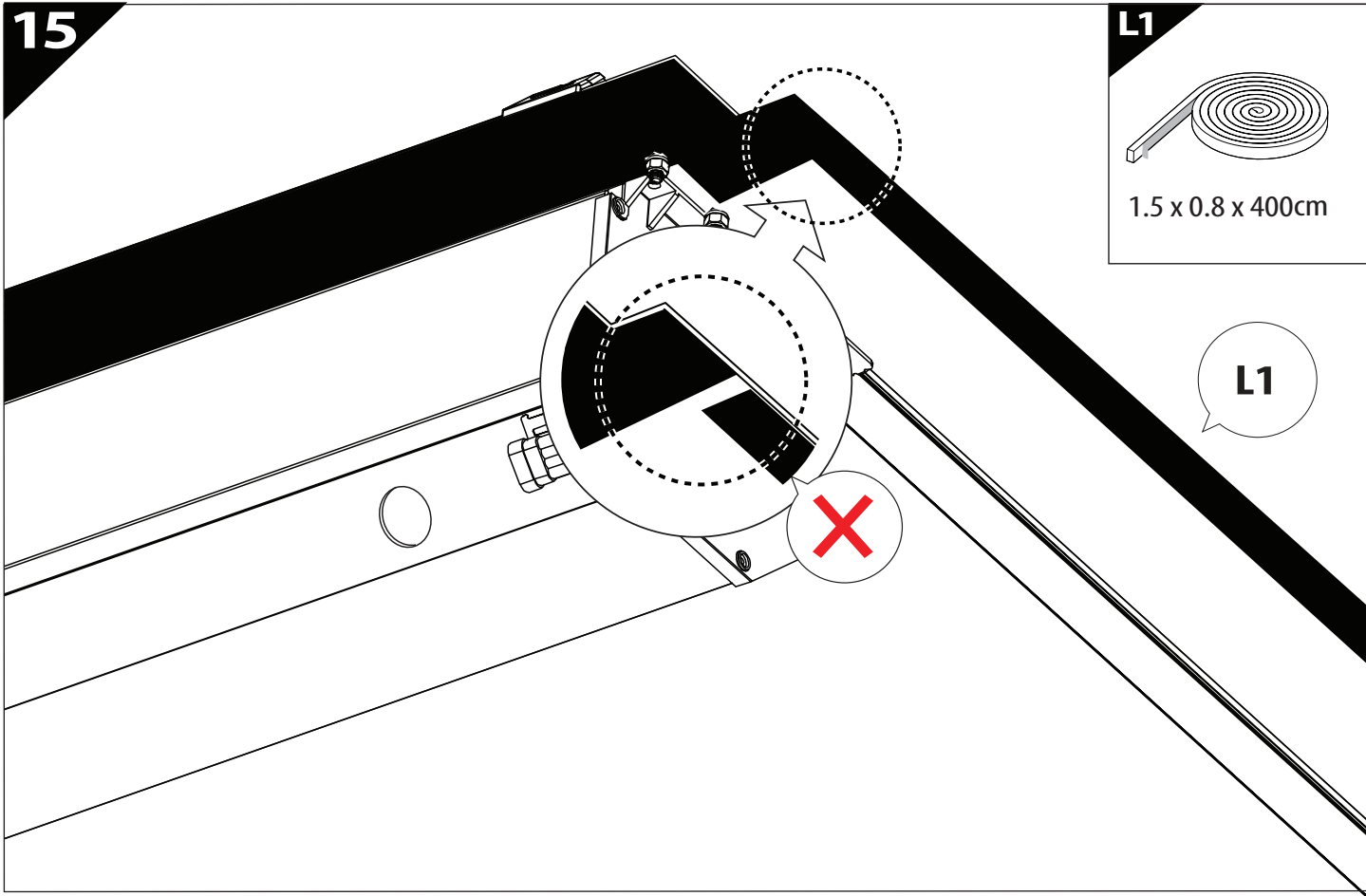
15

L1



1.5 x 0.8 x 400cm

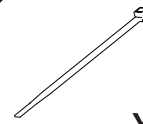
L1



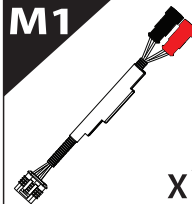
16

K

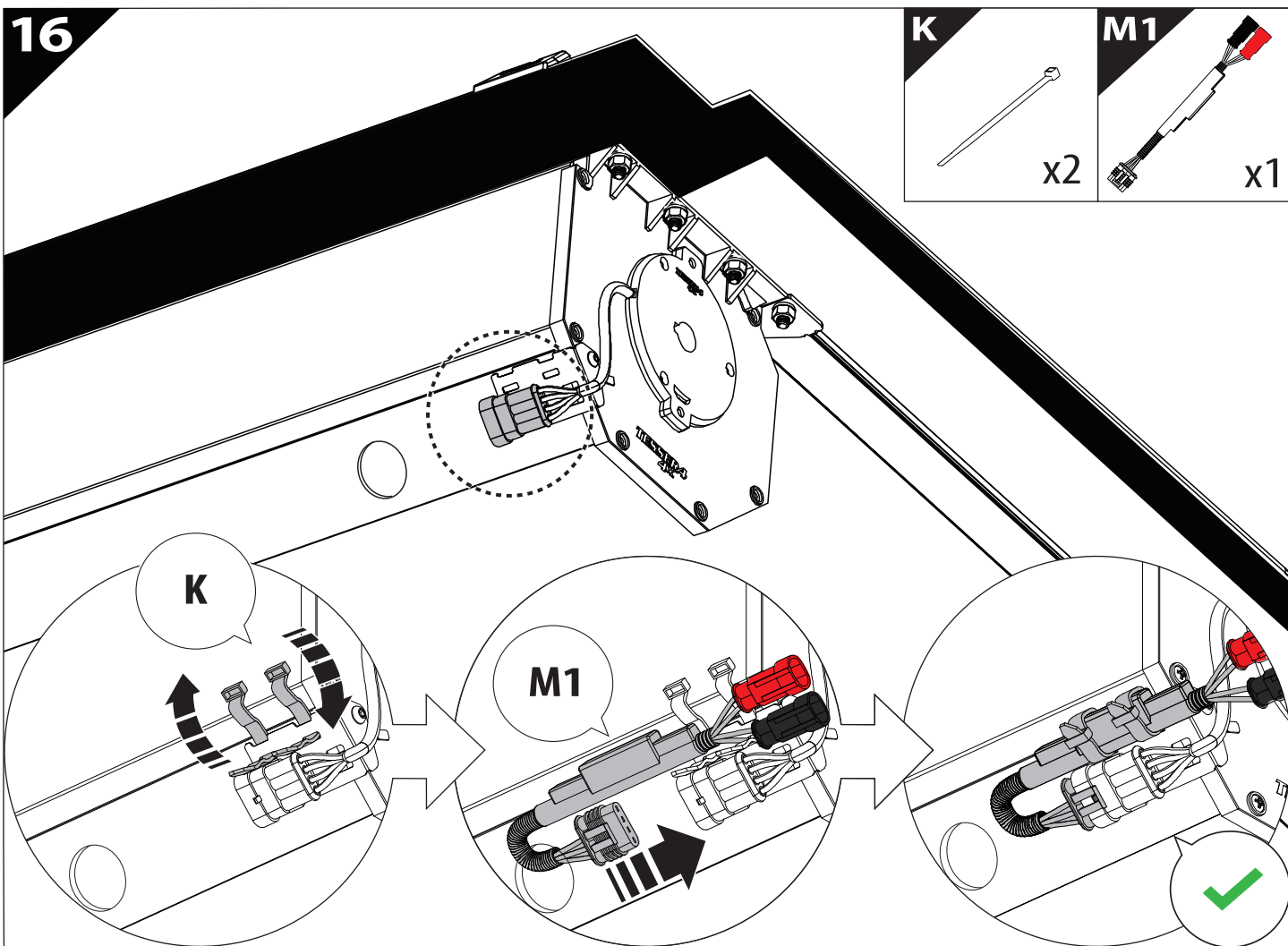
M1



x2



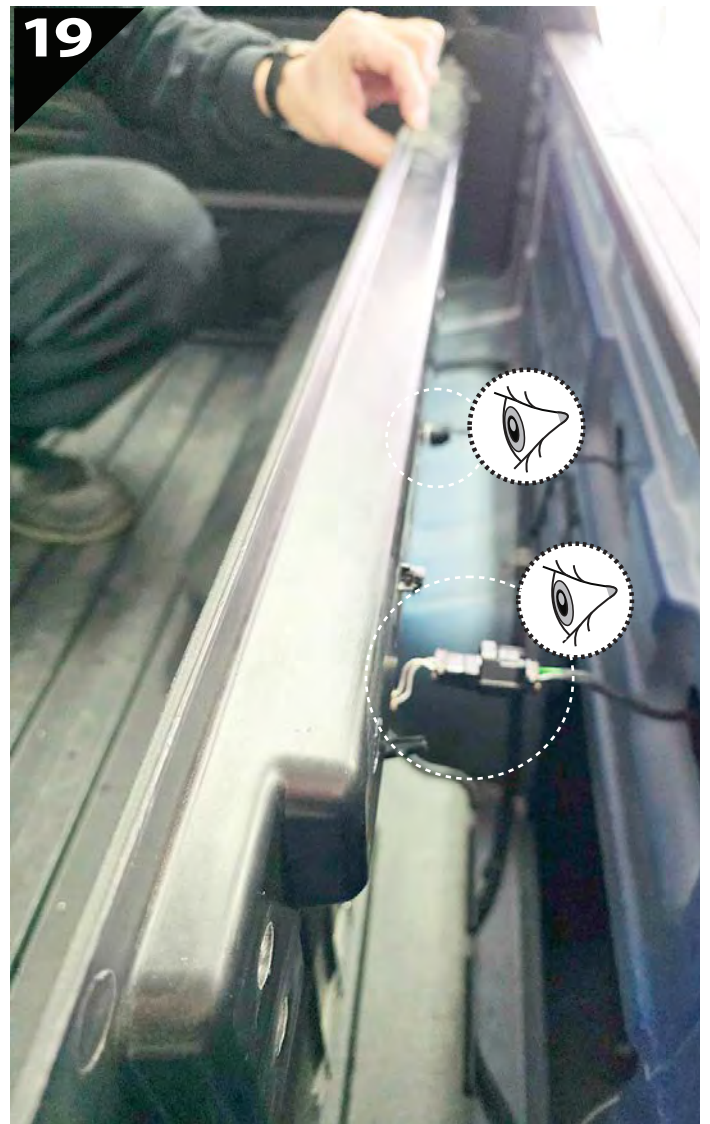
x1



K

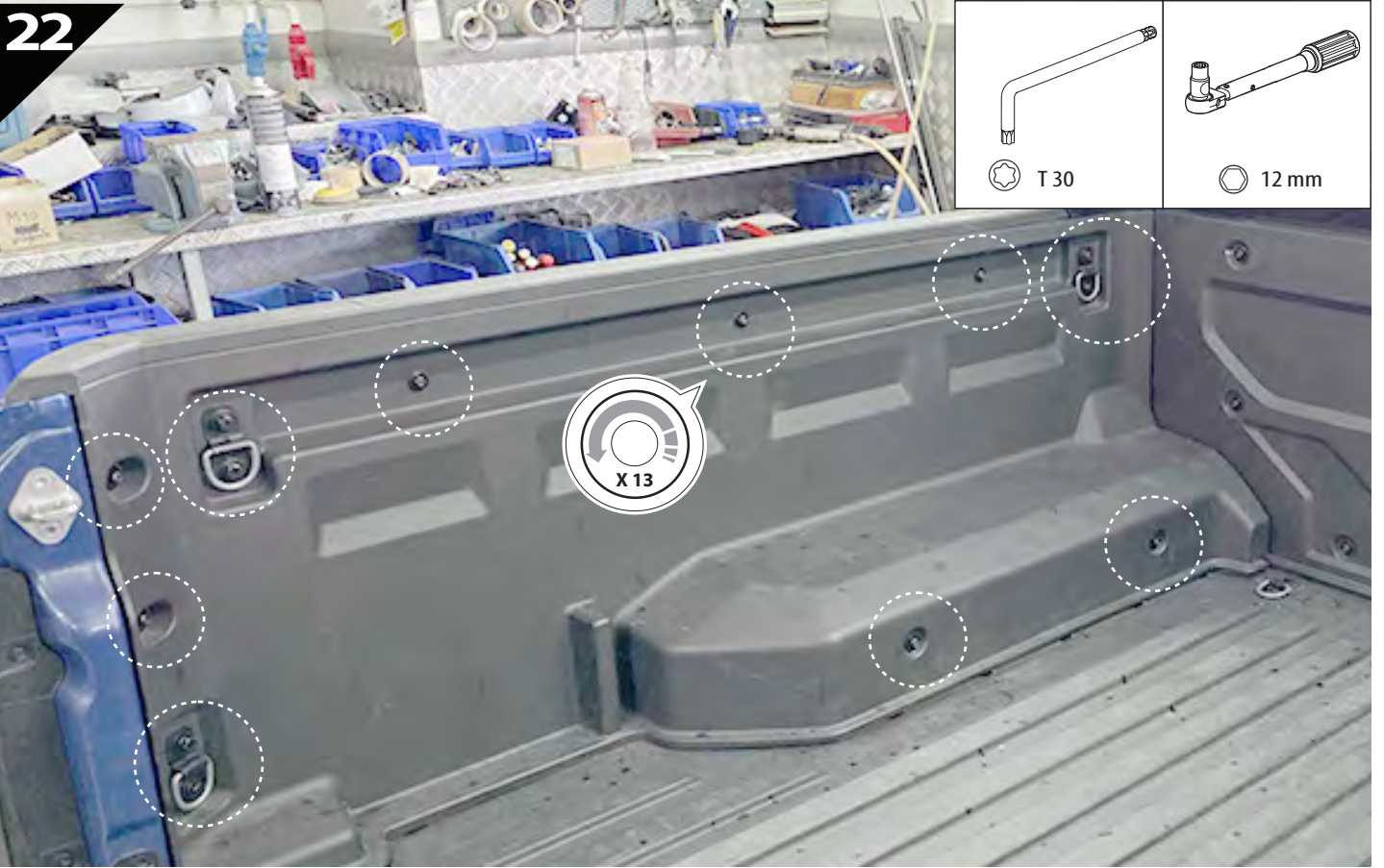
M1







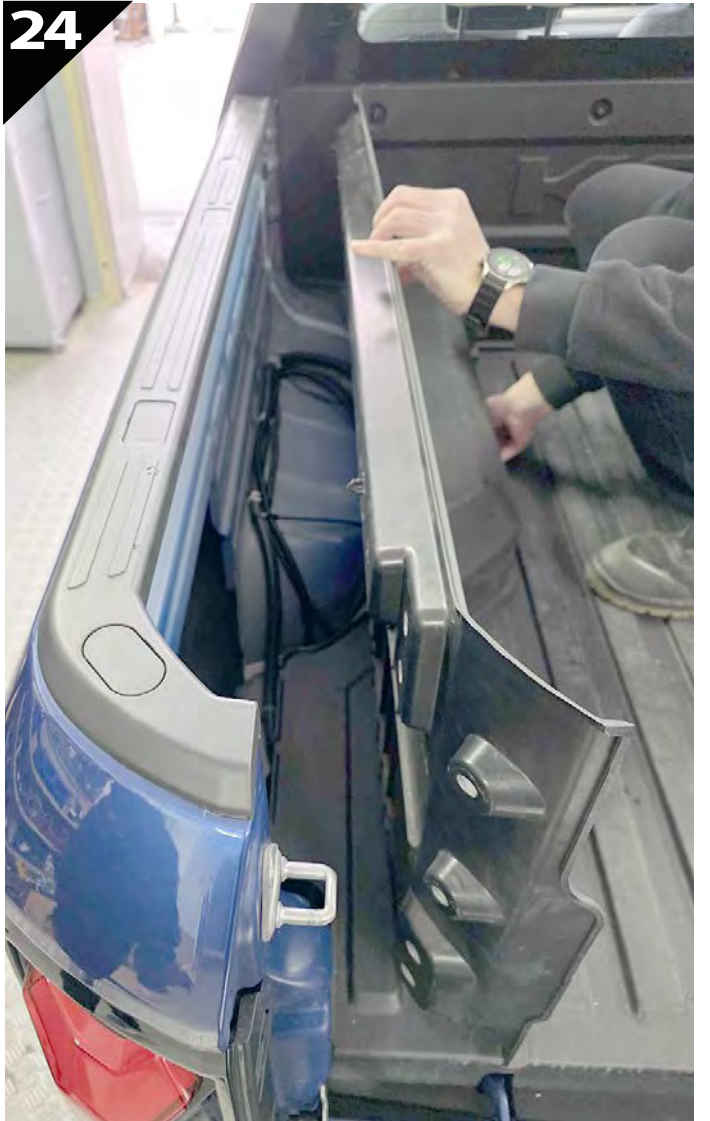
22



23



24



25

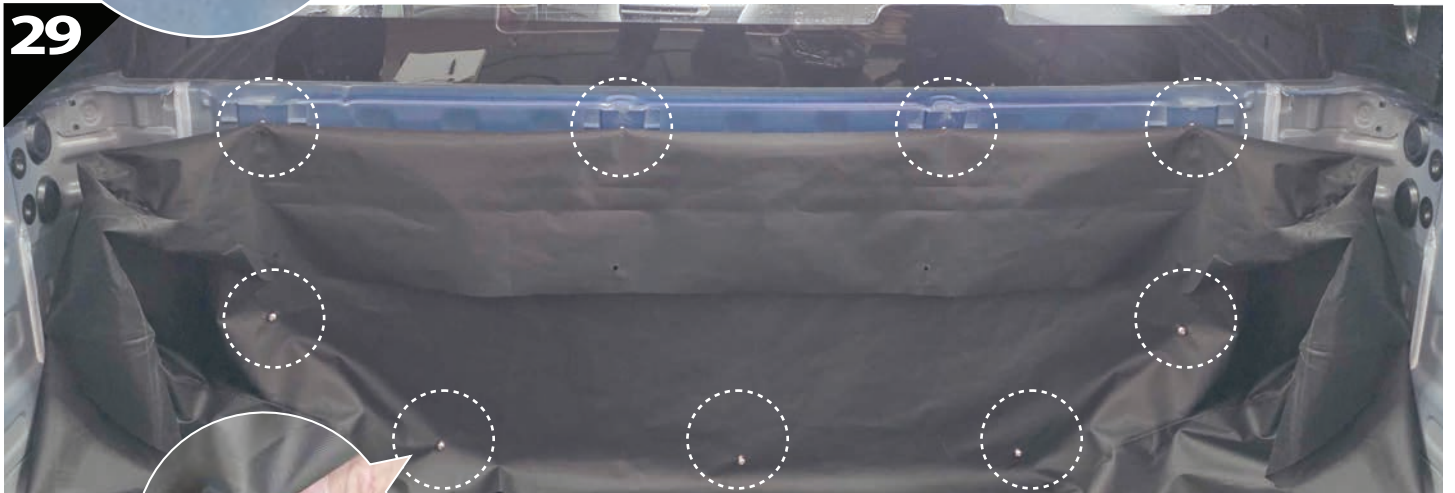
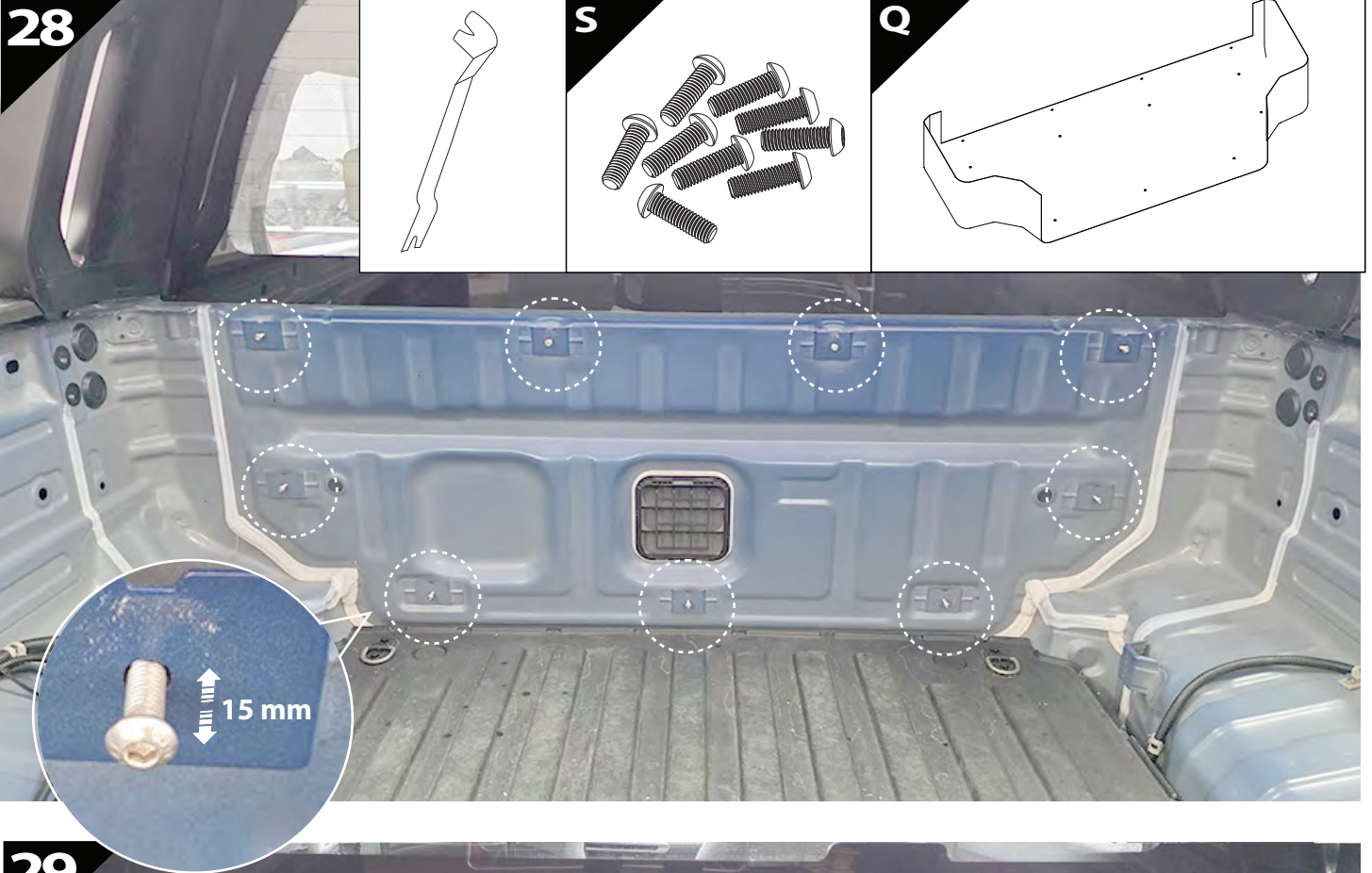


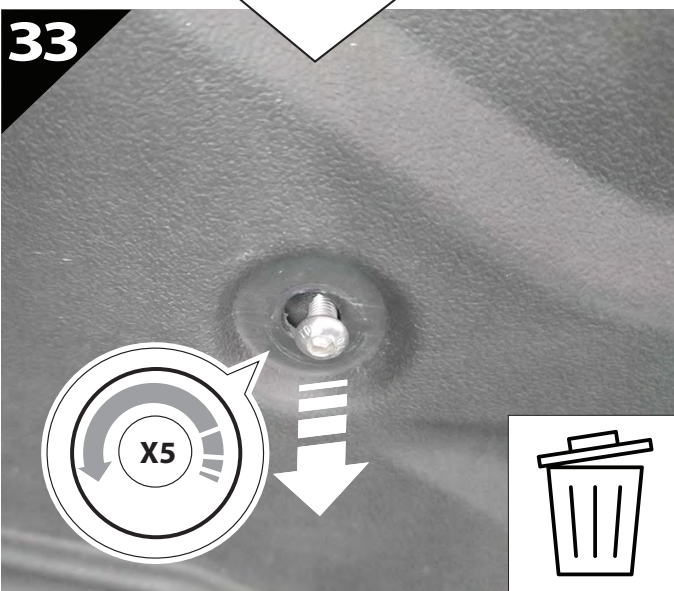
26

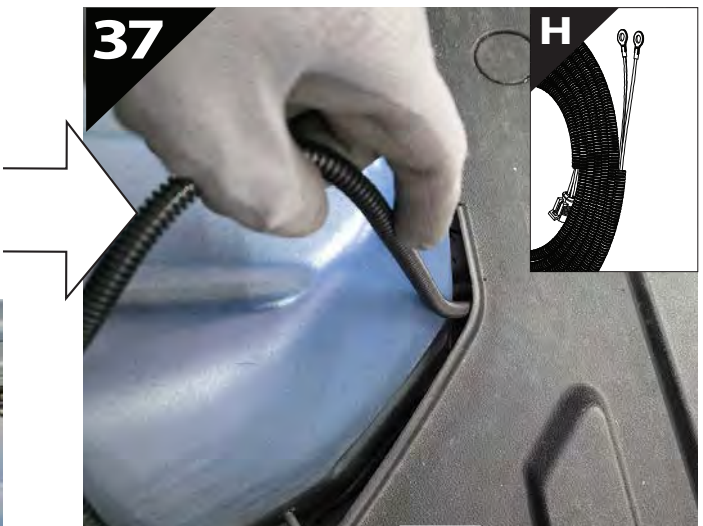
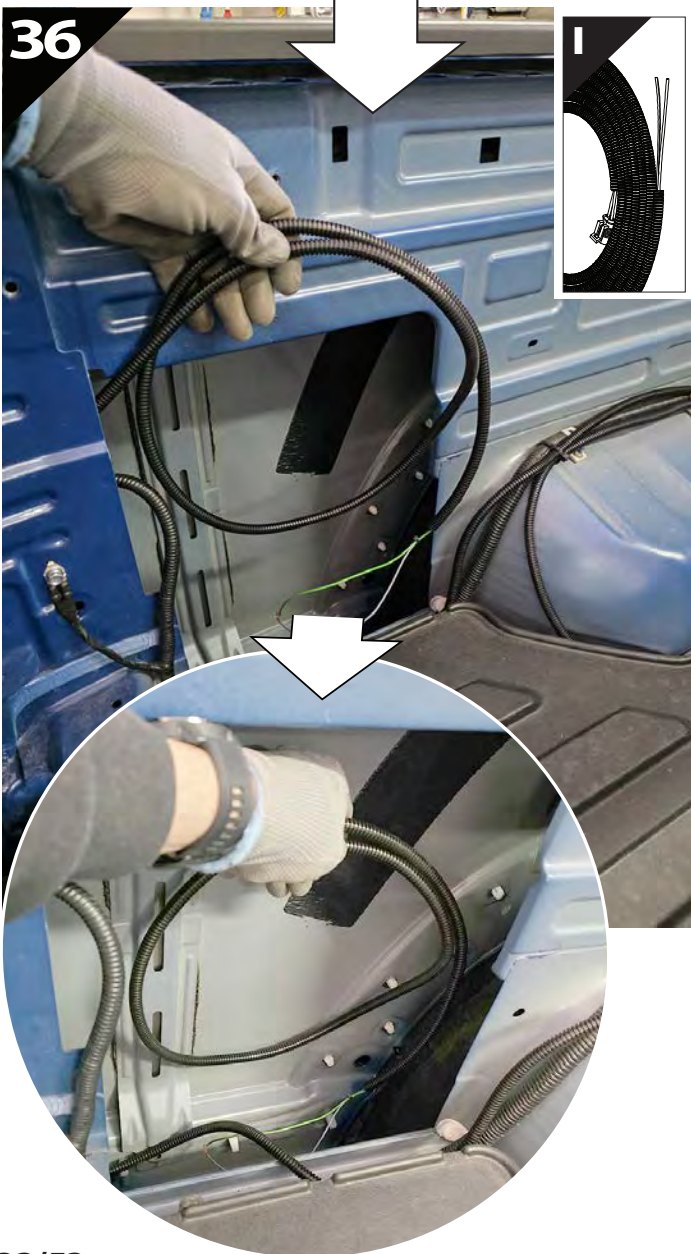
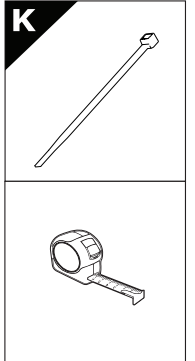
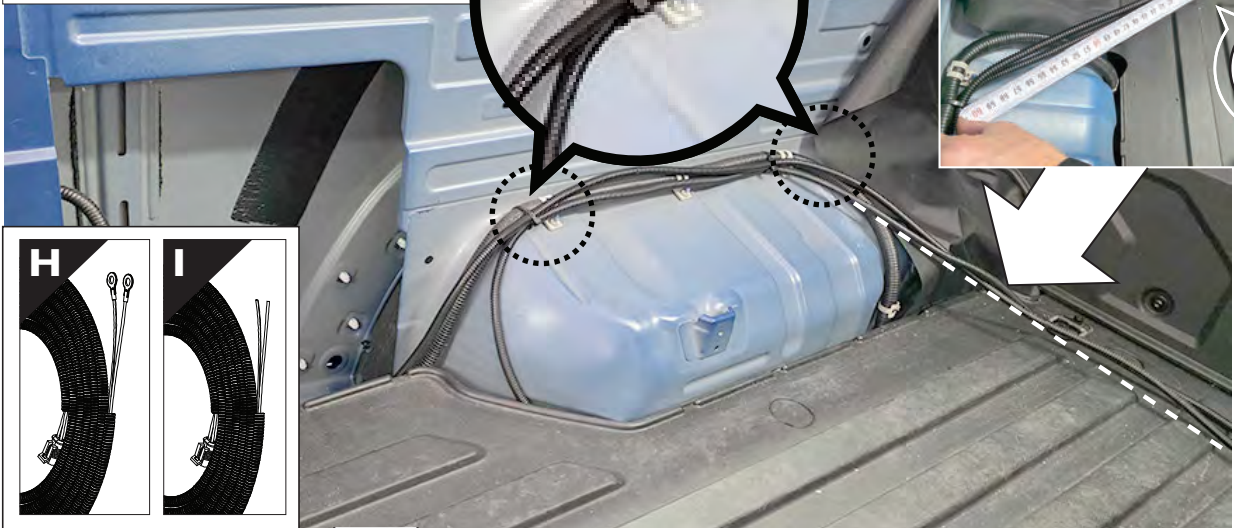
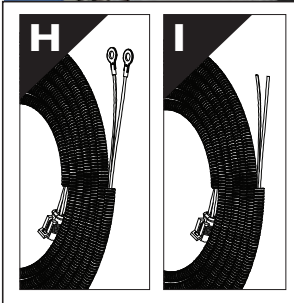
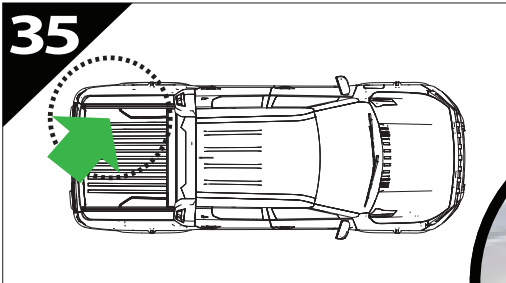


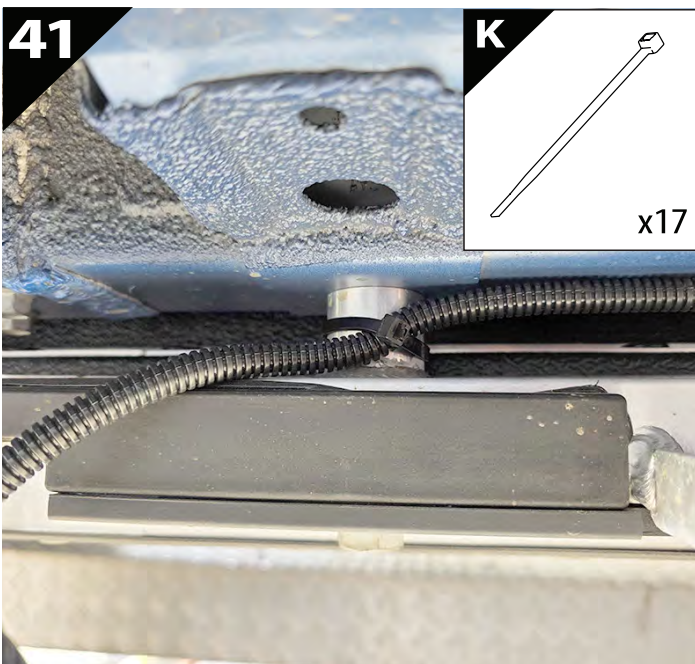
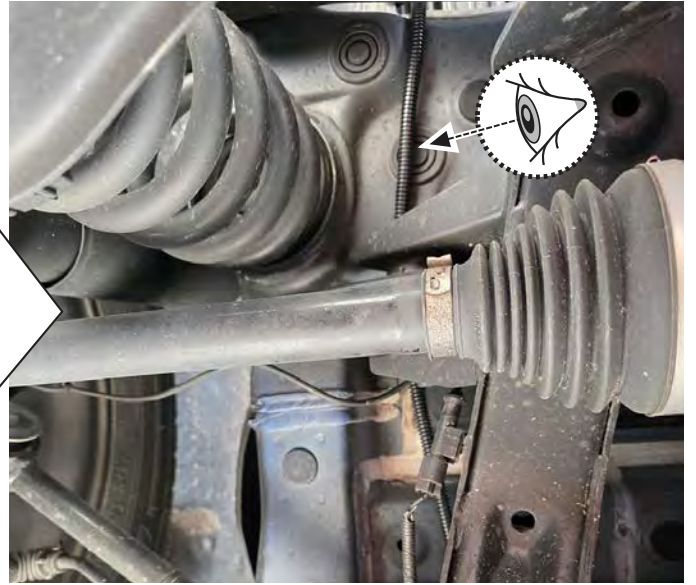
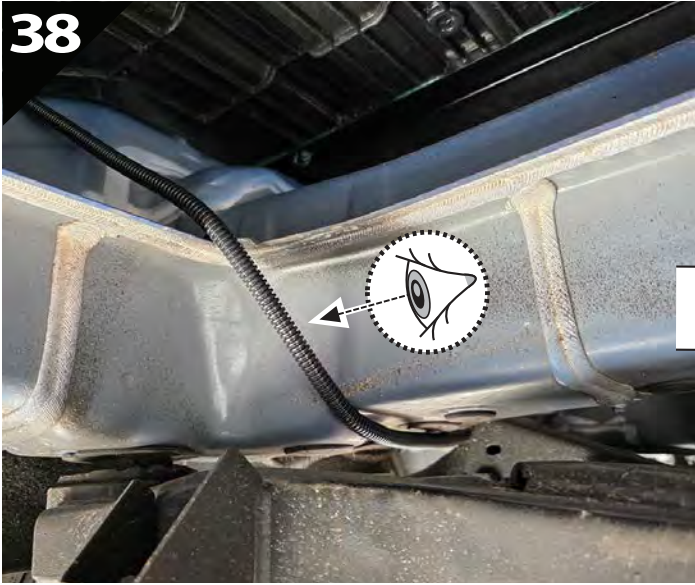
27

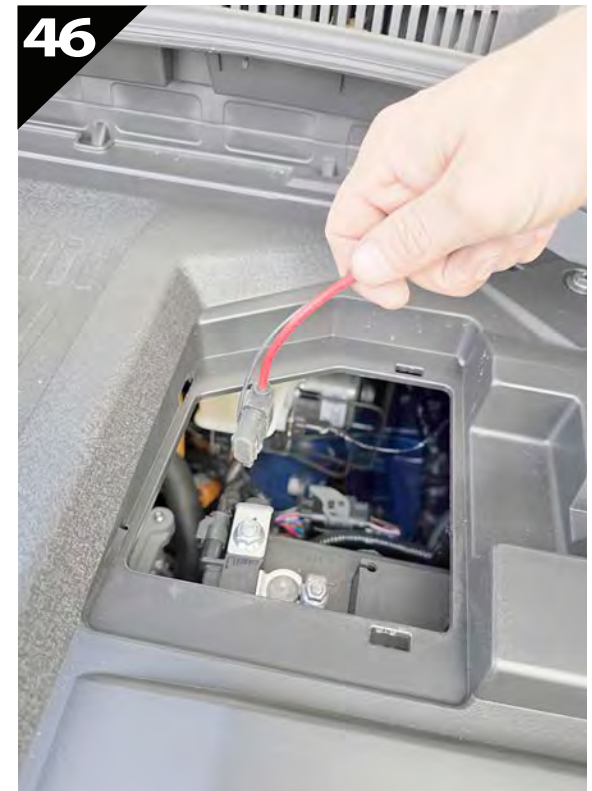
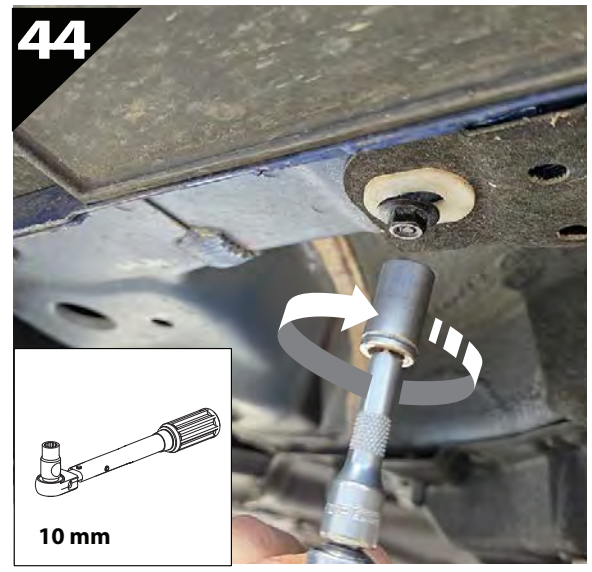
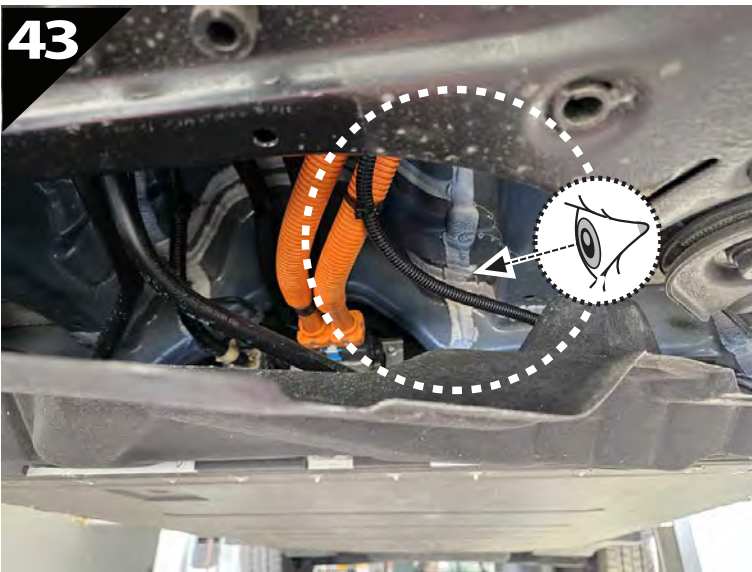
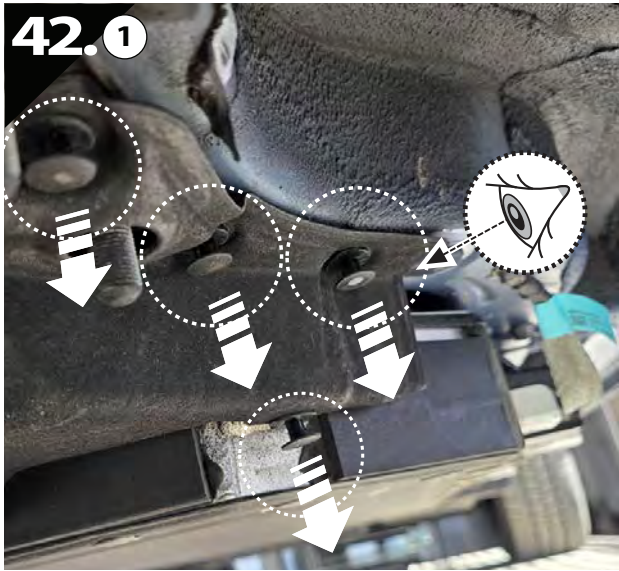


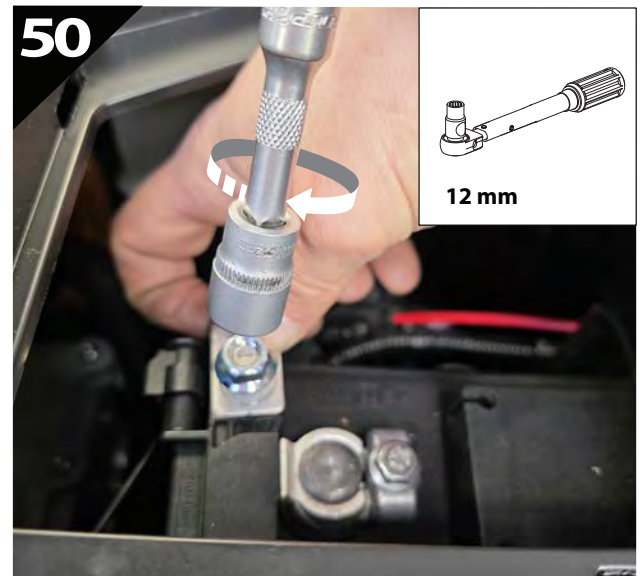
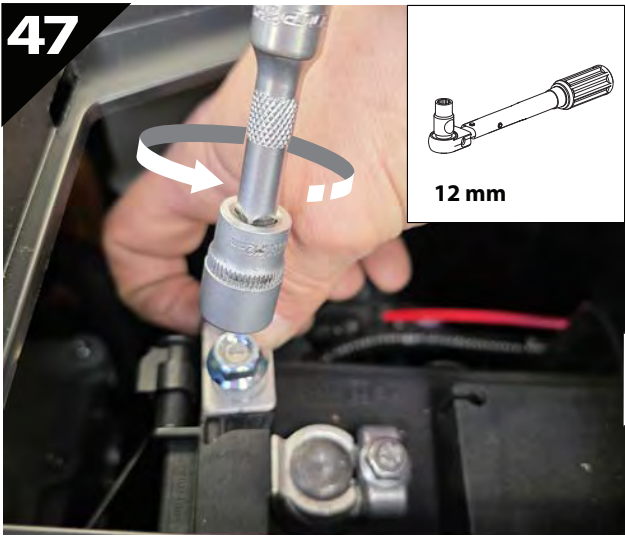




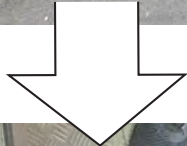
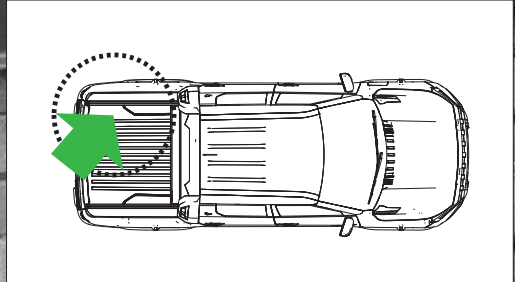




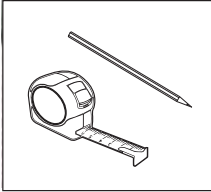
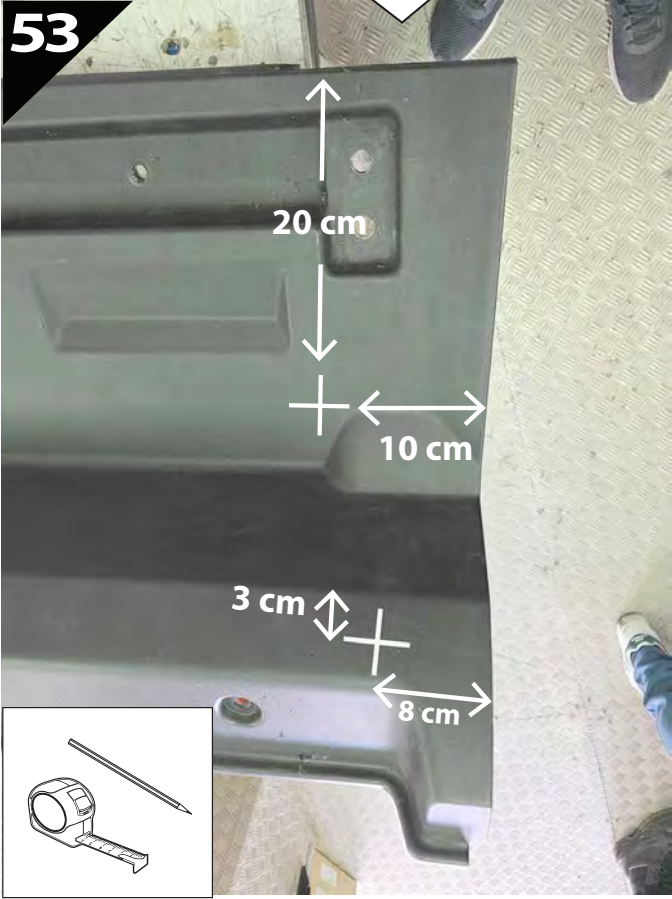




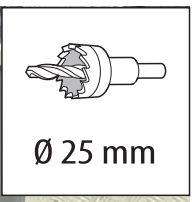
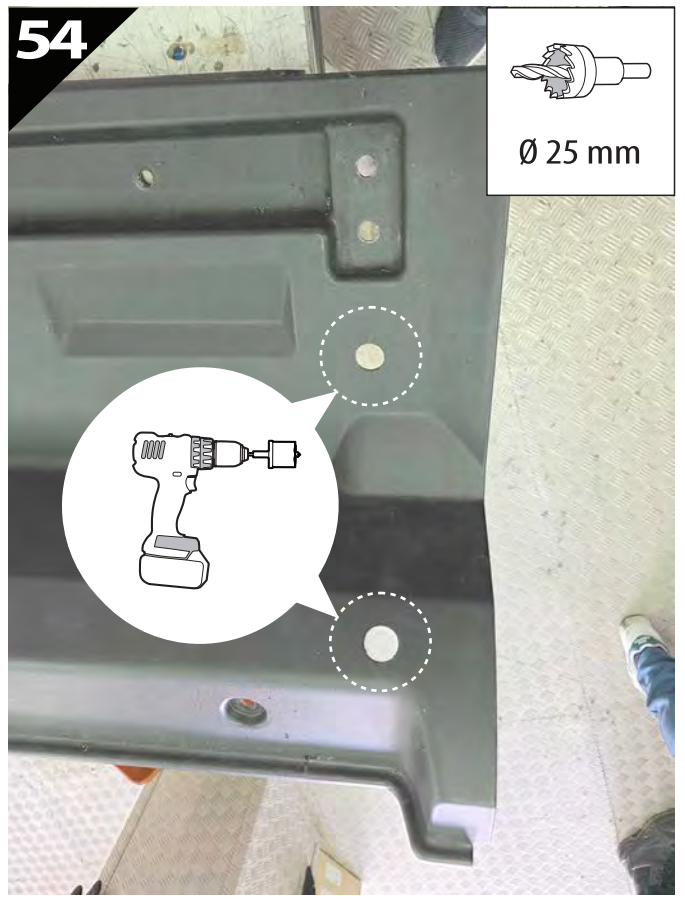
52



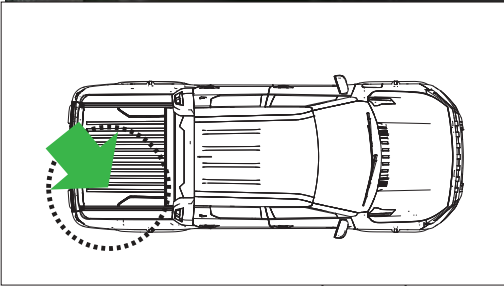
53



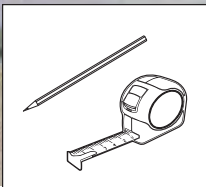
54



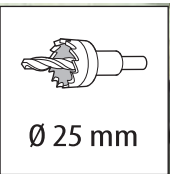
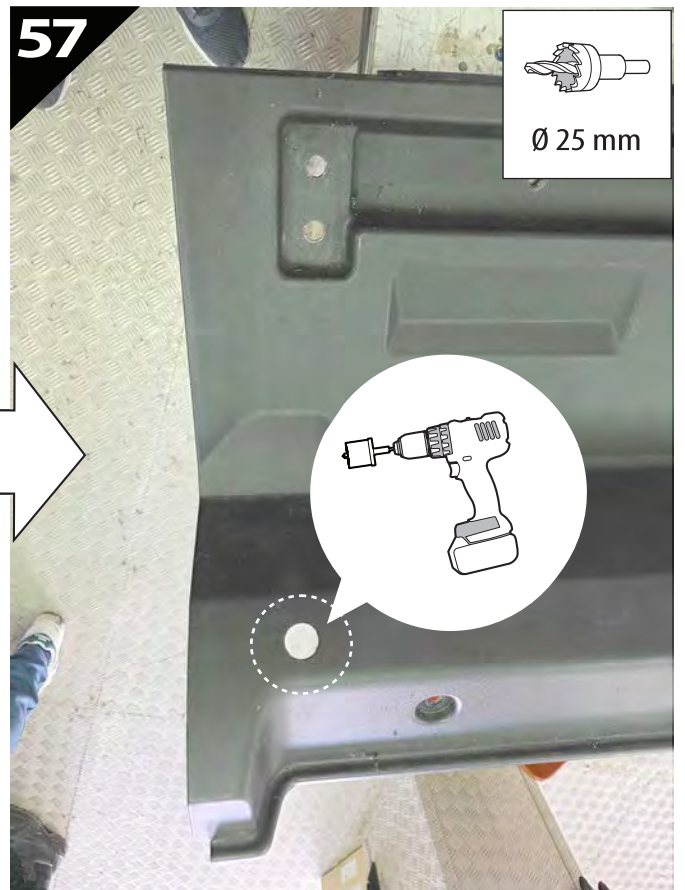
55



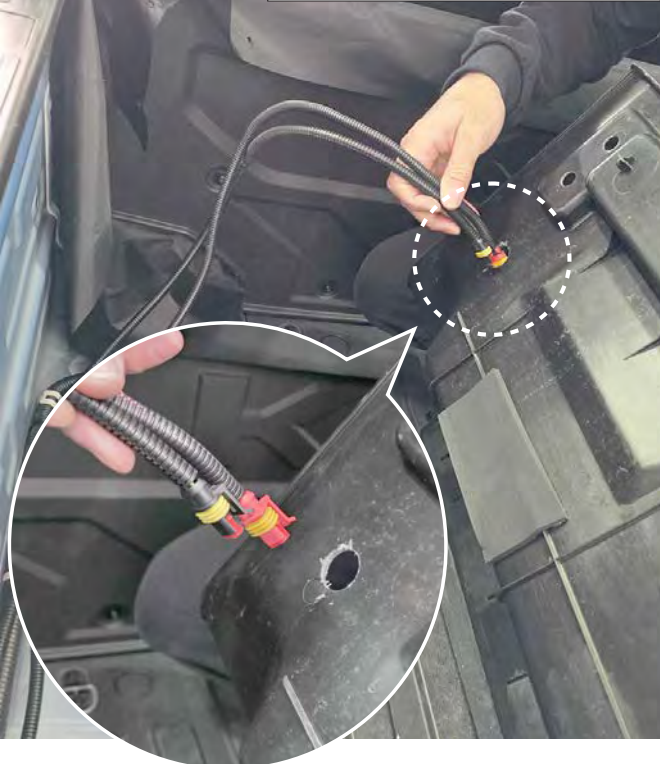
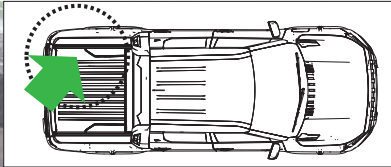
56



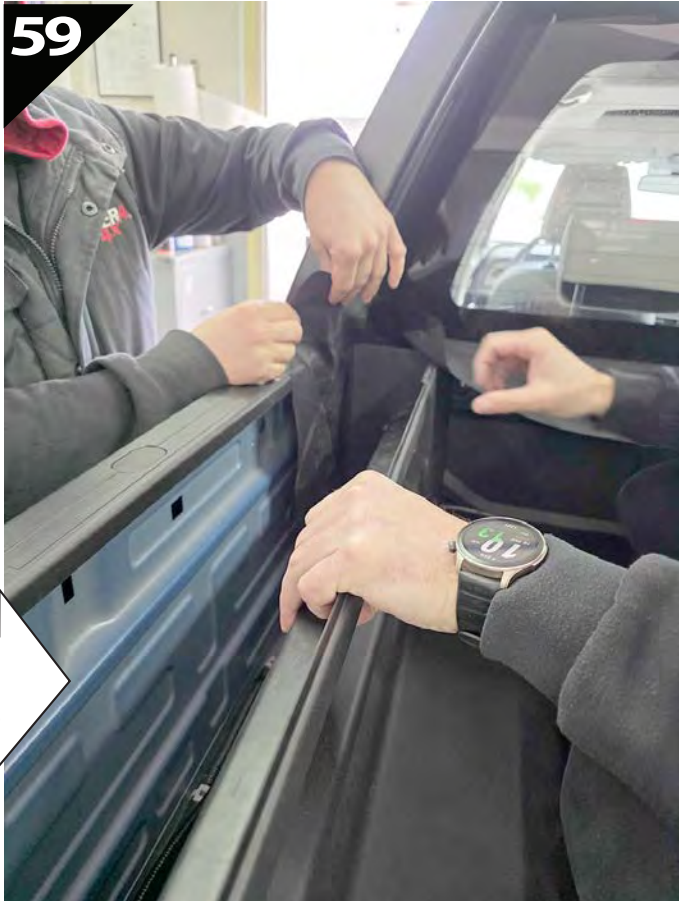
57



58



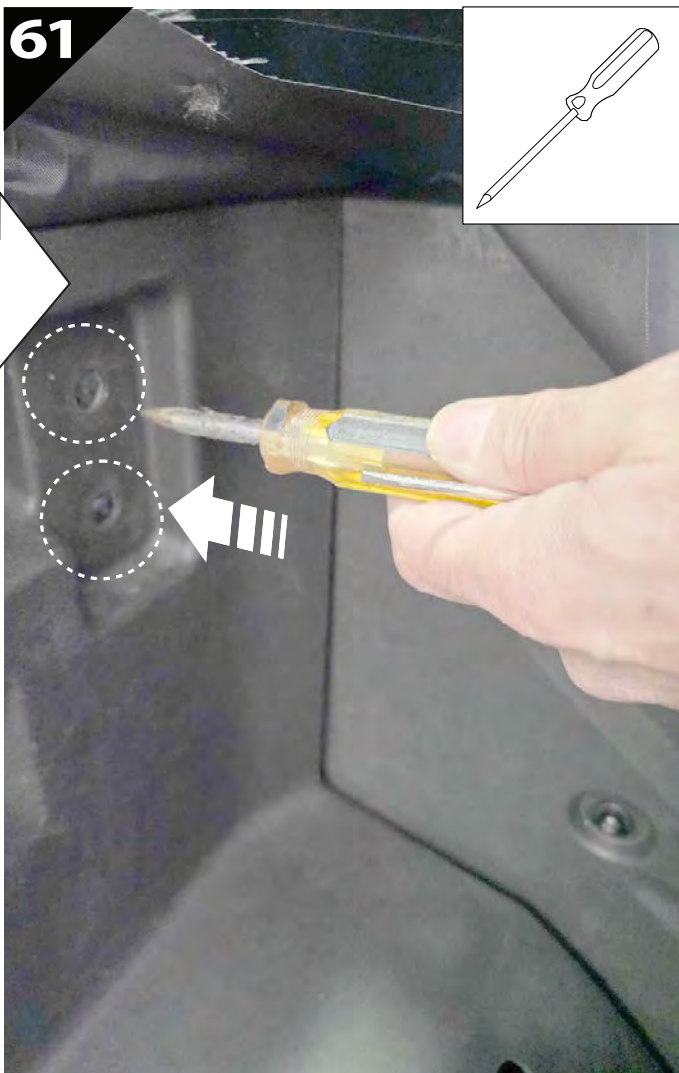
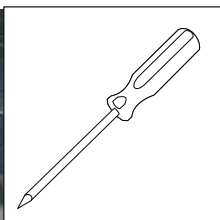
59



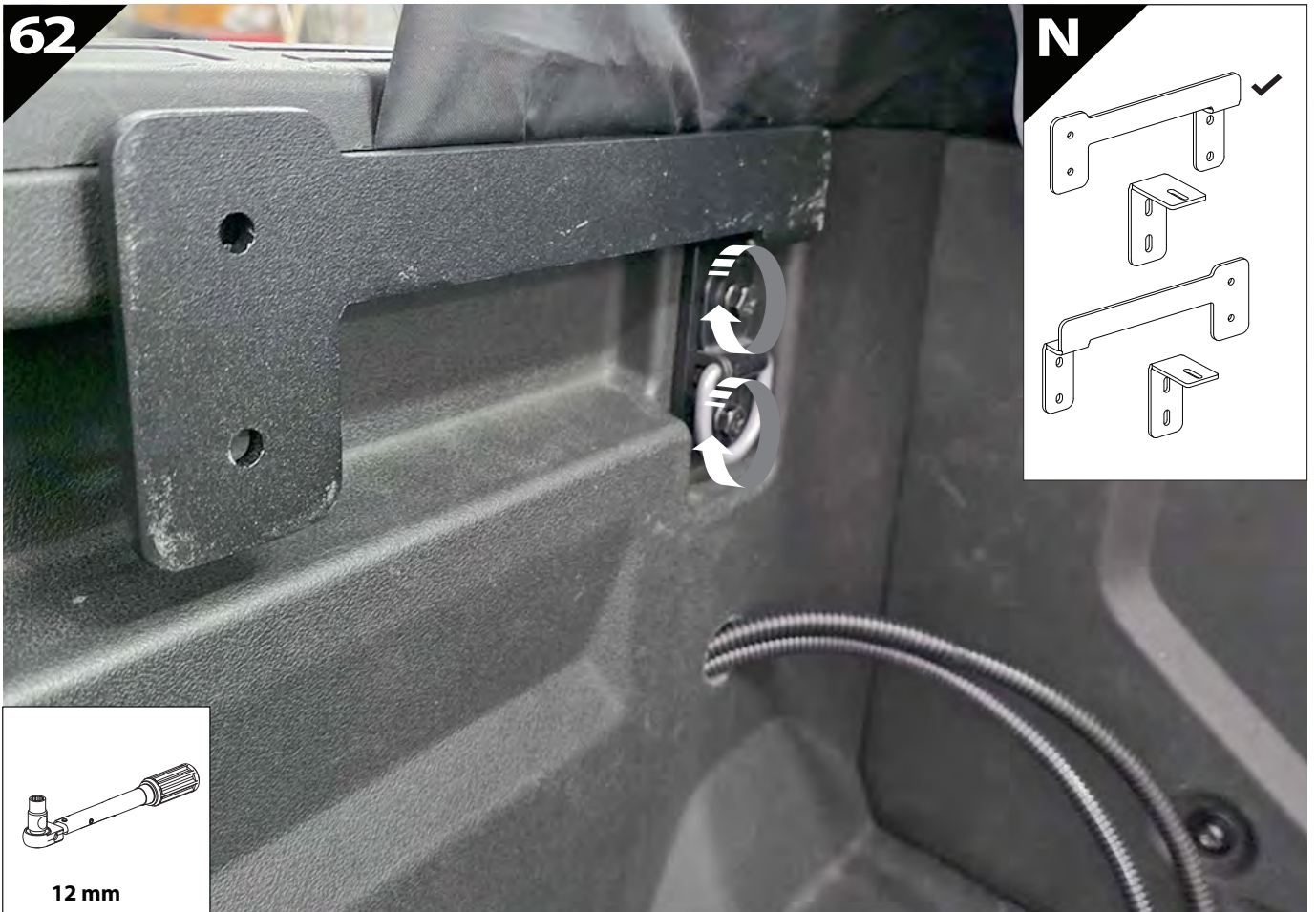
60



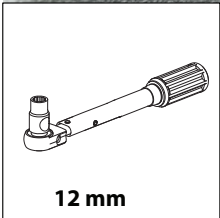
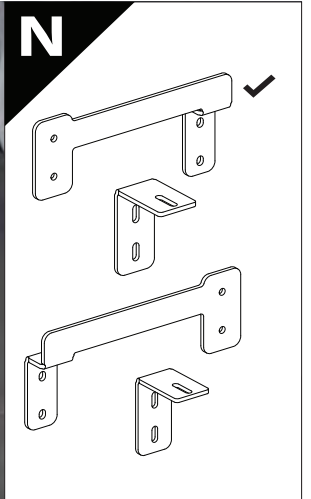
61



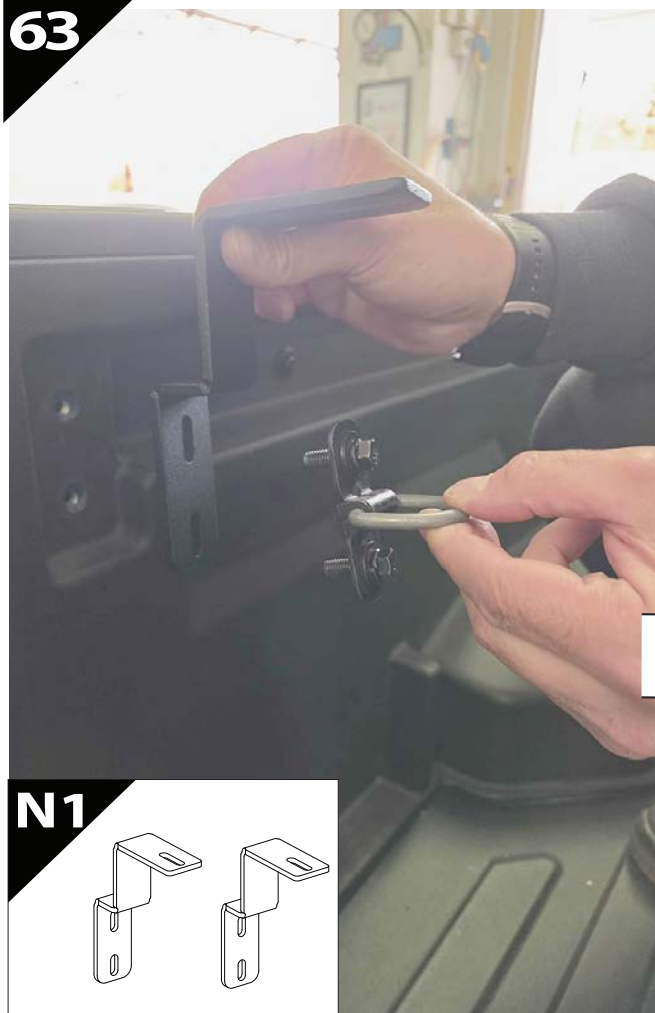
62



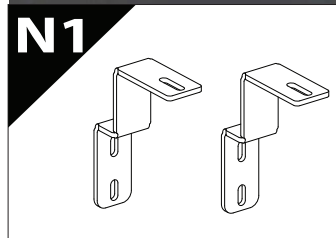
N



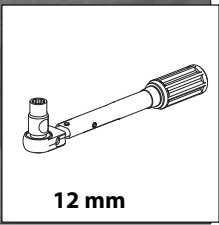
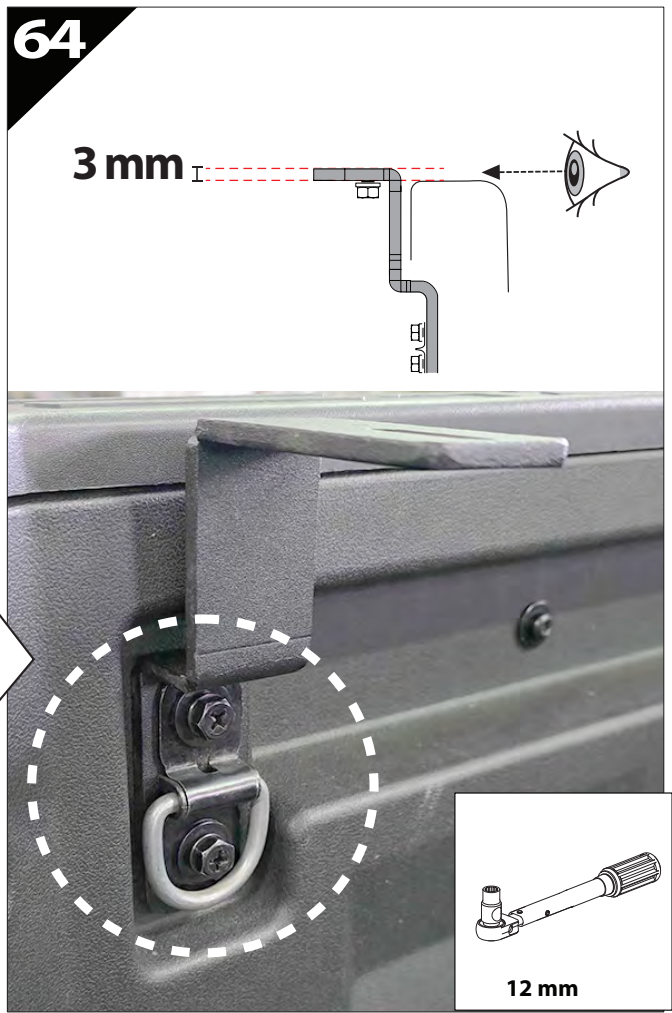
63



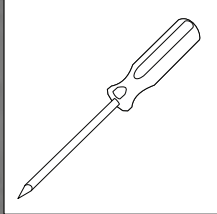
N1



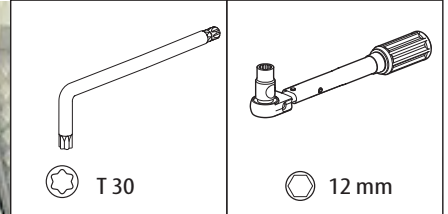
64



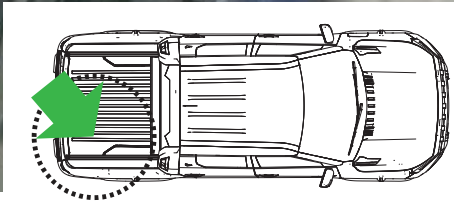
65



66



67



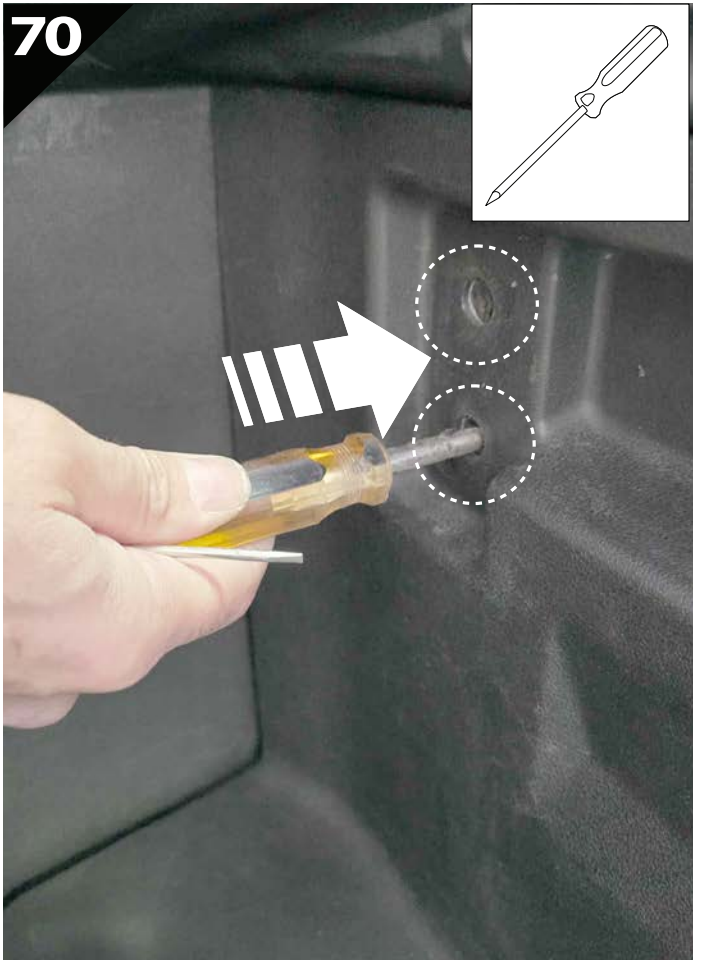
68

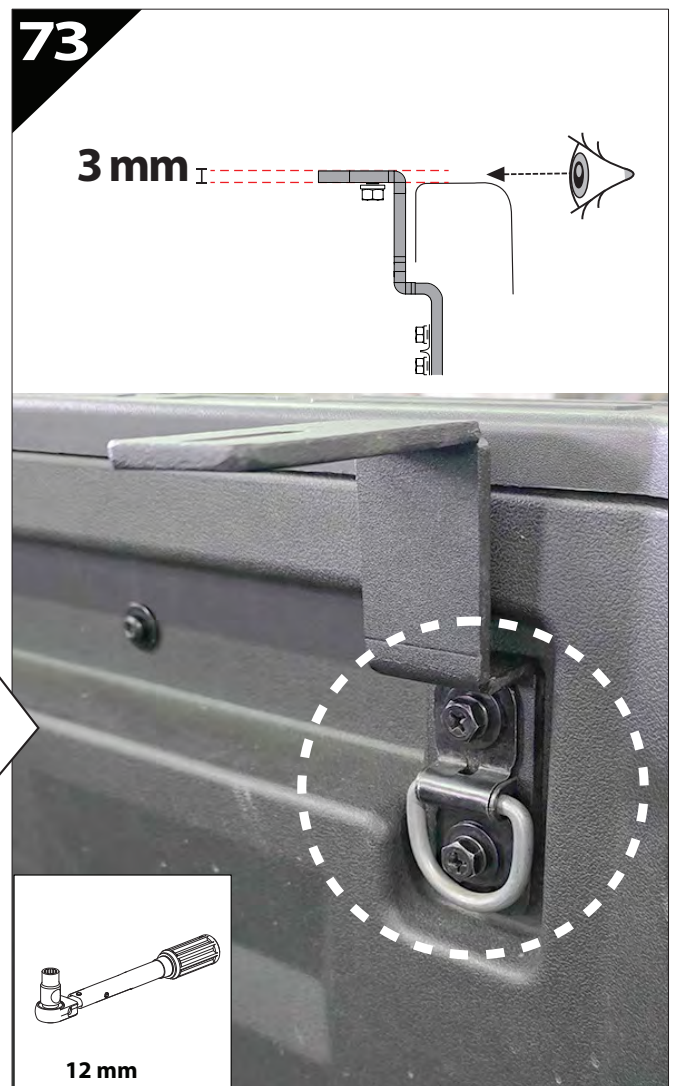


69



70





74



75



76



77

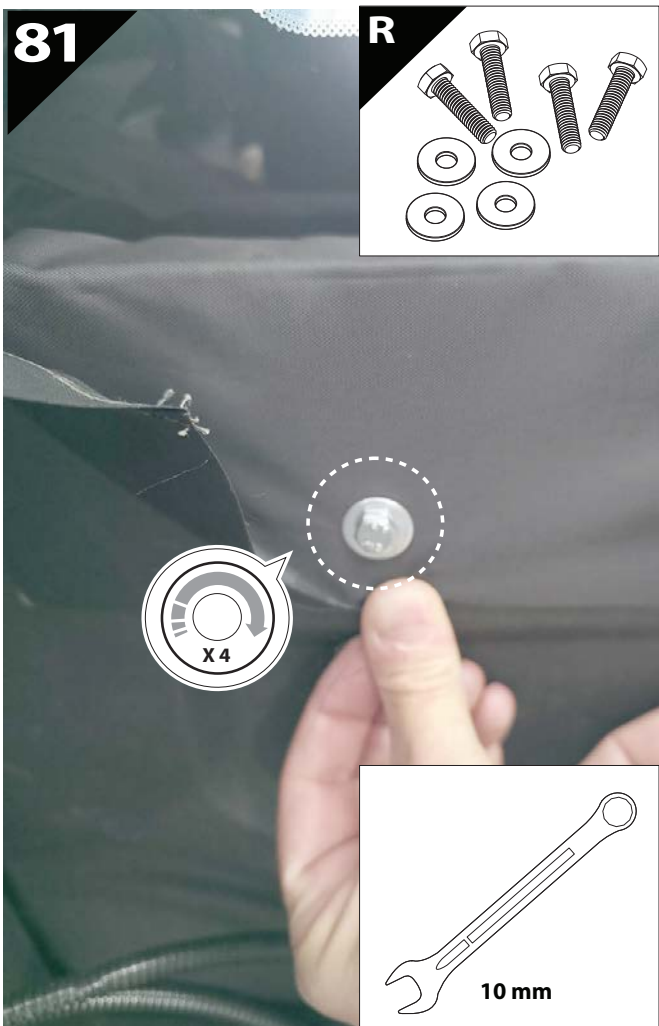


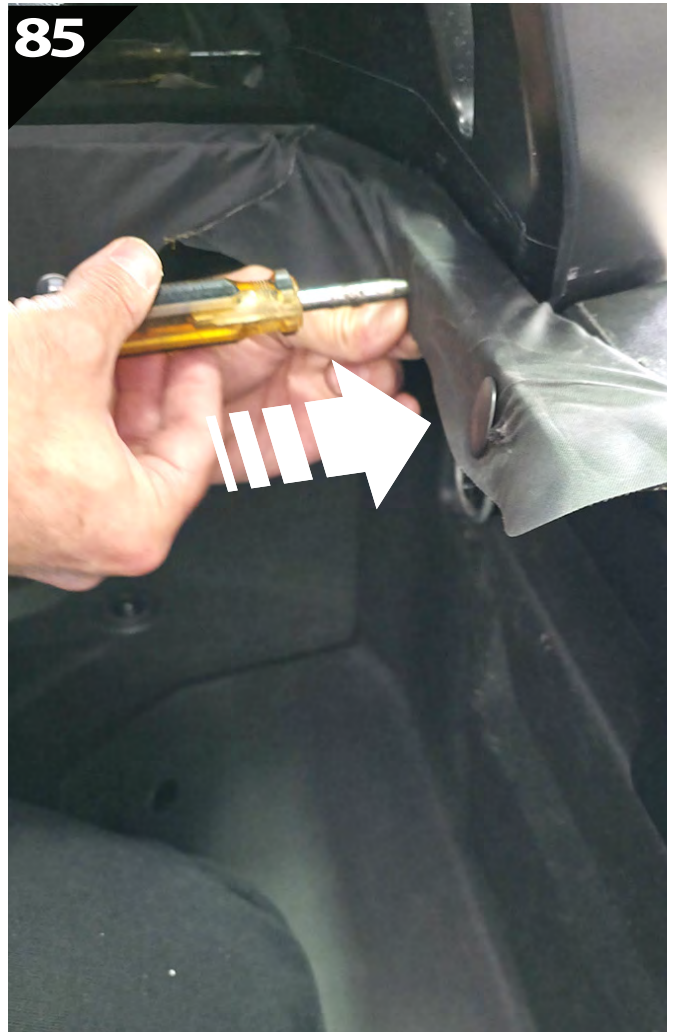
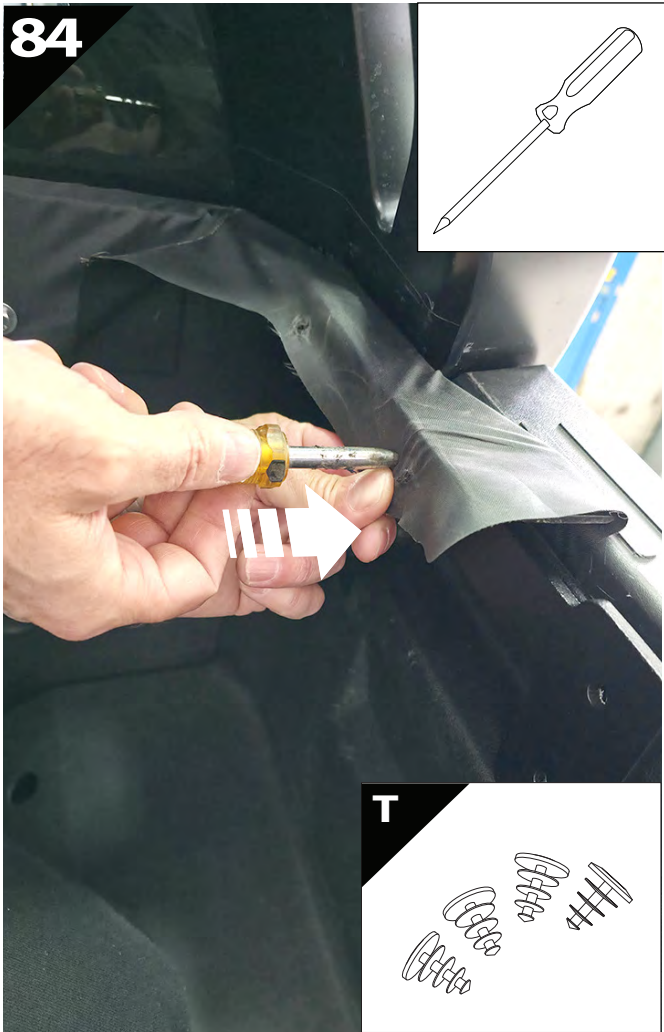
78



79





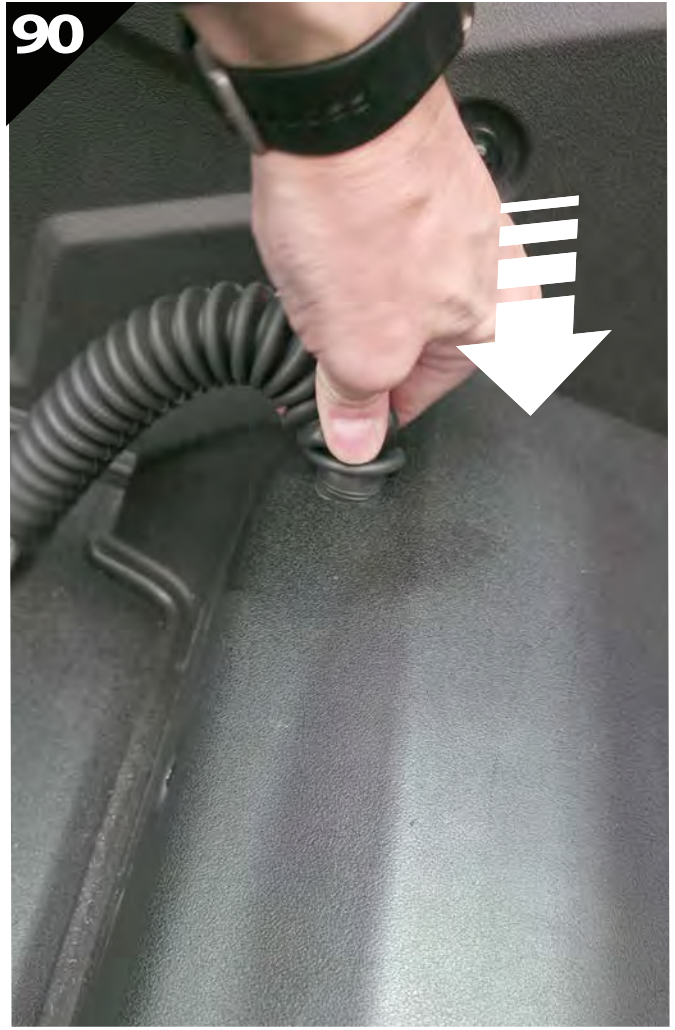




89



90

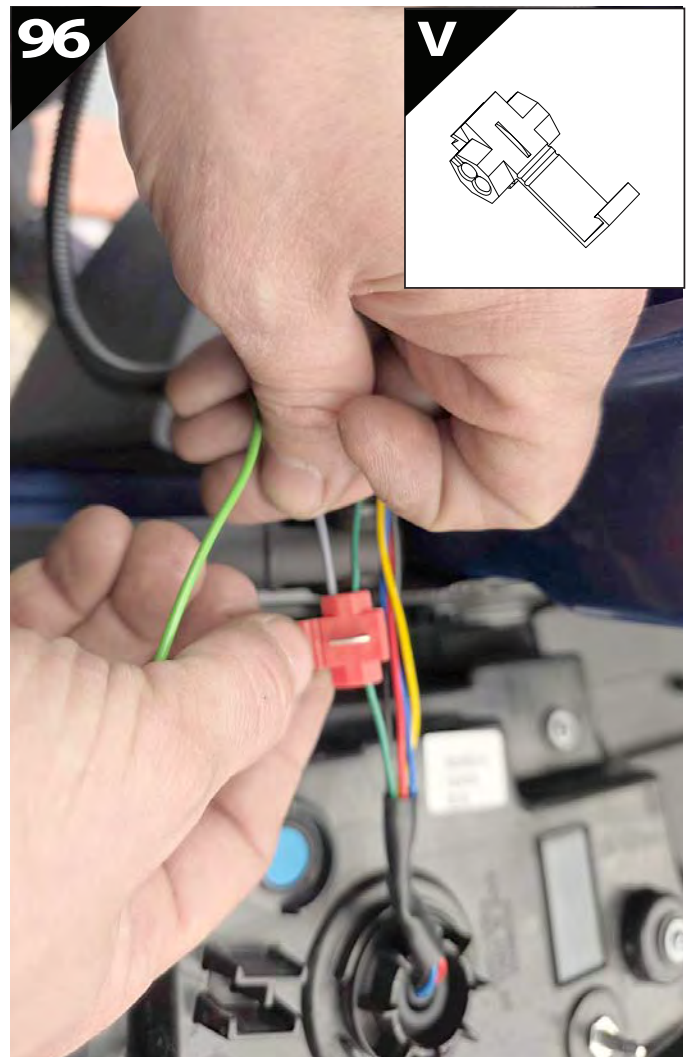
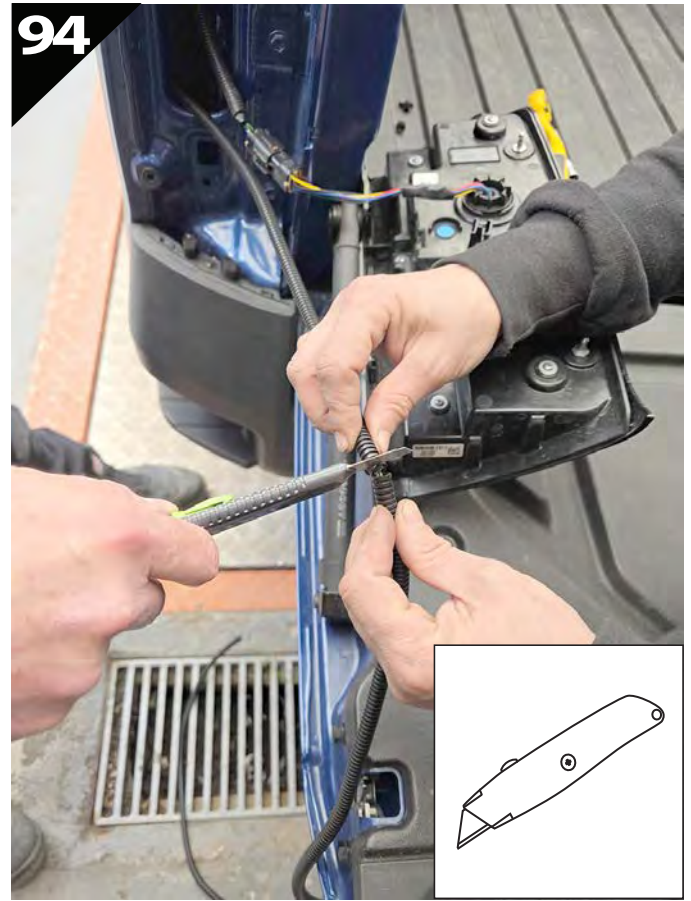


91

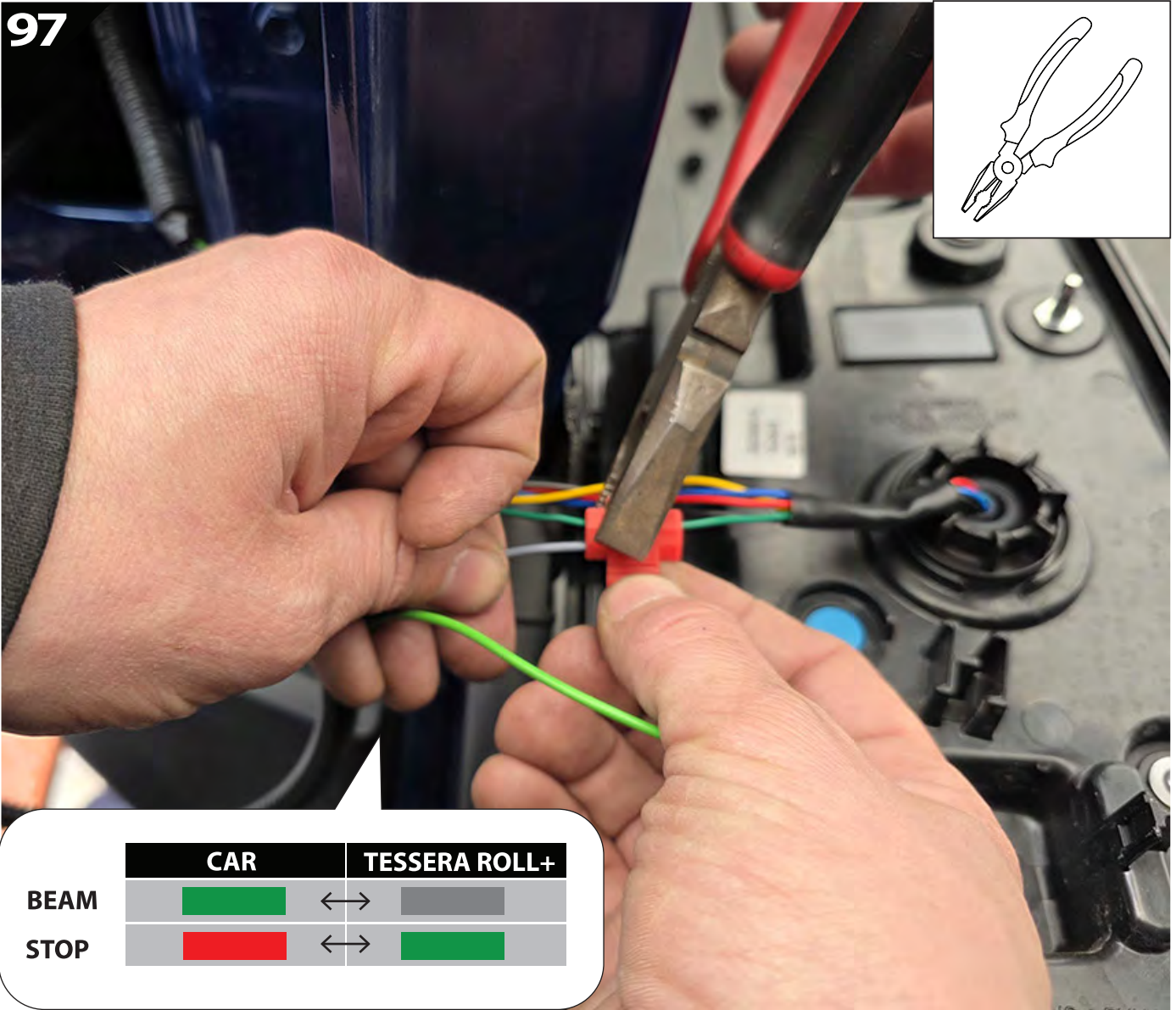
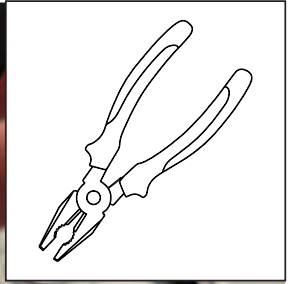






92

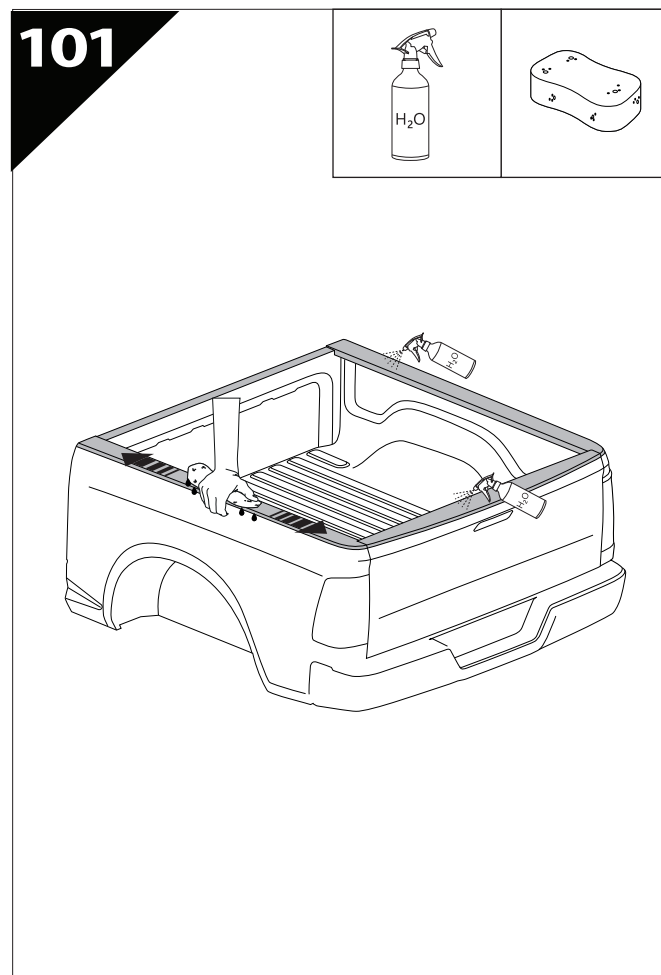
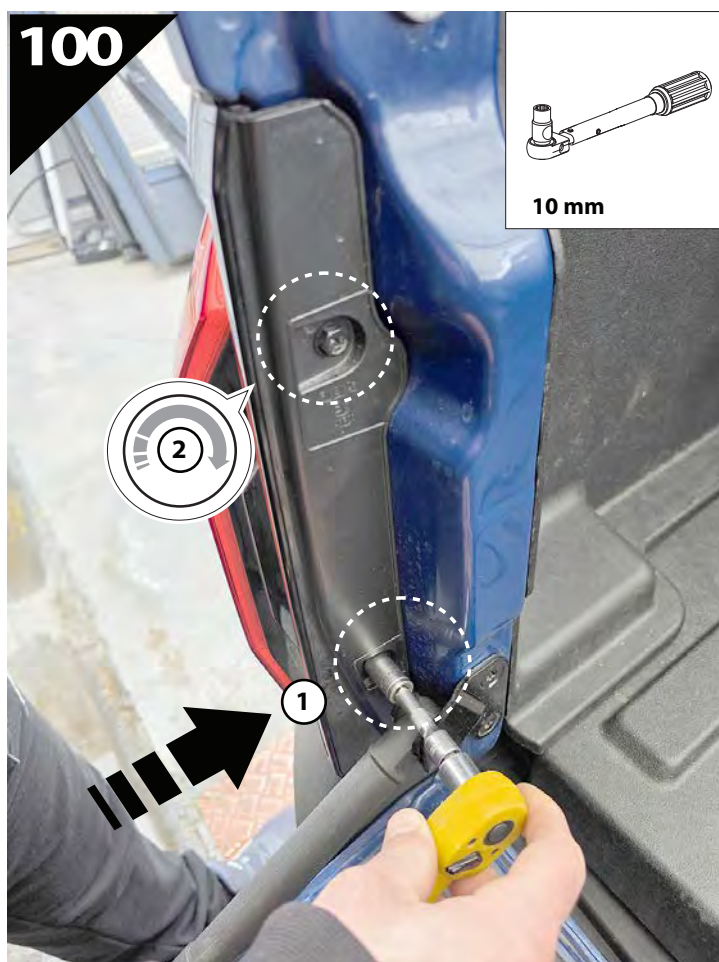




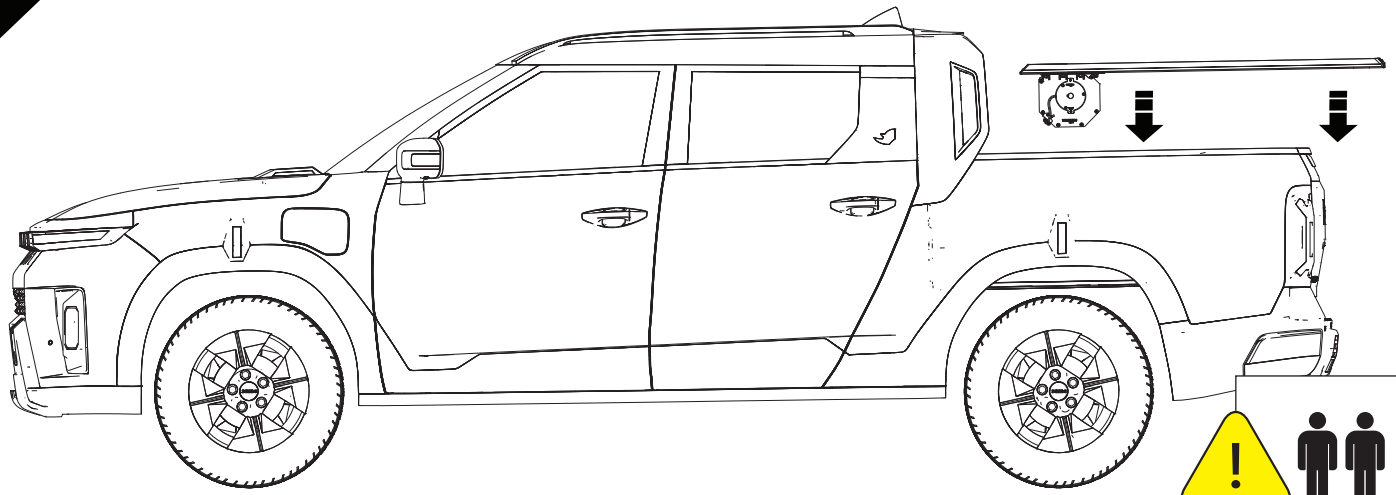
97



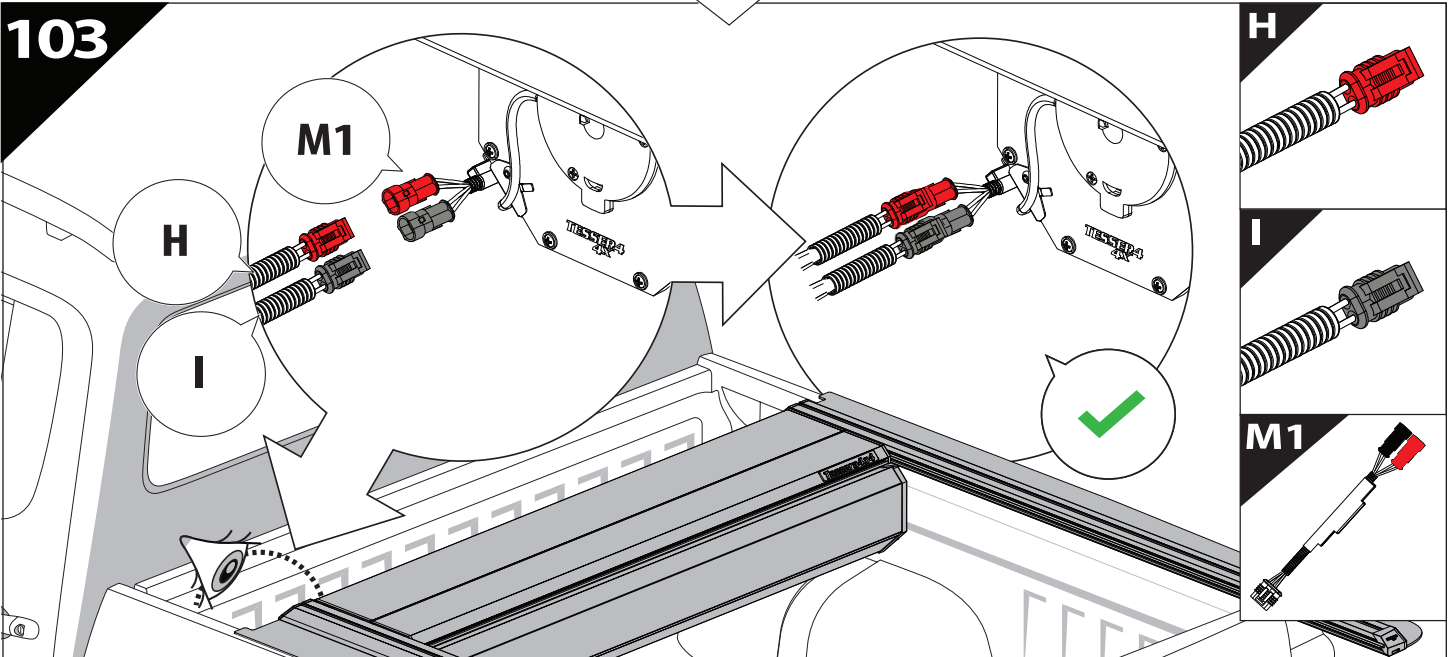
	CAR		TESSERA ROLL+
BEAM		↔	
STOP		↔	



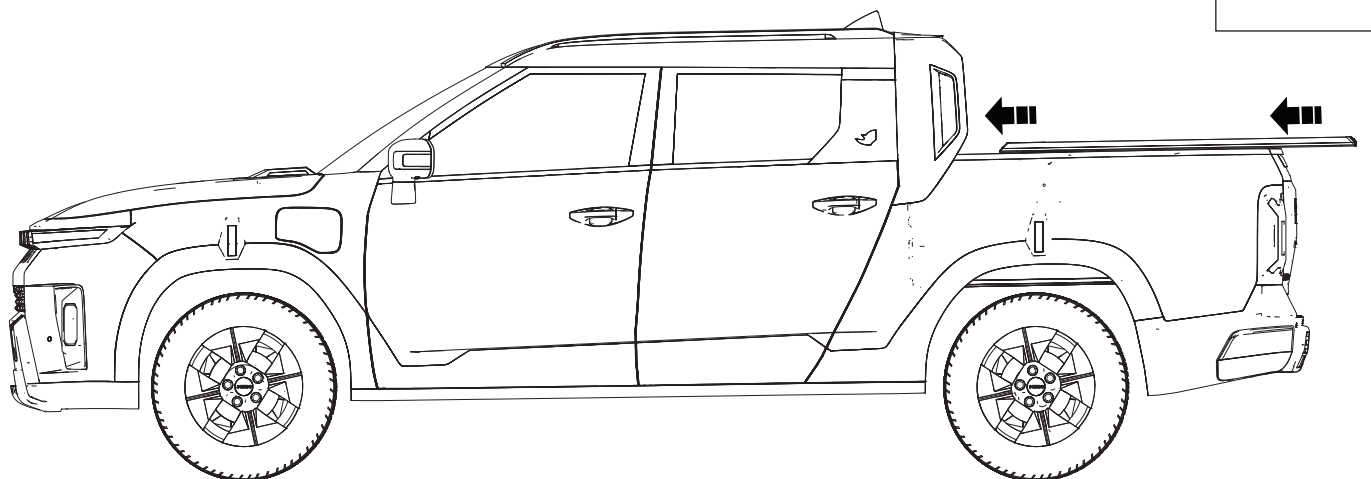
102



103

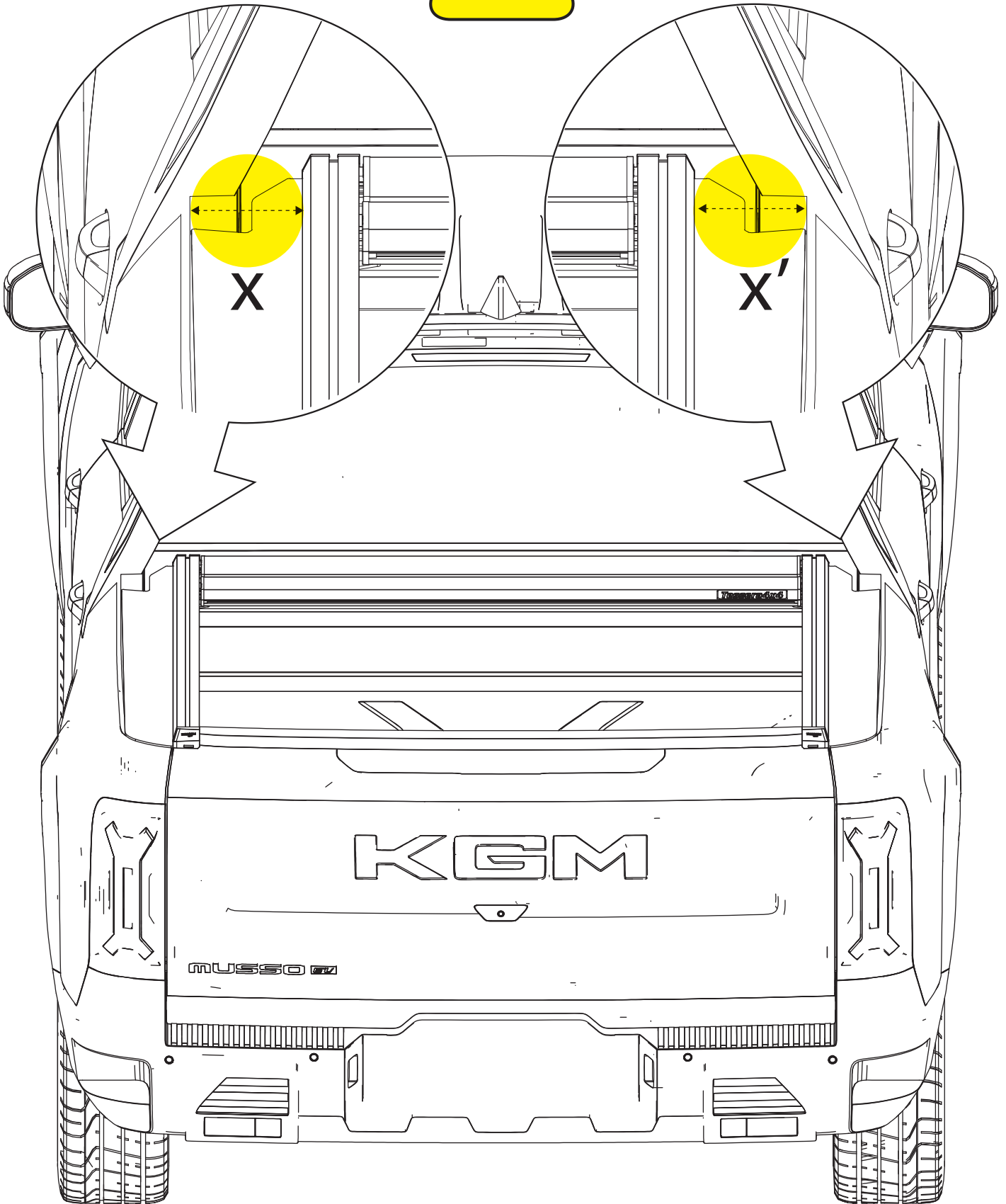


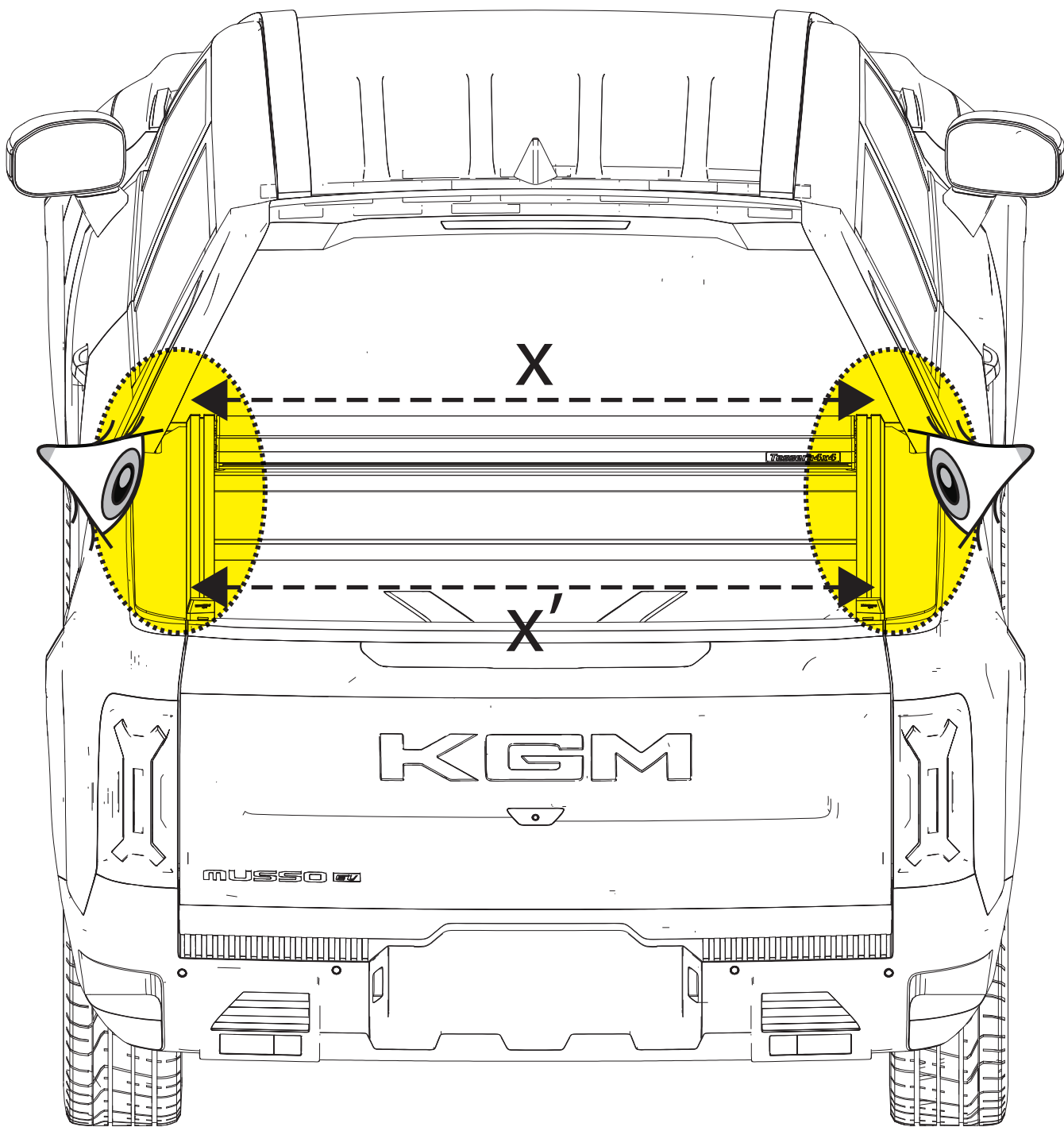
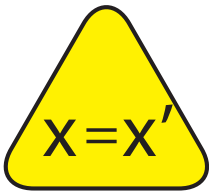
104



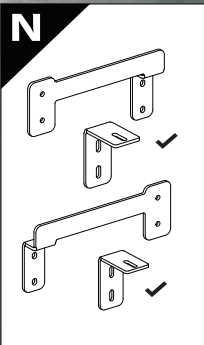
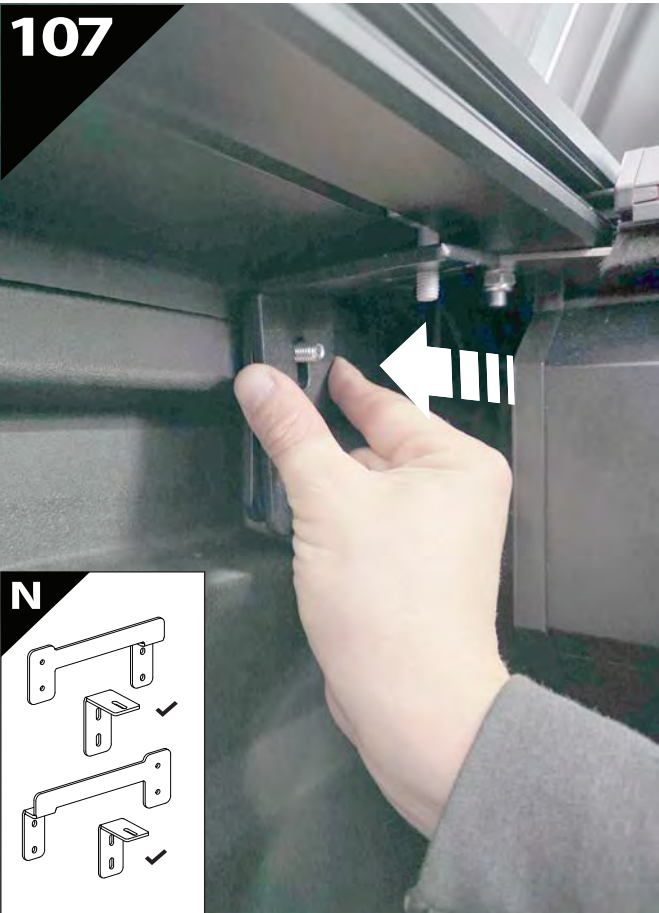


$X = X'$

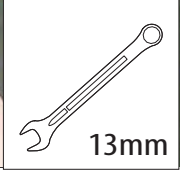
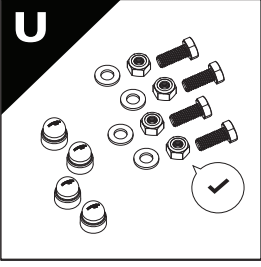
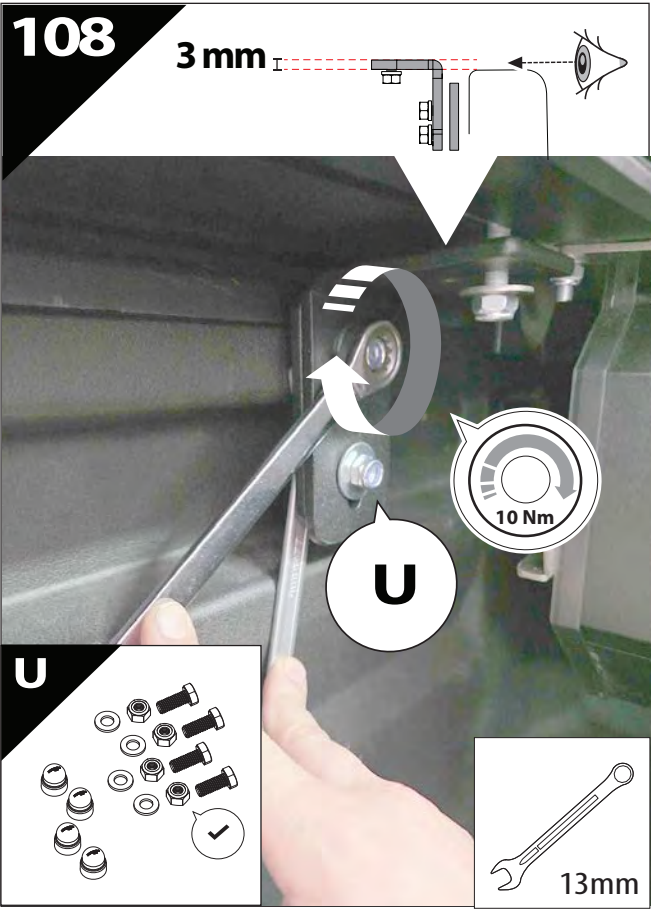




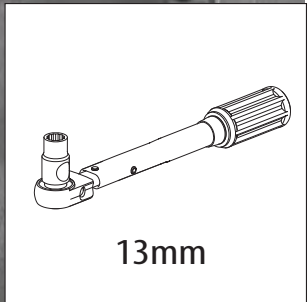
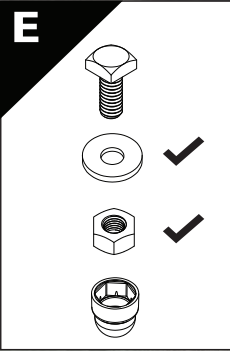
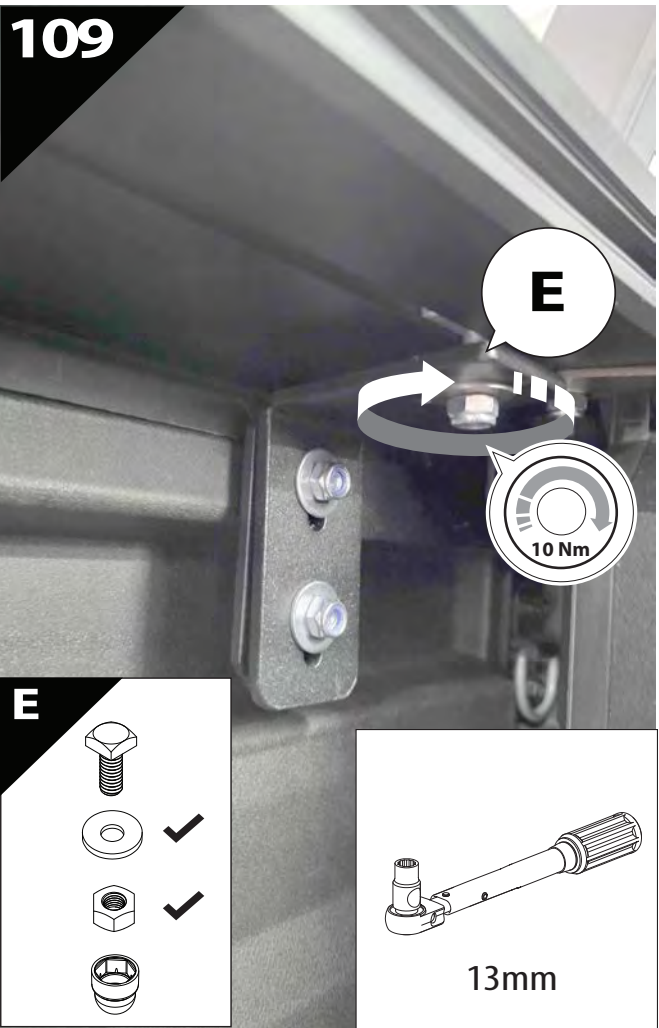
107



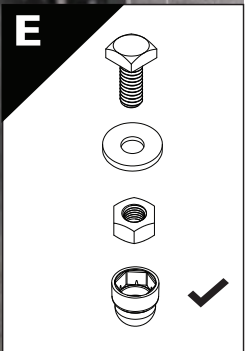
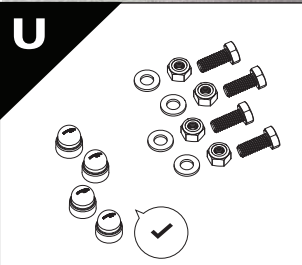
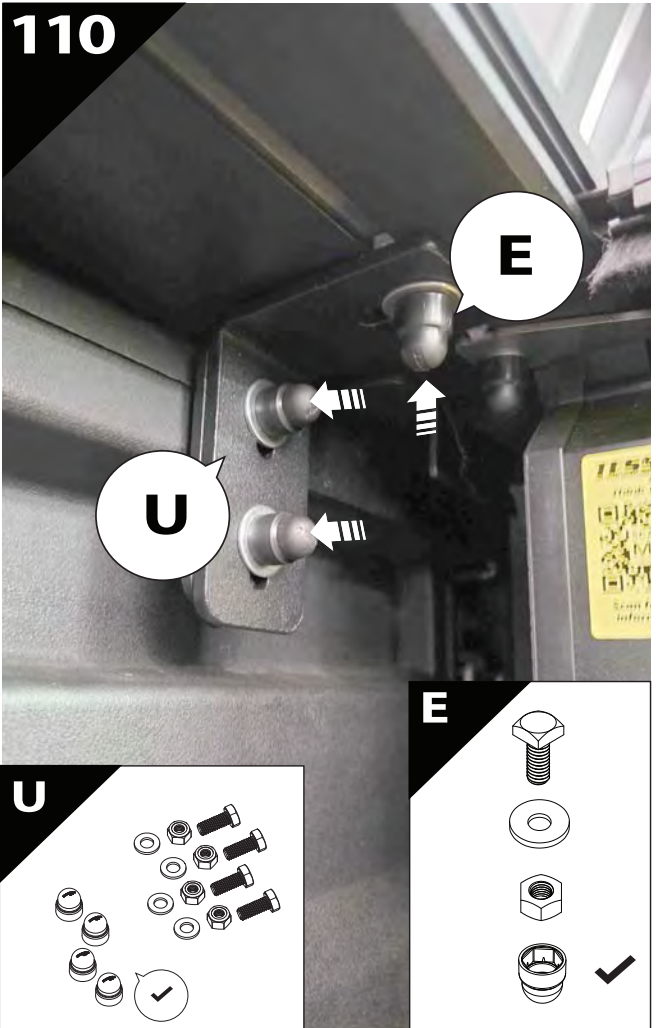
108

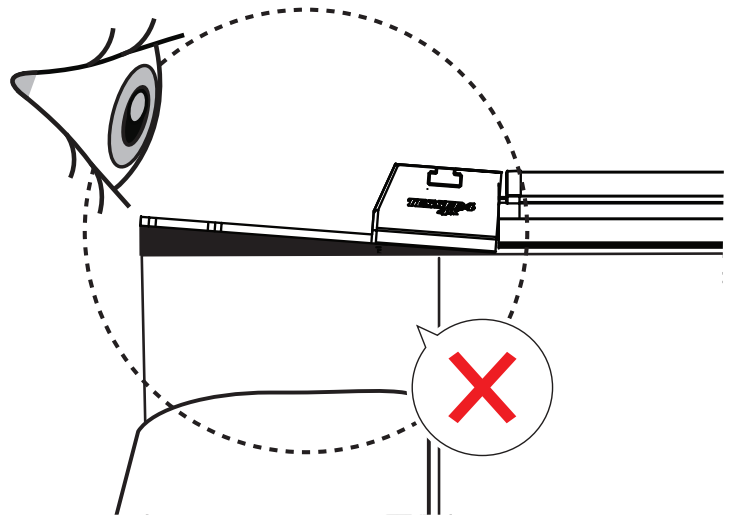
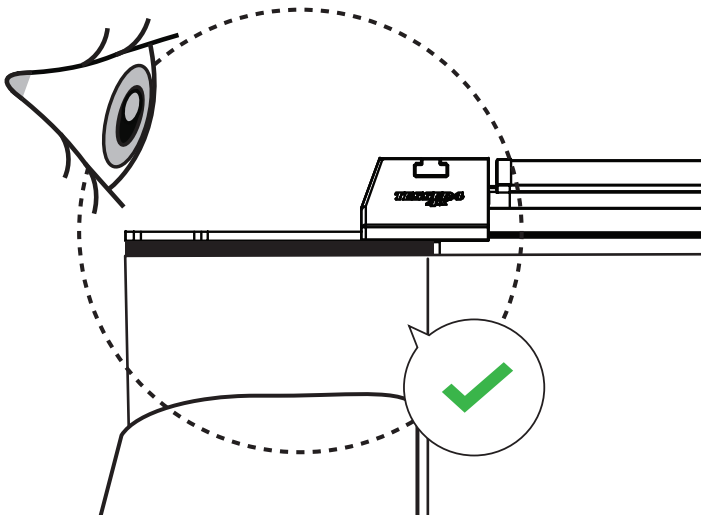
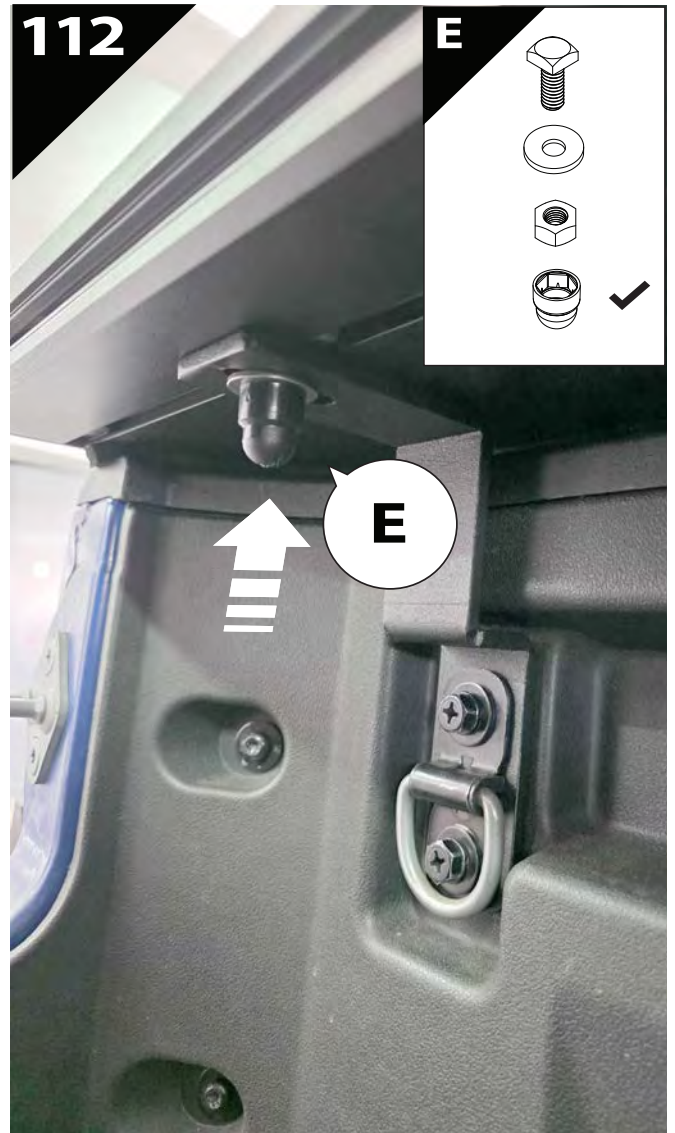


109

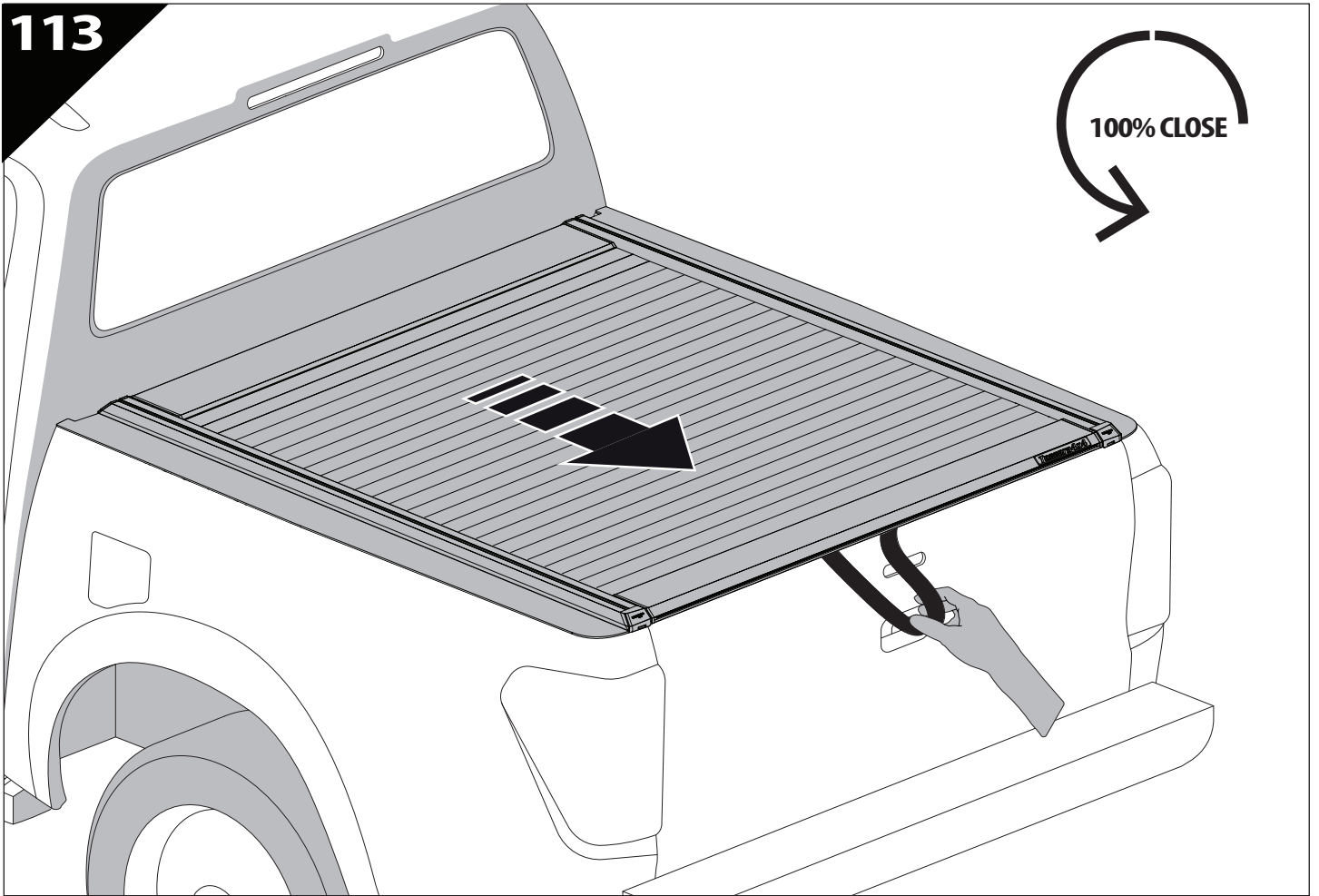


110

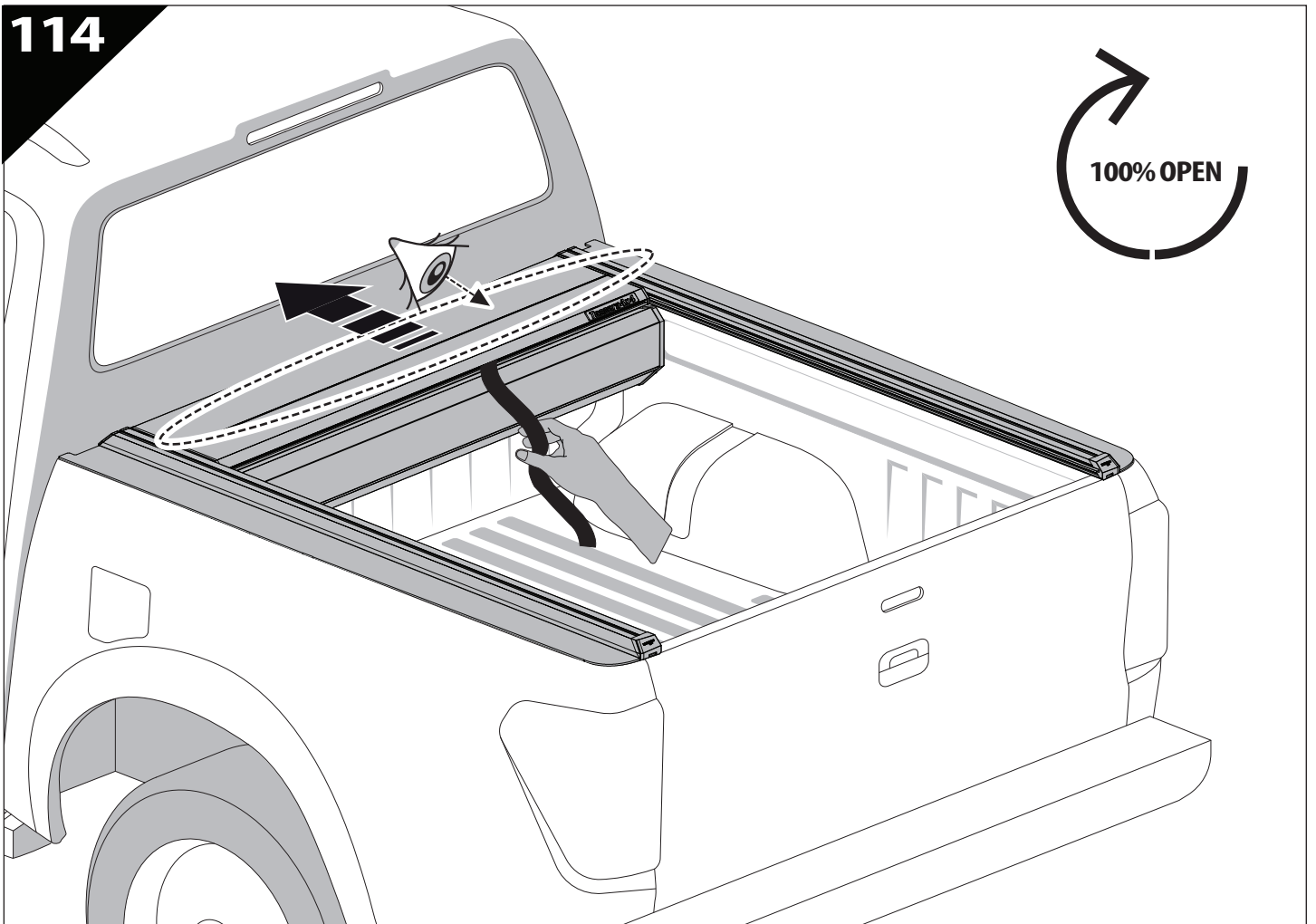




113



114





GR: Οδηγίες Εγκατάστασης
GB: Installation manual
SF: Asennusohje
F: Notice de montage
PL: Instrukcja montażu
NL: Installatie-instructies
TR: Montaj Talimatı
S: Monteringsanvisning
E: Instrucciones de montaje

H: Szerelési utasítás
P: Instruções de instalação
RUS: Инструкция по установке
N: Monteringsveiledning
D: Einbauanleitung
CZ: Návod k instalaci
I: Istruzioni de montaggio
DK: Monteringsvejledning
RO: Instructiuni de instalare

Customer Service:

+30 (210) 5541161, +30 (210) 5541154 (08:00 - 16:00 EET)

Support department:

info@gianso.gr

Website:

www.tessera4x4.com

Address:

19.5 km of National road Athens-Korinthos (Elefsina) Greece, P.C: 19200