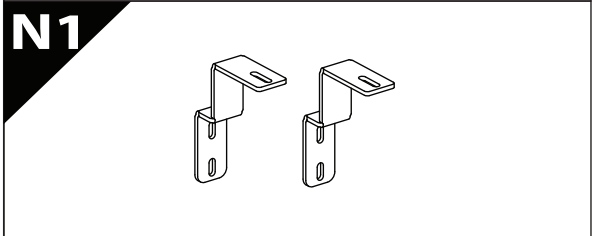
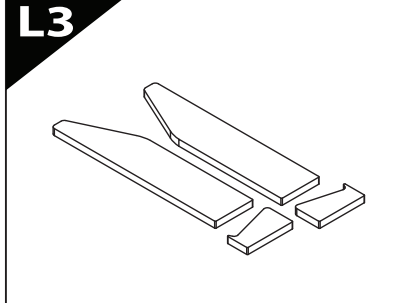
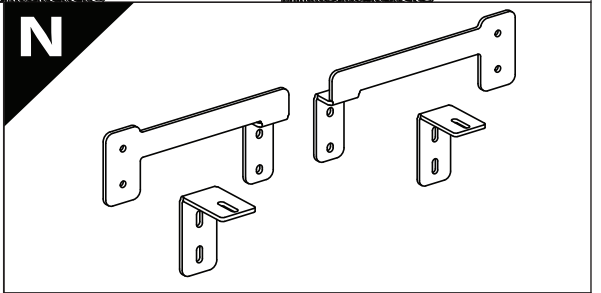
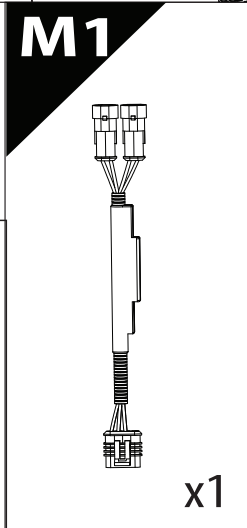
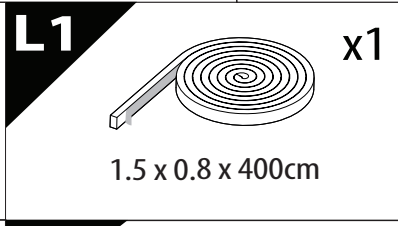
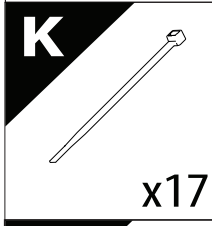
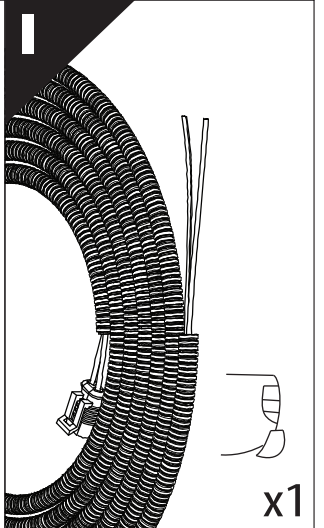
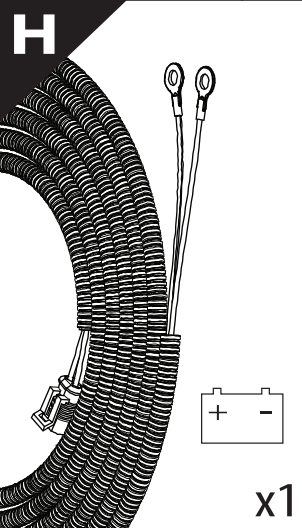
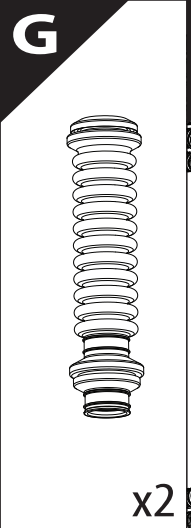
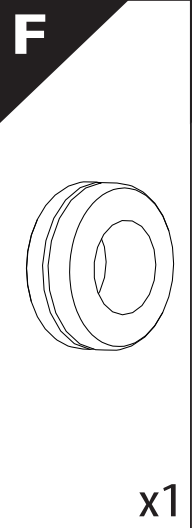
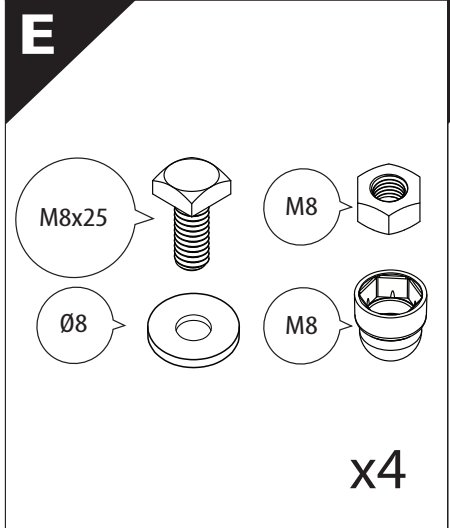
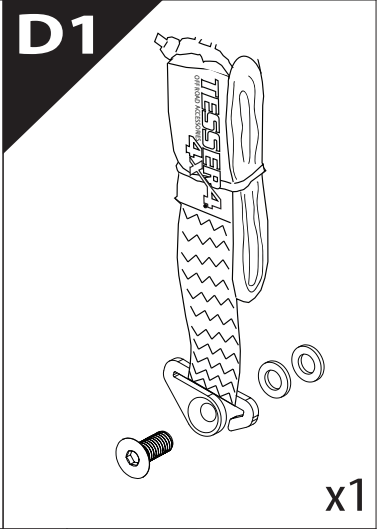
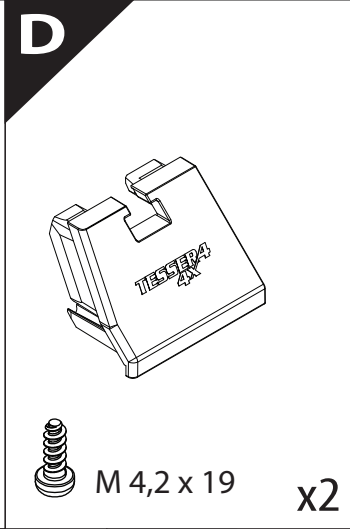
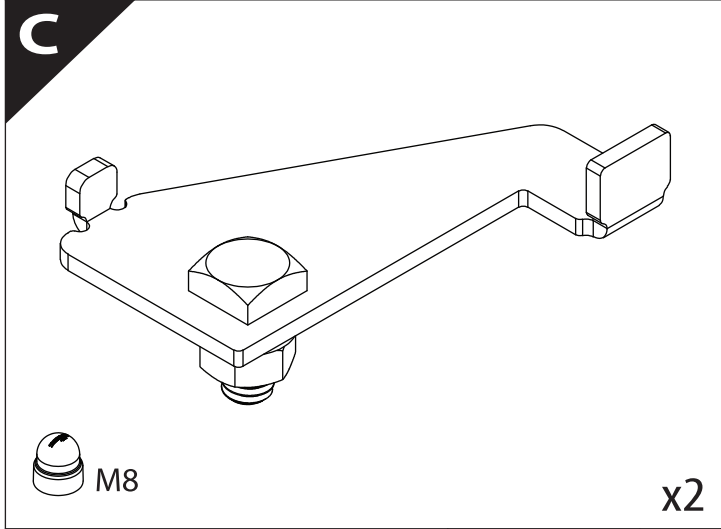
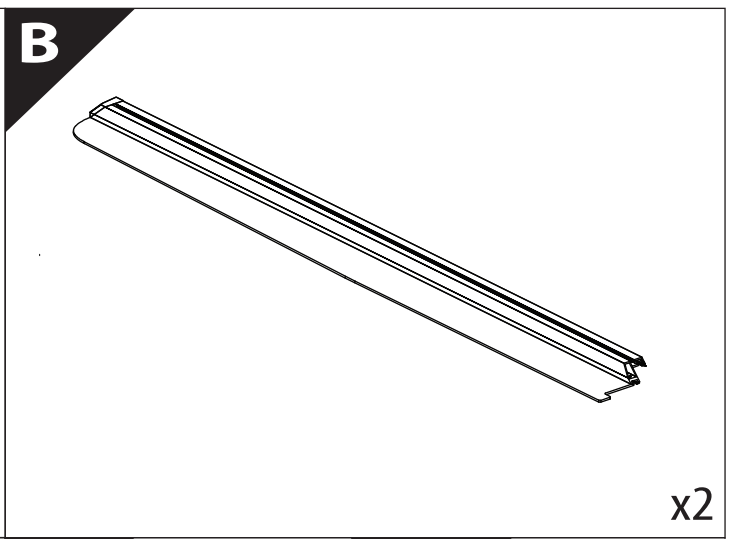
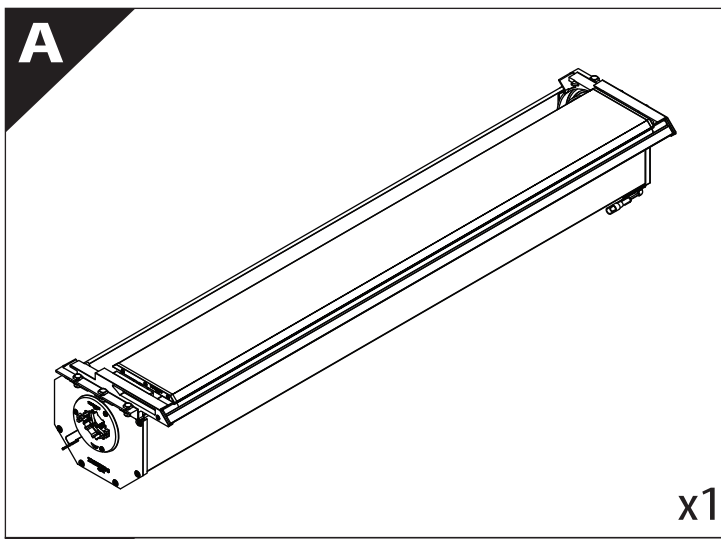




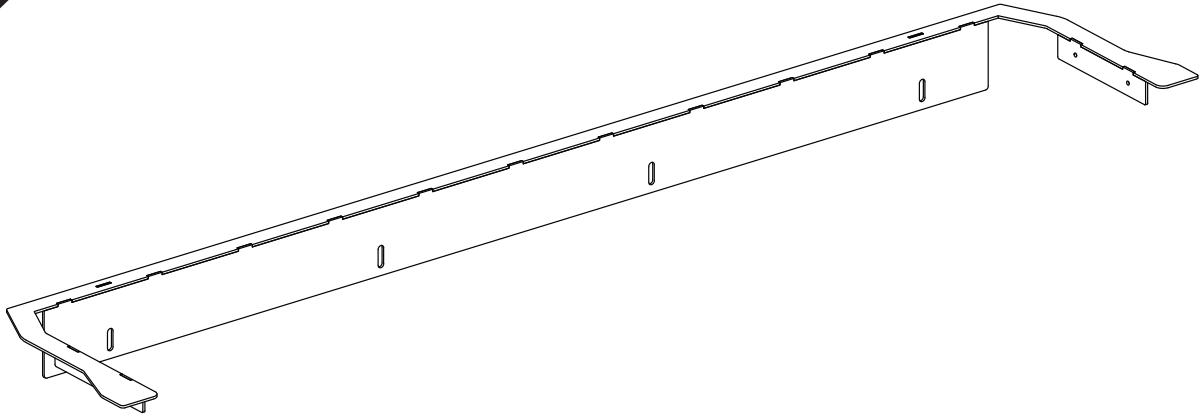
## Installation Manual

<b>PART NUMBER(S)</b>	<b>Model Year</b>
<b>TESS 1454 ROLL</b>	<b>KGM MUSSO EV</b>
<b>Cab(s)</b>	<b>Installation Time / Weight</b>
<b>Double Cab &amp; Space cab</b>	<b>90-120 minutes / 53-57 kg</b>



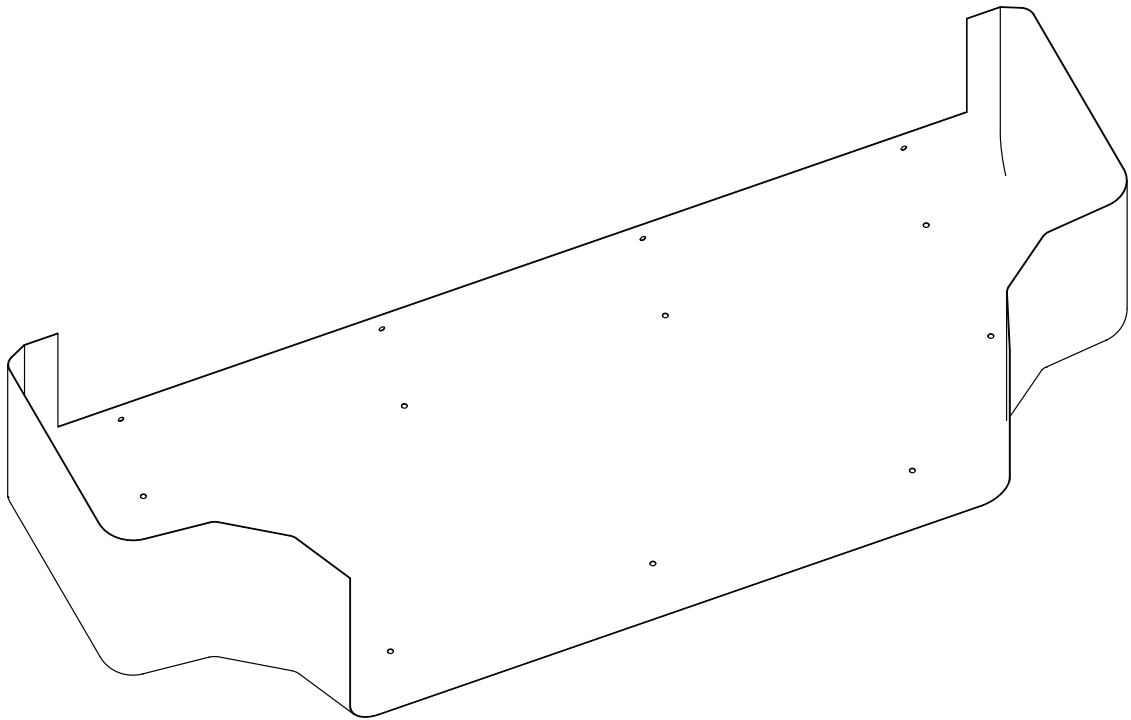


O



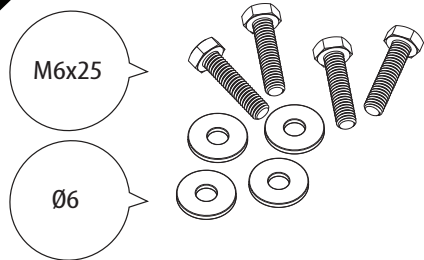
x1

P



x1

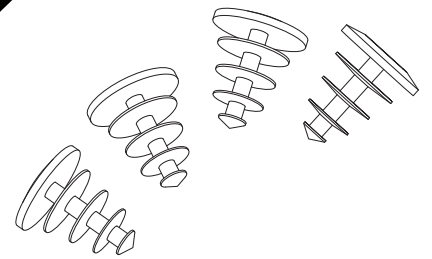
Q



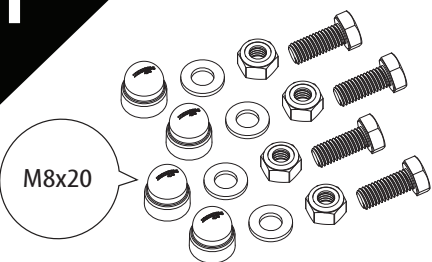
R



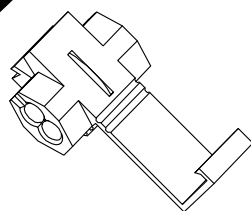
S



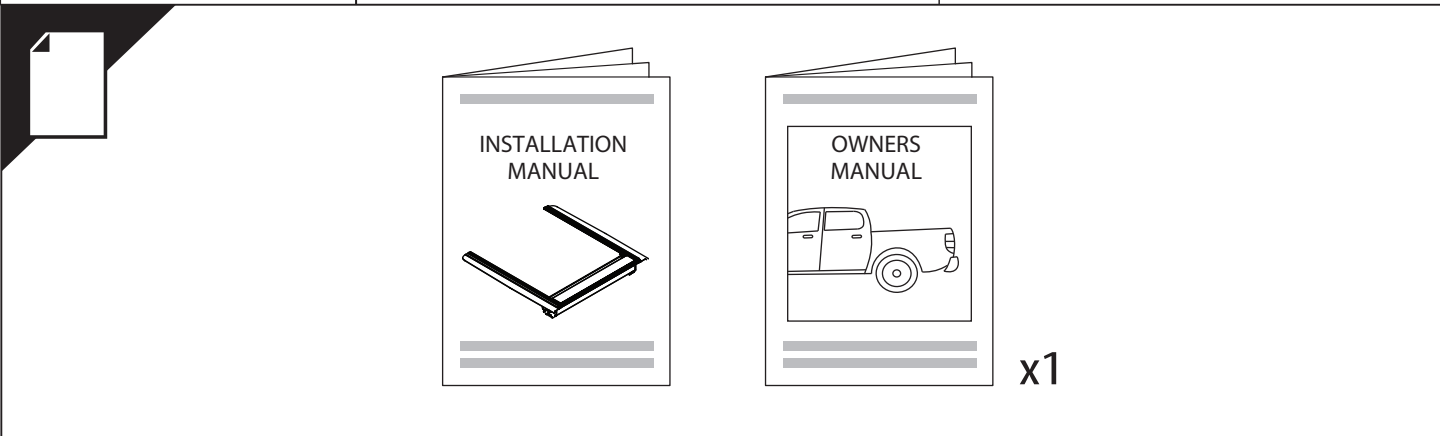
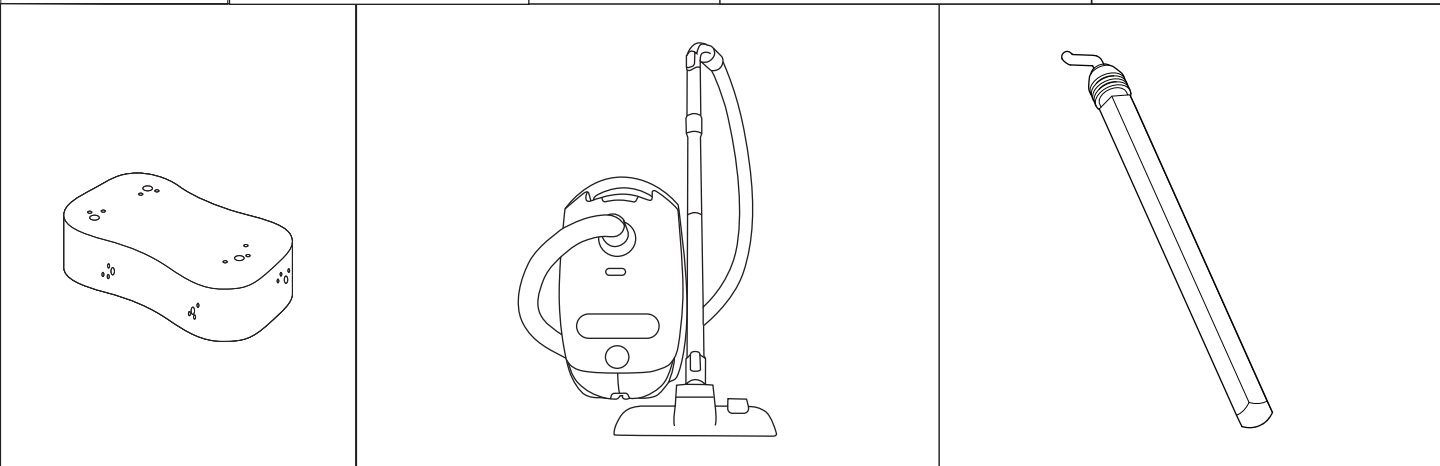
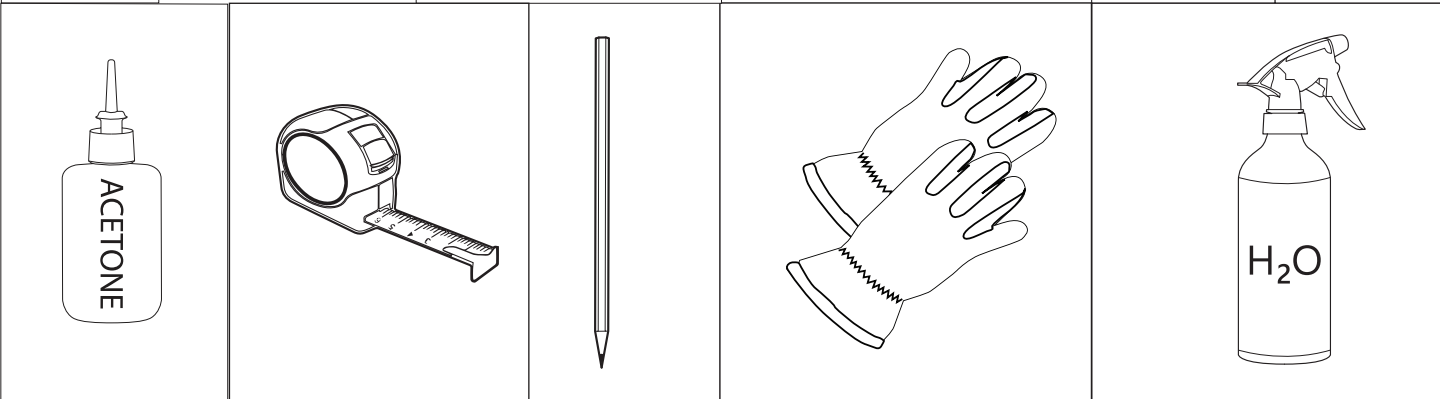
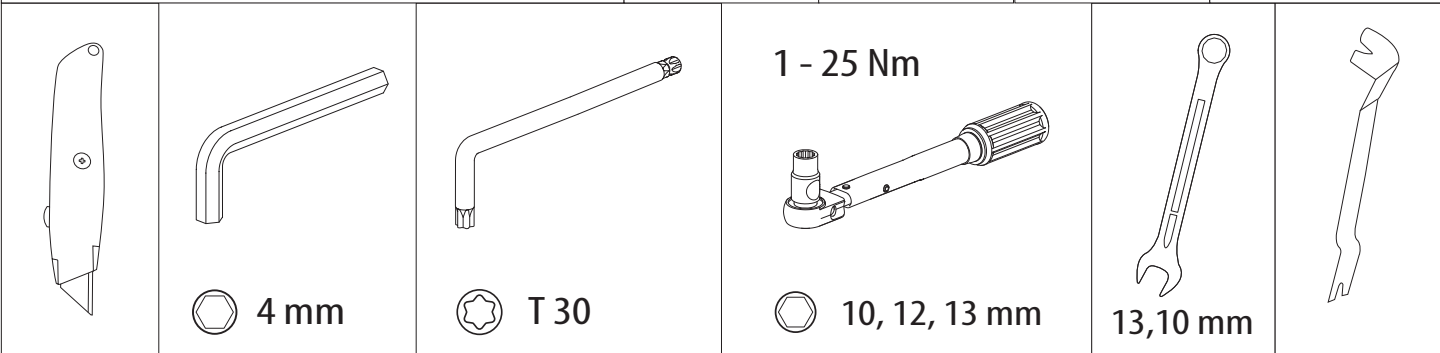
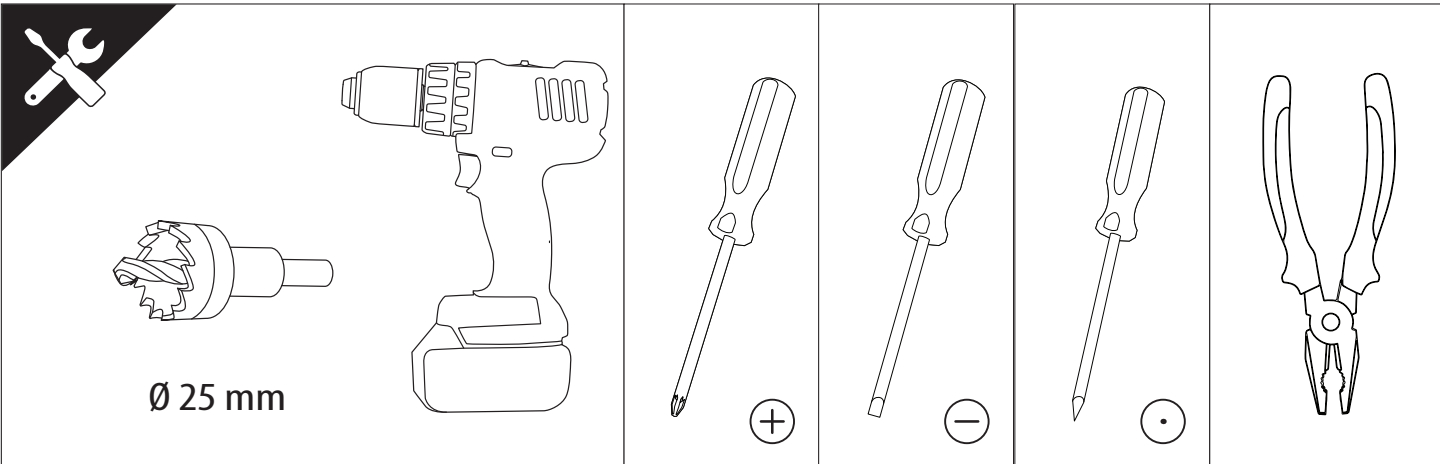
T

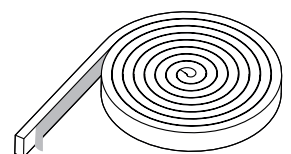
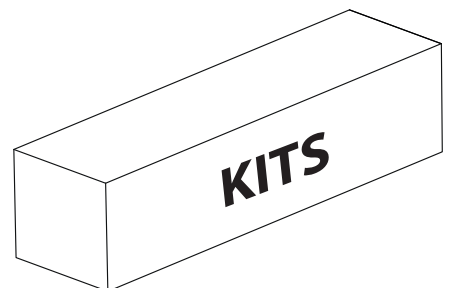
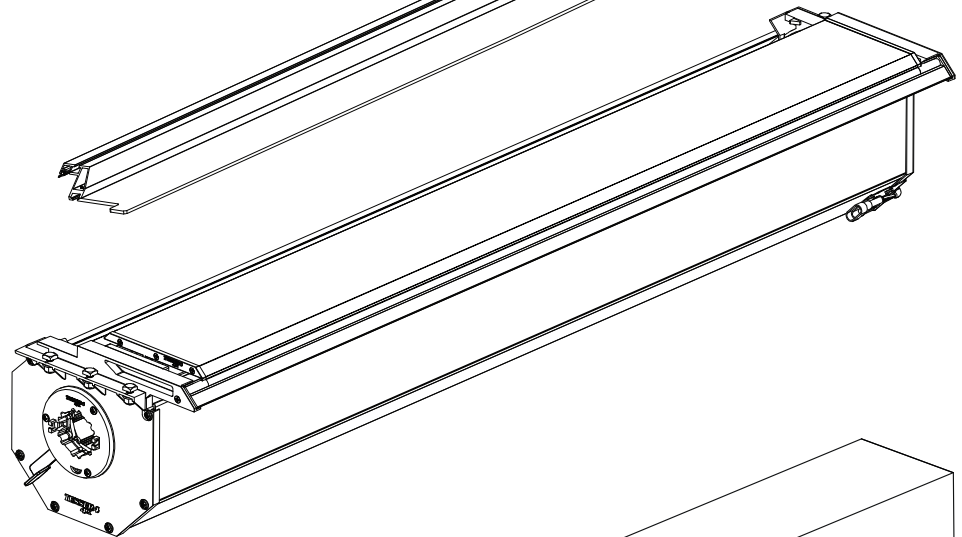
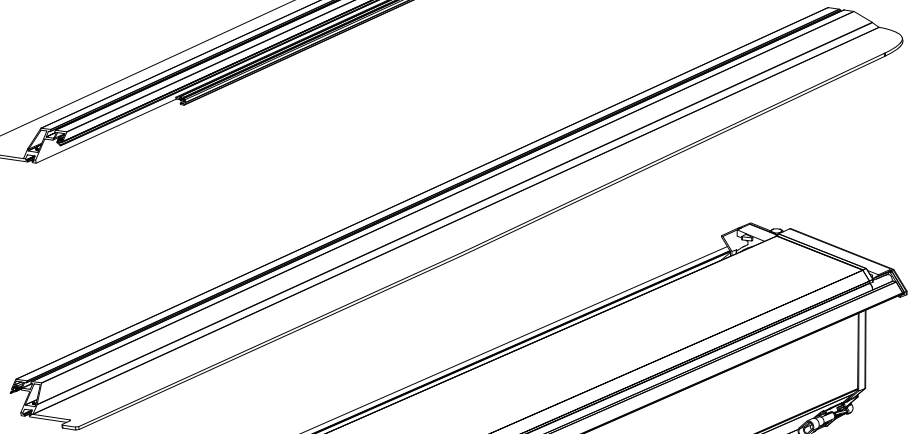
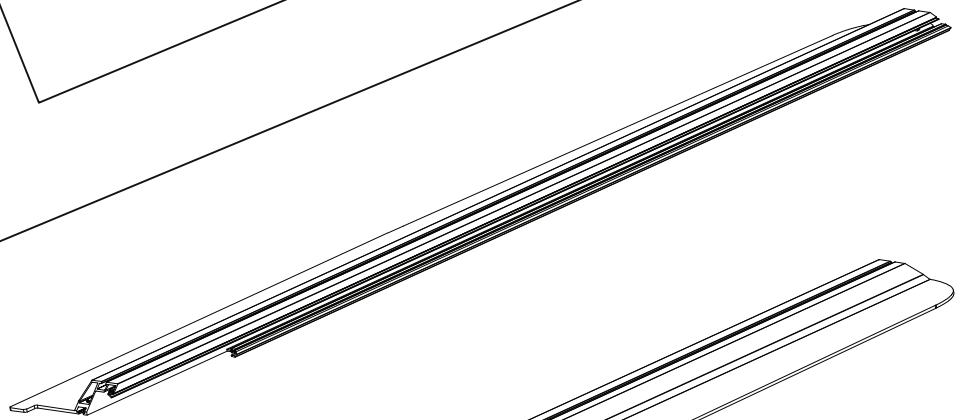
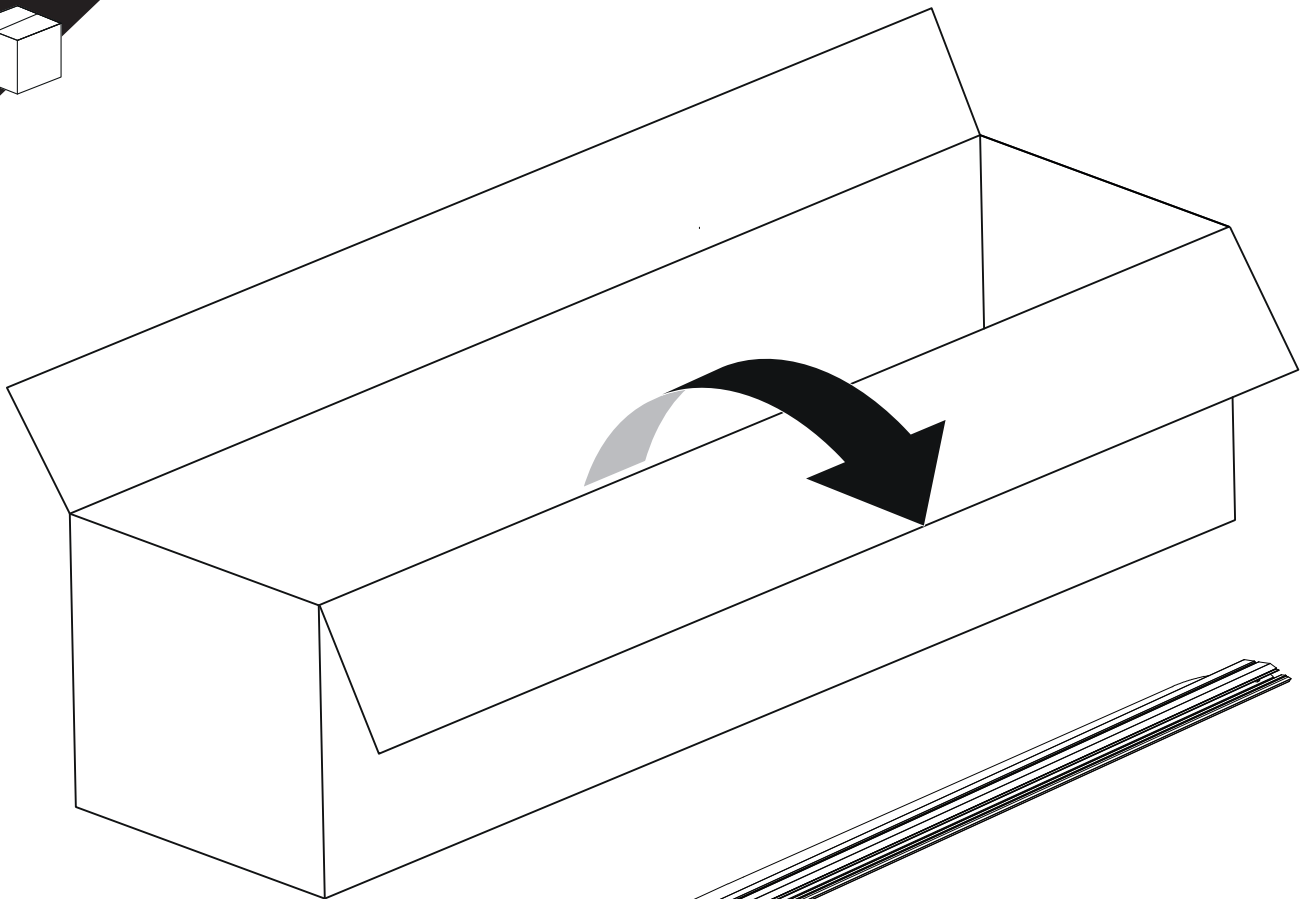


U



x2



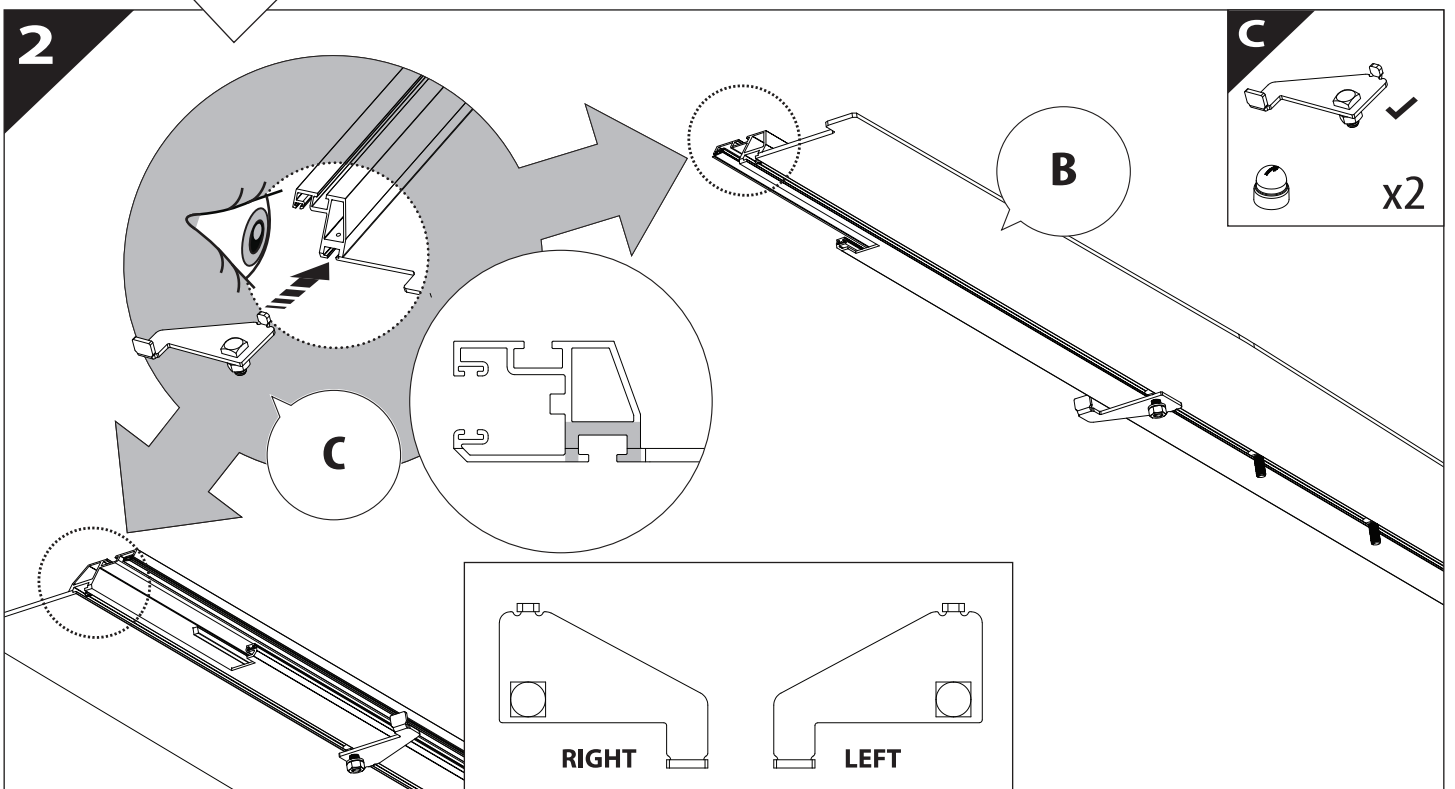
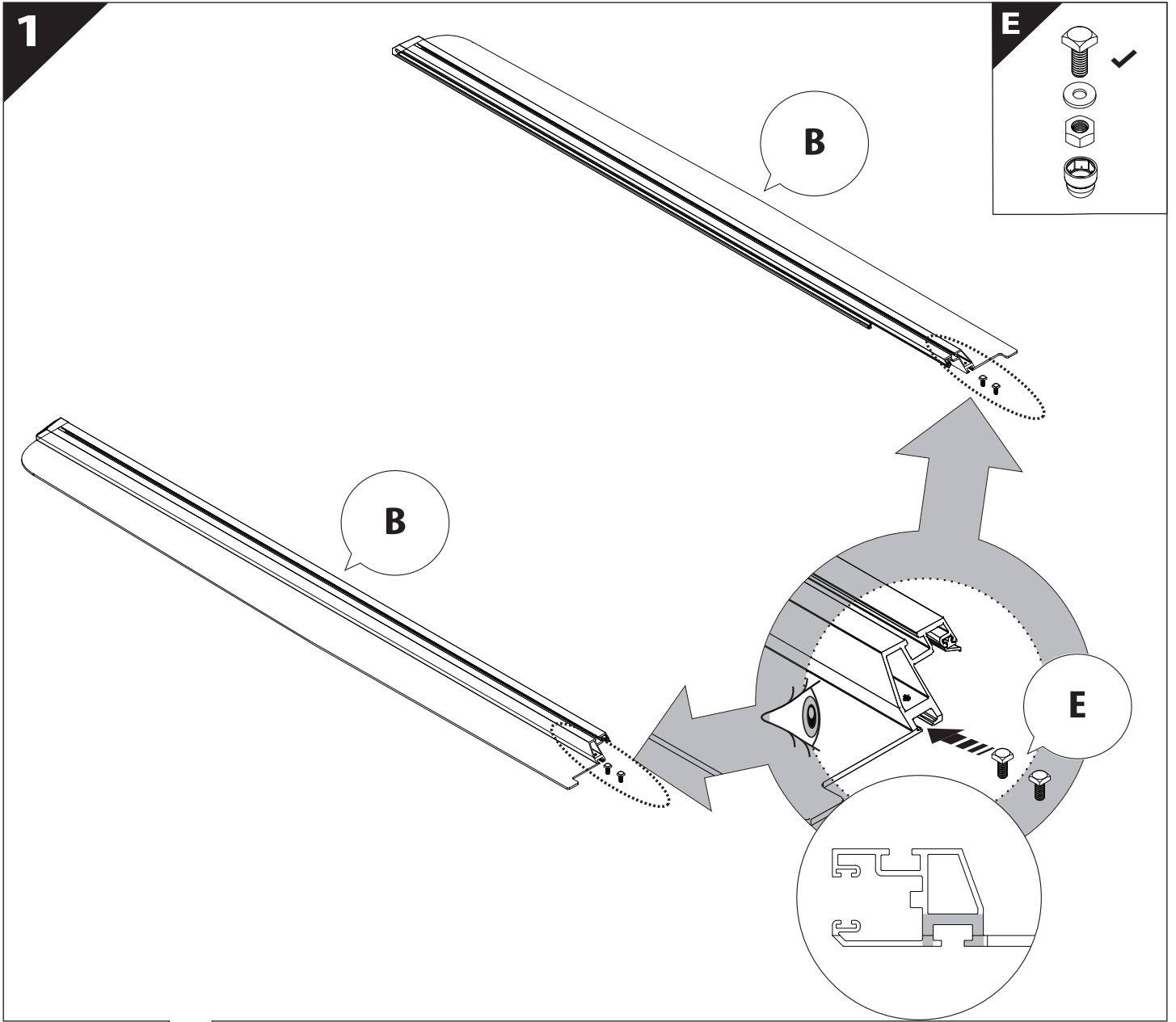


**B**

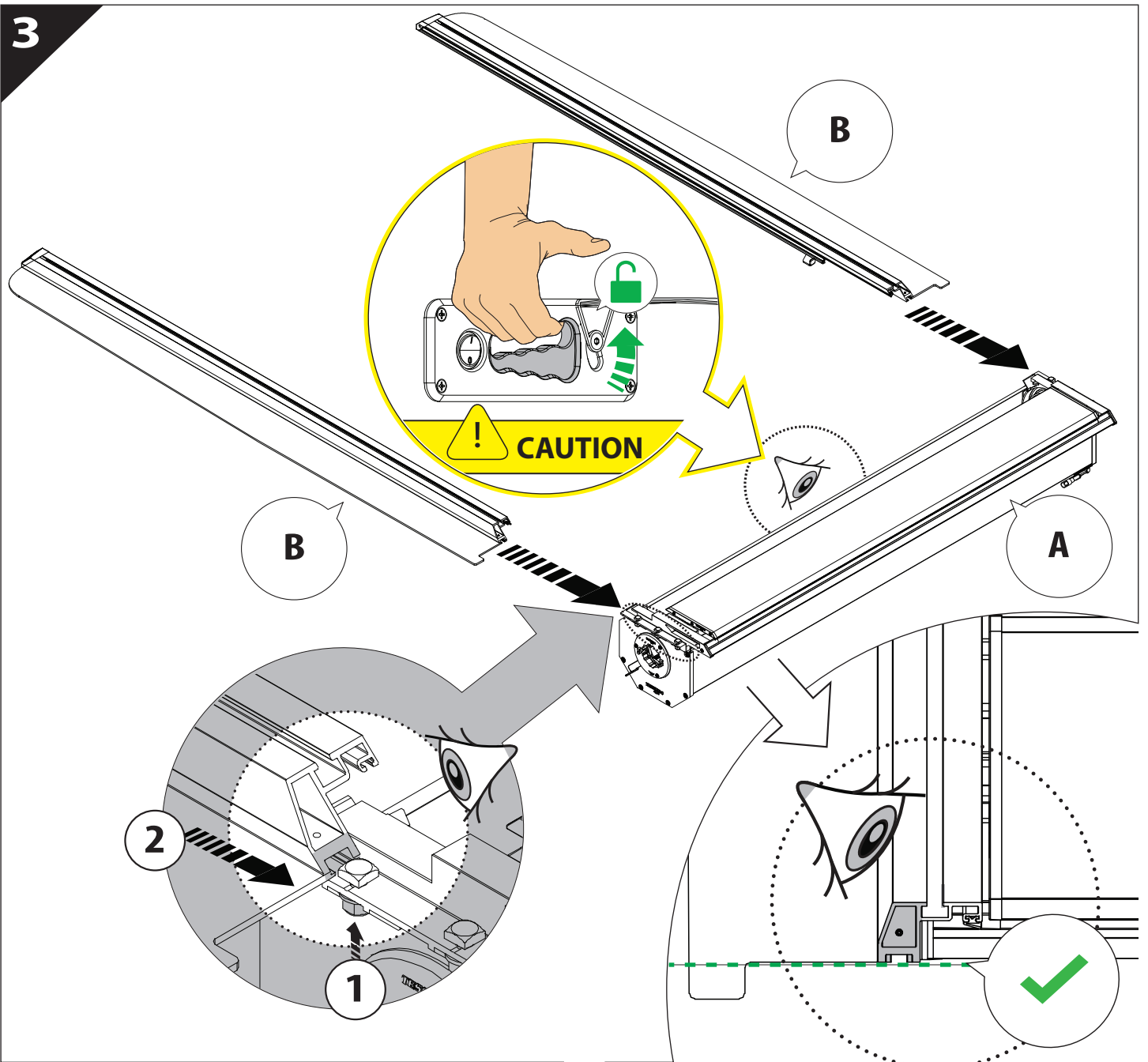
**A**

**KITS**

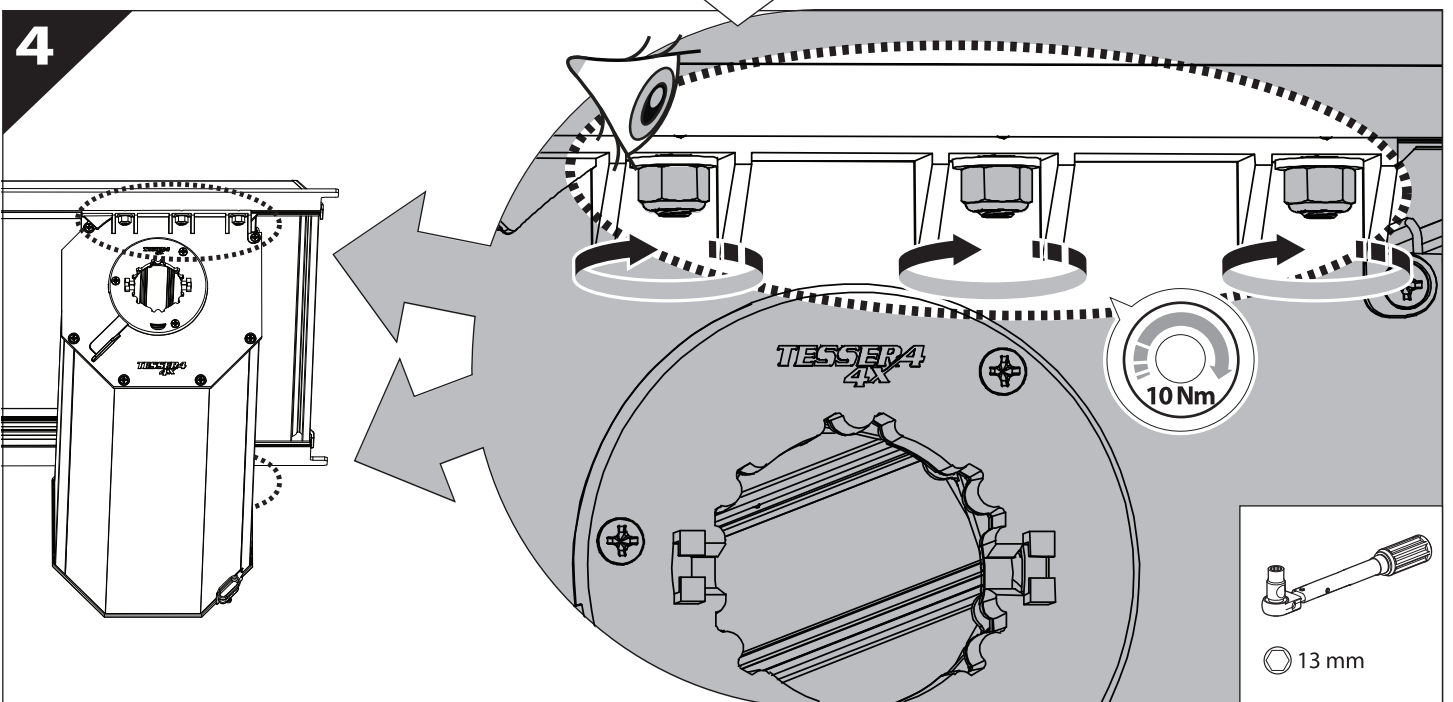
**L**

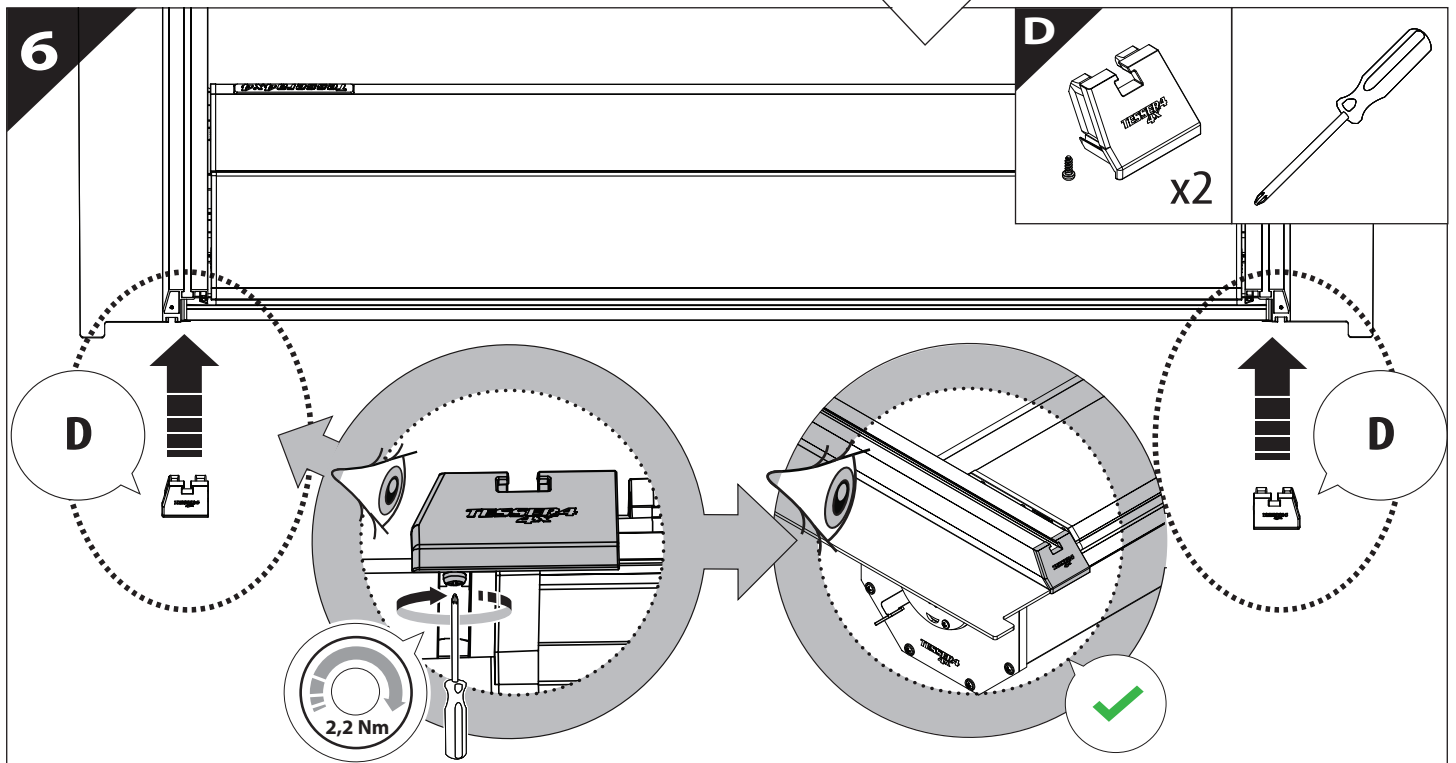
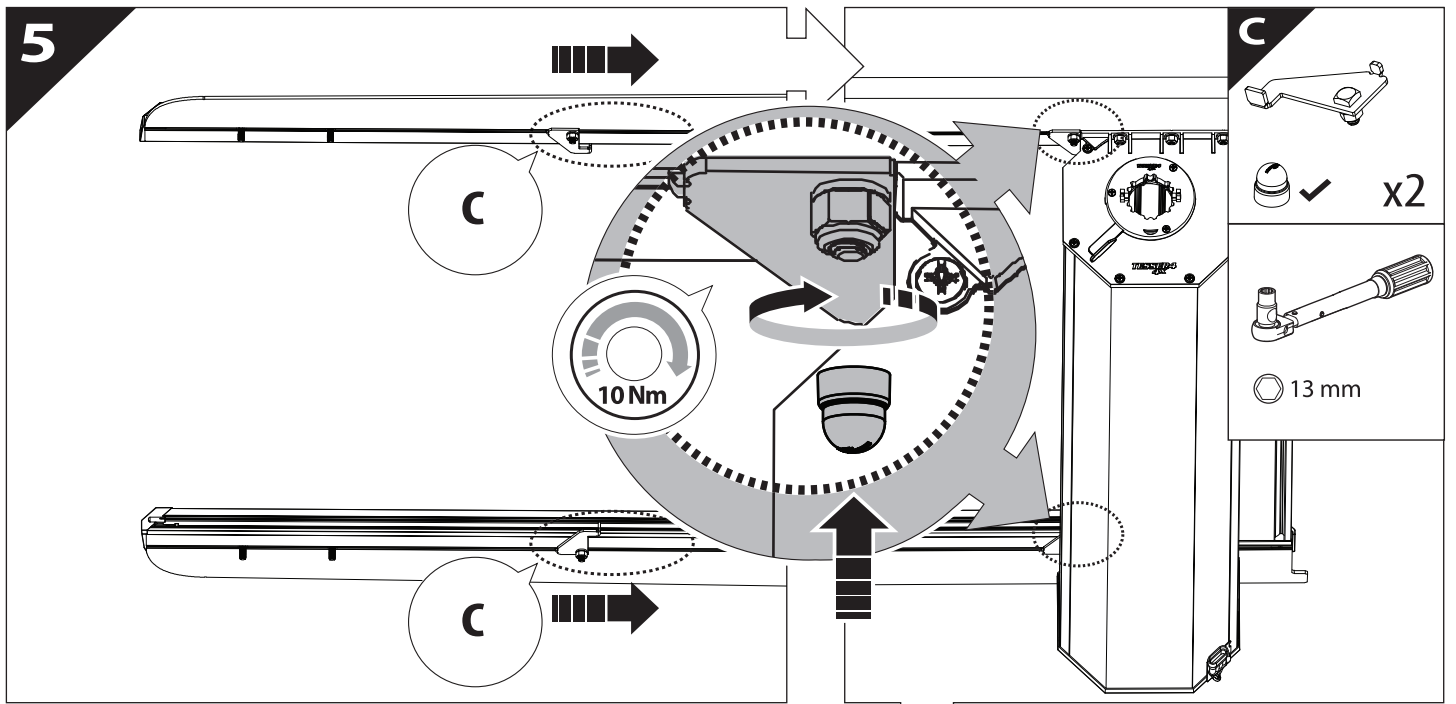


3

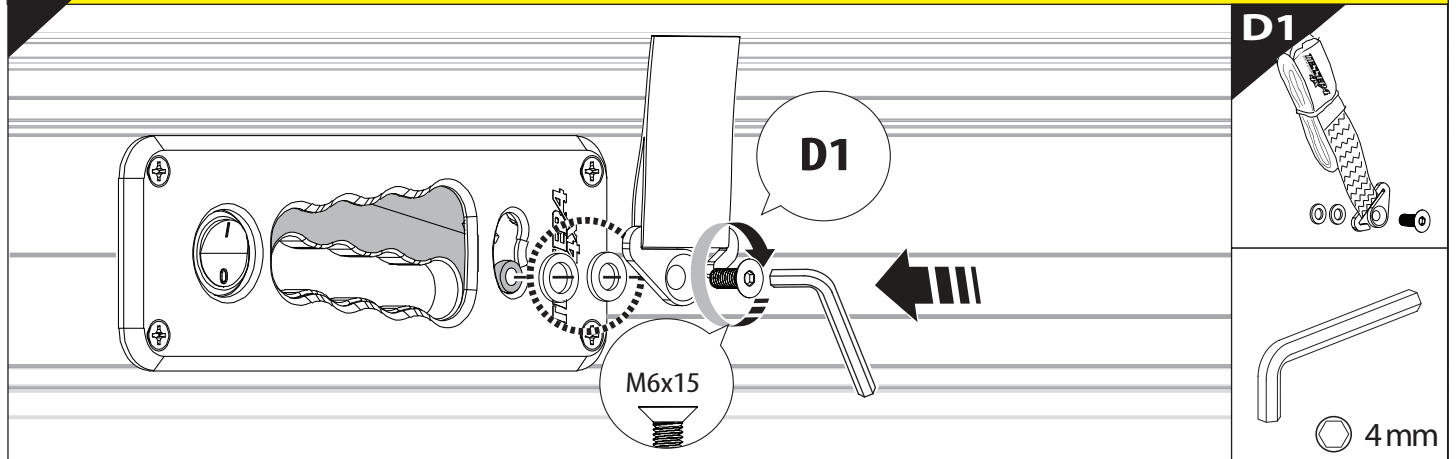


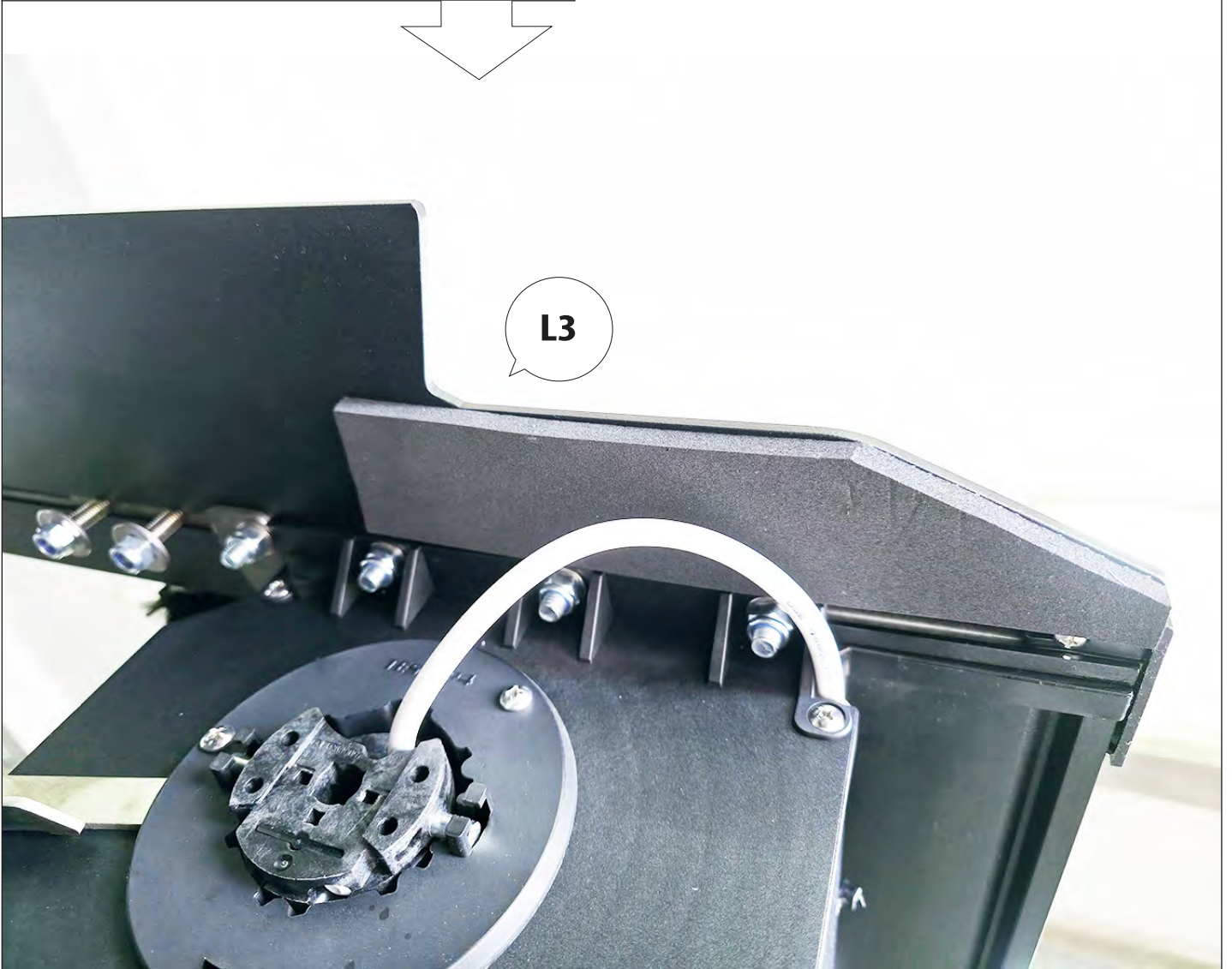
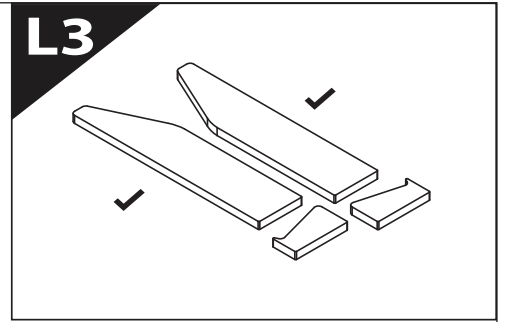
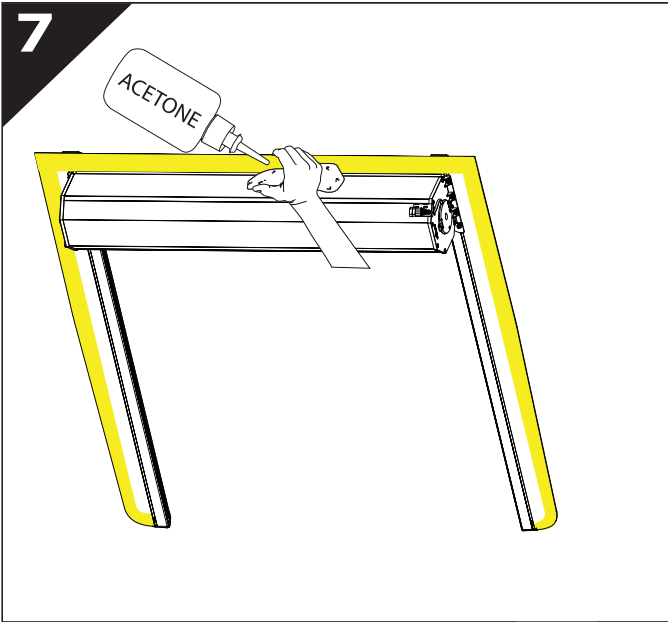
4





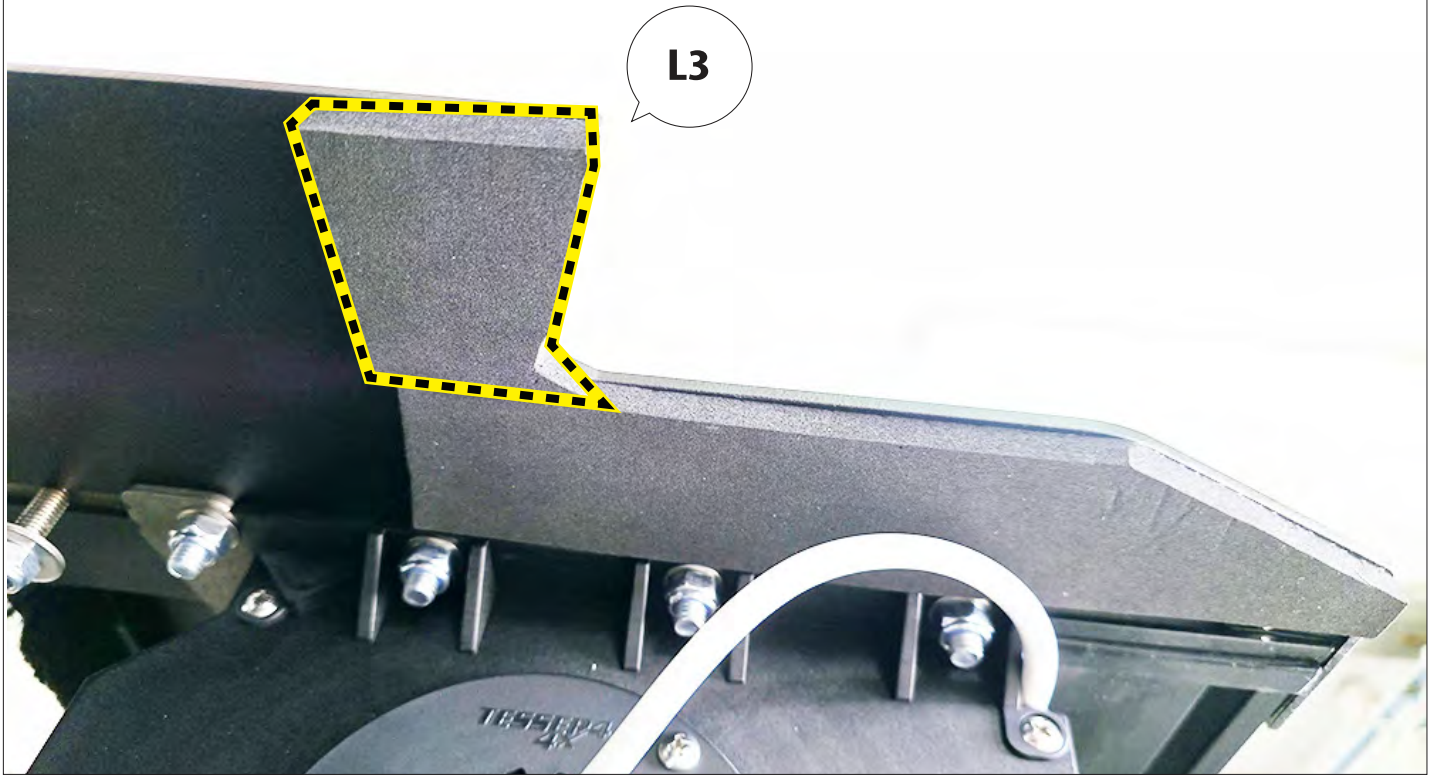
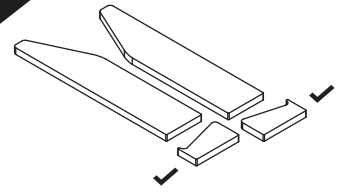
**6.1** **CAUTION** Basic Version ✓ & Basic+S-KIT Version ✓





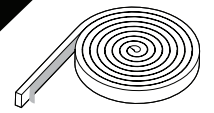
8

L3

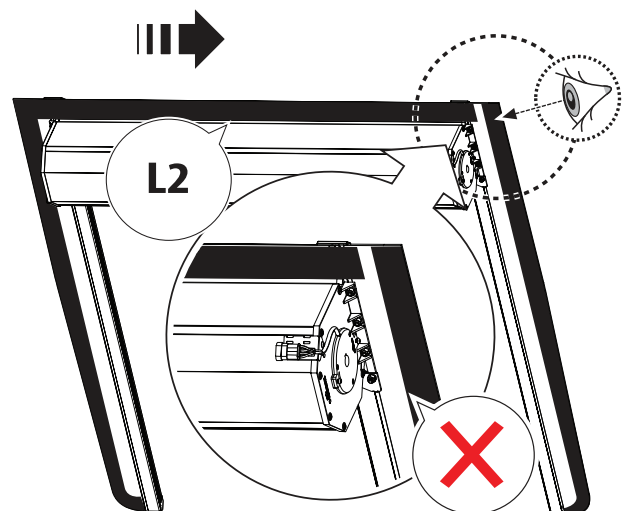
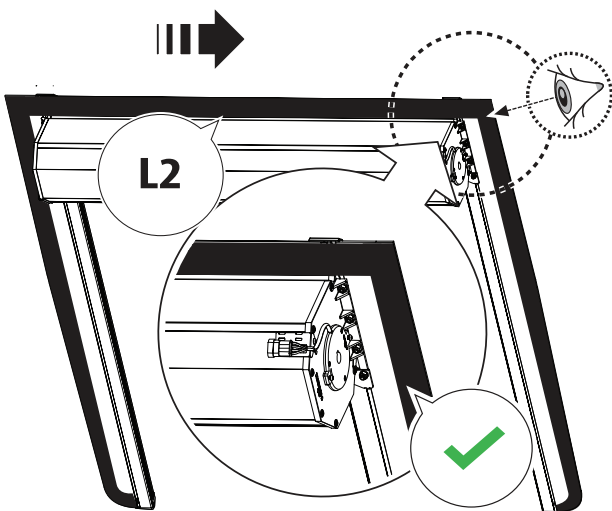


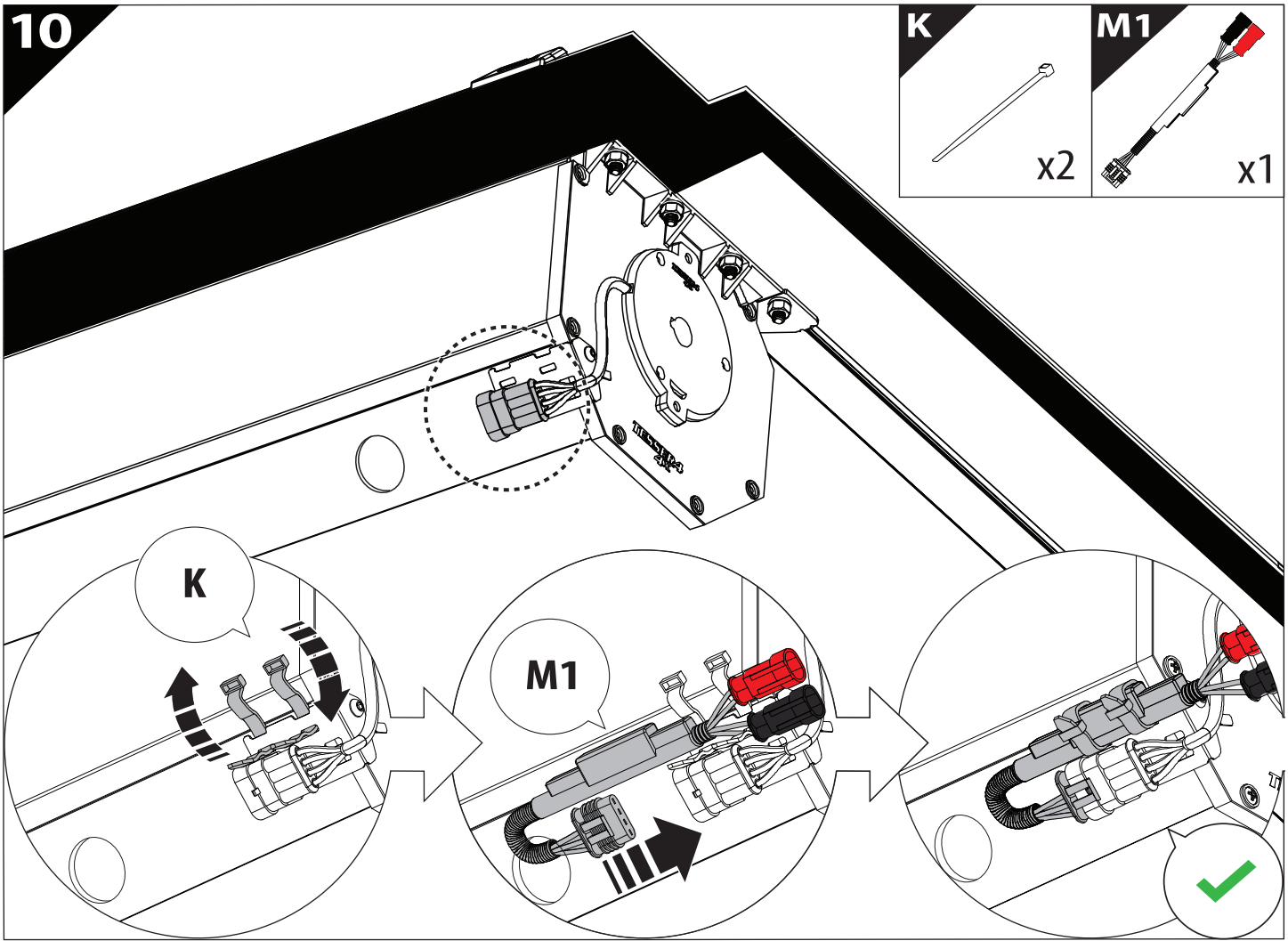
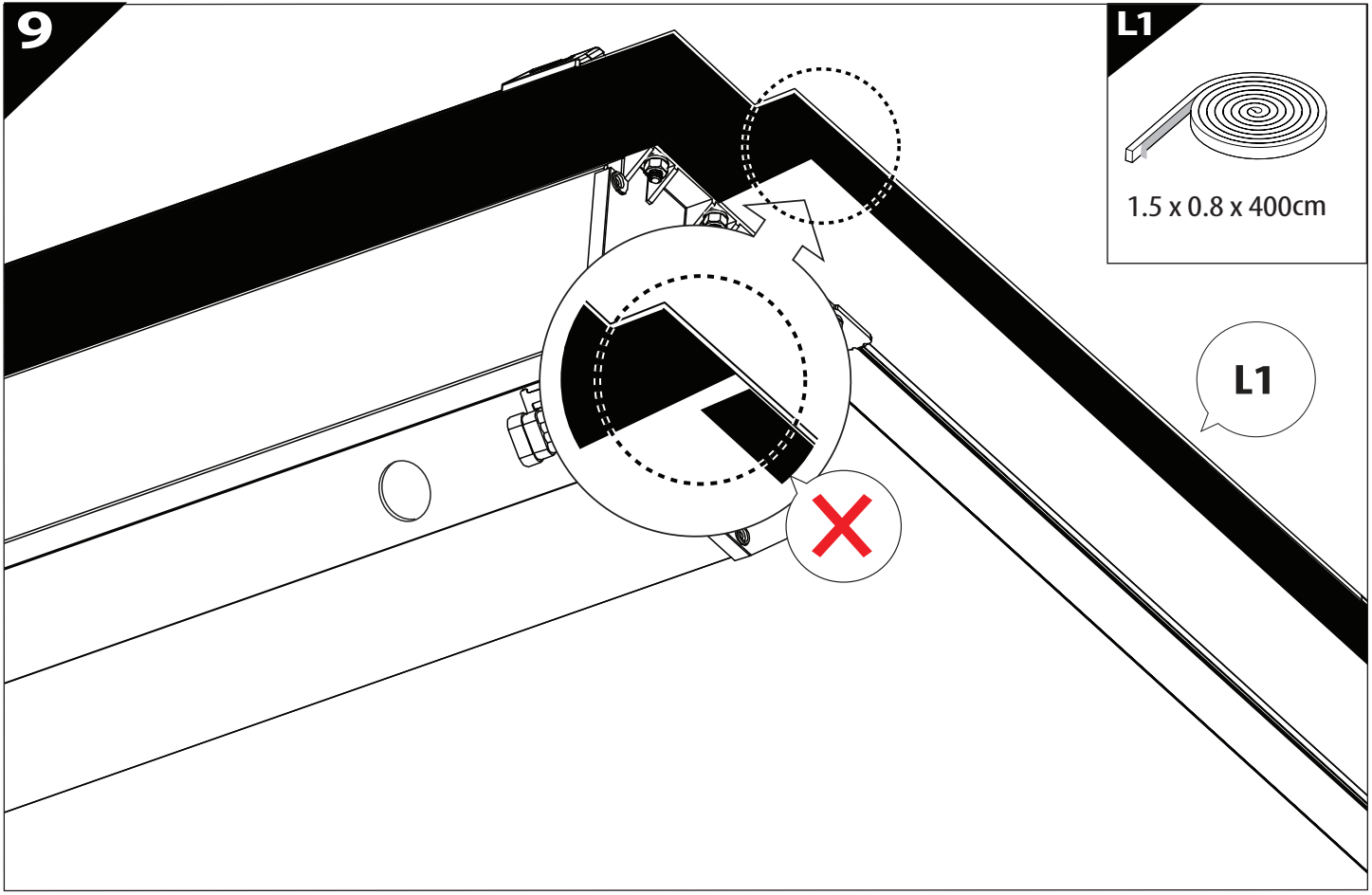
8.1

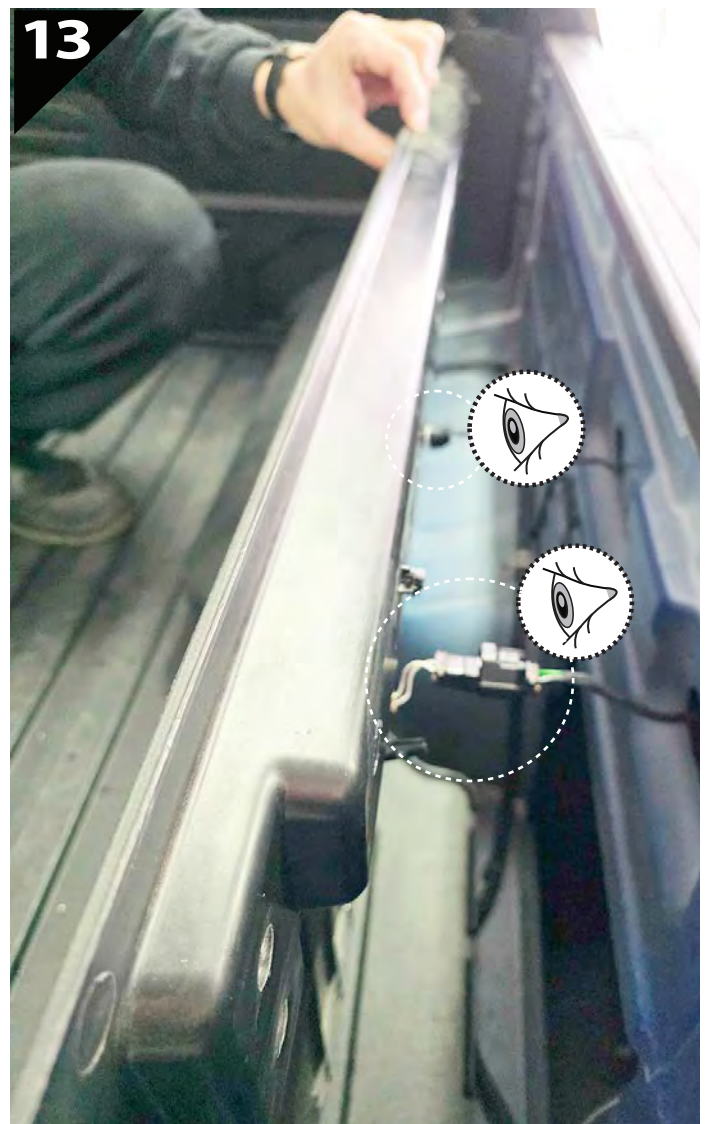
L2



5 x 0.8 x 167cm

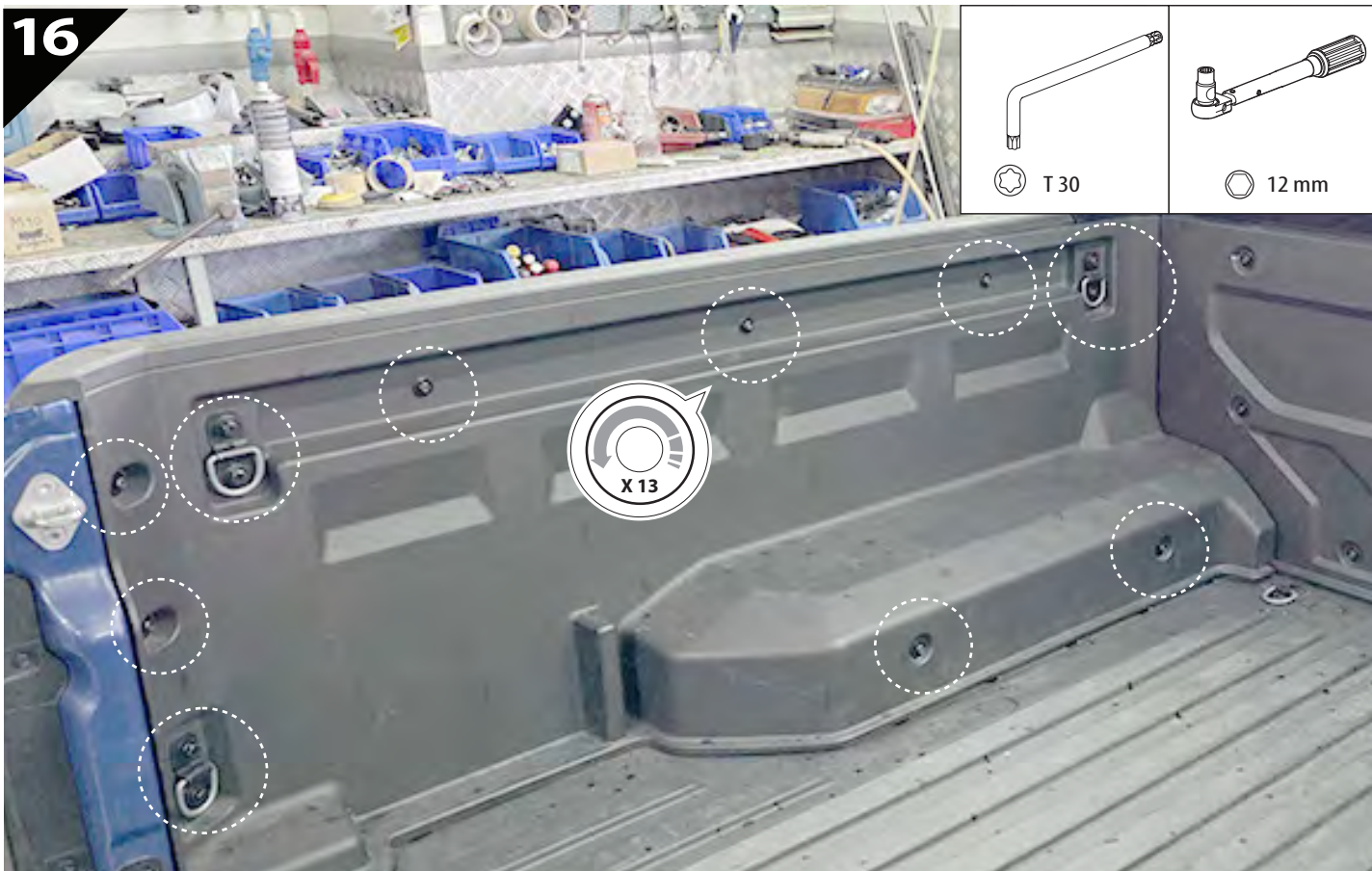








16



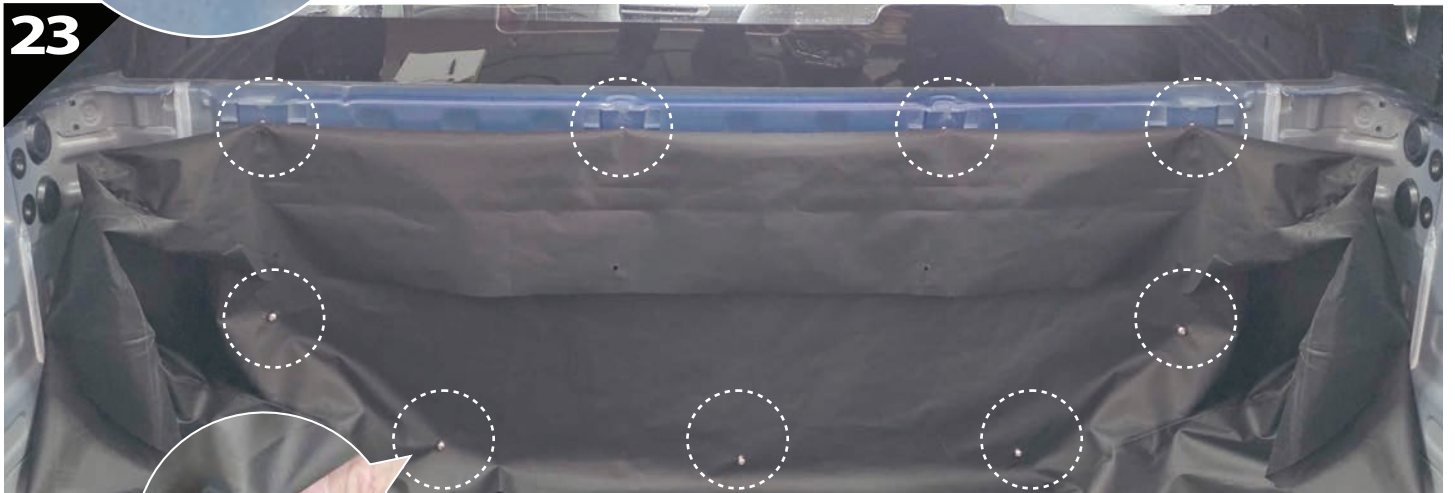
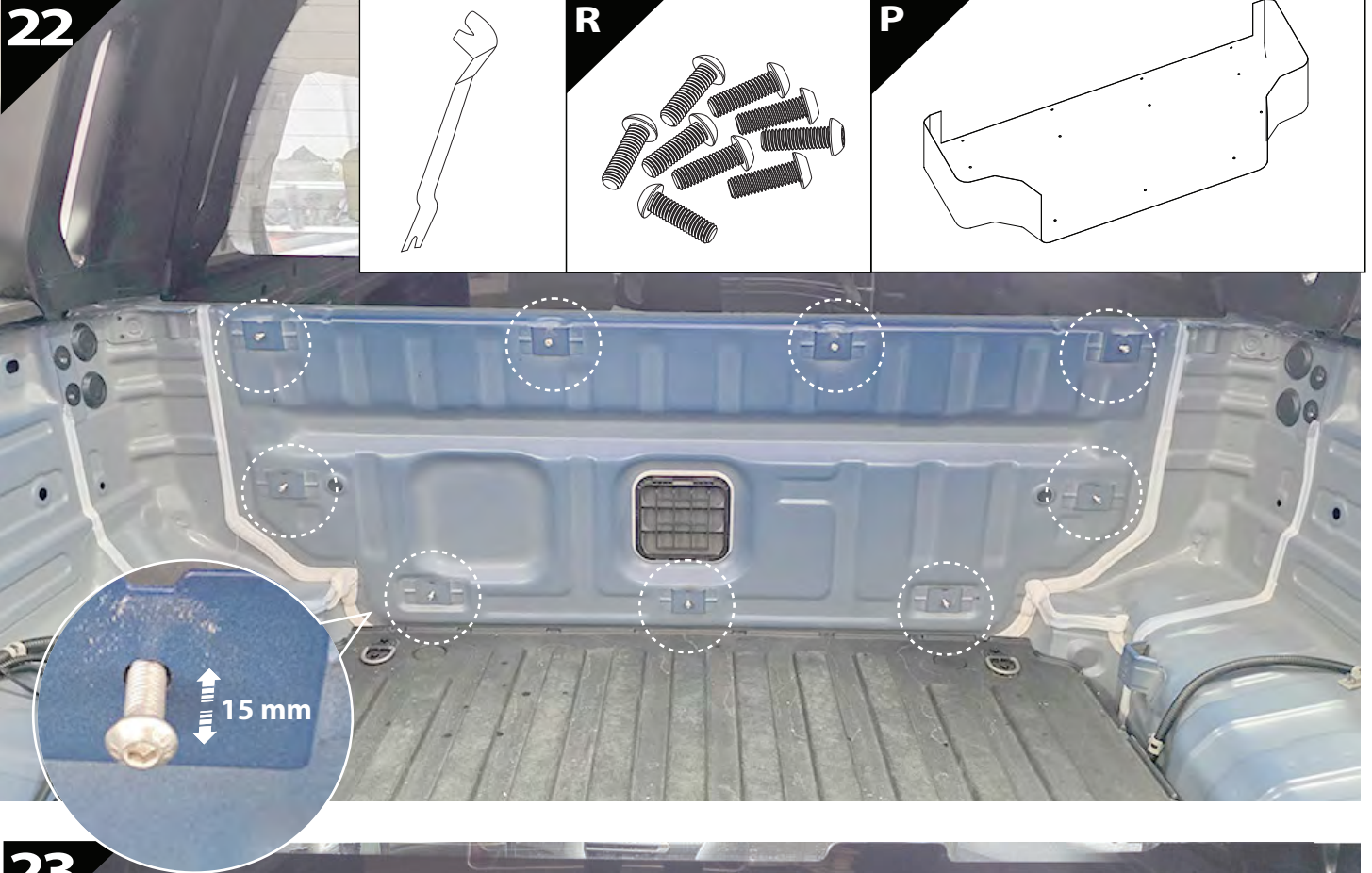
17

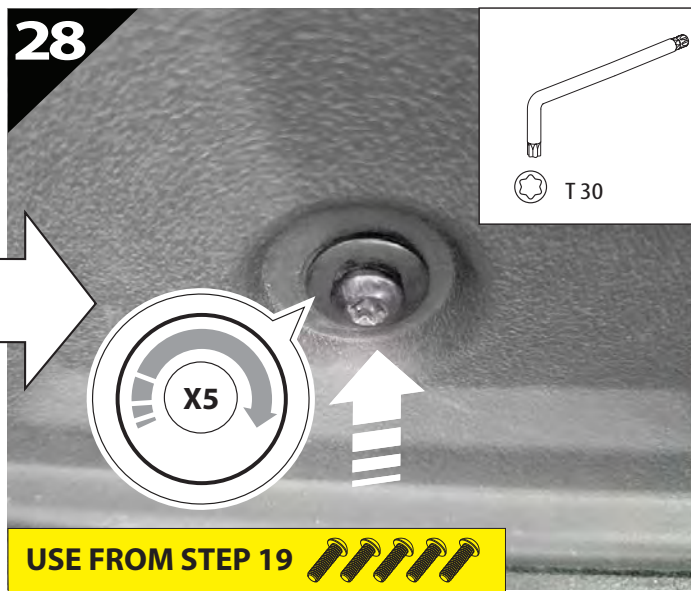
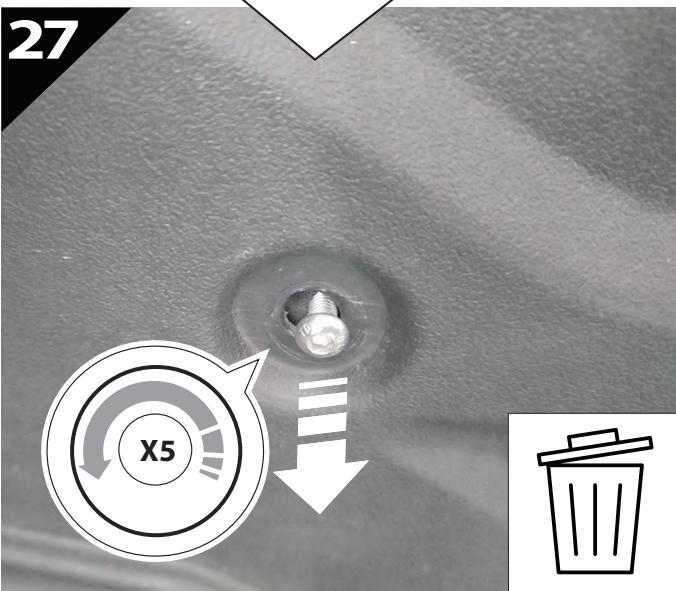


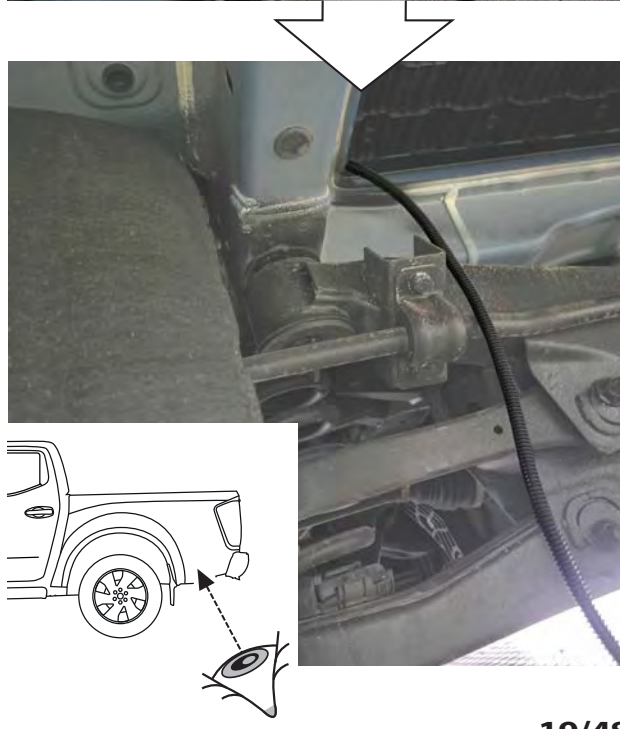
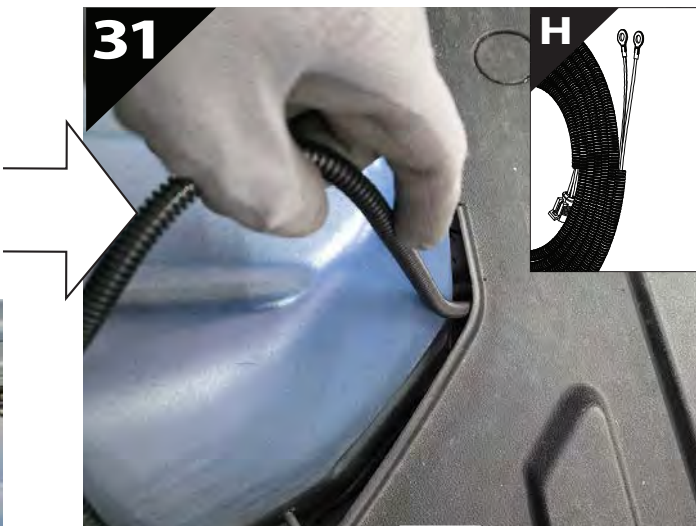
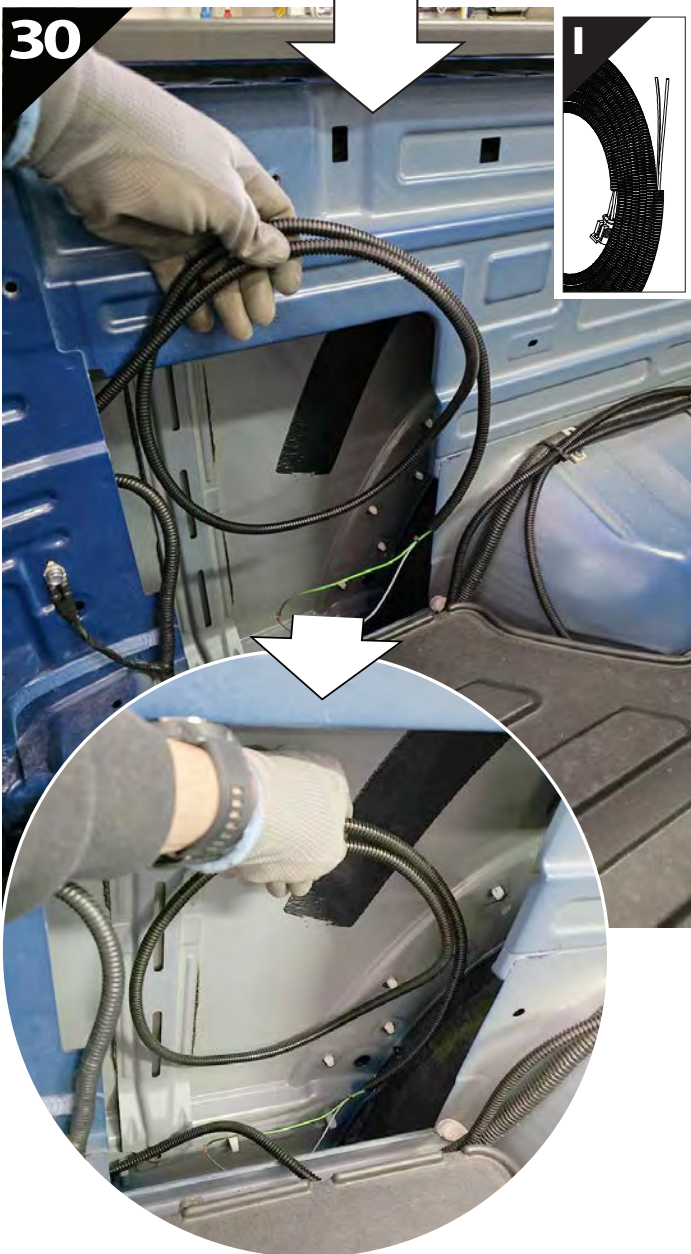
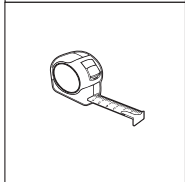
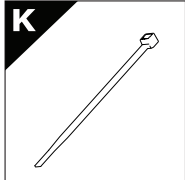
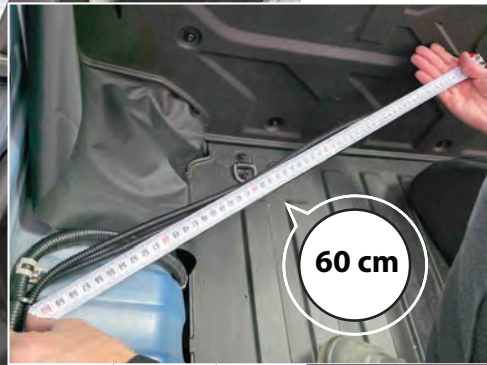
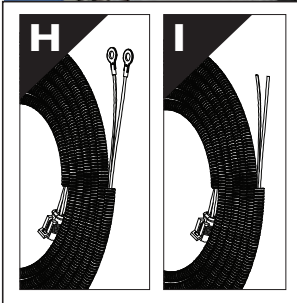
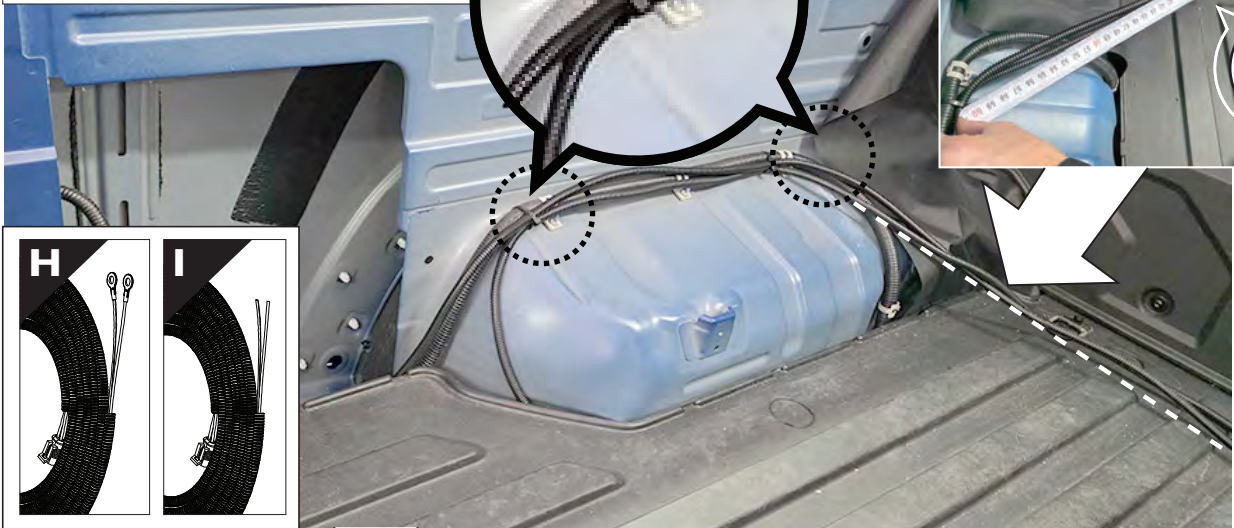
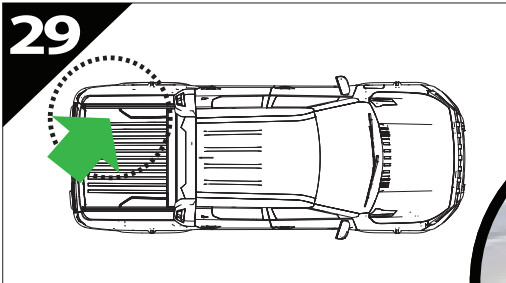
18

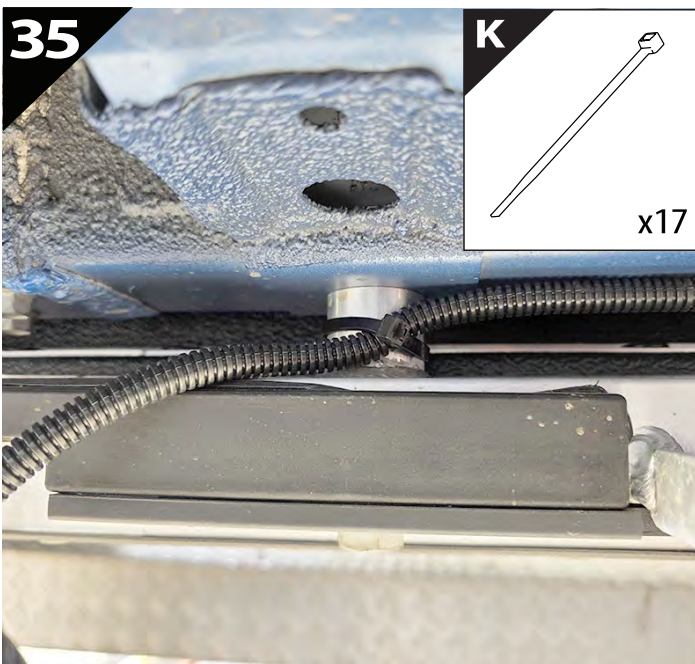
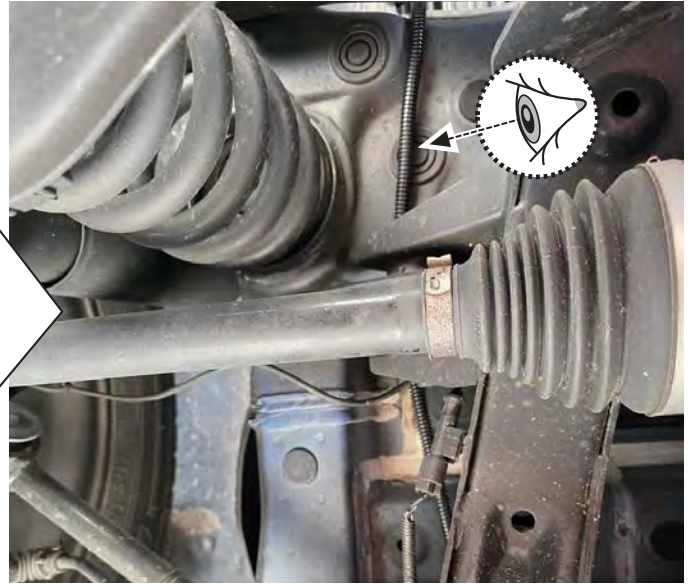
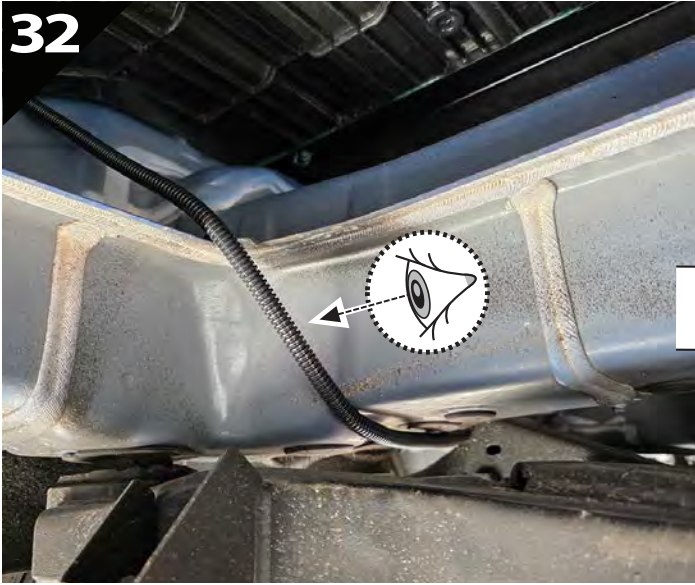


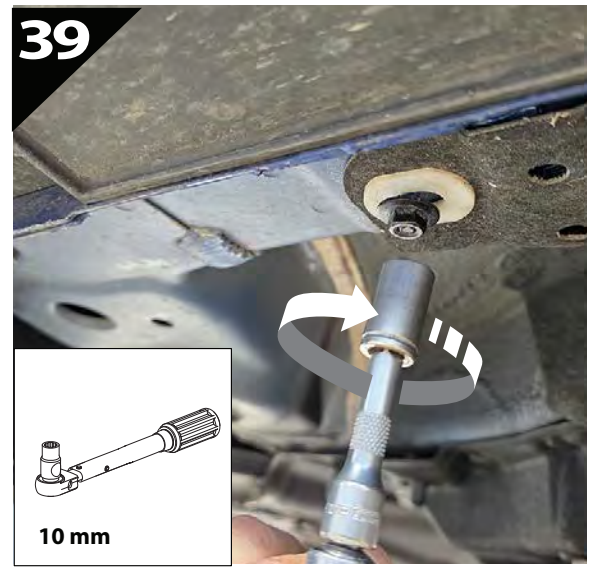
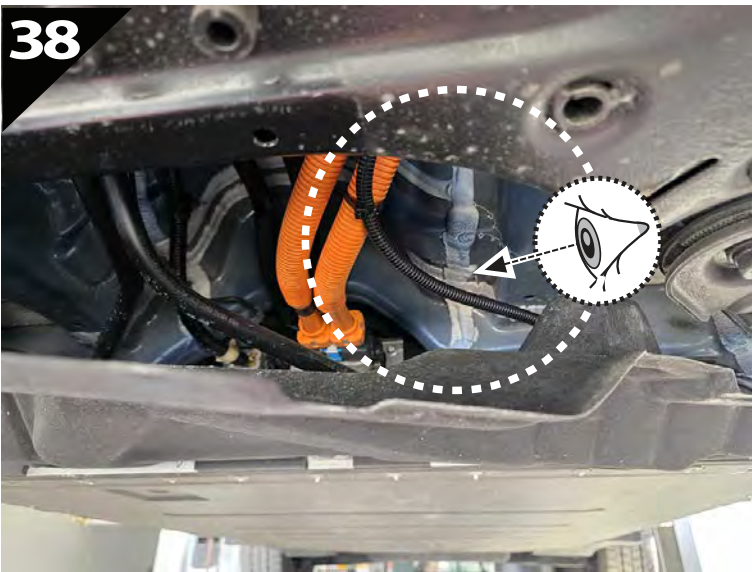
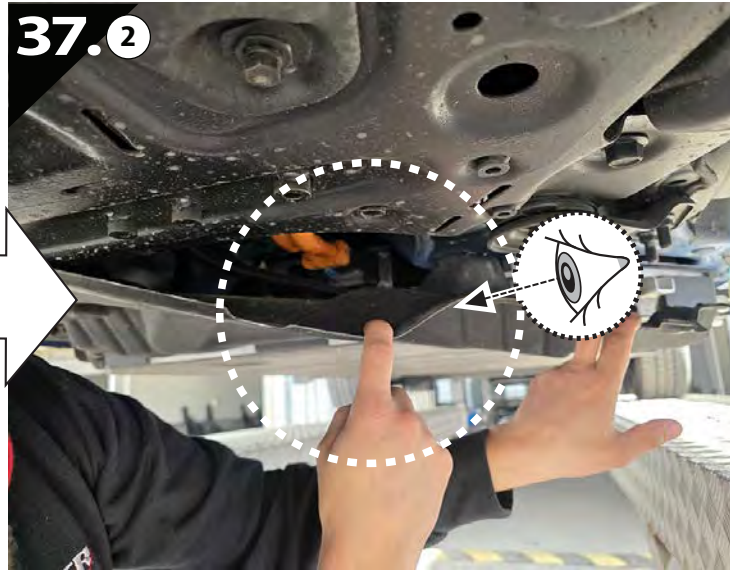
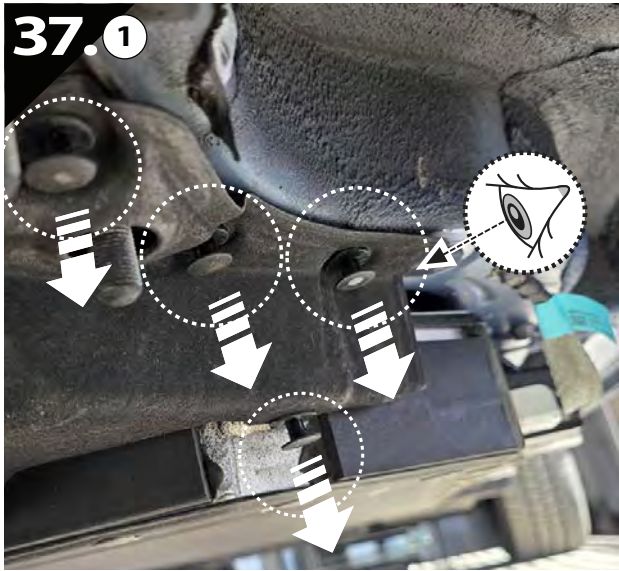


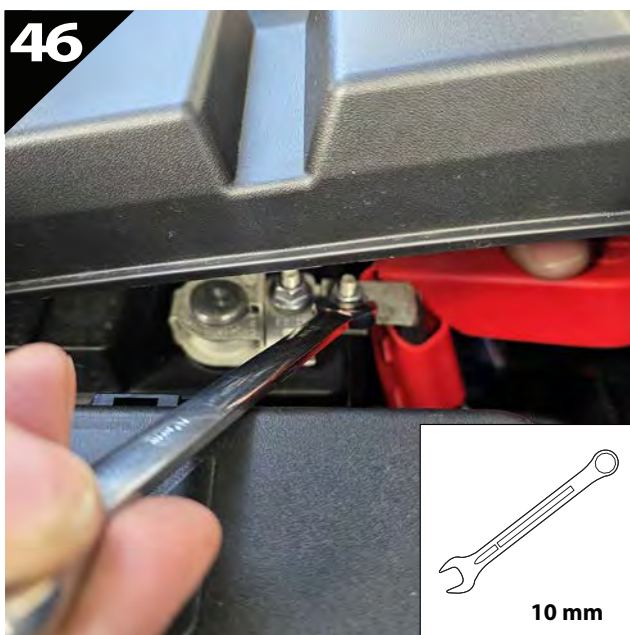
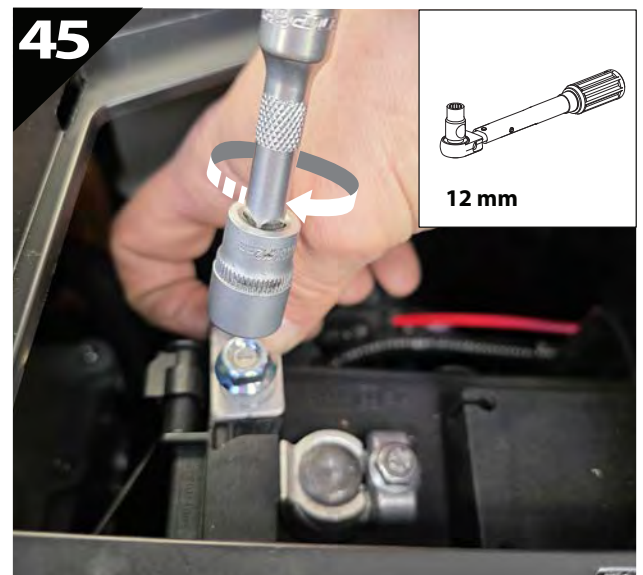
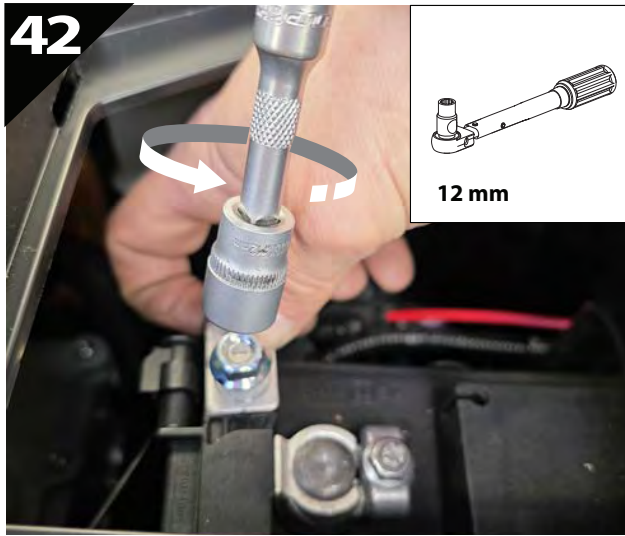




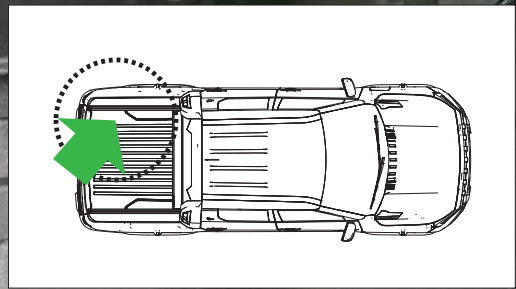




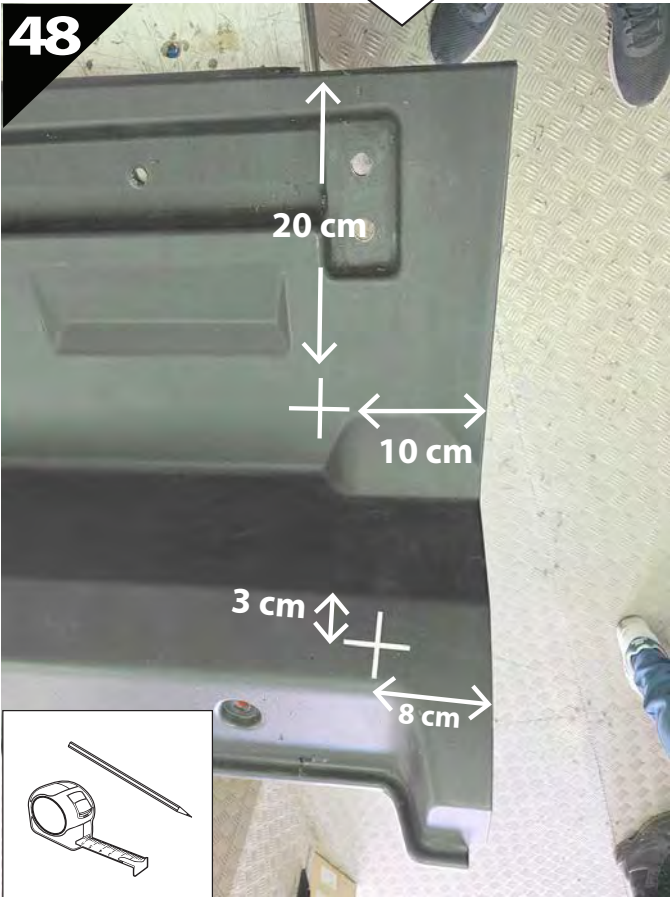




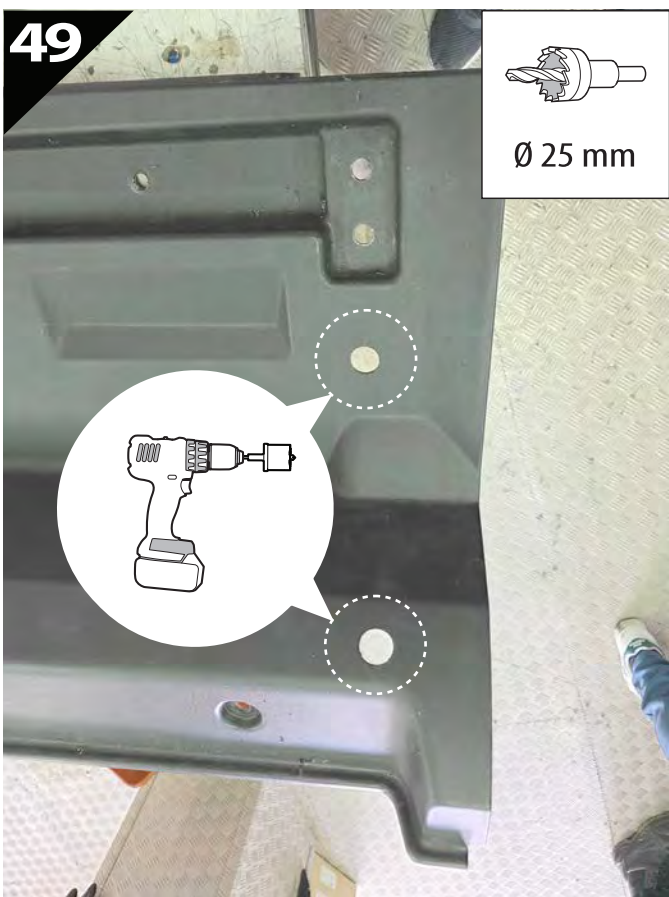
47



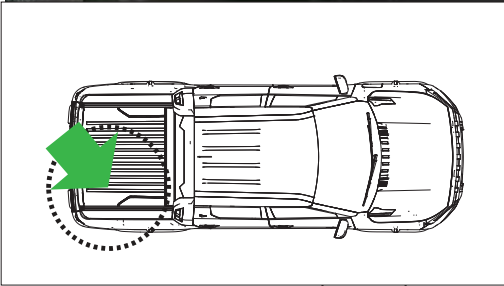
48



49



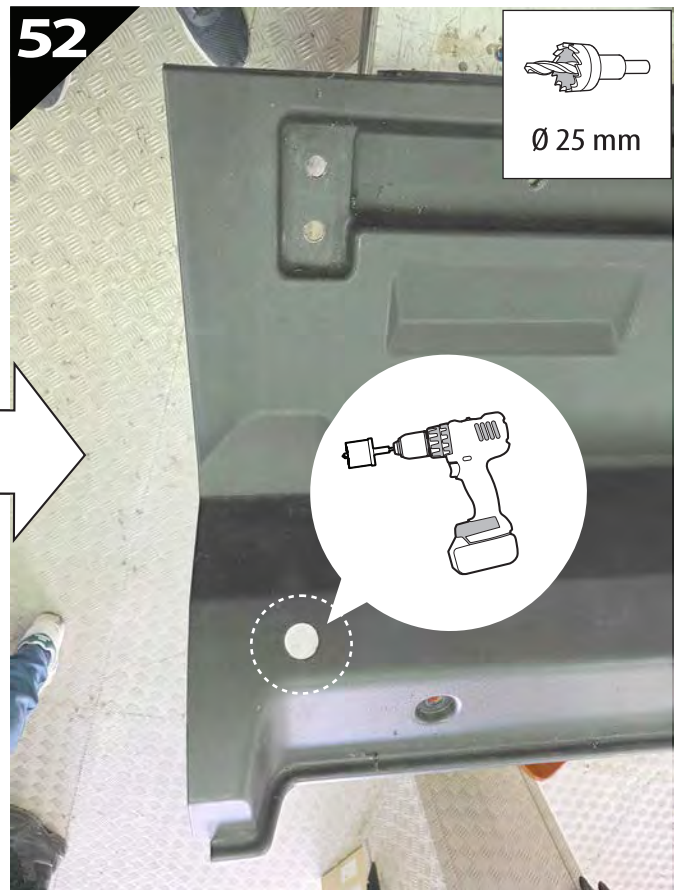
50



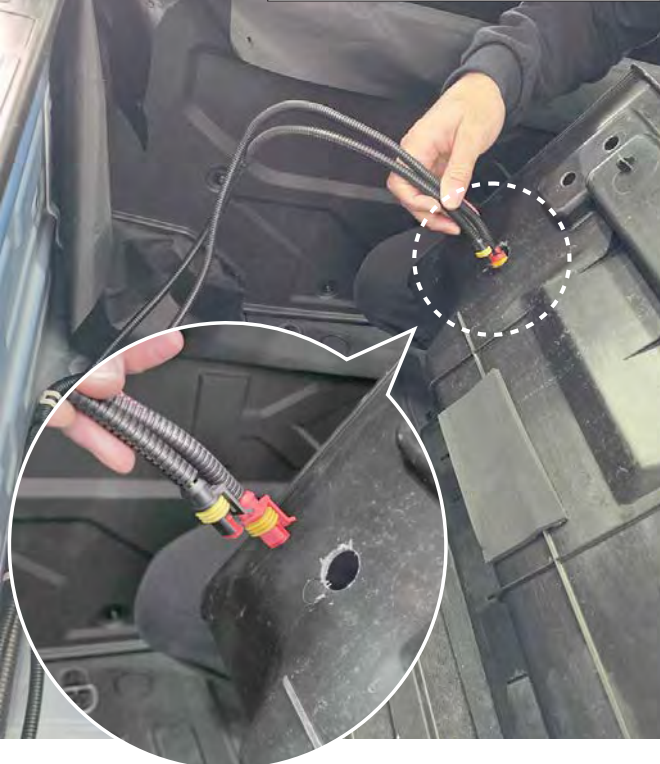
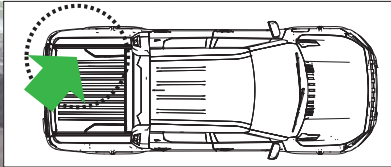
51



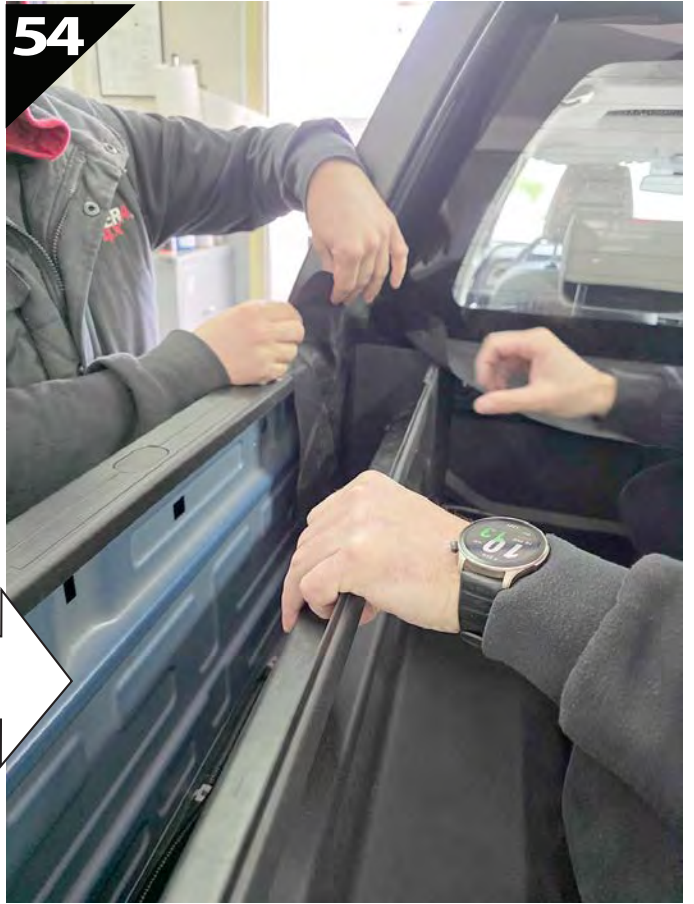
52



53



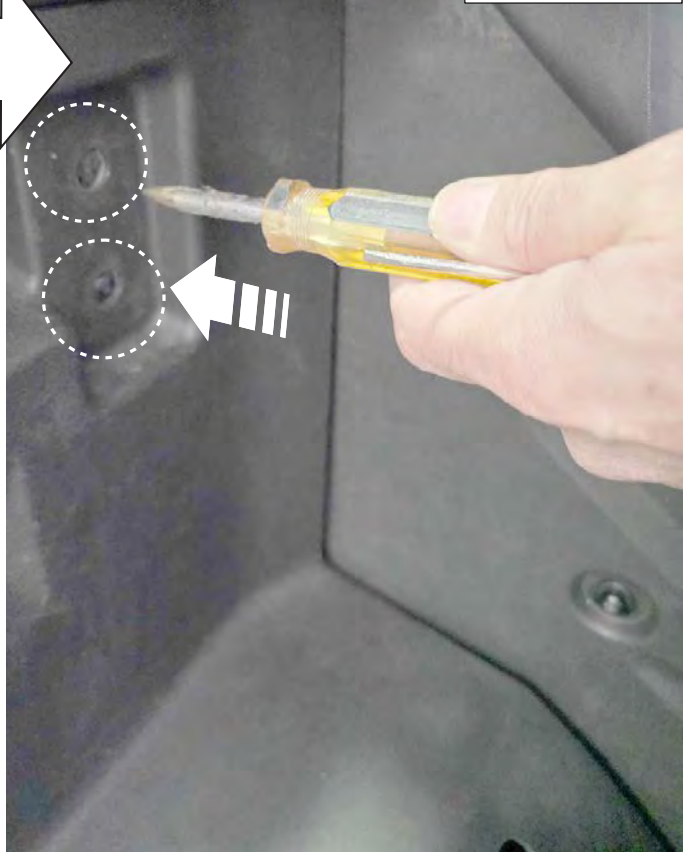
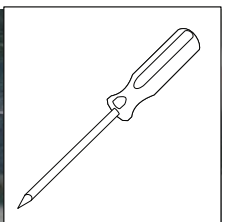
54



55



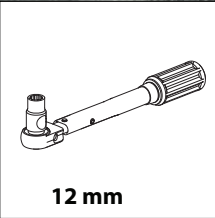
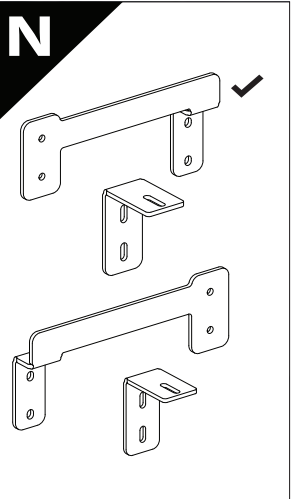
56



57

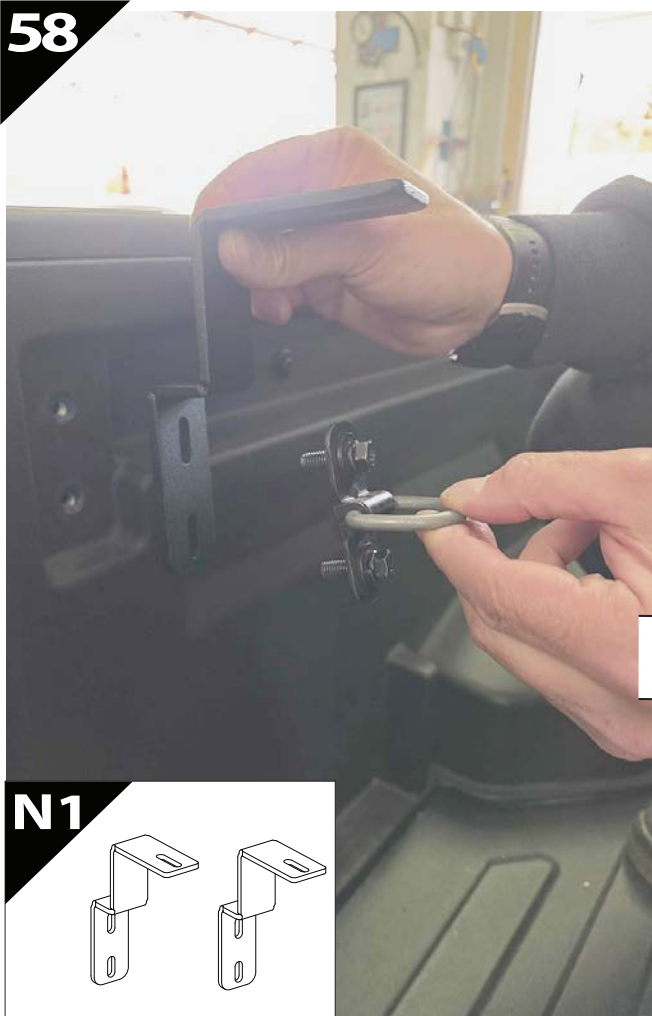


N

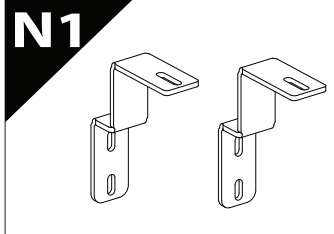


12 mm

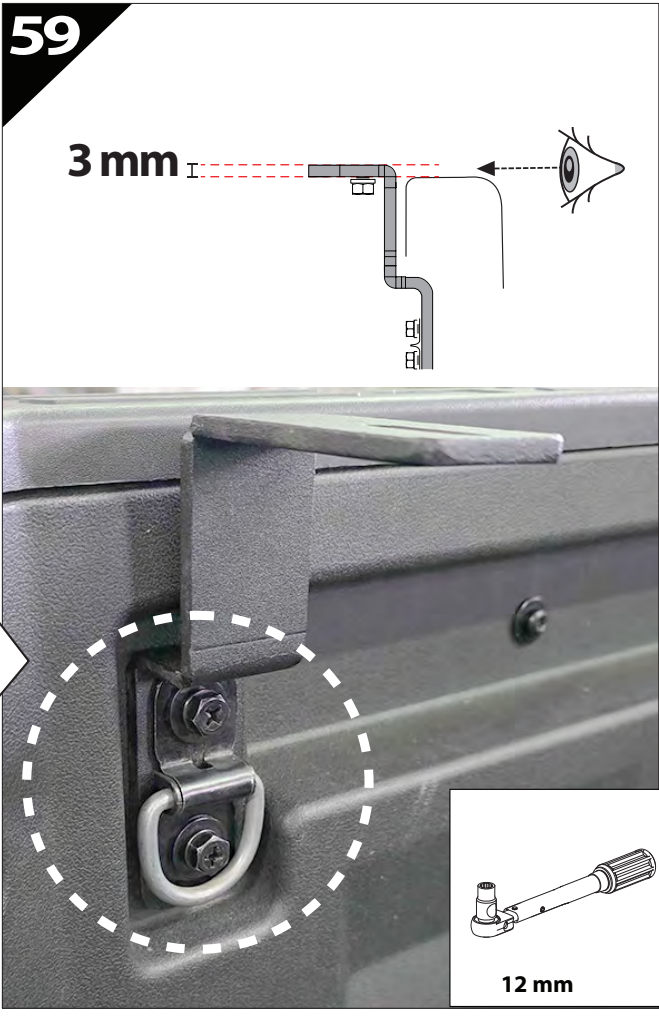
58



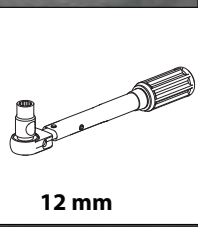
N1



59

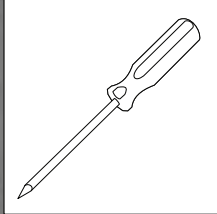


3 mm

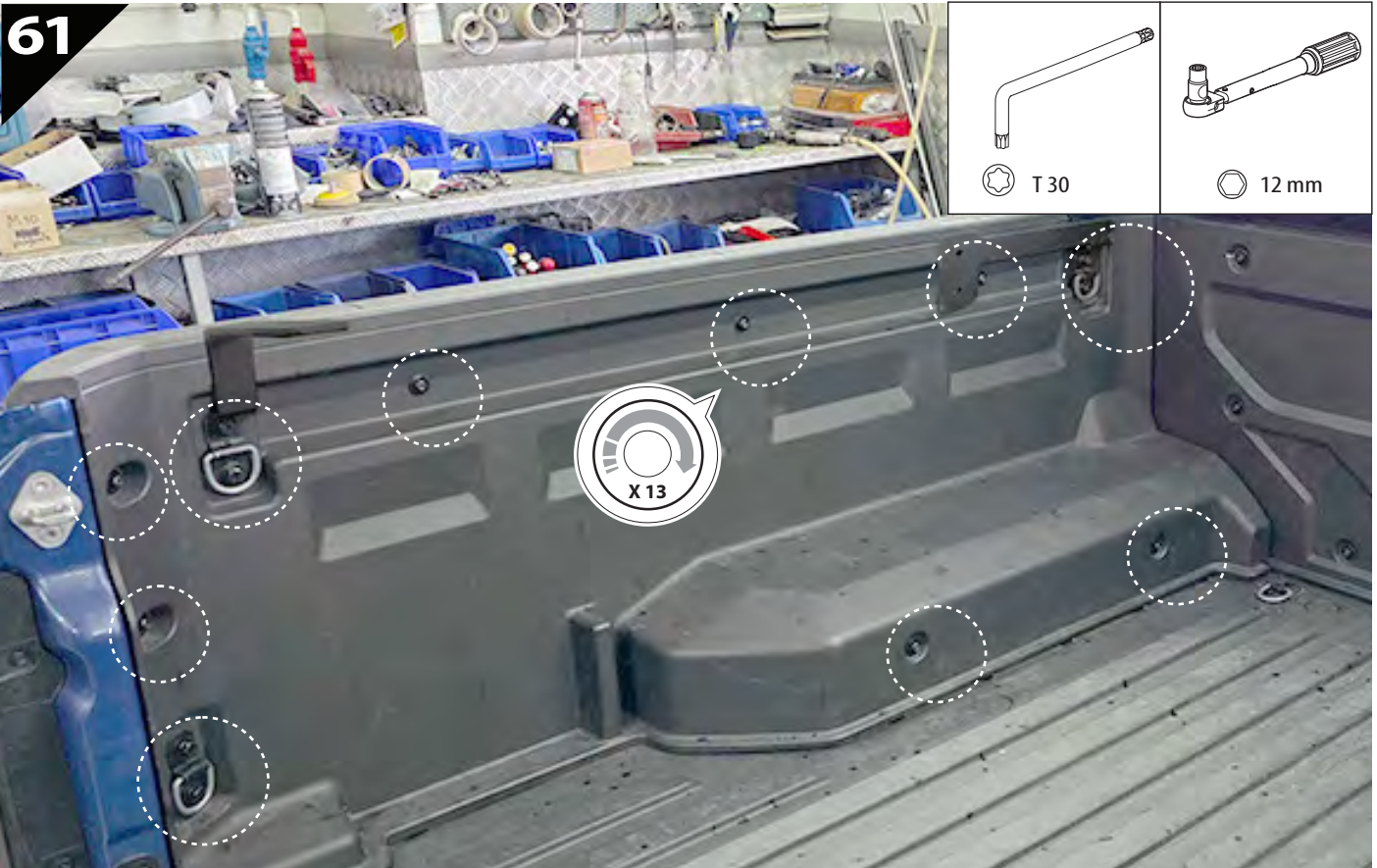
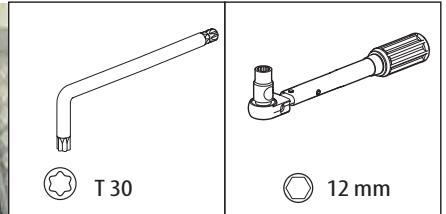


12 mm

60



61



62



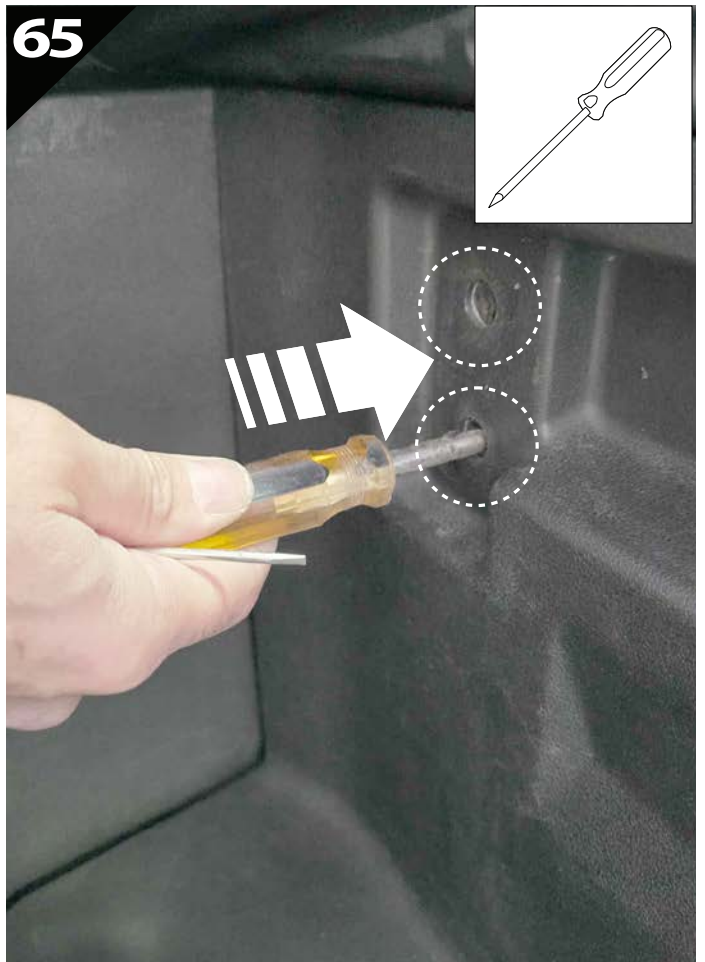
63



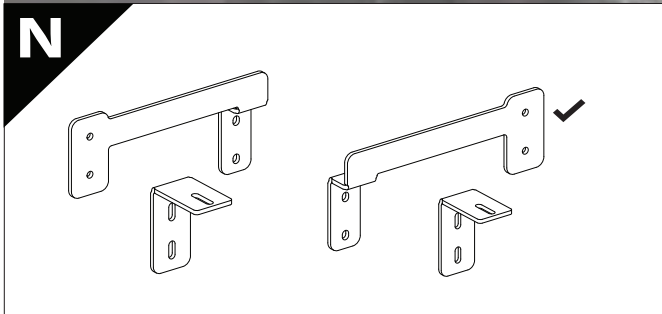
64



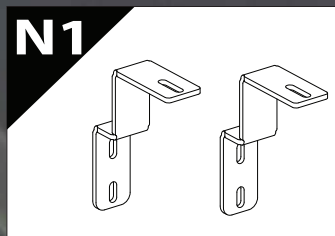
65



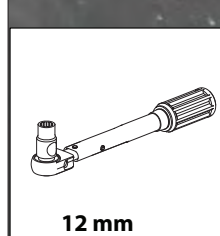
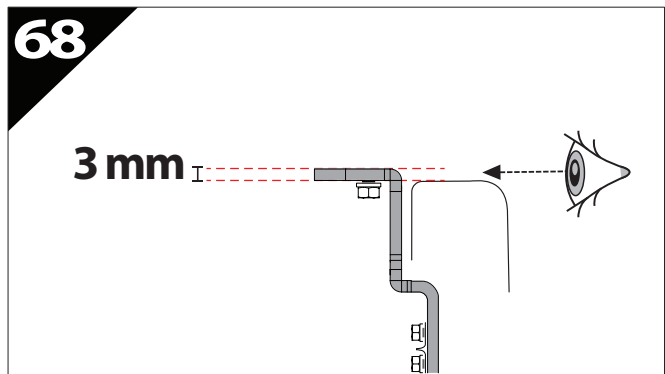
66



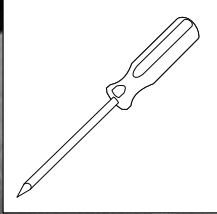
67



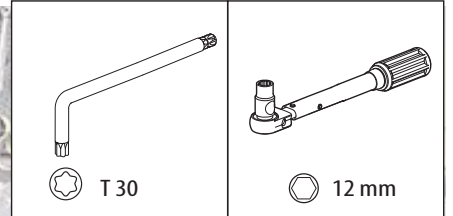
68



69



70



71



72

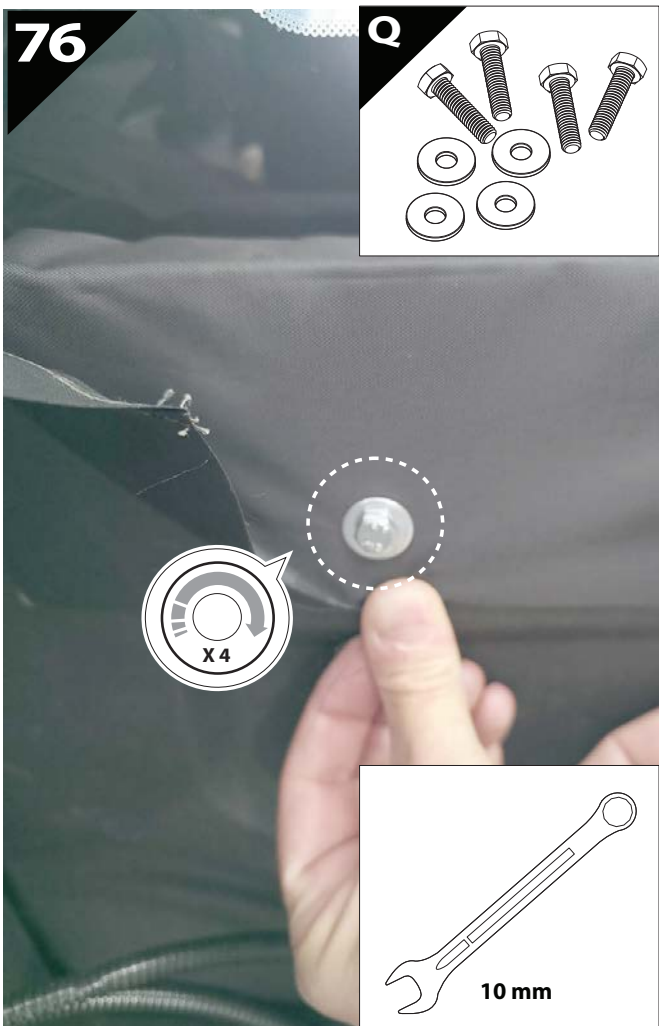


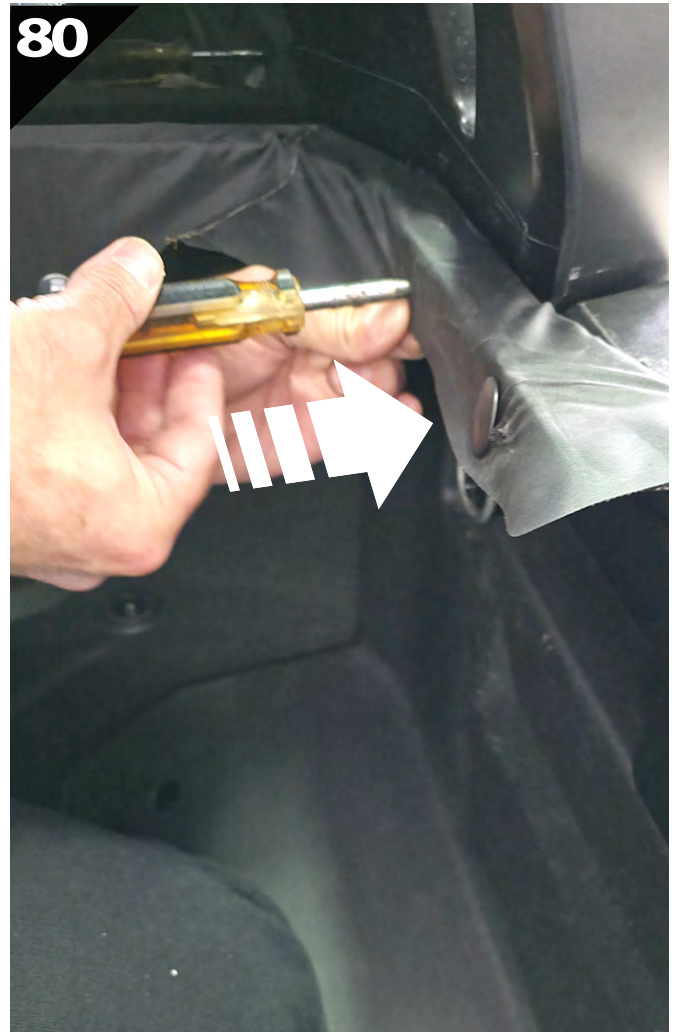
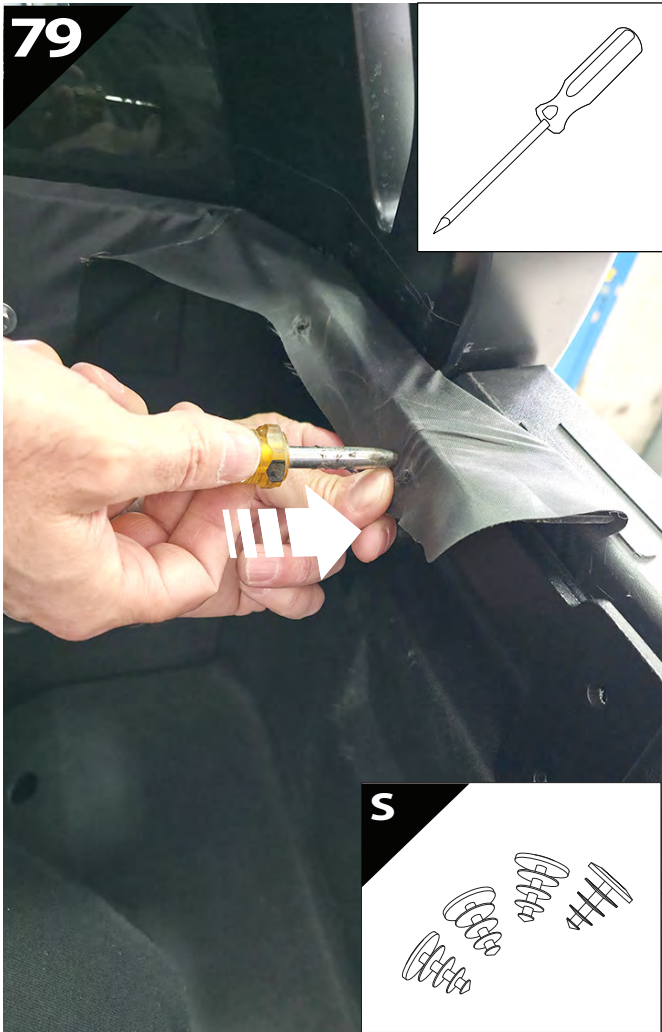
73



74







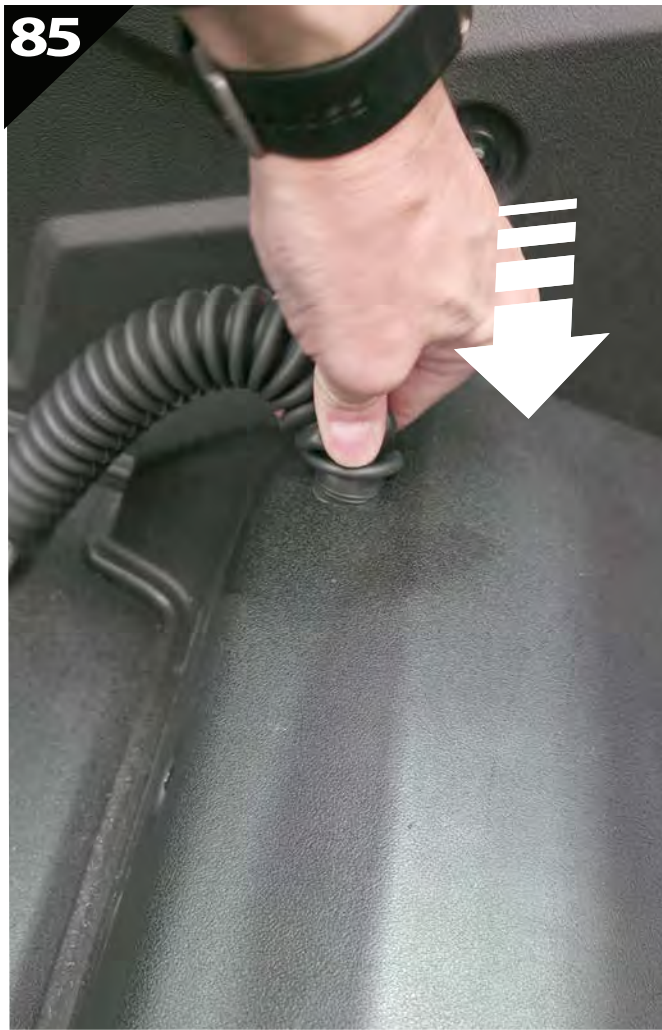
83



84



85

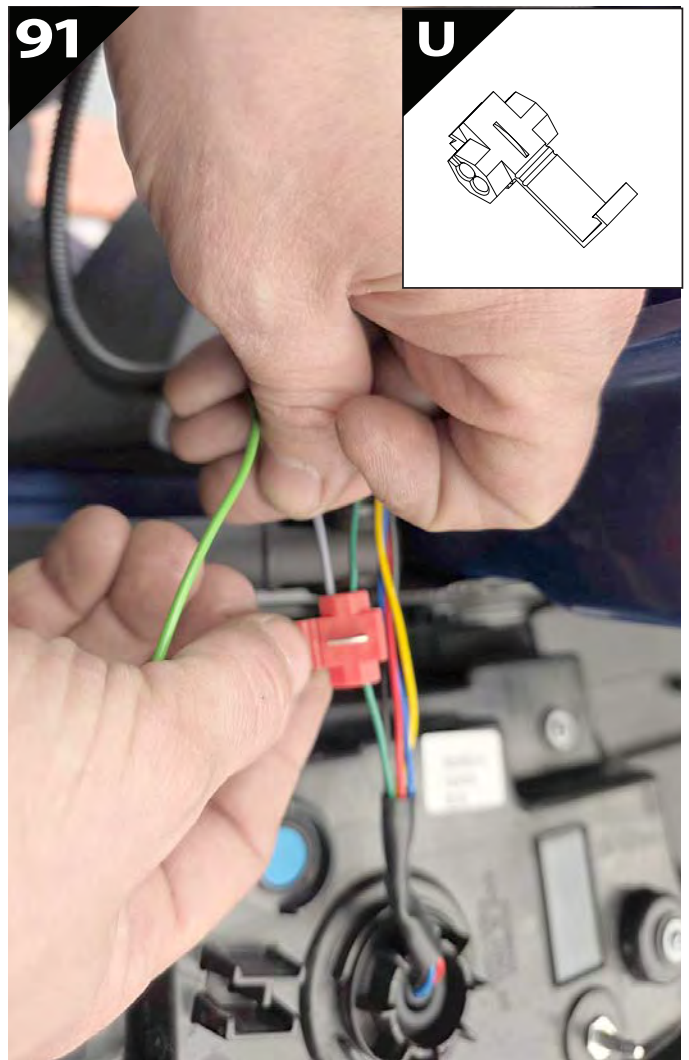
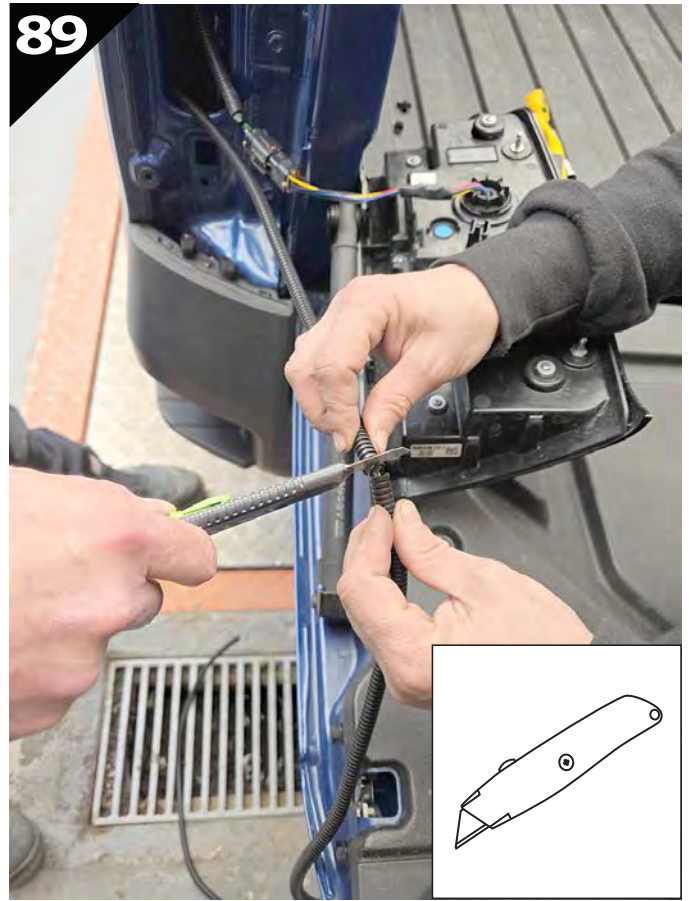


86

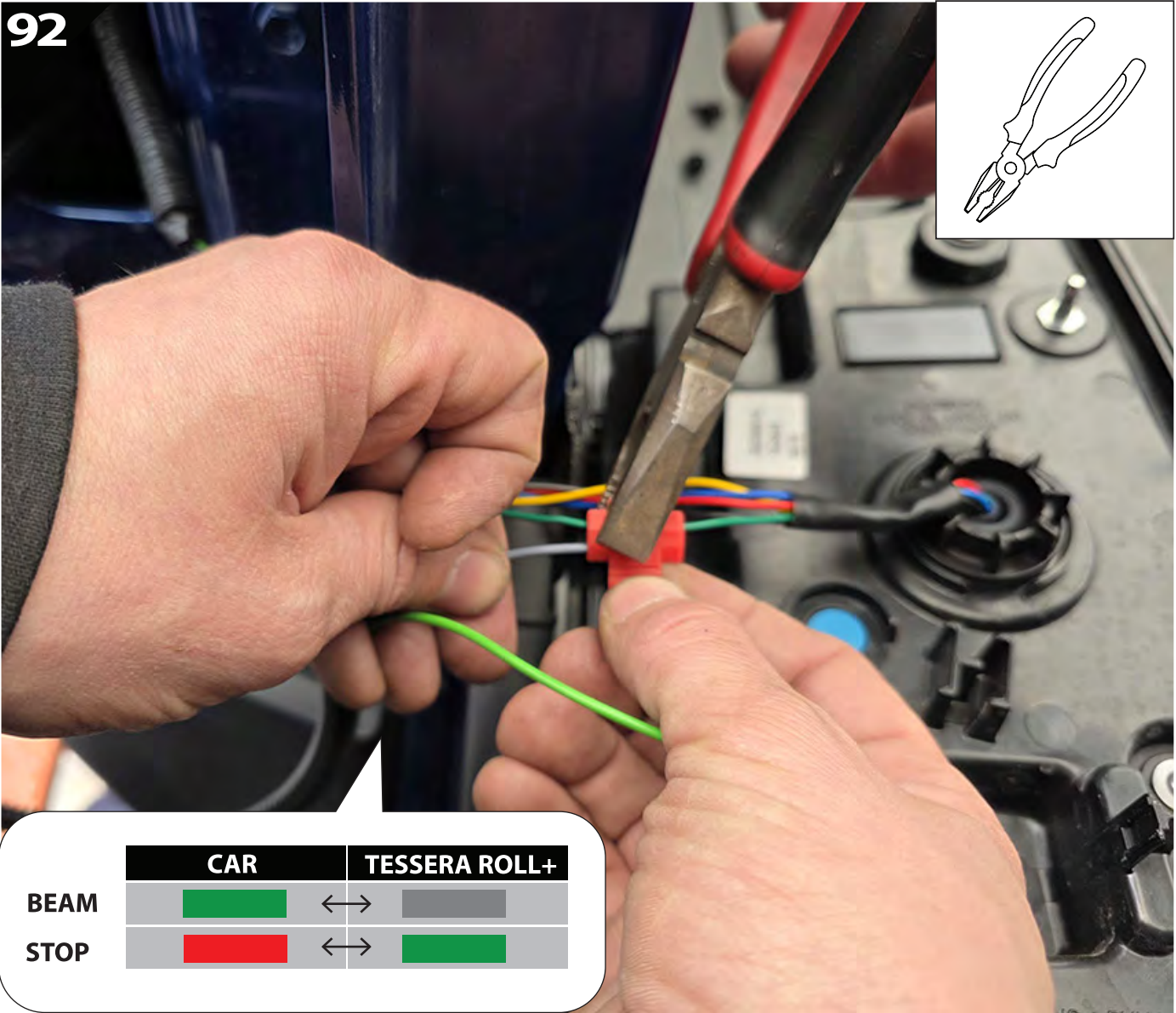
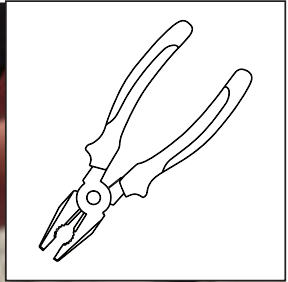






87

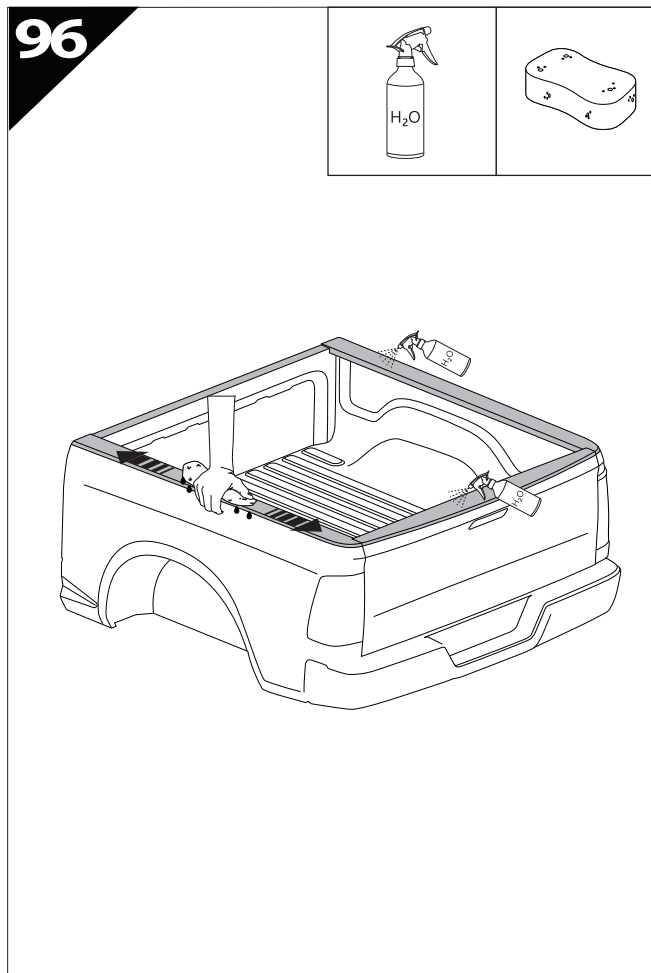
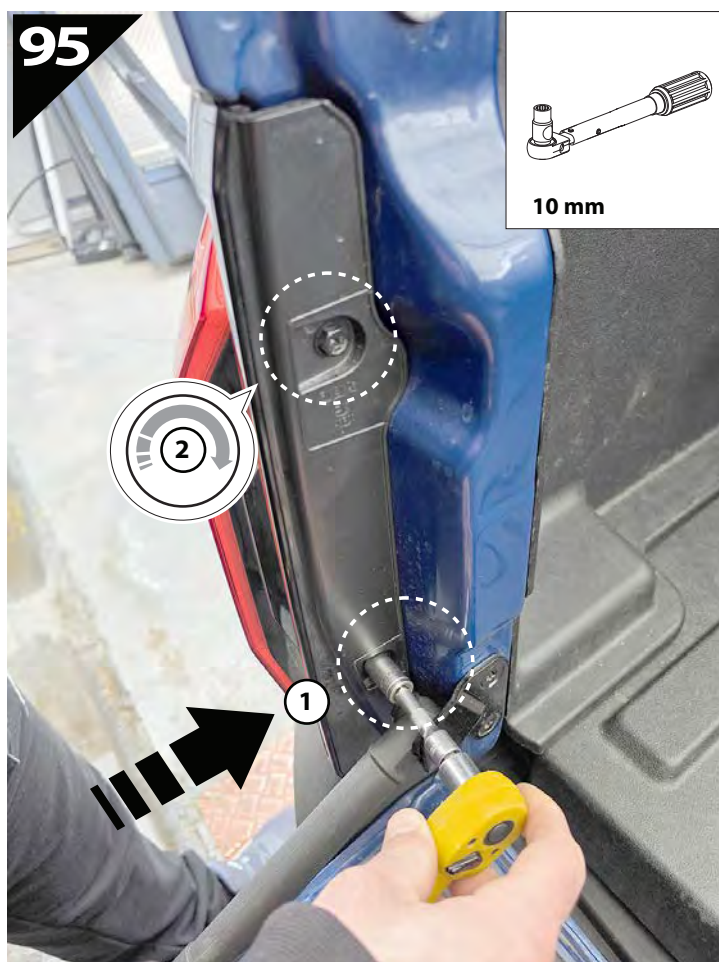


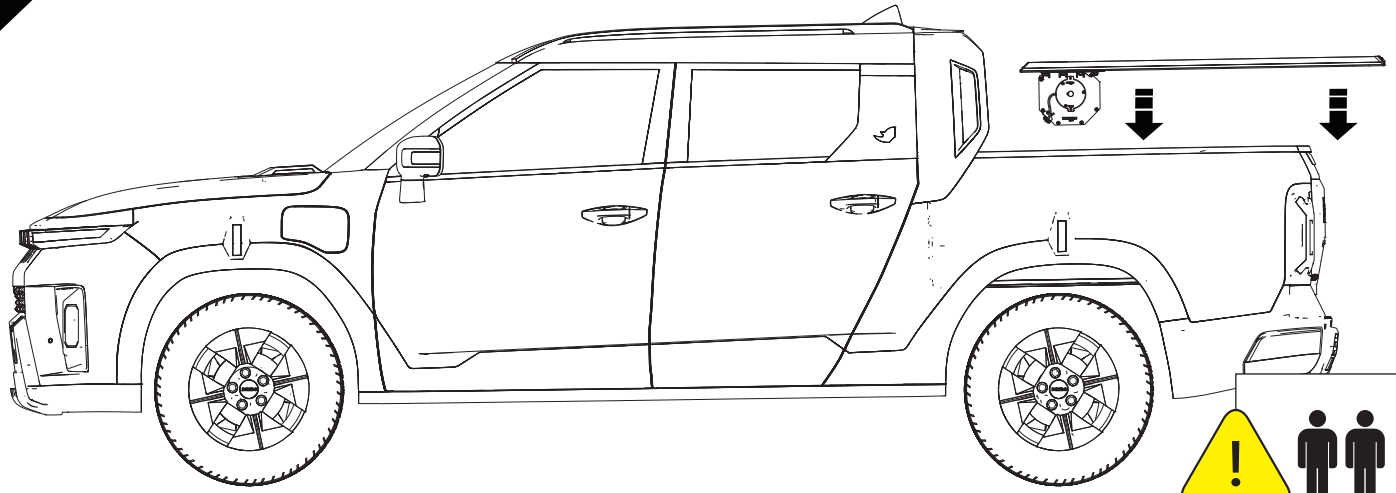


92

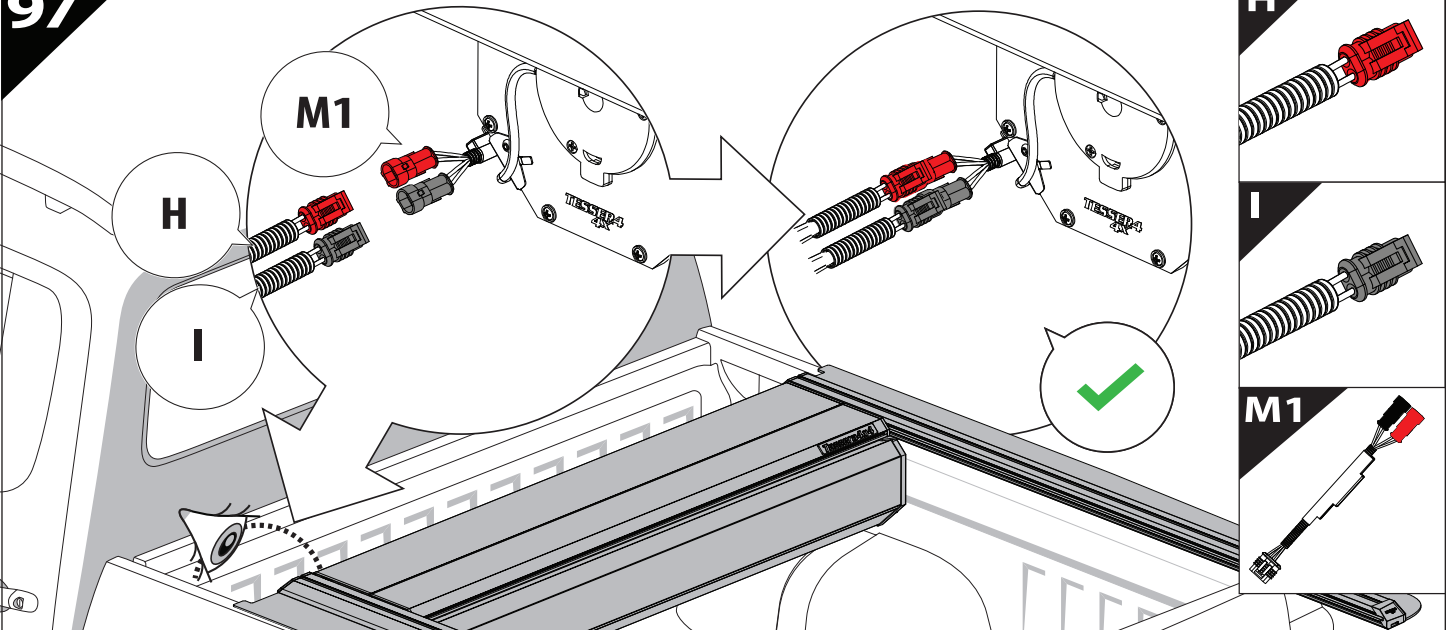


	CAR		TESSERA ROLL+
BEAM		↔	
STOP		↔	

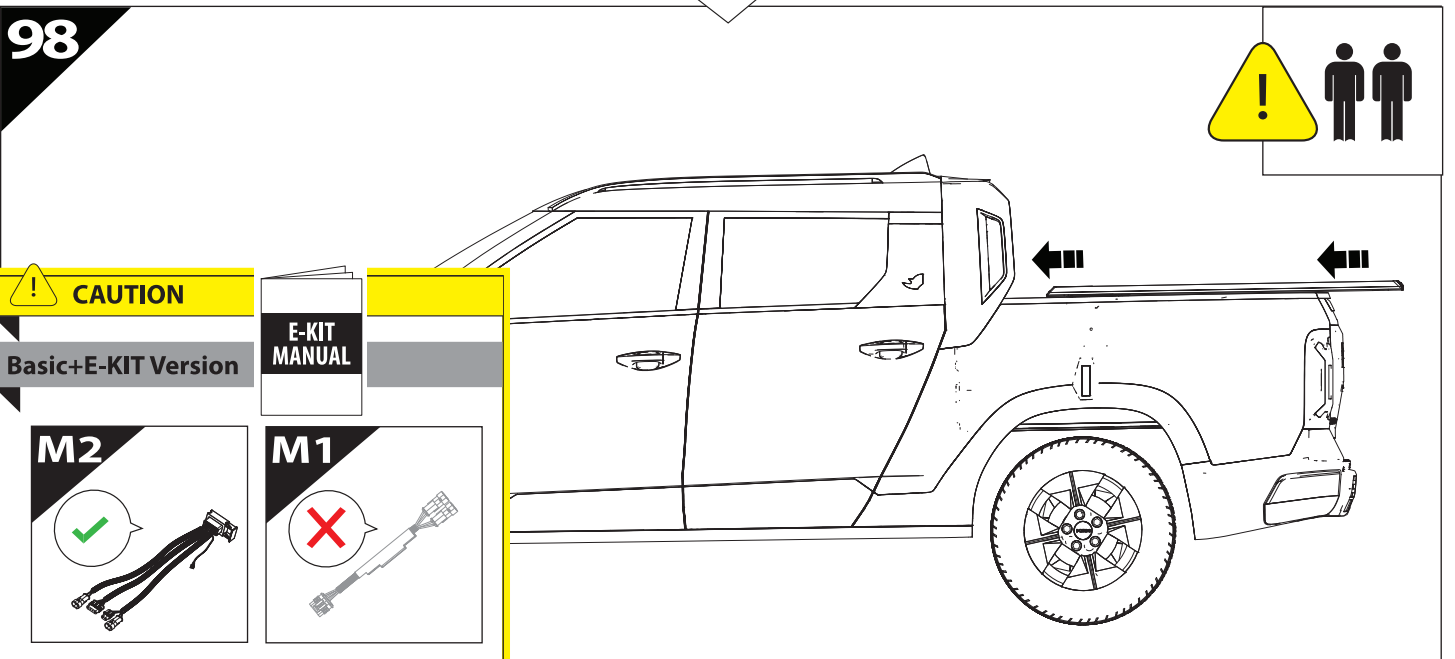


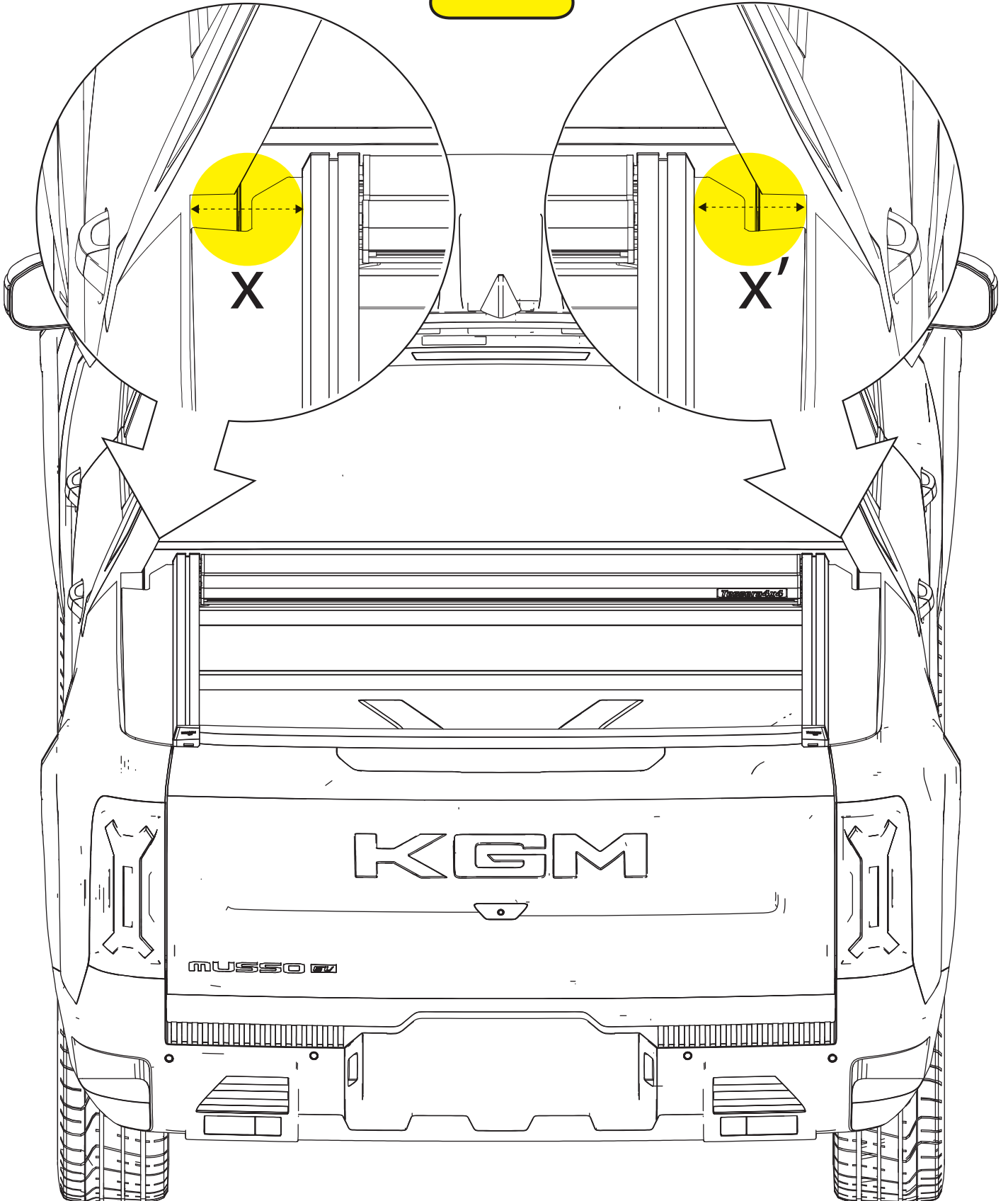
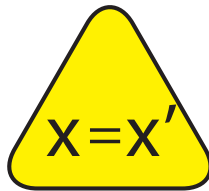


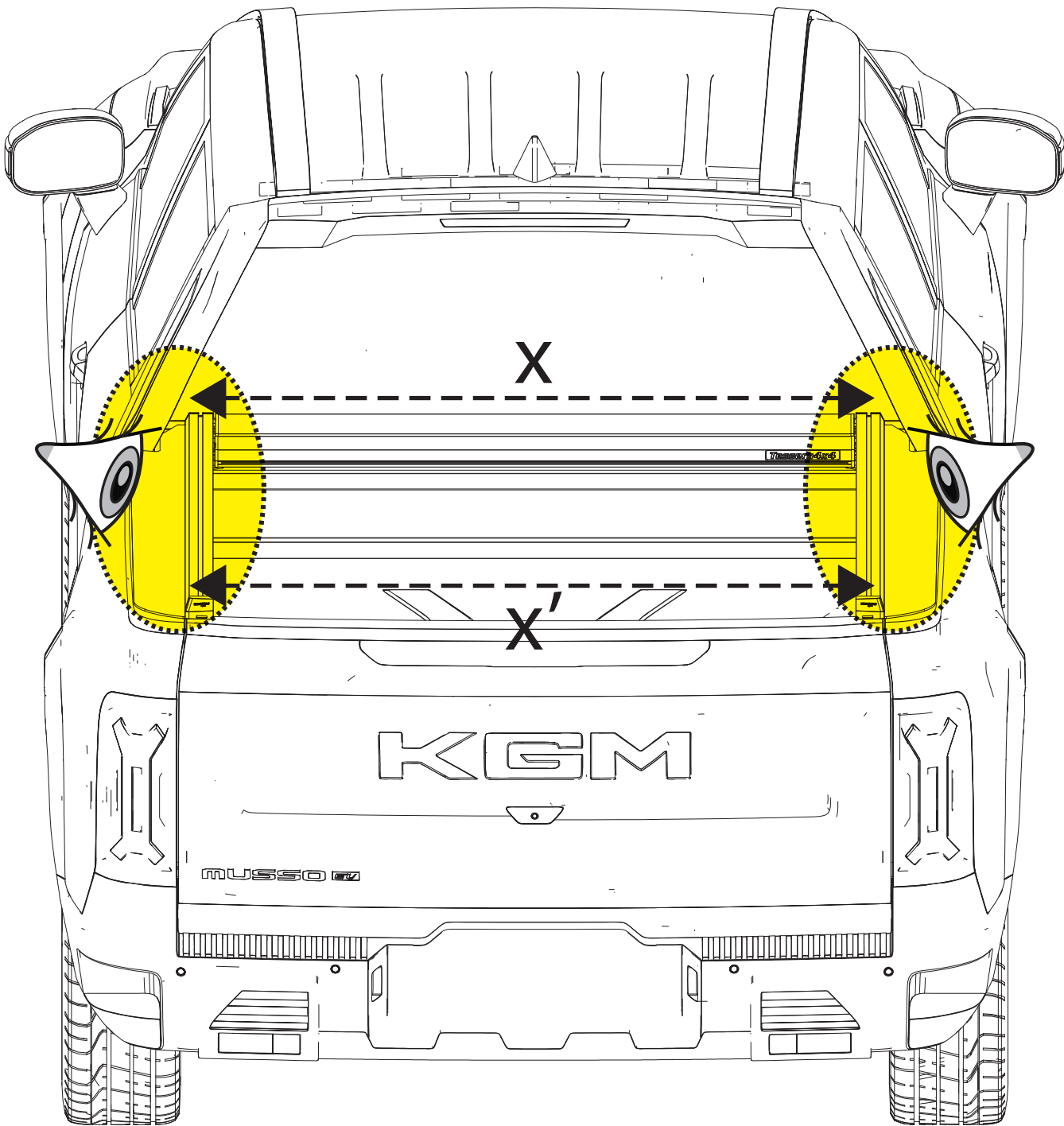
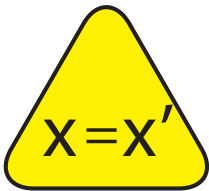
97



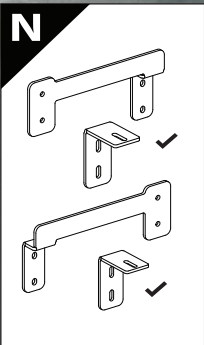
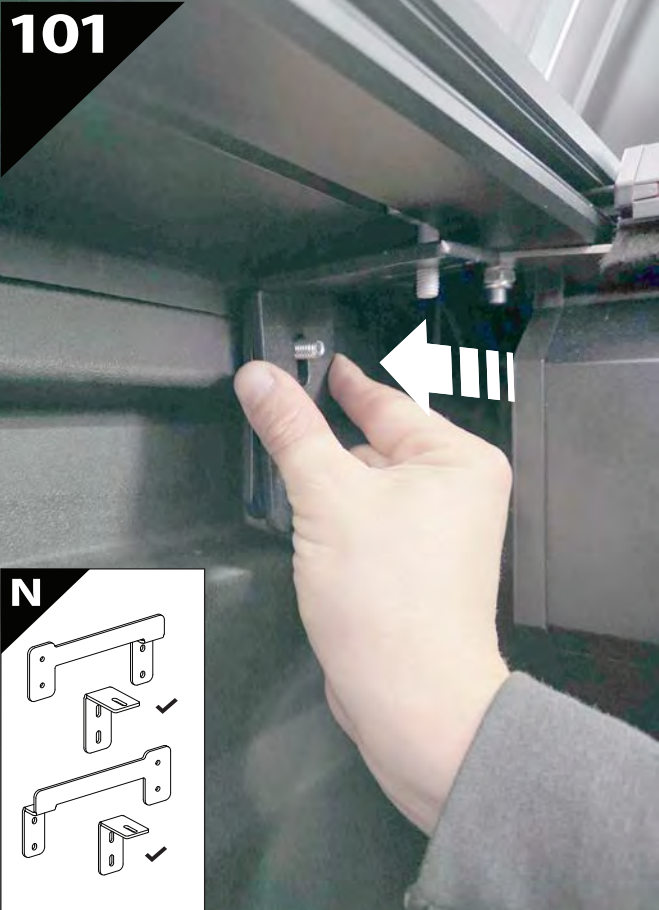
98



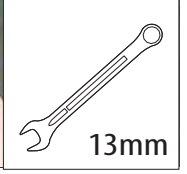
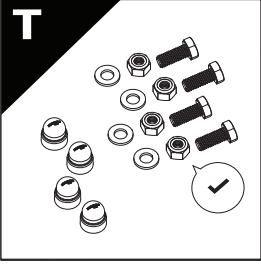
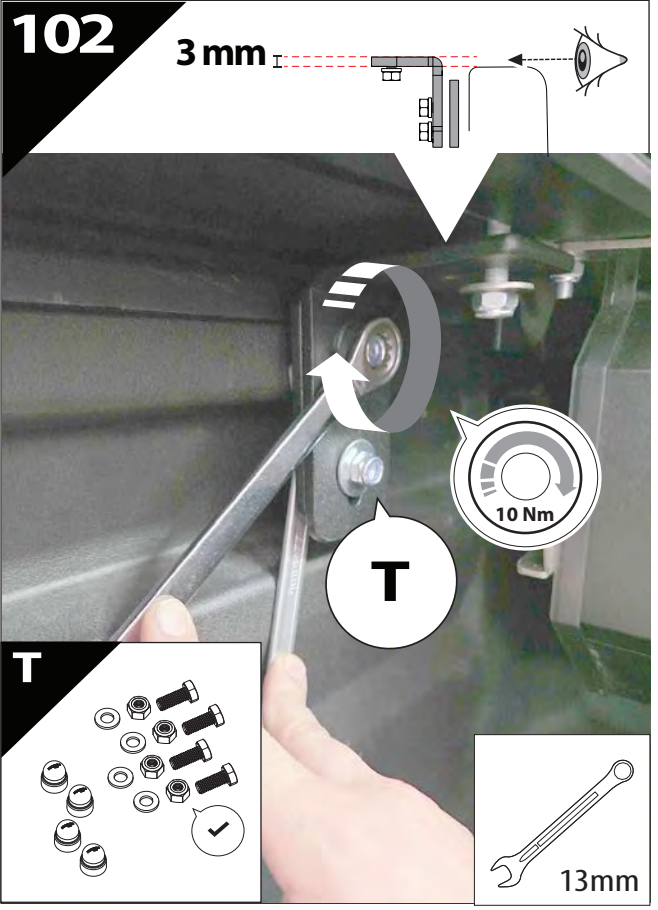




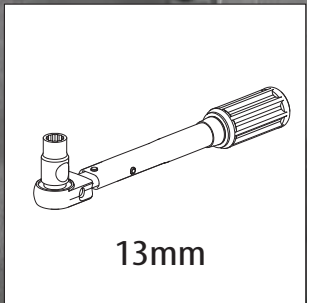
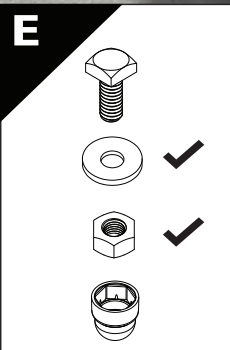
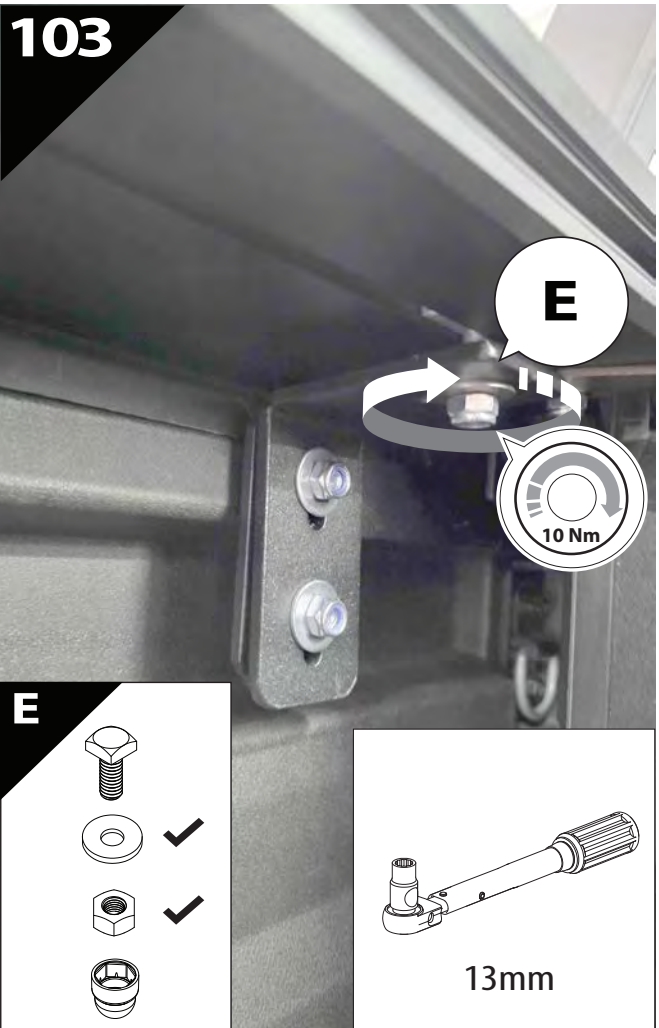
101



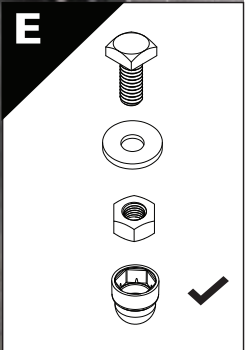
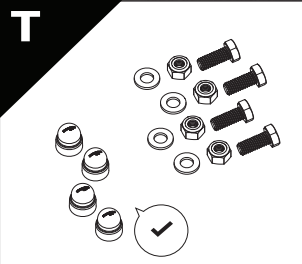
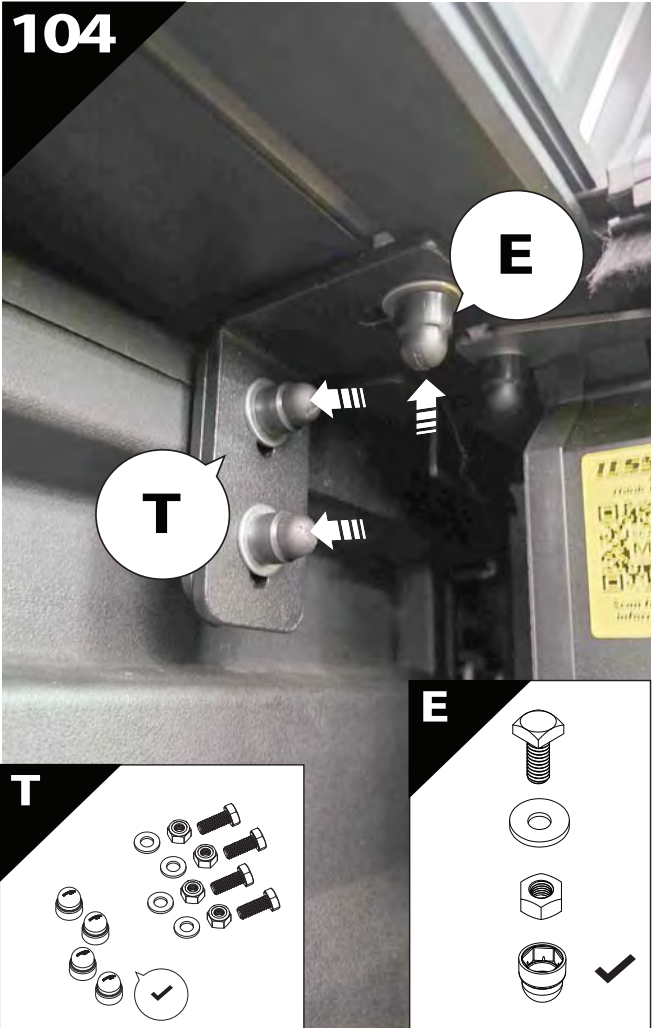
102

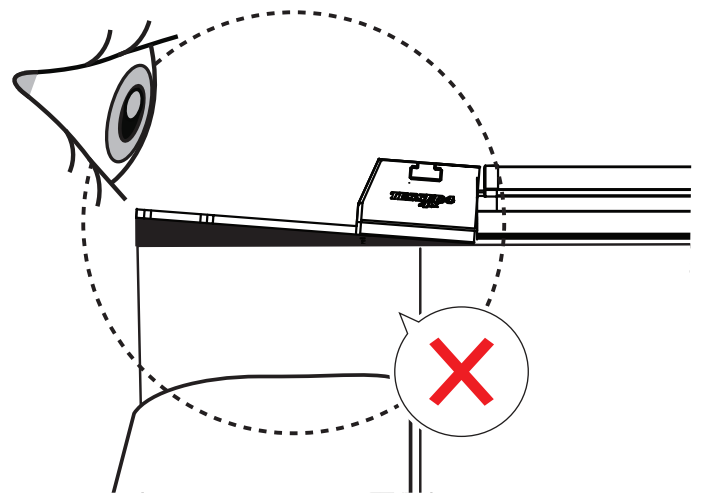
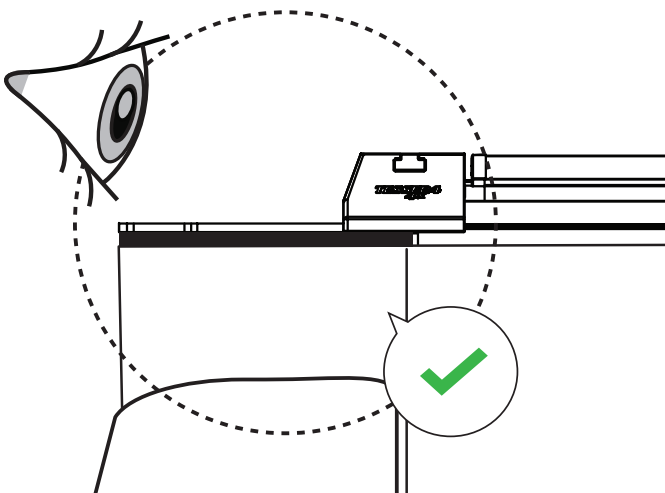
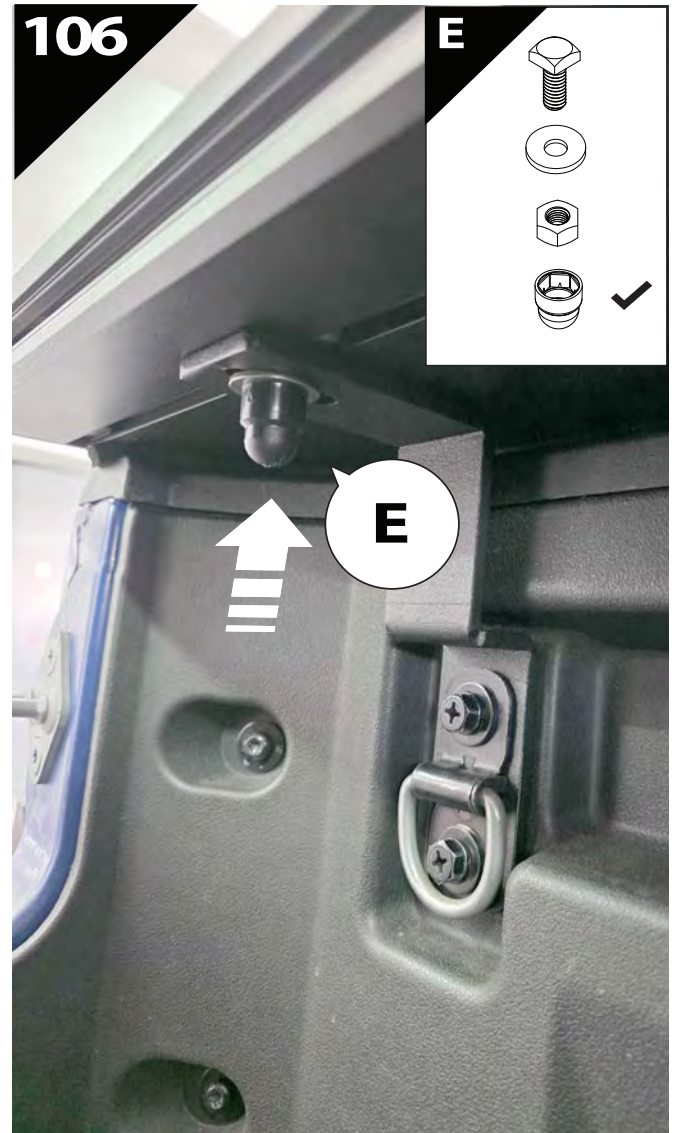
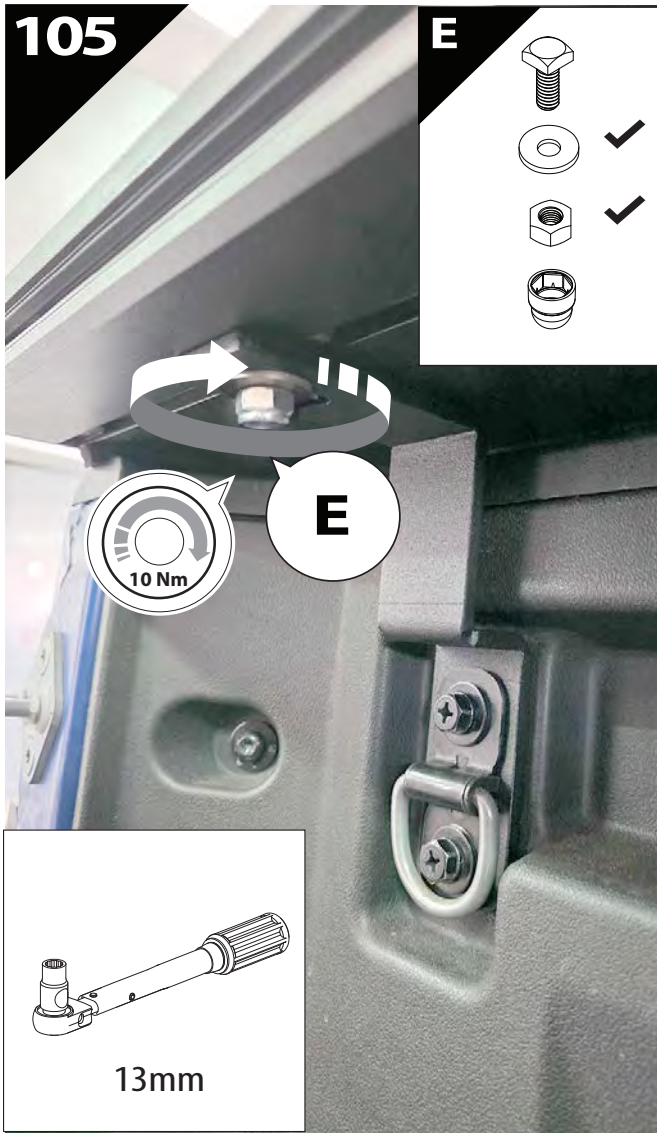


103

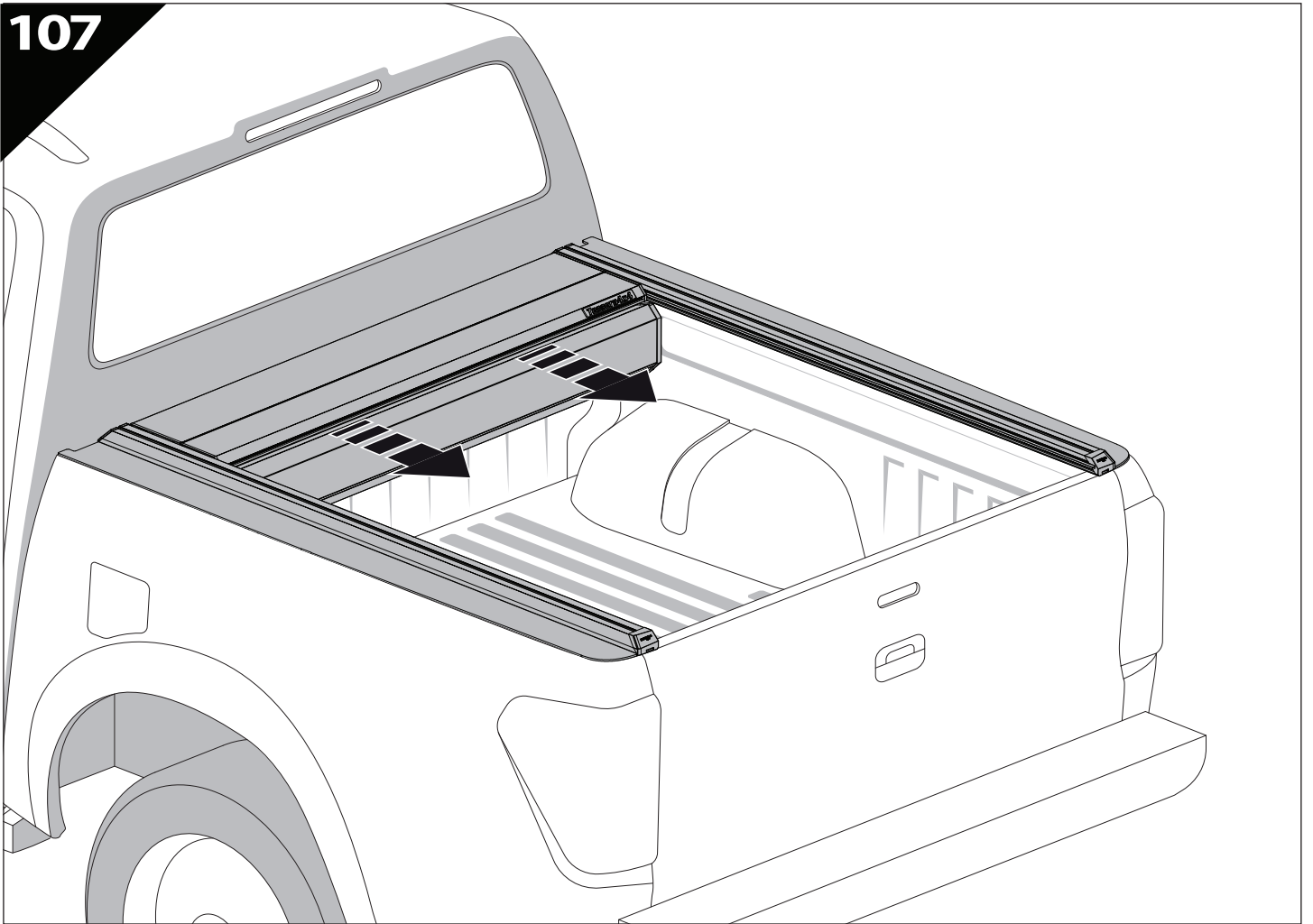


104

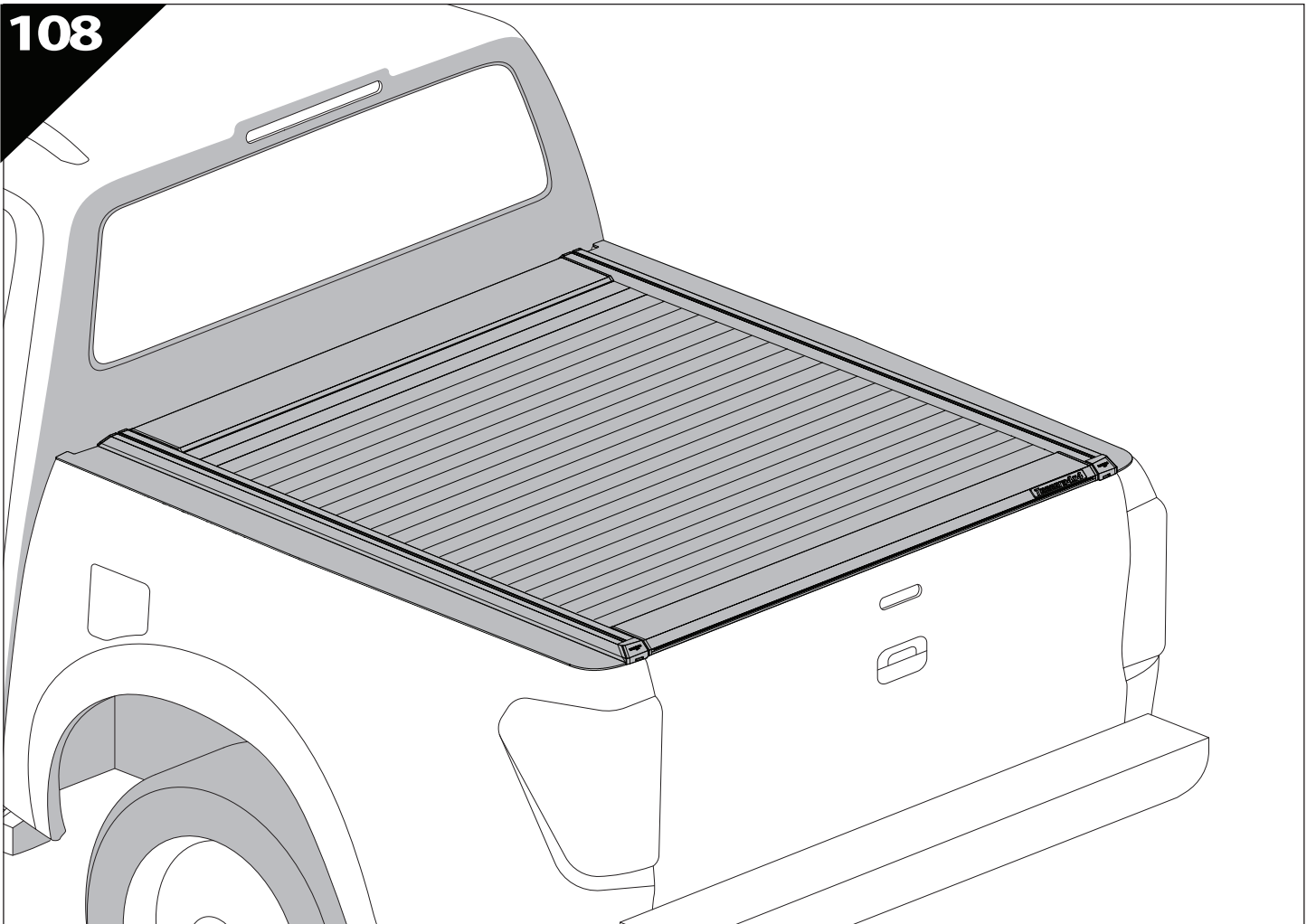




**107**



**108**









**GR:** Οδηγίες Εγκατάστασης  
**GB:** Installation manual  
**SF:** Asennusohje  
**F:** Notice de montage  
**PL:** Instrukcja montażu  
**NL:** Installatie-instructies  
**TR:** Montaj Talimatı  
**S:** Monteringsanvisning  
**E:** Instrucciones de montaje

**H:** Szerelési utasítás  
**P:** Instruções de instalação  
**RUS:** Инструкция по установке  
**N:** Monteringsveiledning  
**D:** Einbauanleitung  
**CZ:** Návod k instalaci  
**I:** Istruzioni de montaggio  
**DK:** Monteringsvejledning  
**RO:** Instructiuni de instalare

Customer Service:

+30 (210) 5541161, +30 (210) 5541154 (08:00 - 16:00 EET)

Support department:

[info@gianso.gr](mailto:info@gianso.gr)

Website:

[www.tessera4x4.com](http://www.tessera4x4.com)

Address:

19.5 km of National road Athens-Korinthos (Elefsina) Greece, P.C: 19200