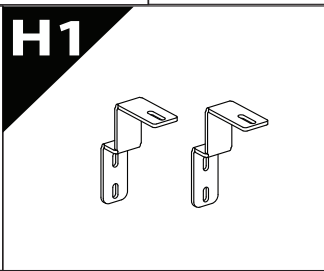
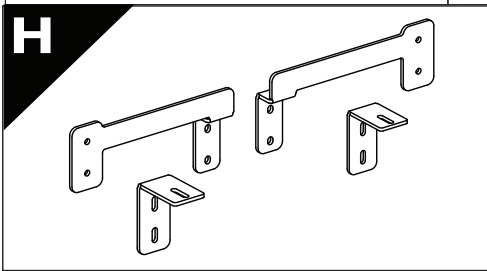
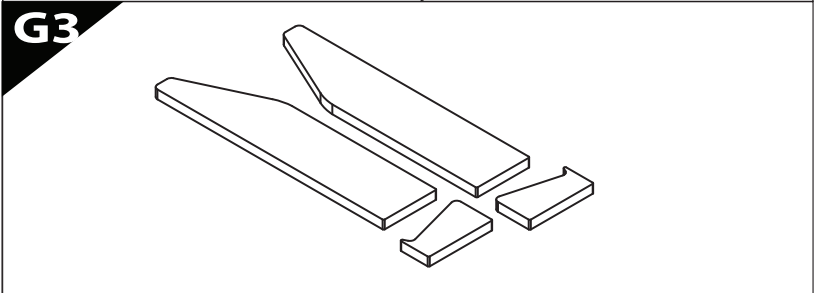
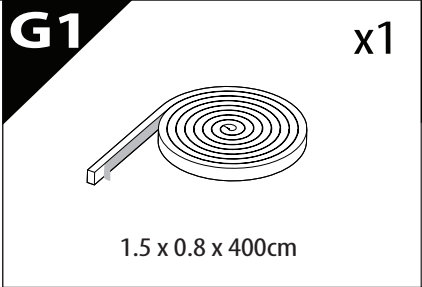
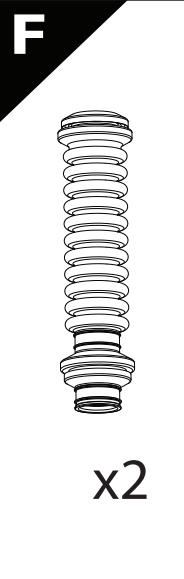
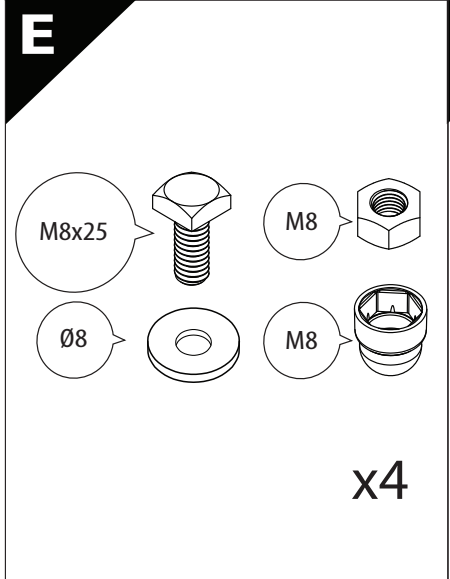
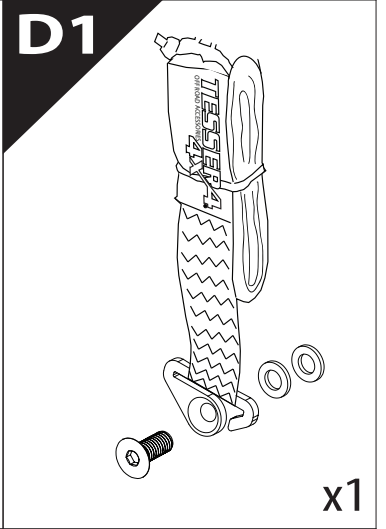
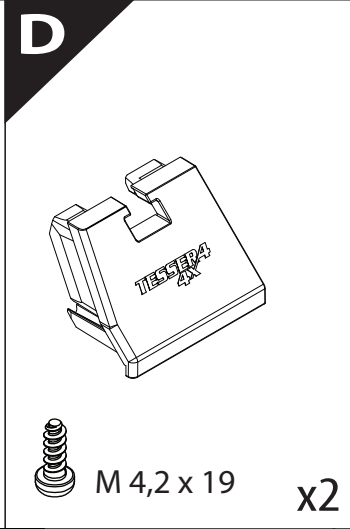
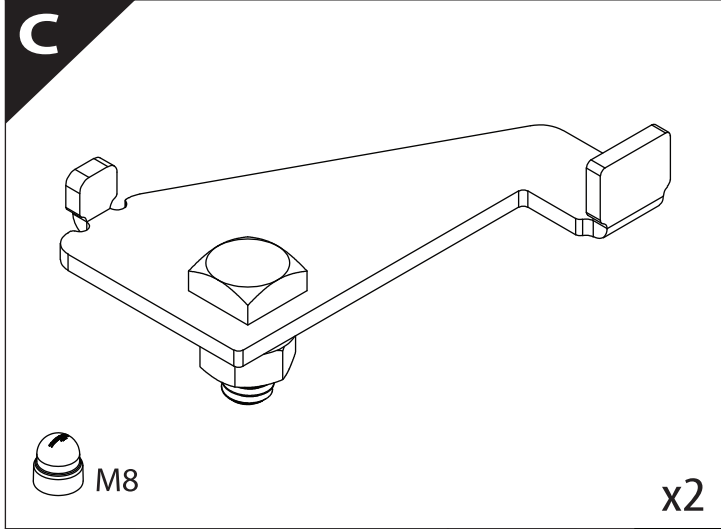
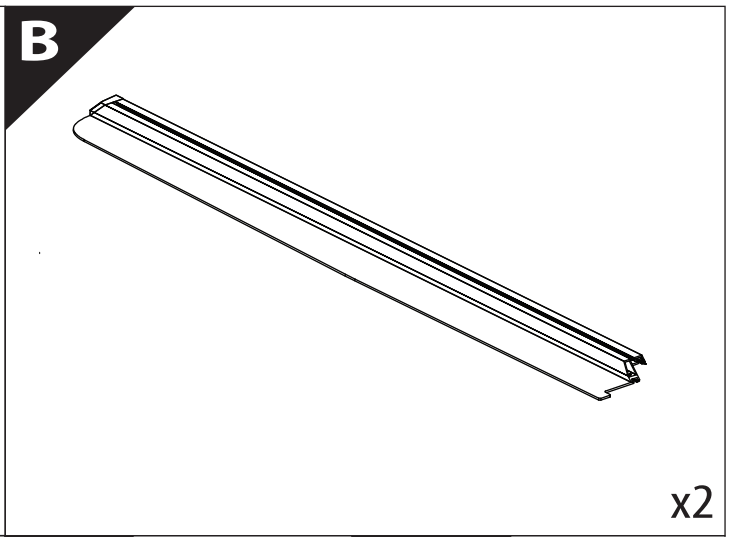
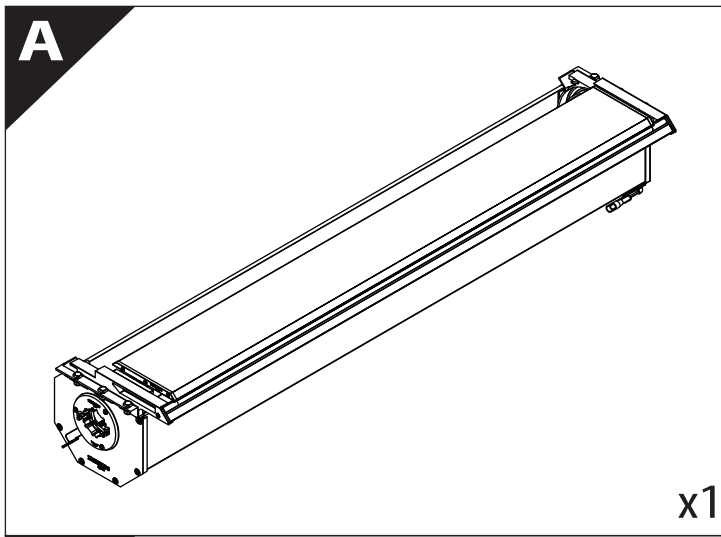
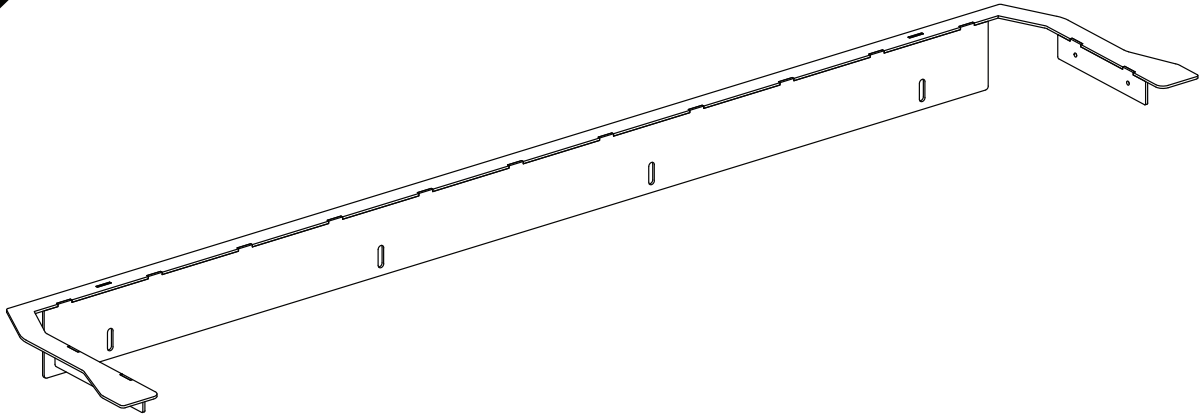
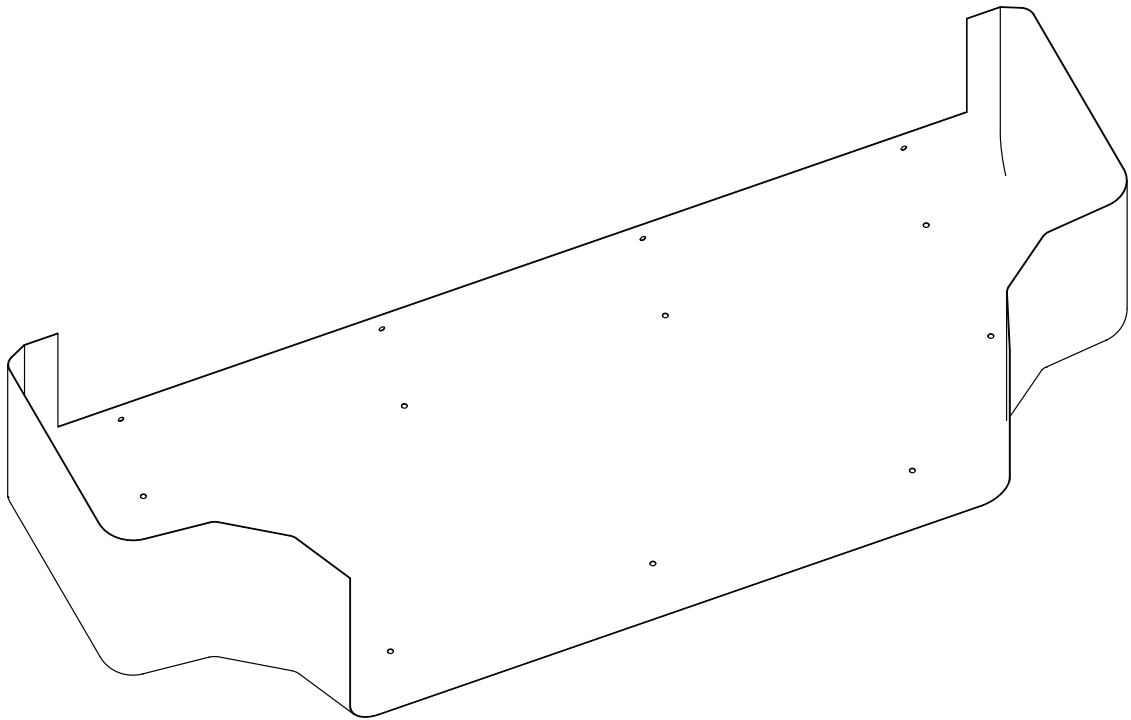
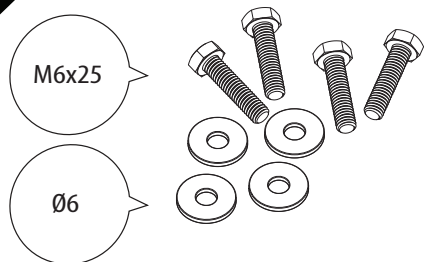
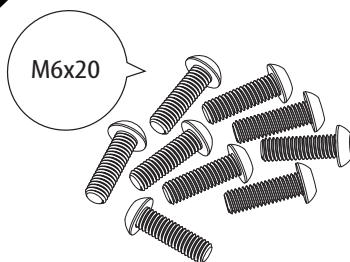
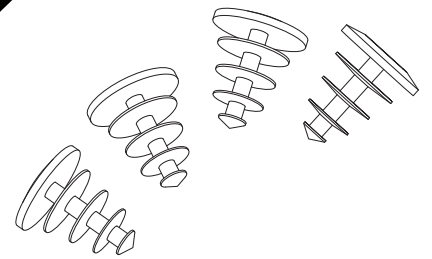
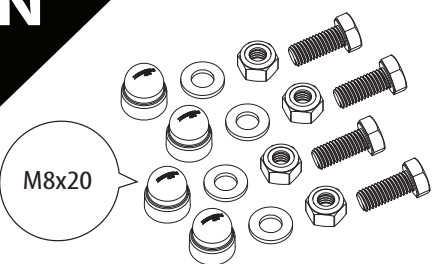


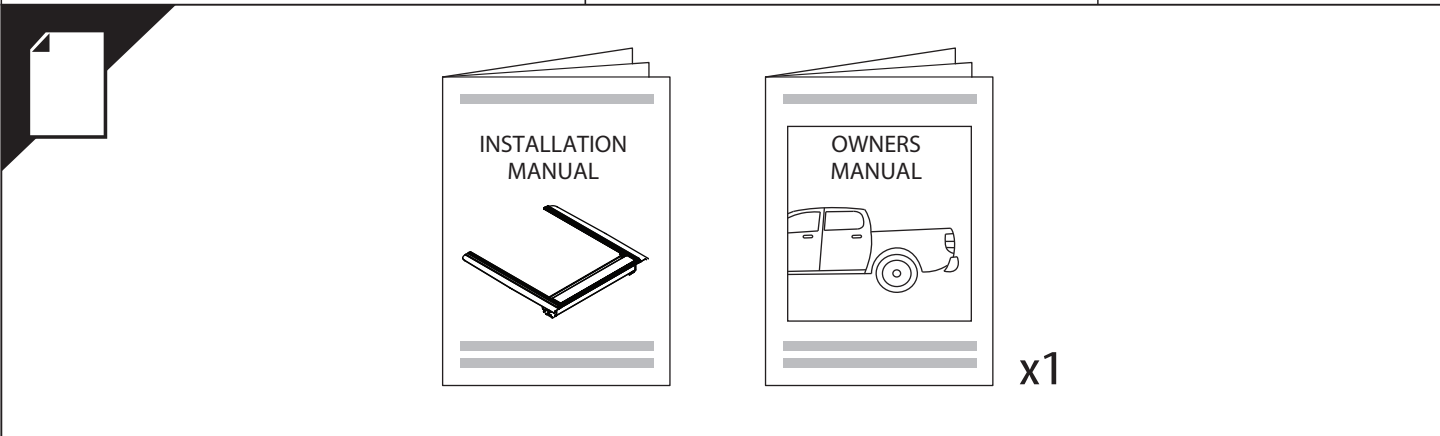
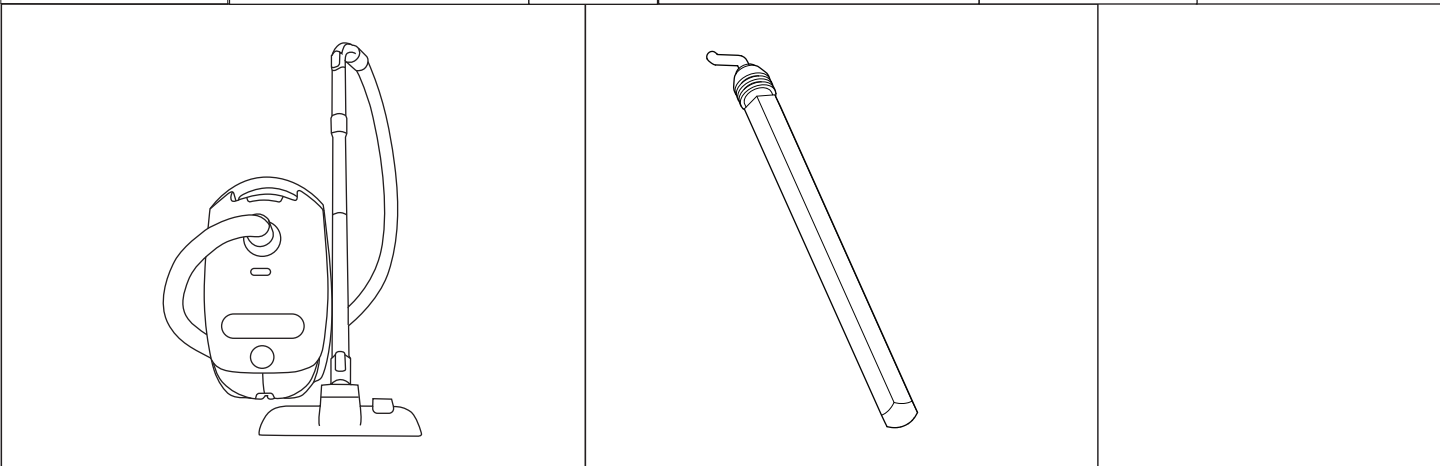
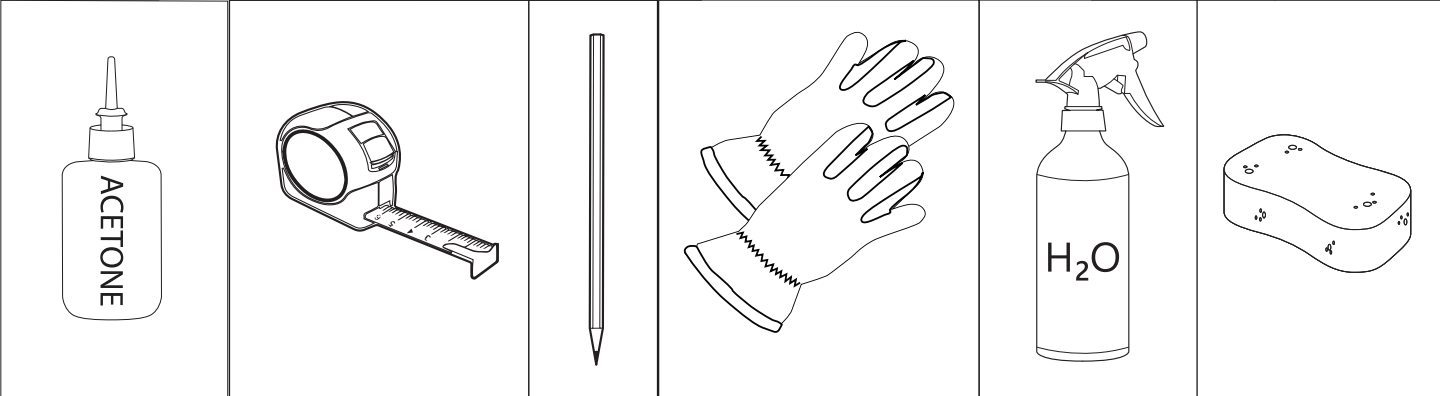
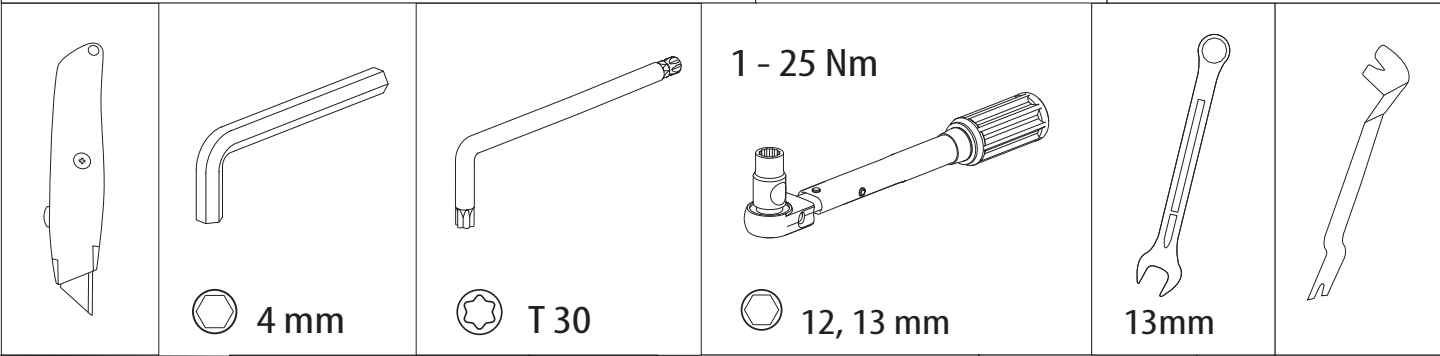
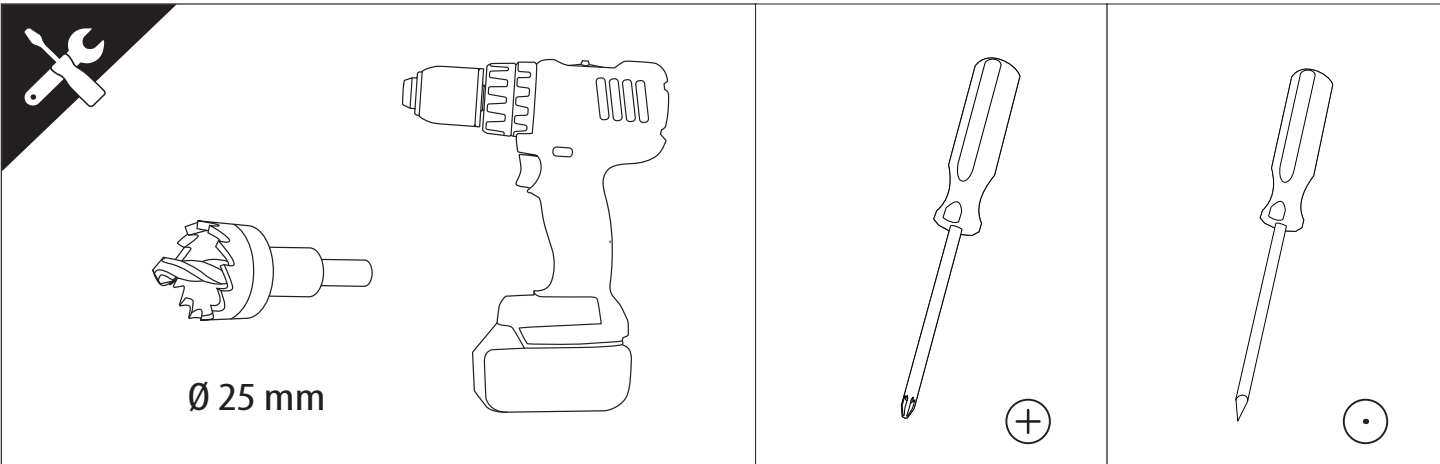


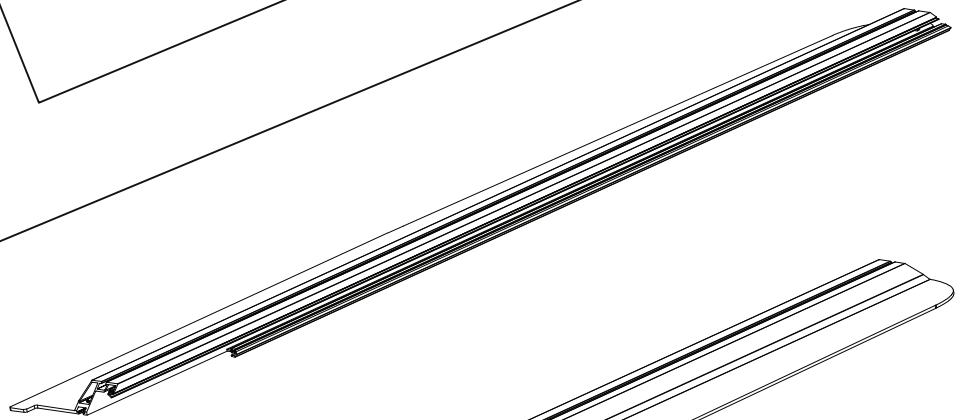
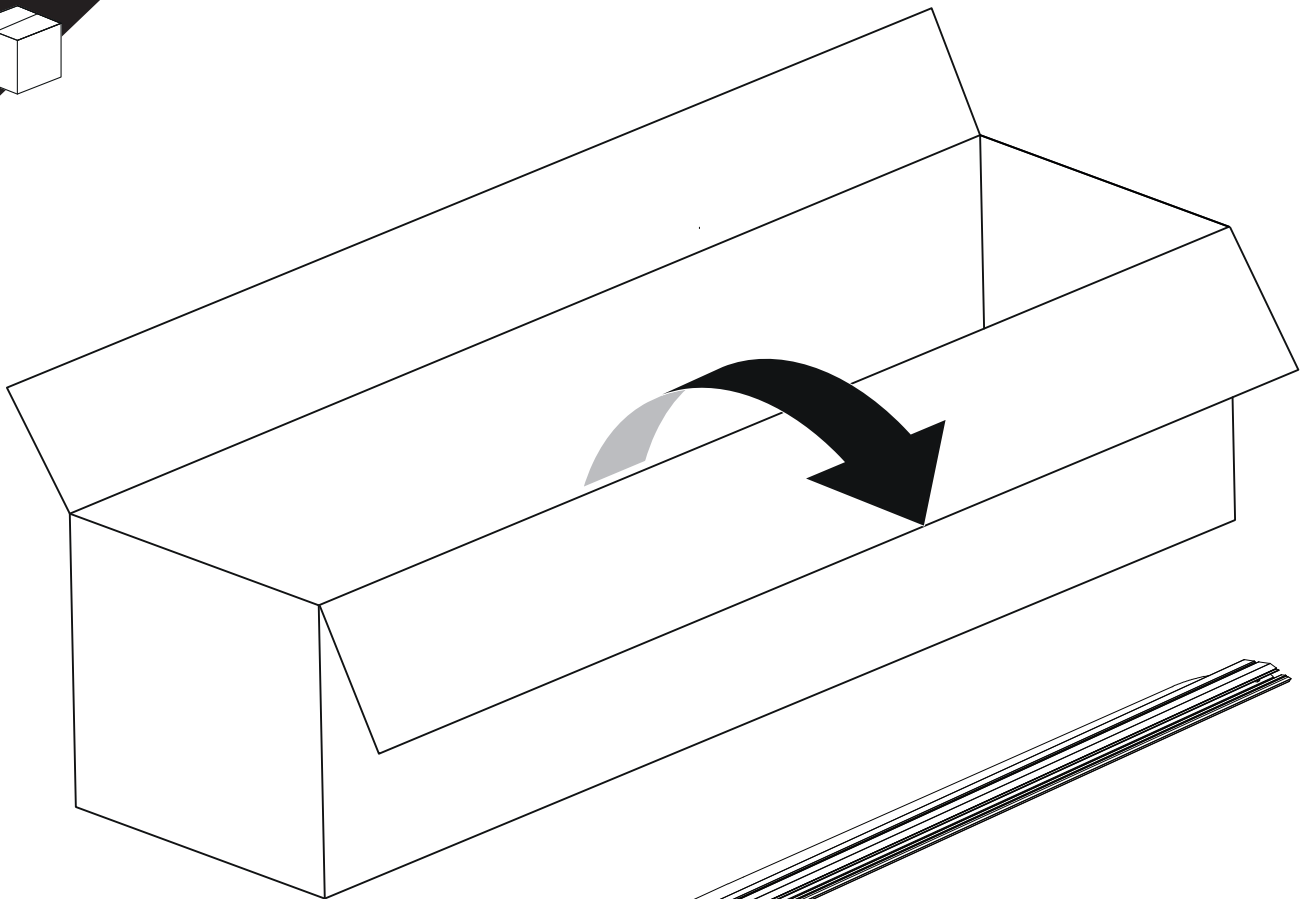
Installation Manual

PART NUMBER(S)	Model Year
TESS 1554 SE	KGM MUSSO EV
Cab(s)	Installation Time / Weight
Double Cab & Space cab	60-90 minutes / 53-57 kg

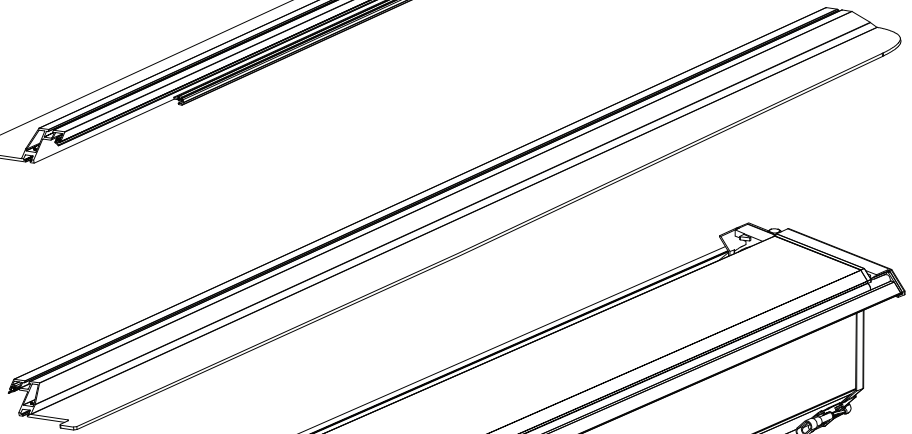


I**x1****J****x1****K****L****M****N**

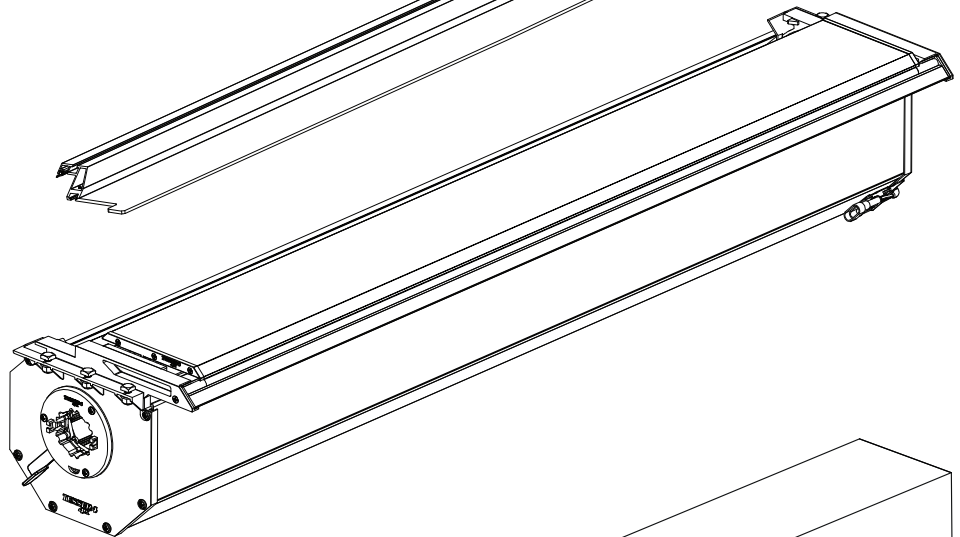




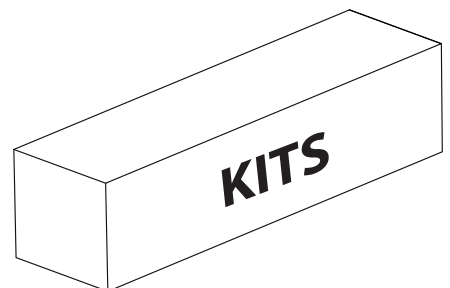
B



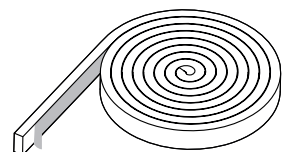
A

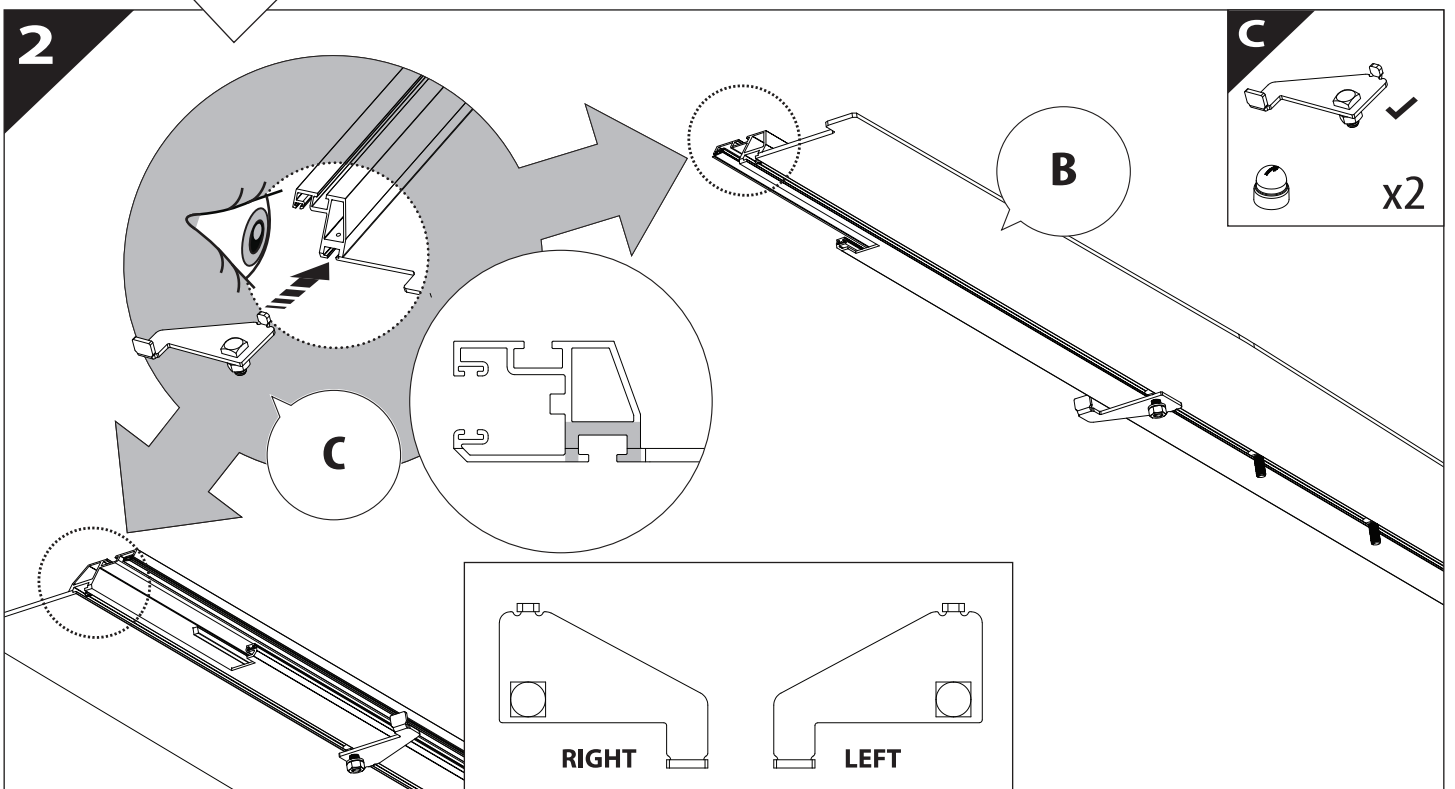
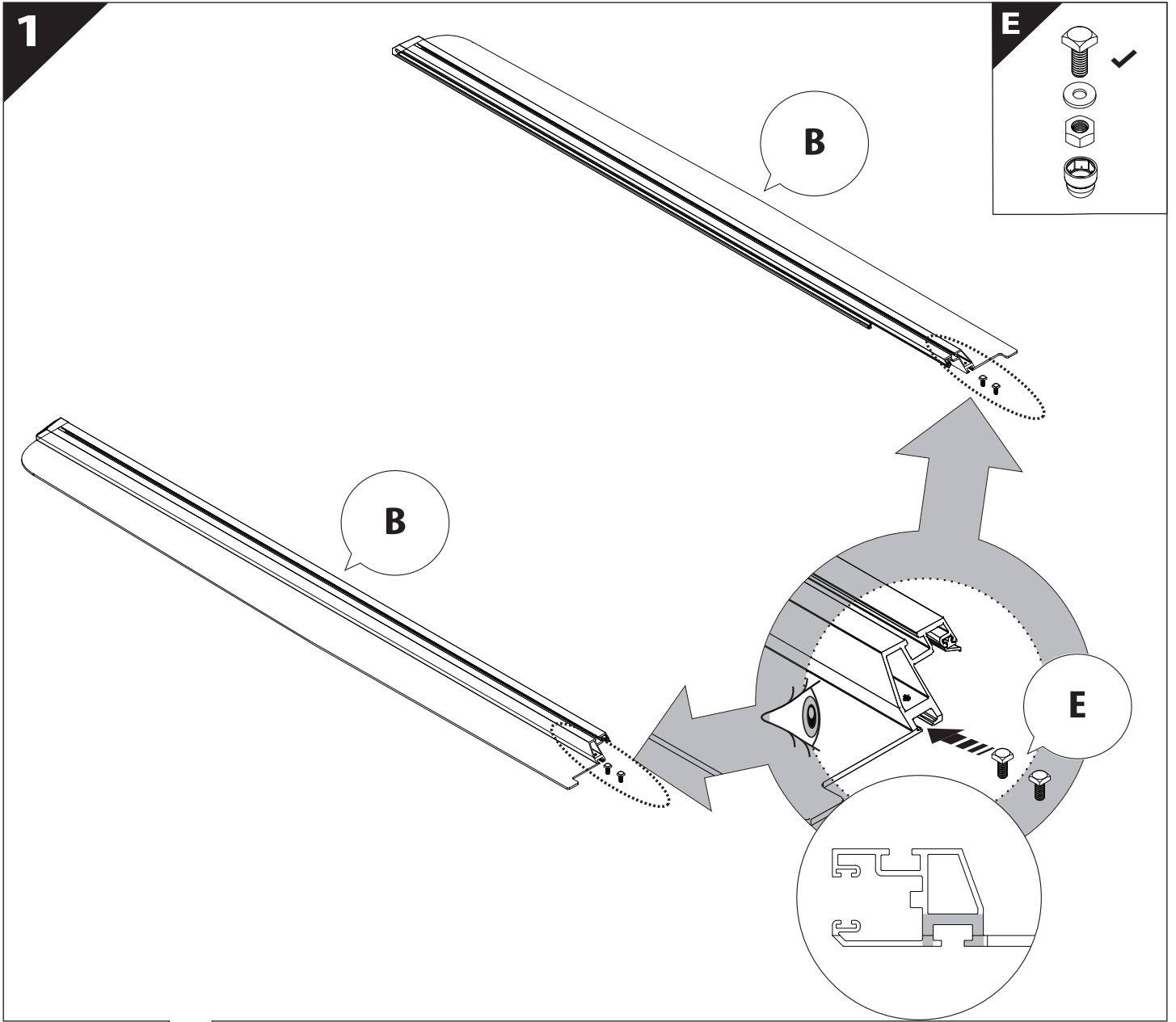


KITS

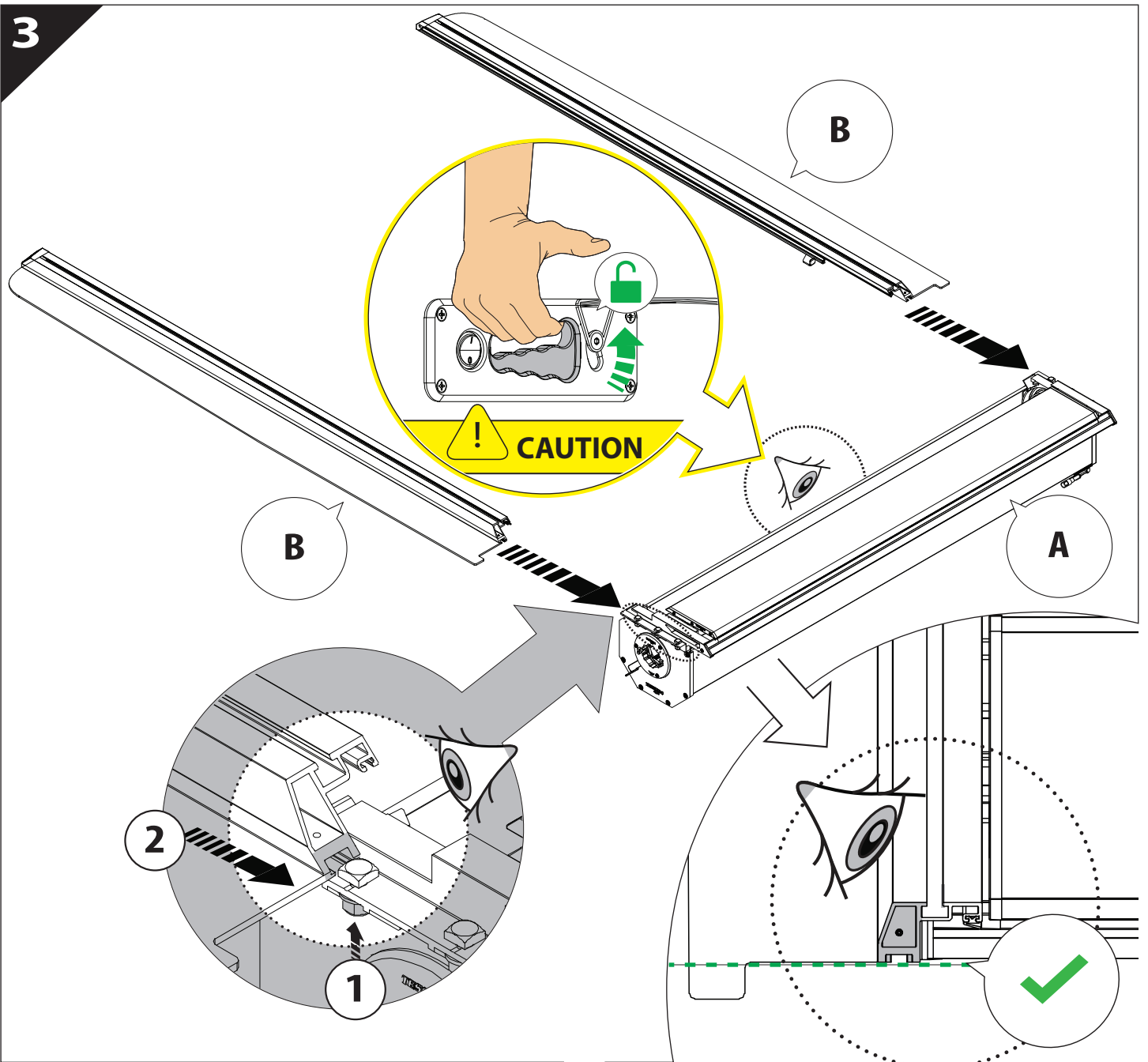


G

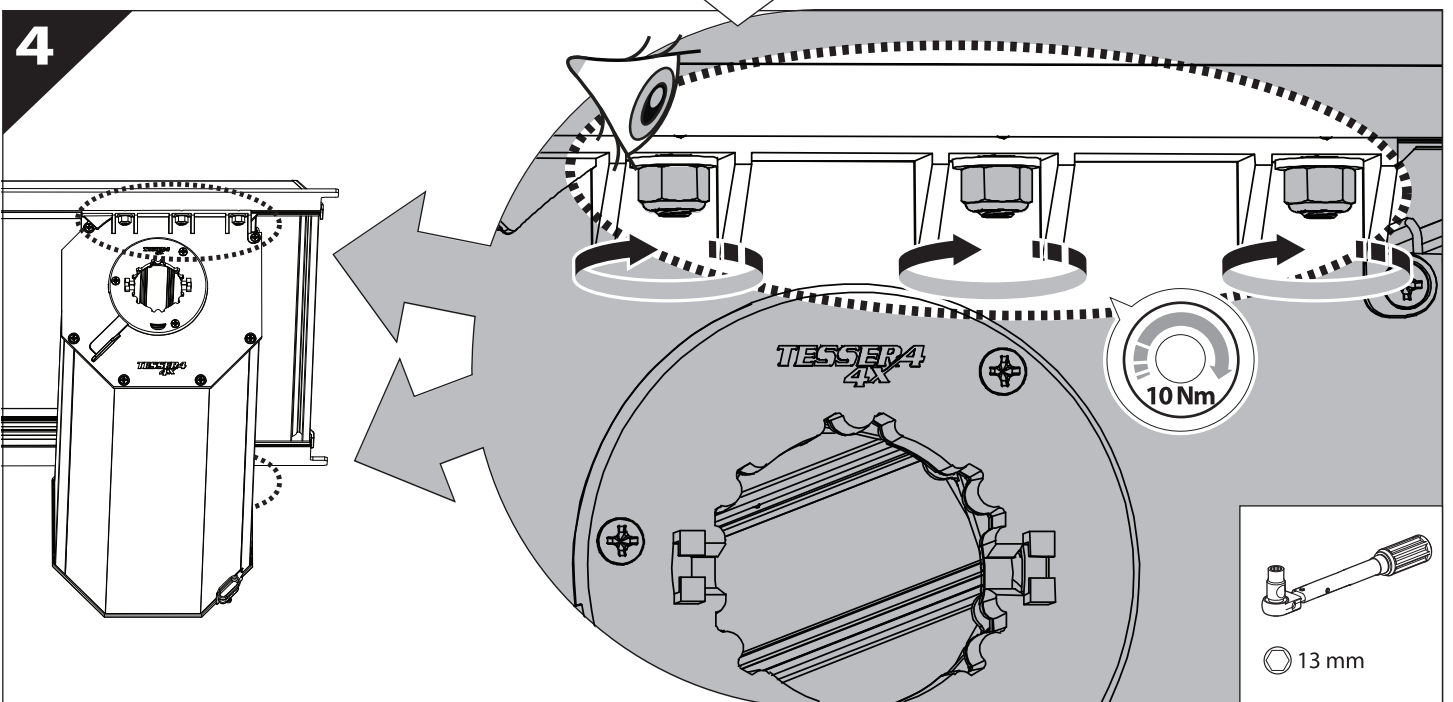


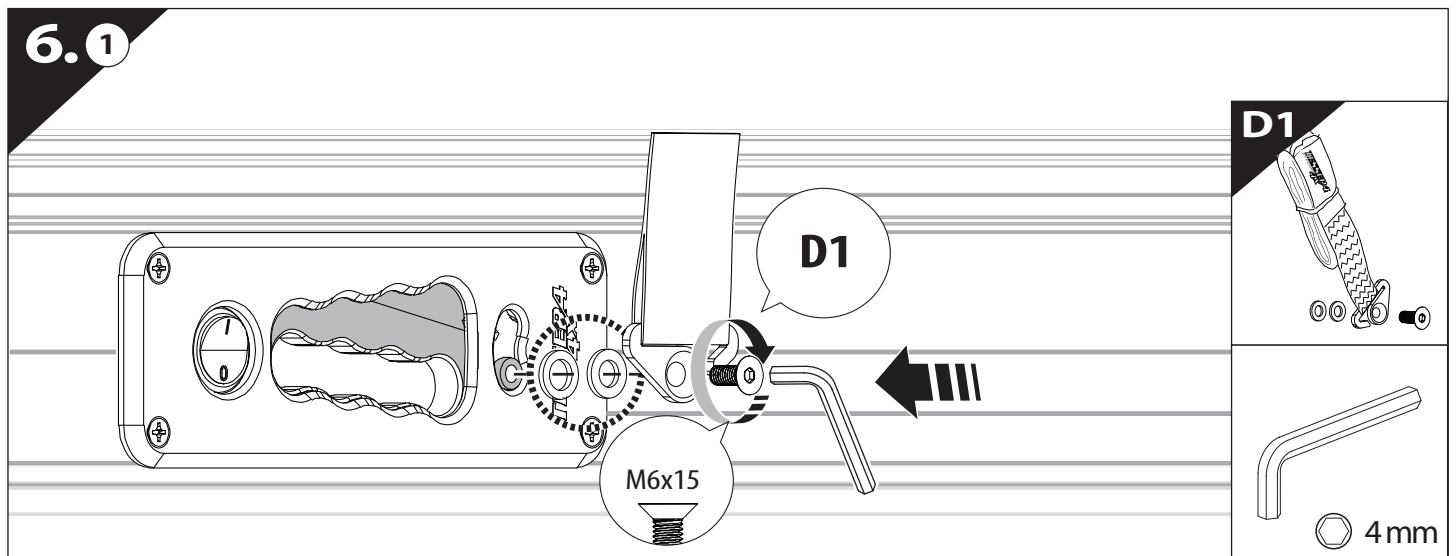
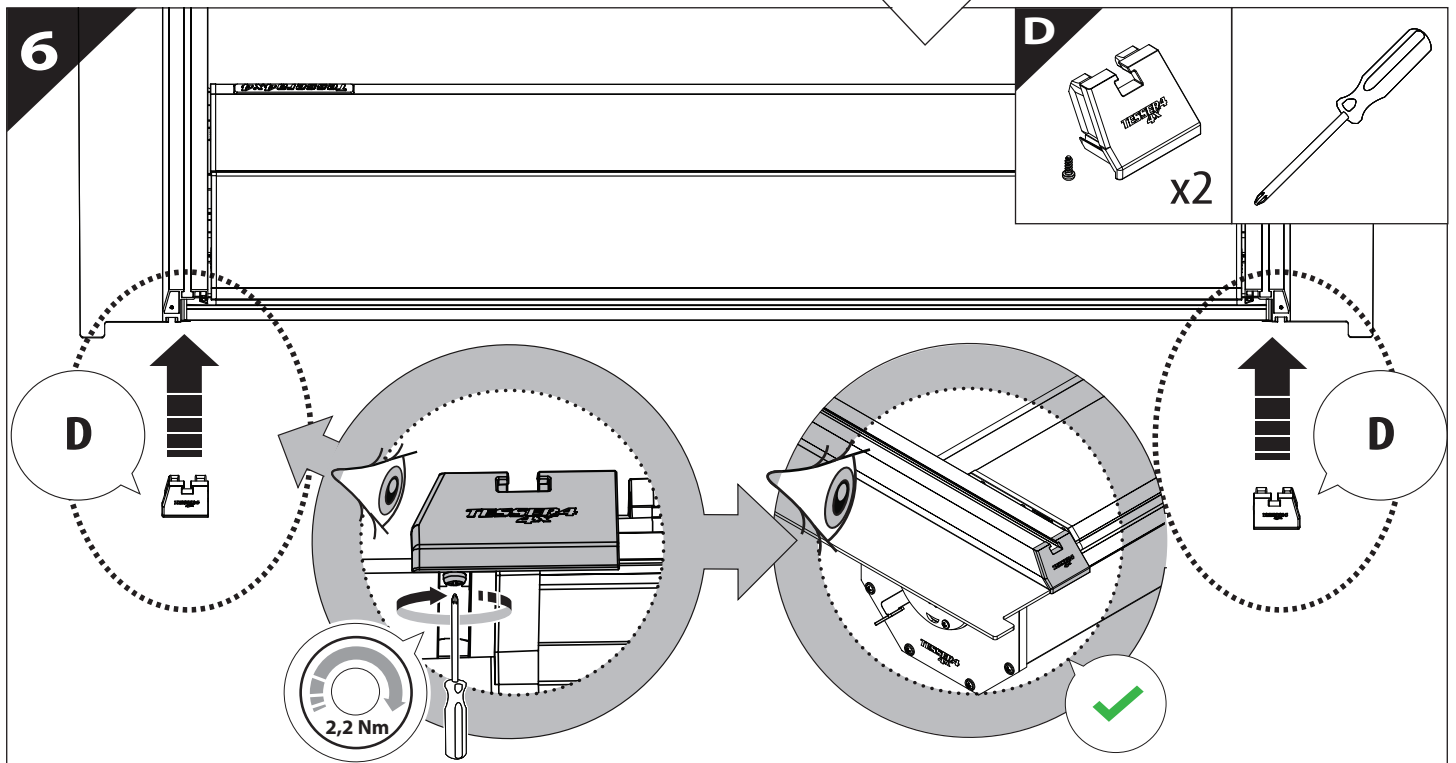
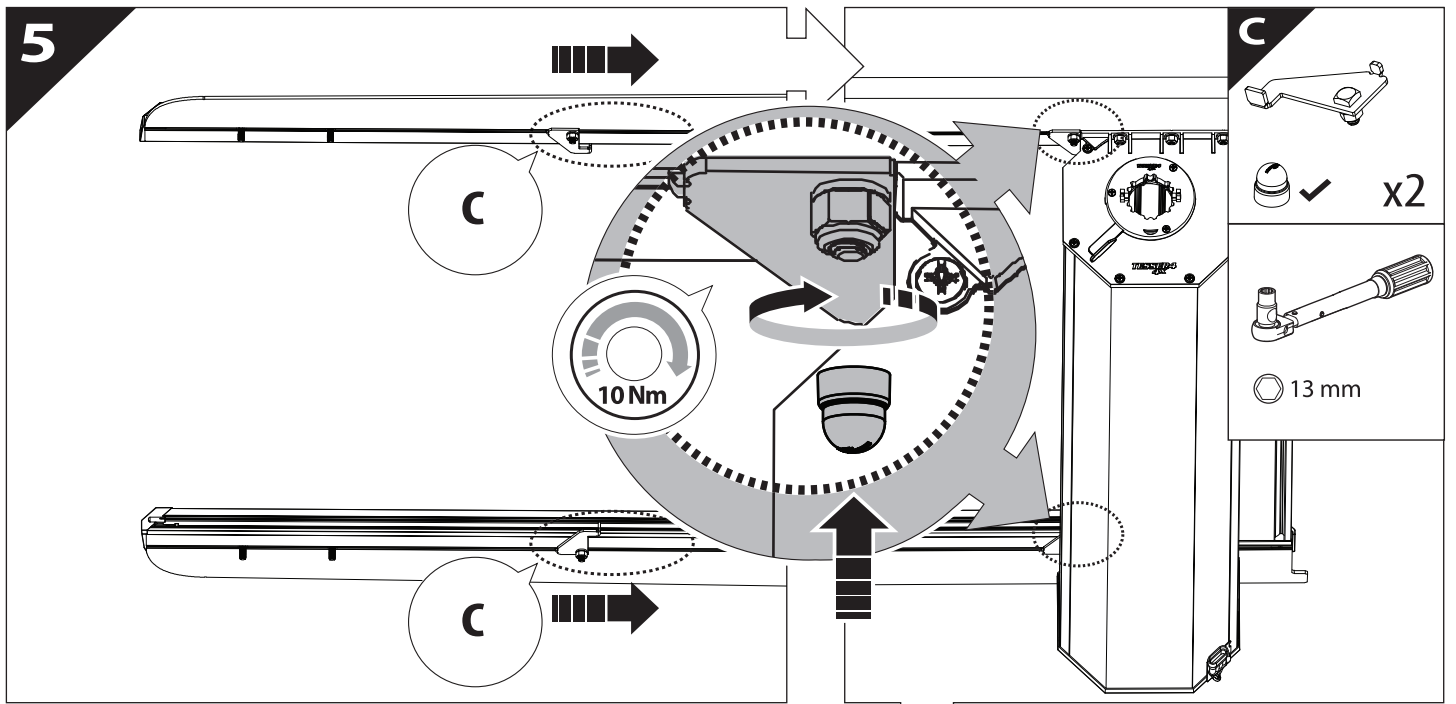


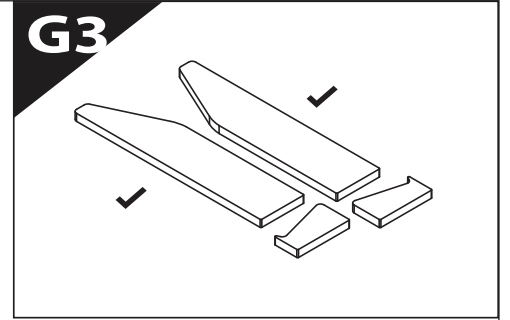
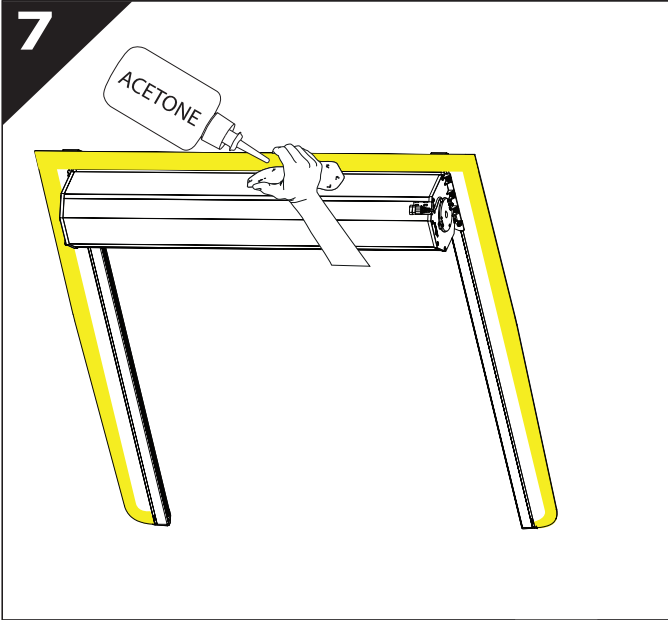
3



4





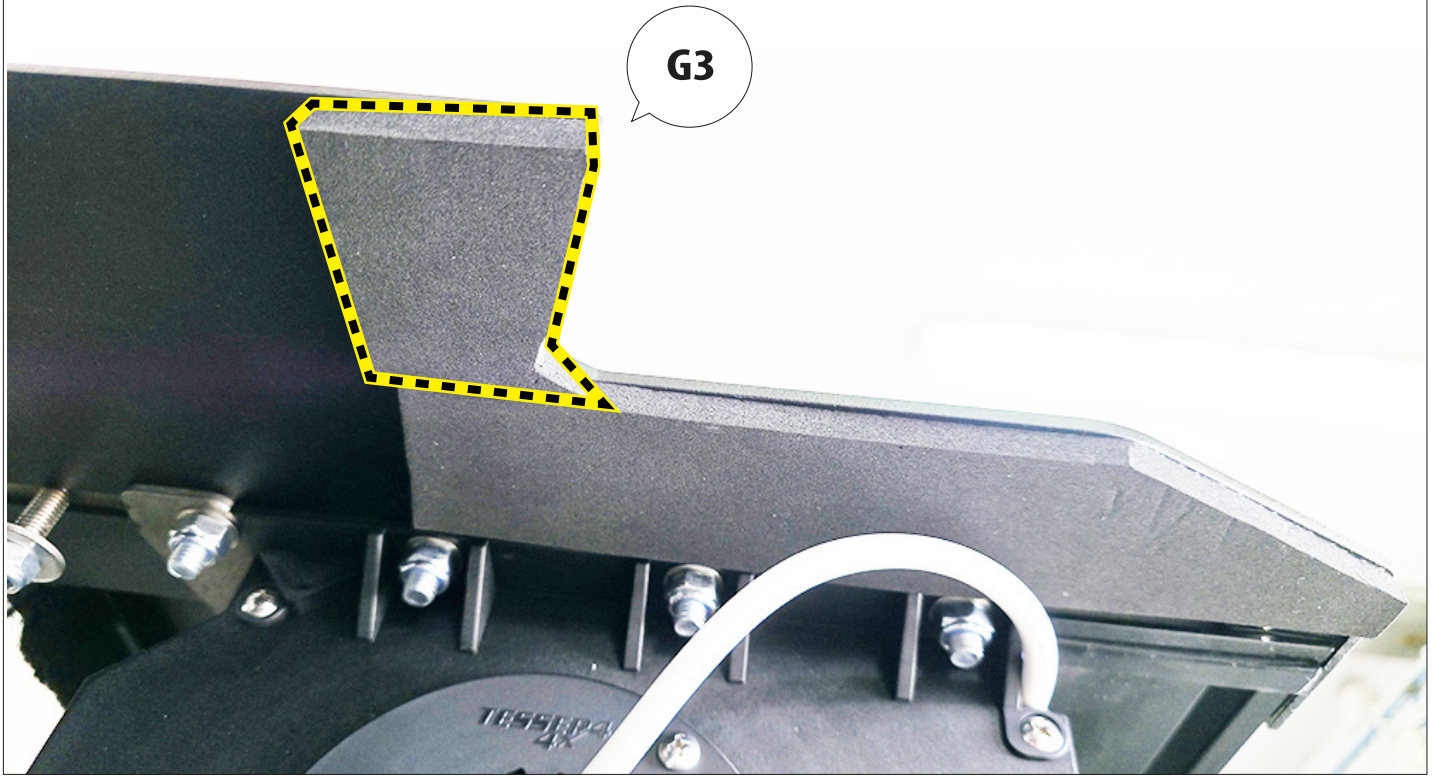
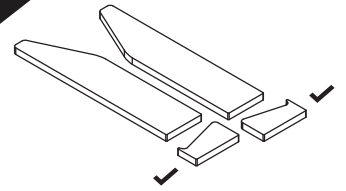


G3



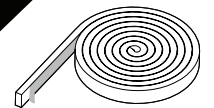
8

G3

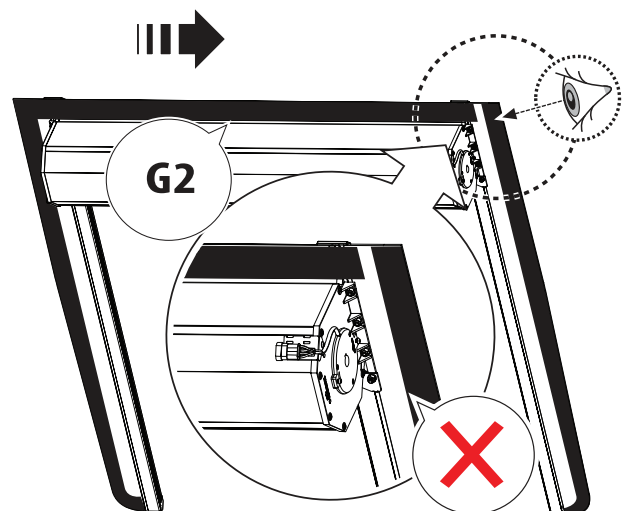
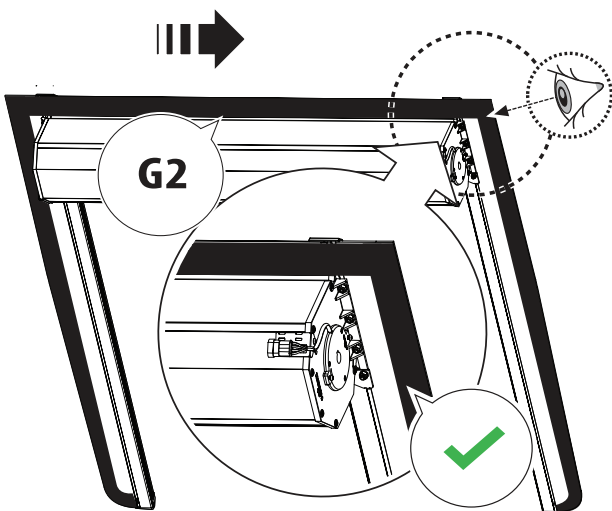


8.1

G2

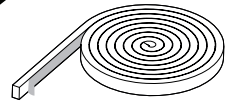


5 x 0.8 x 167cm

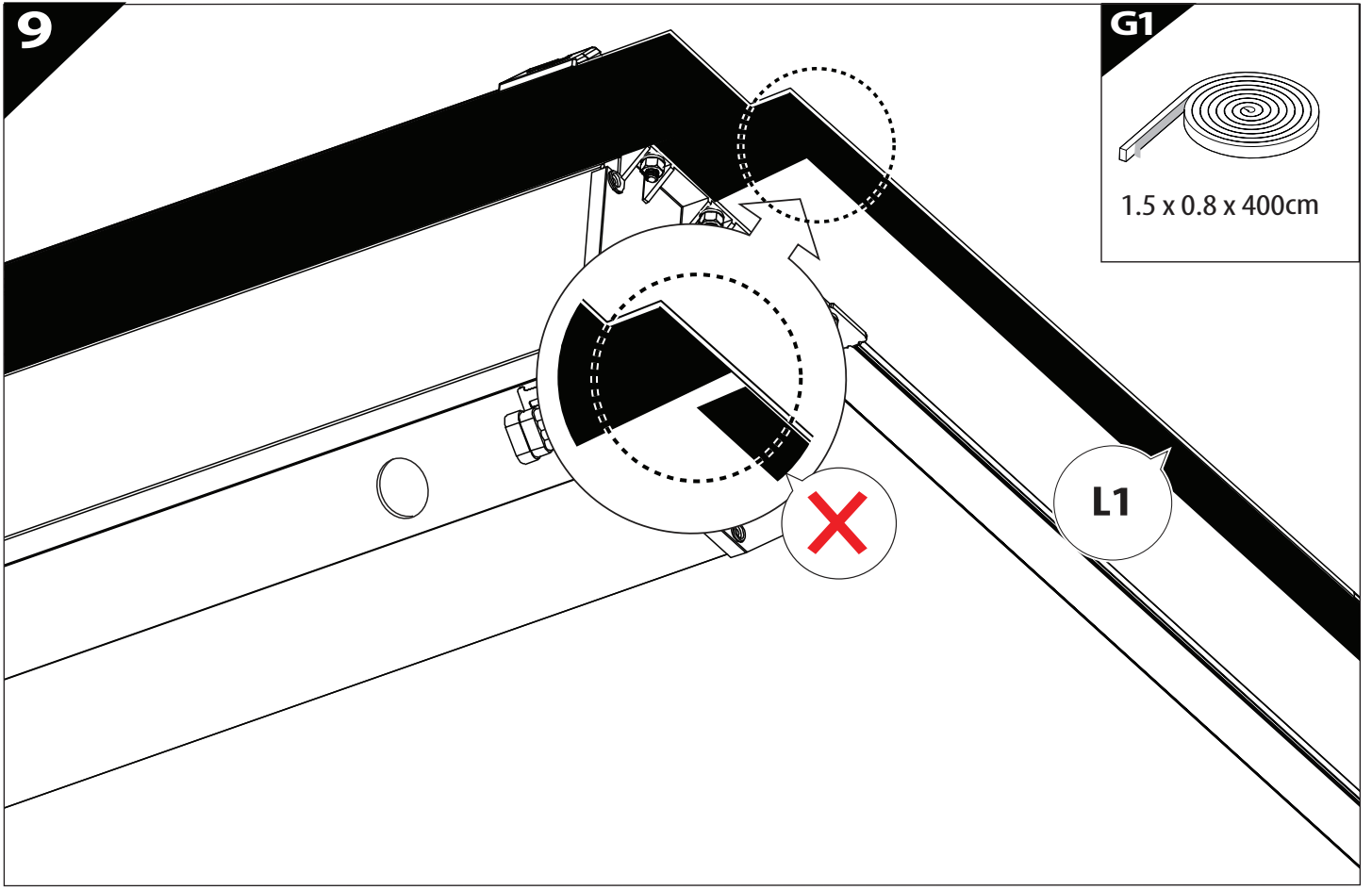


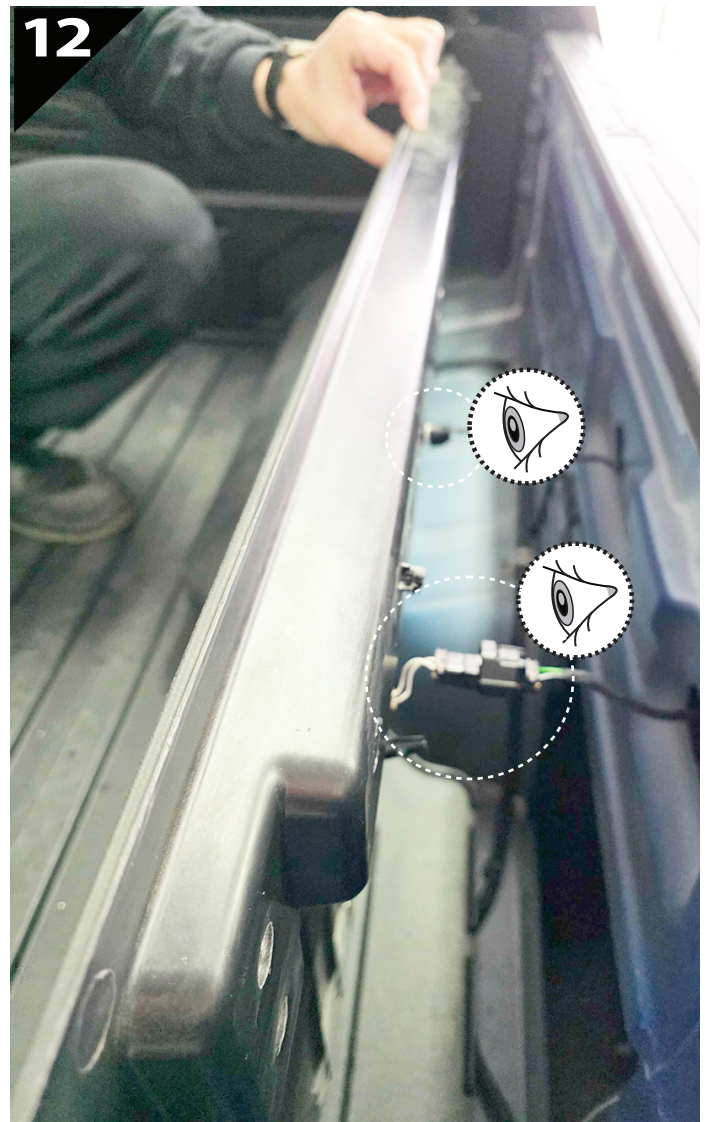
9

G1



1.5 x 0.8 x 400cm





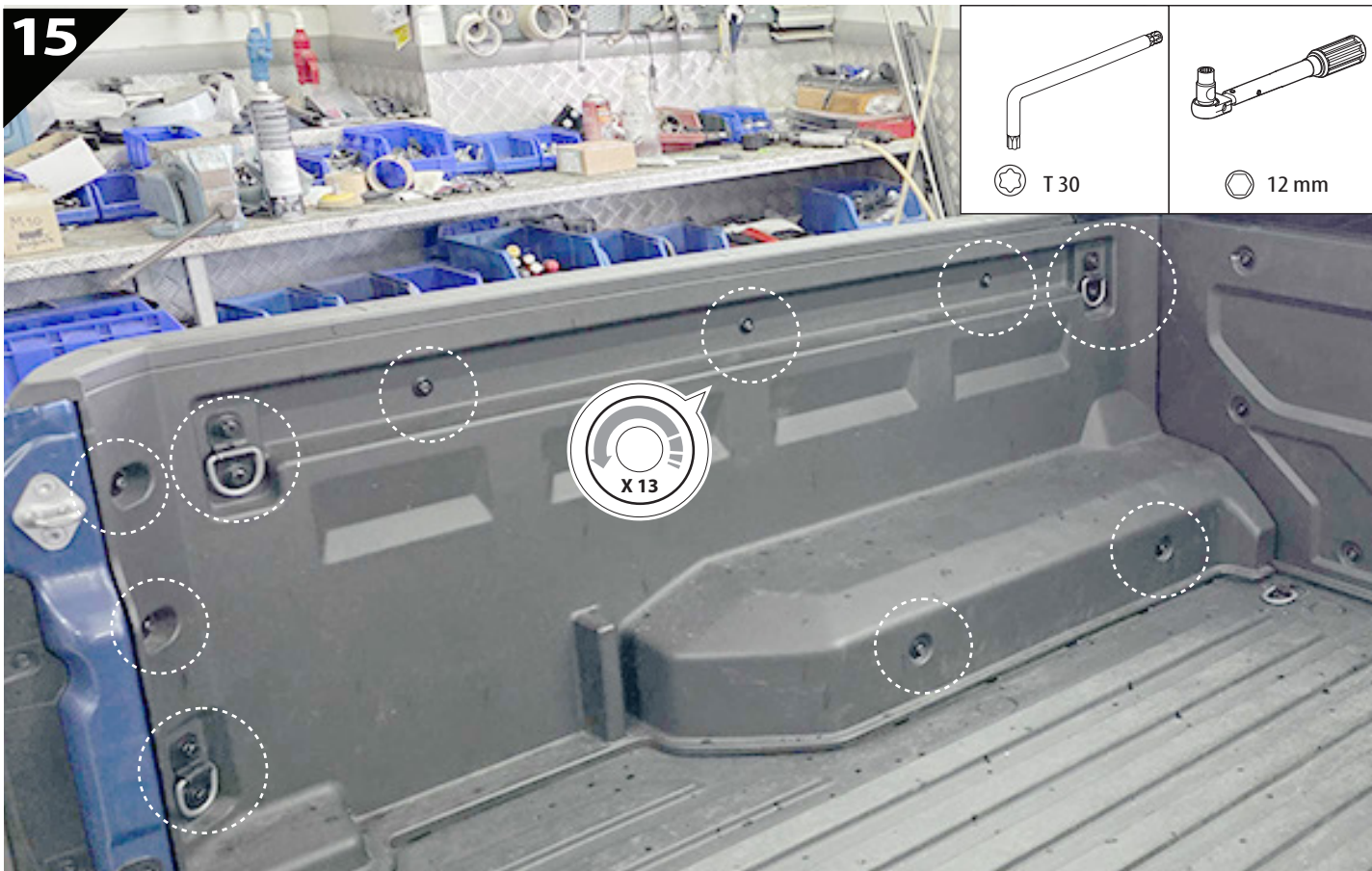
13



14



15



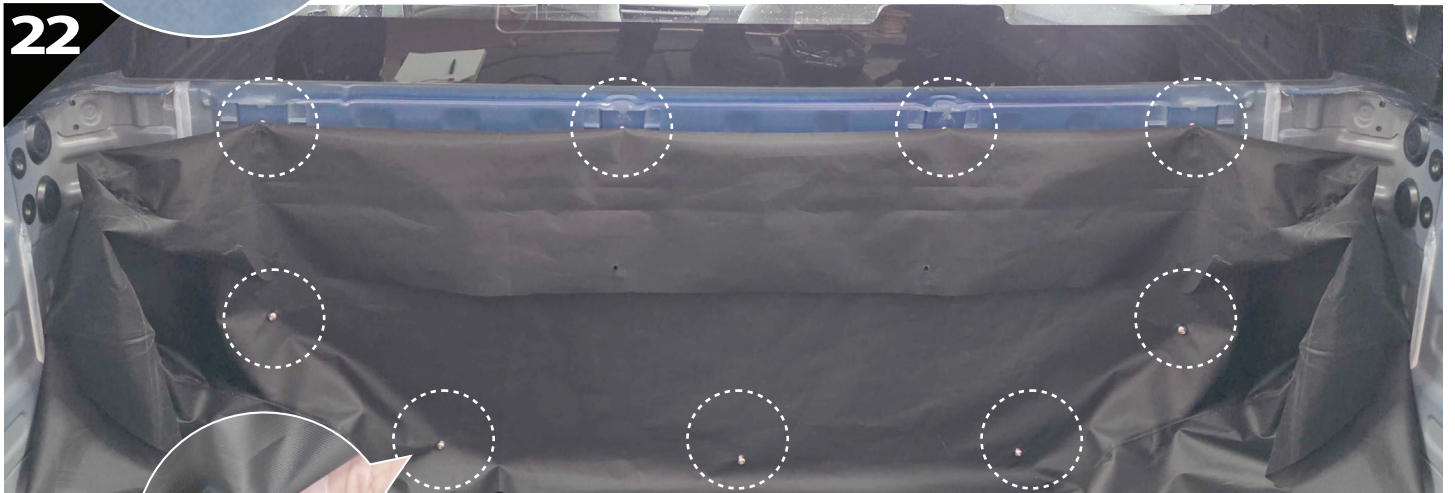
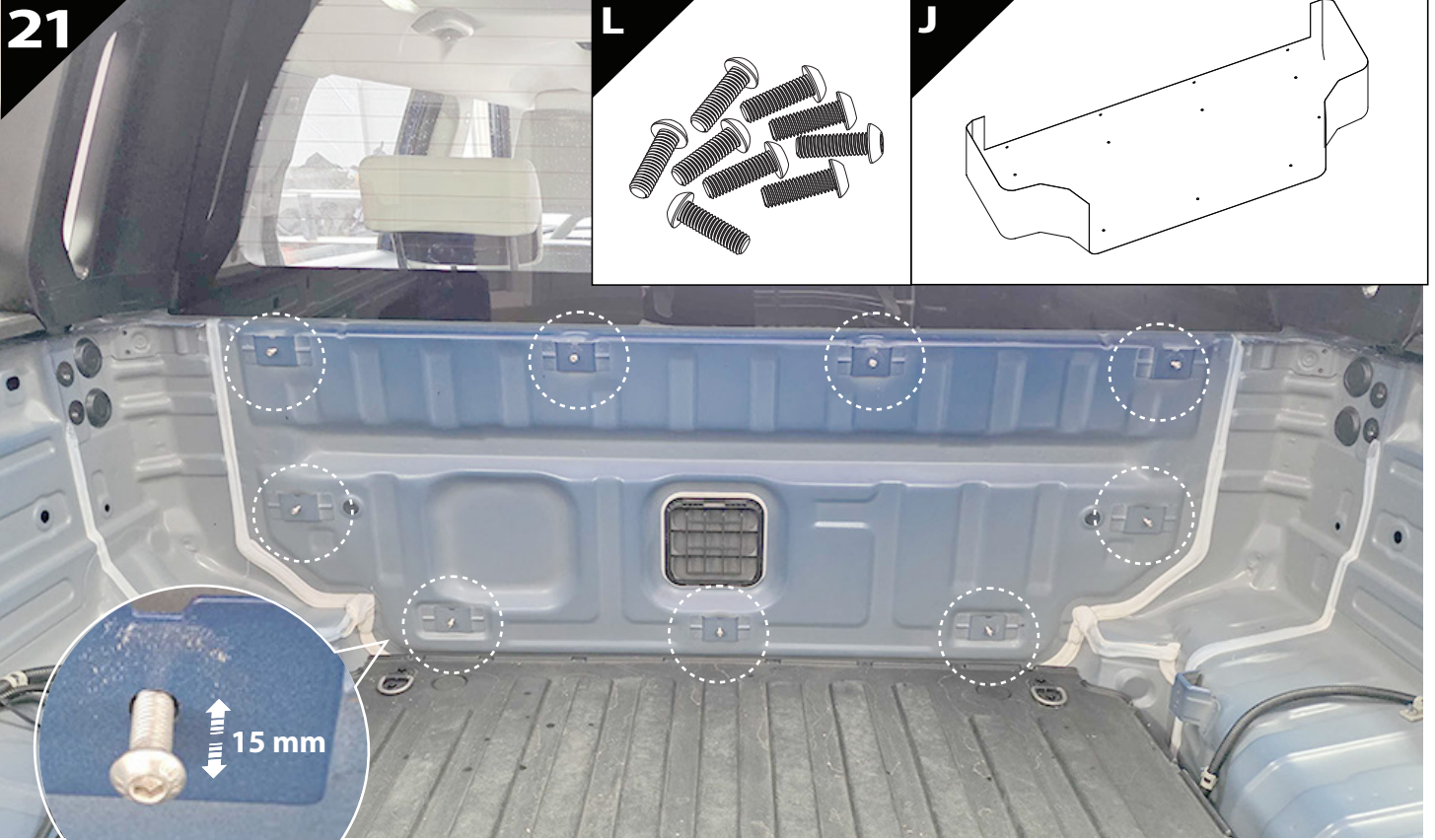
16

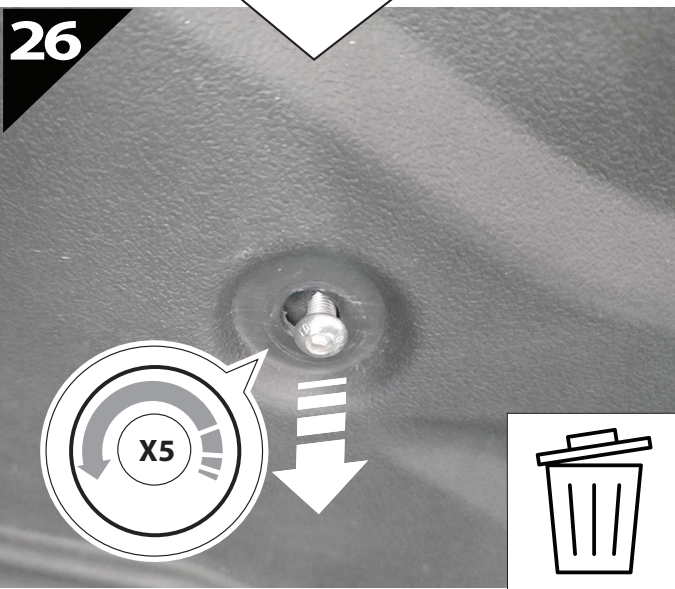


17





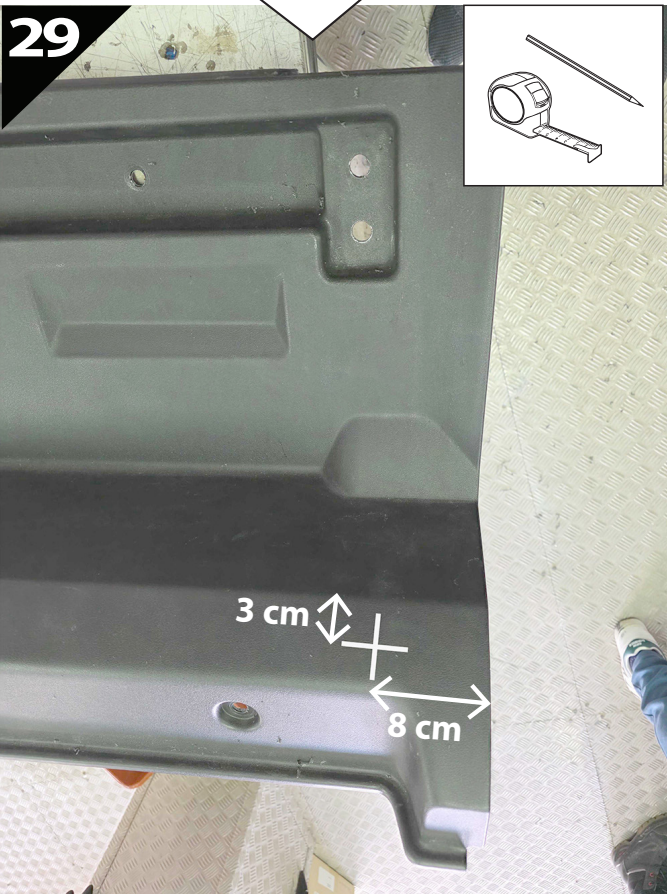




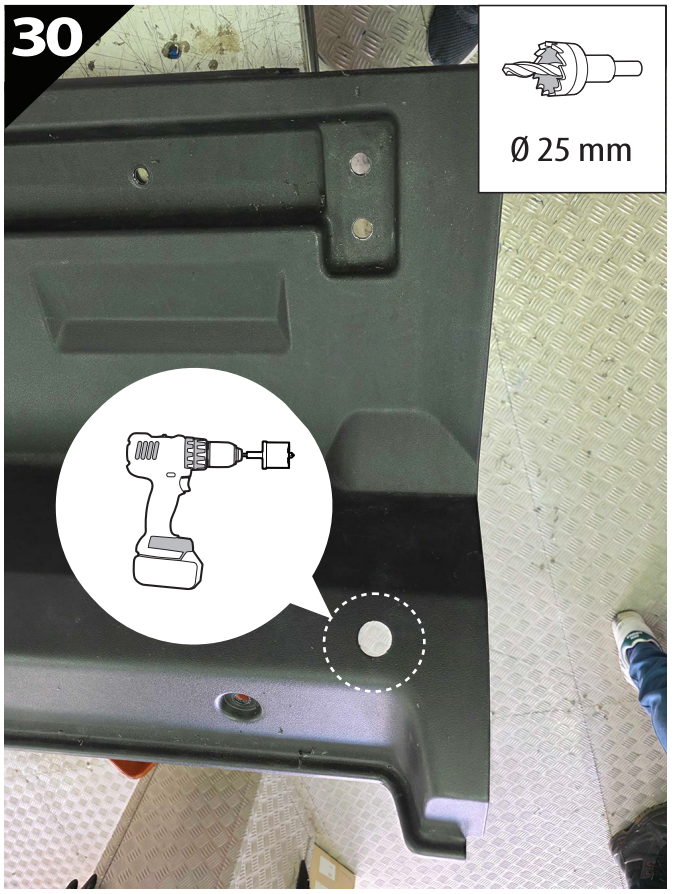
28



29



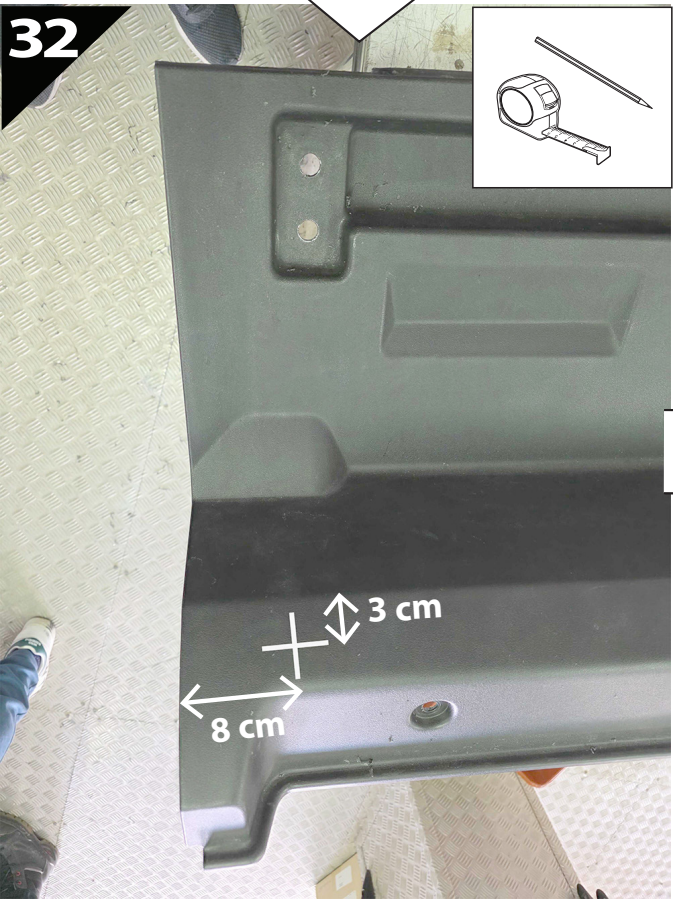
30



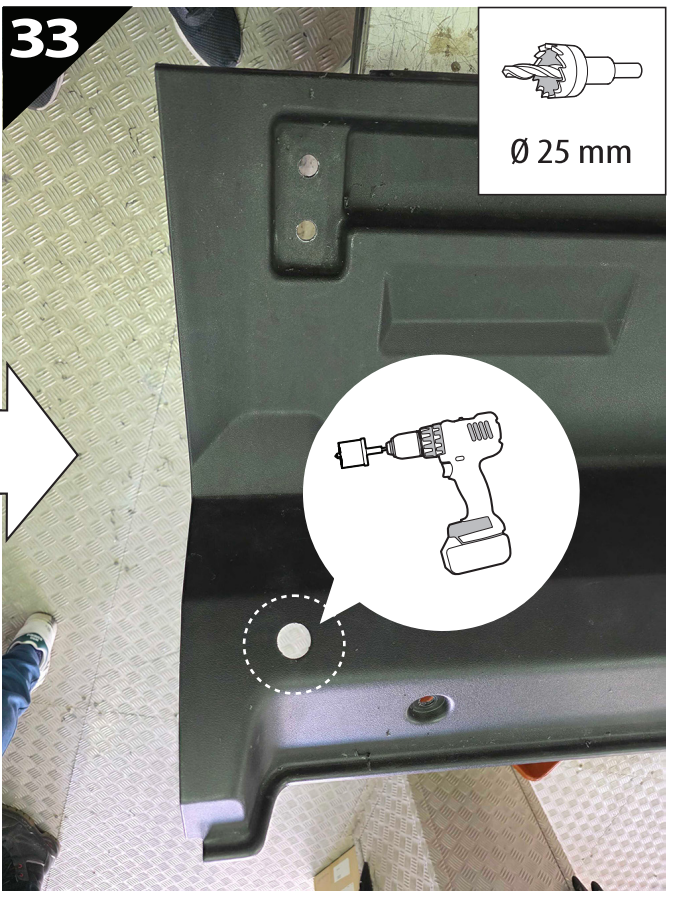
31



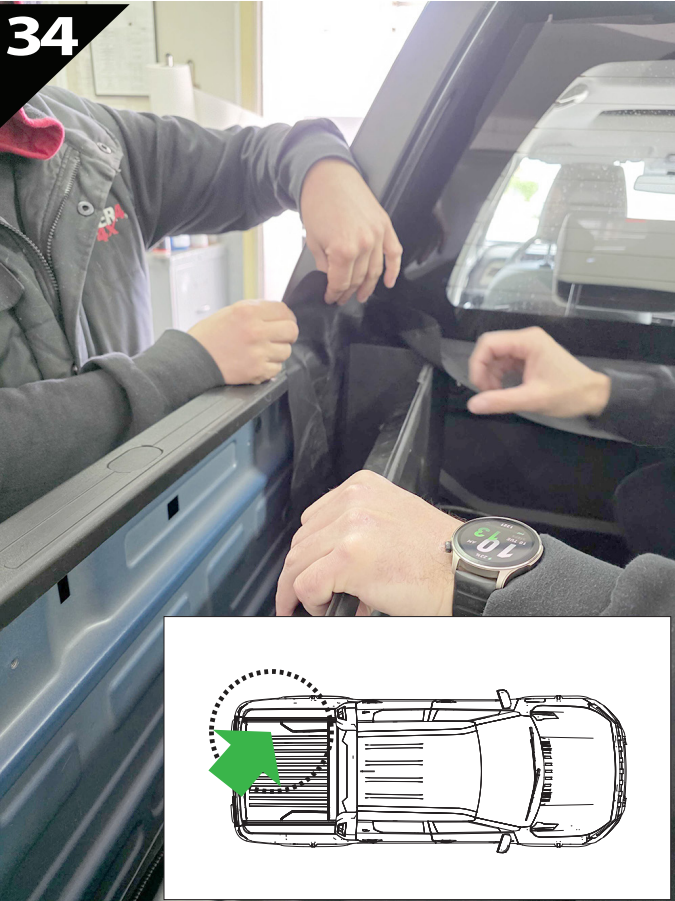
32



33



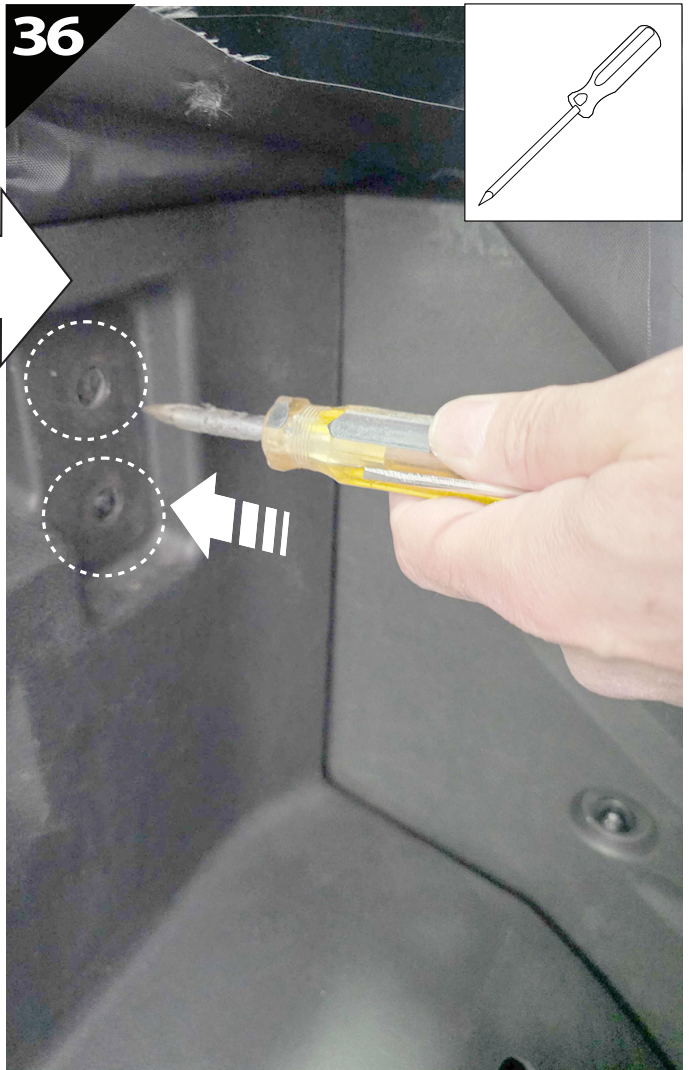
34



35



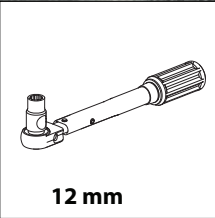
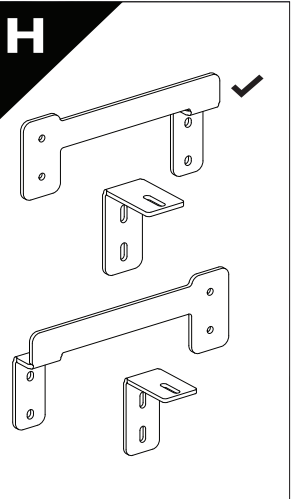
36



37



H

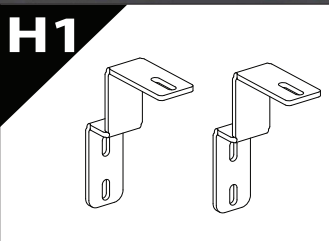


12 mm

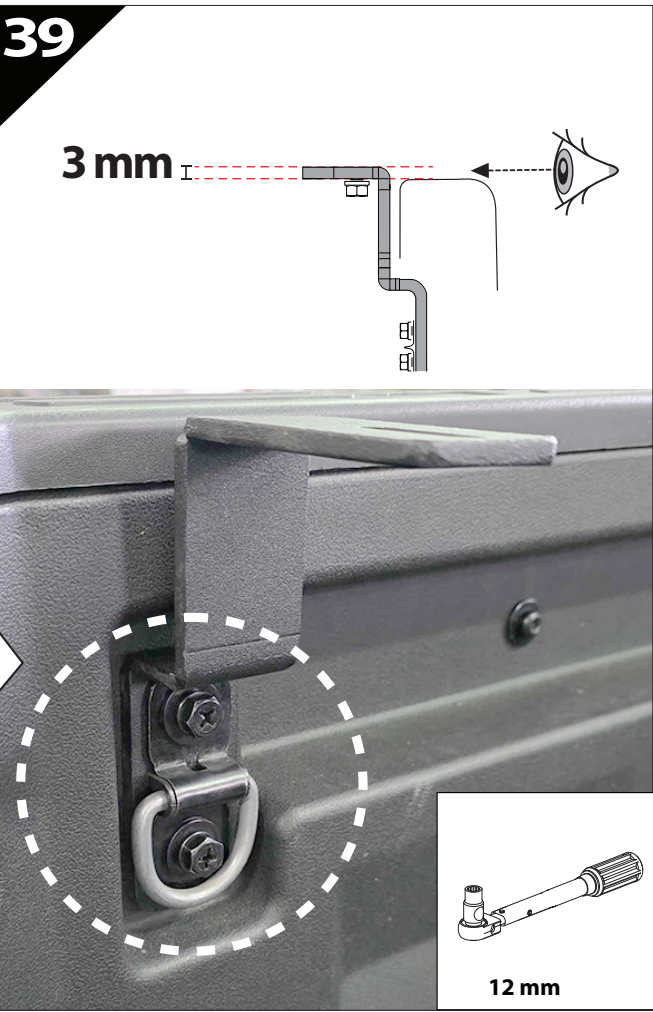
38



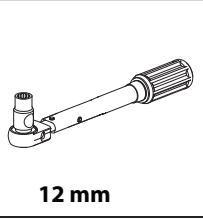
H1



39

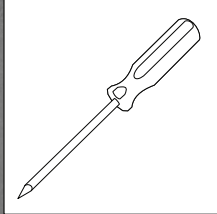


3 mm

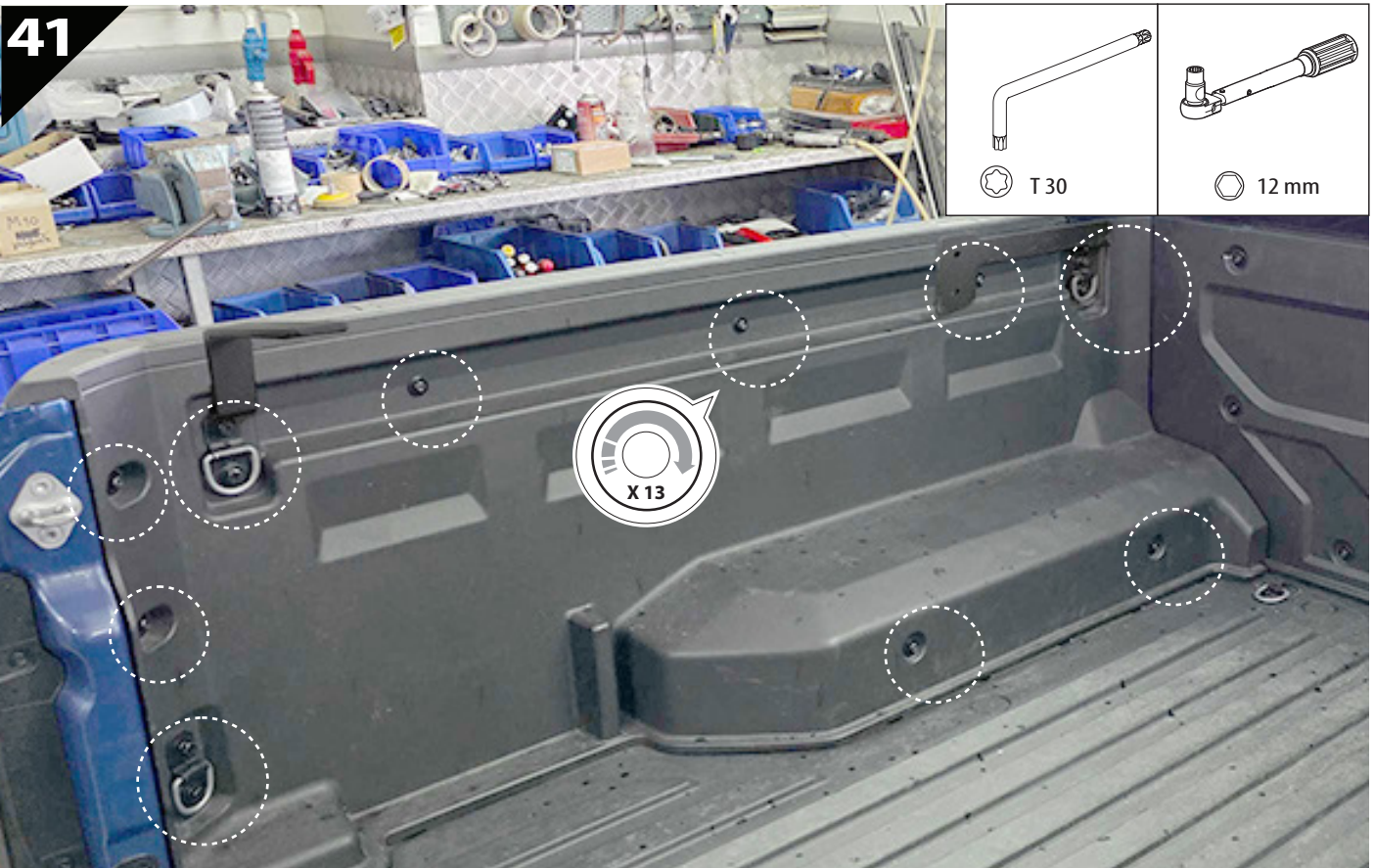
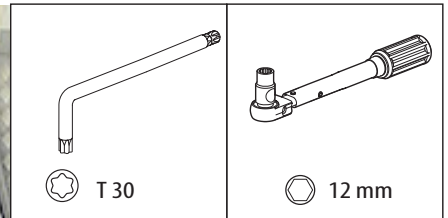


12 mm

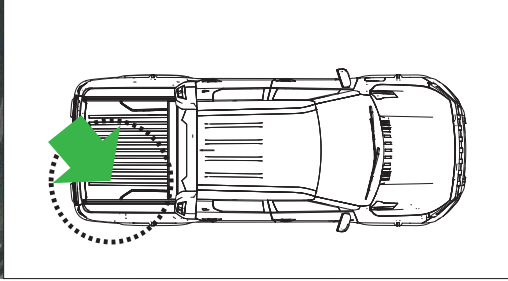
40



41



42



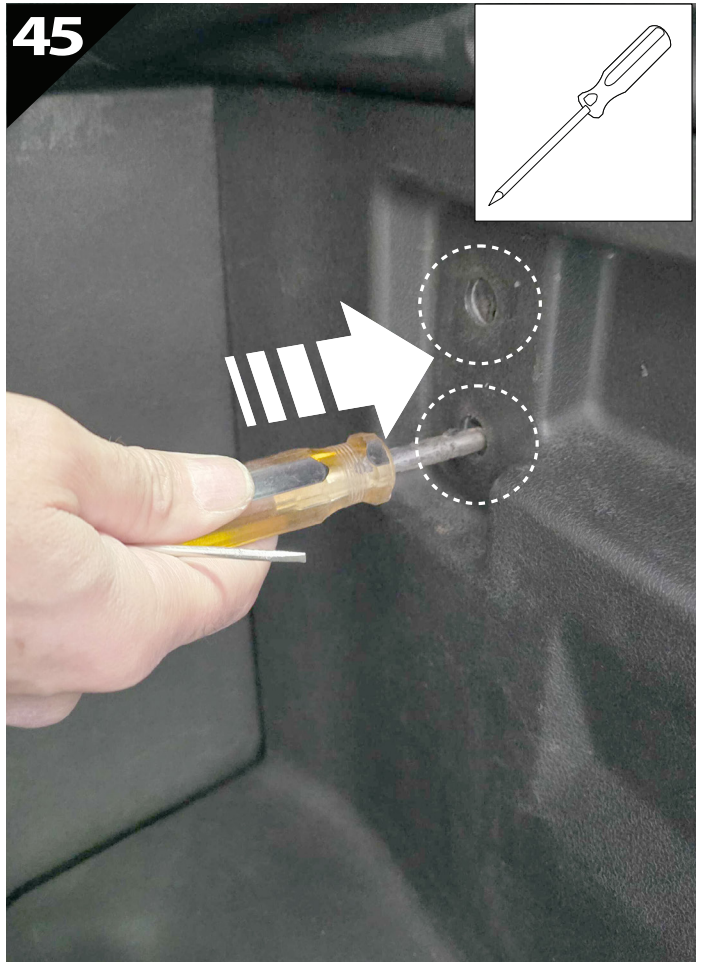
43



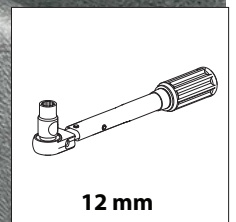
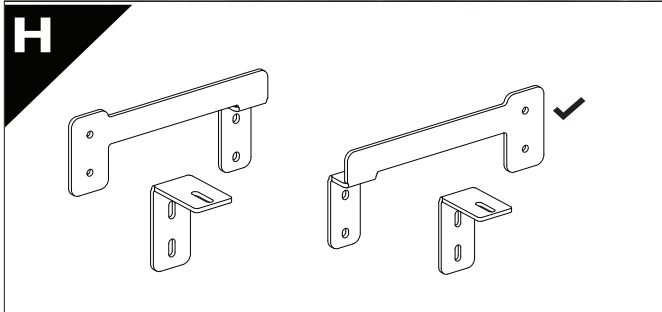
44



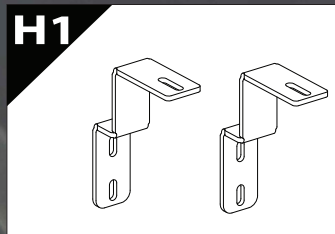
45



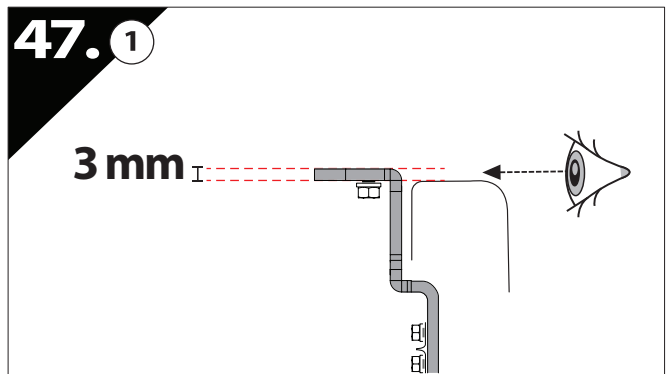
46



47



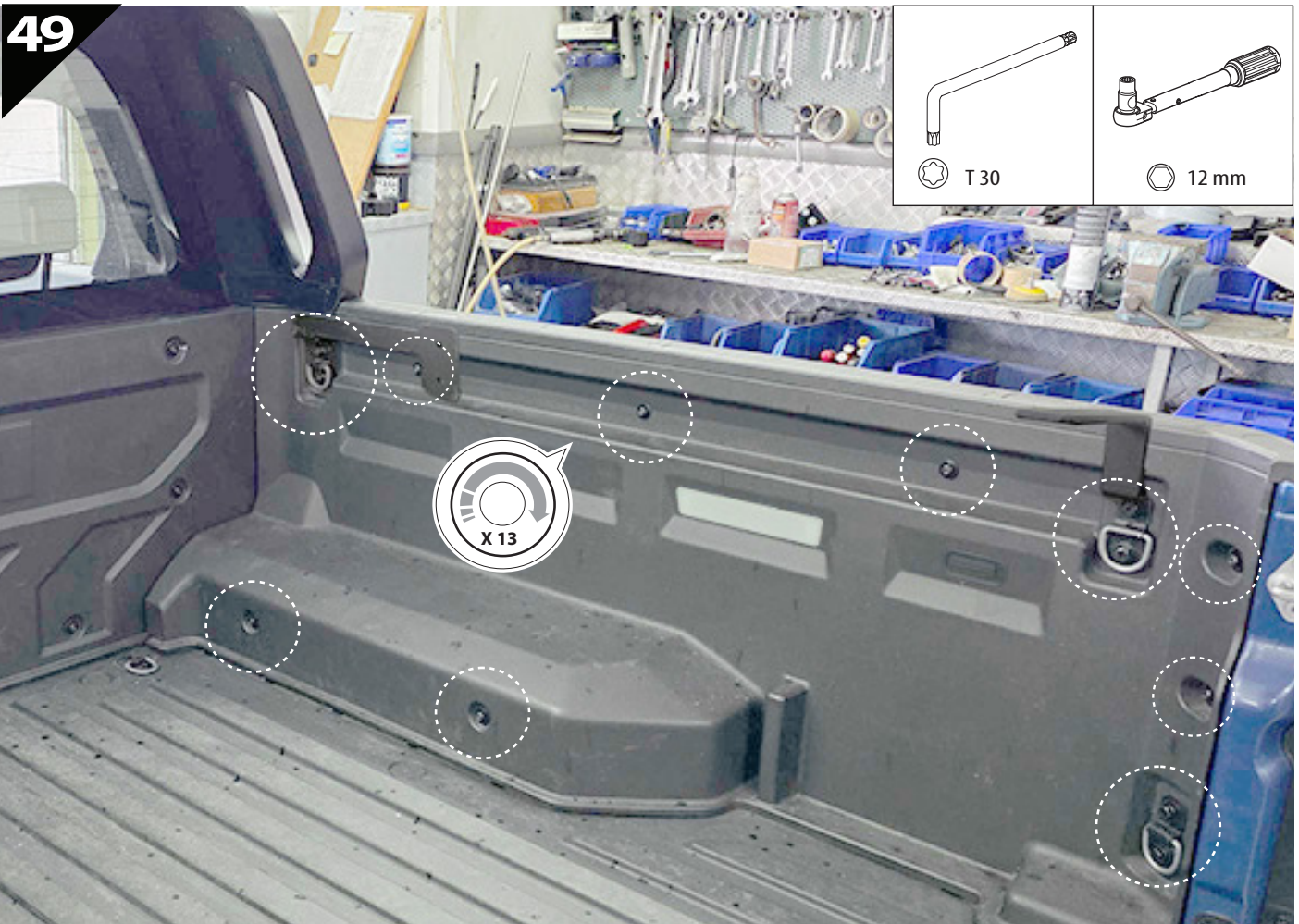
47.1



48



49



50



51

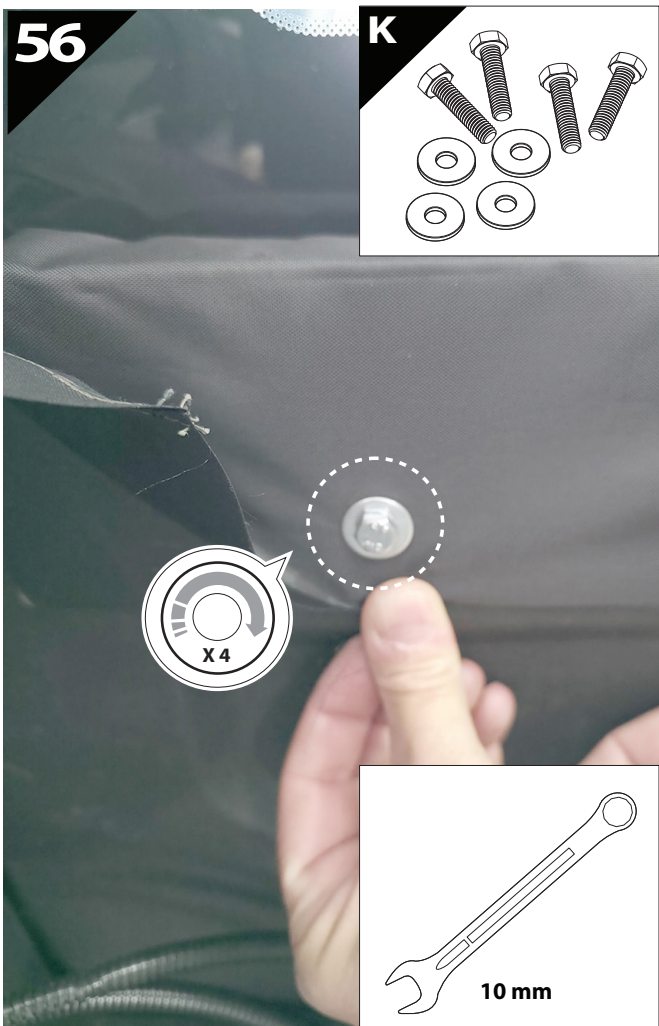


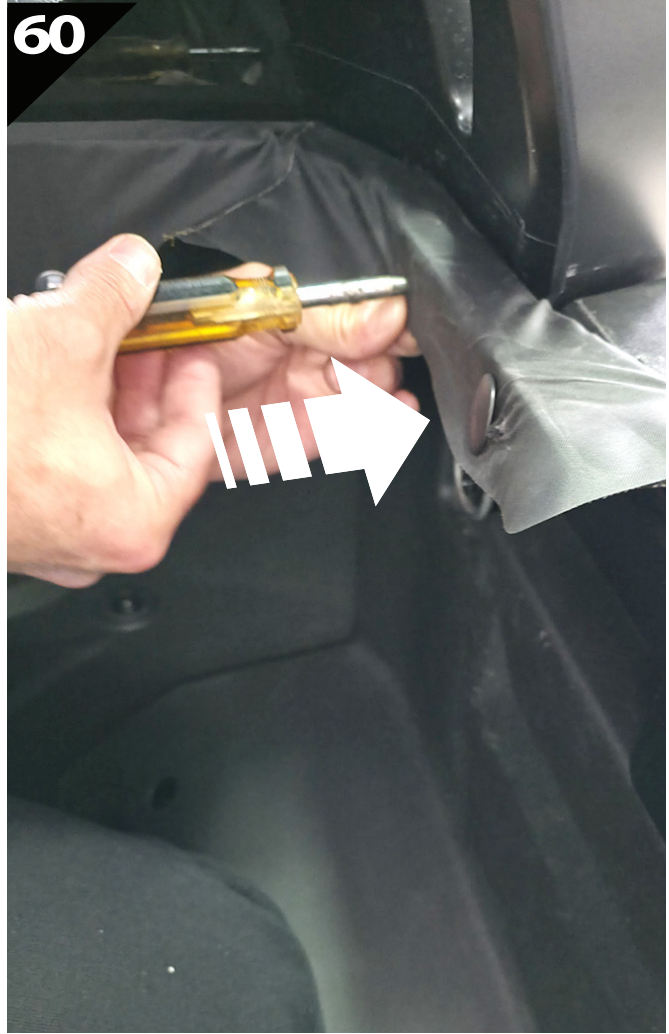
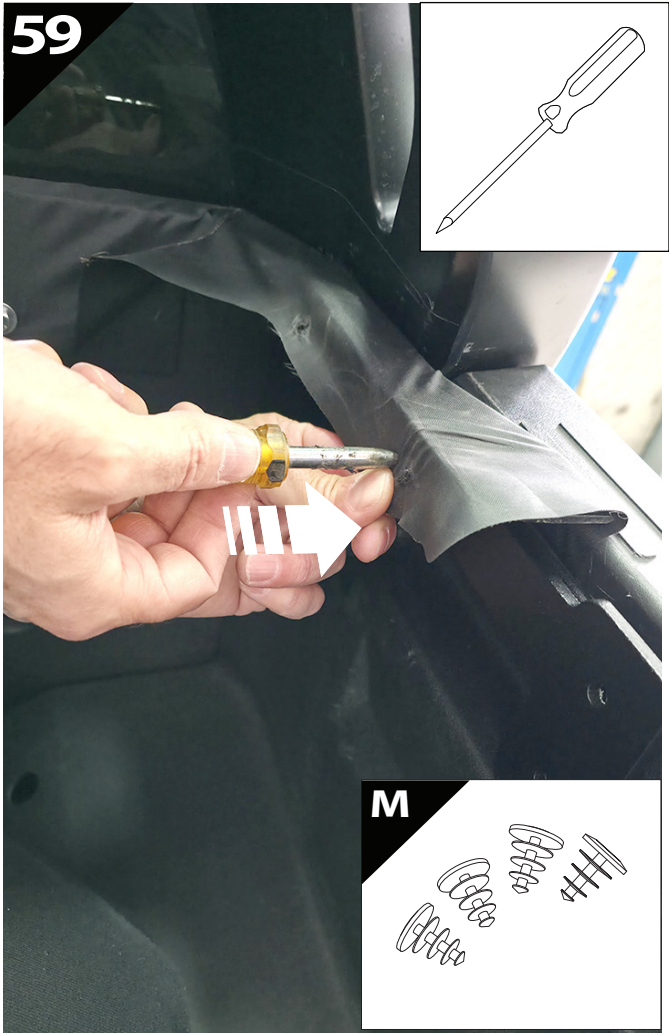
52



53







63



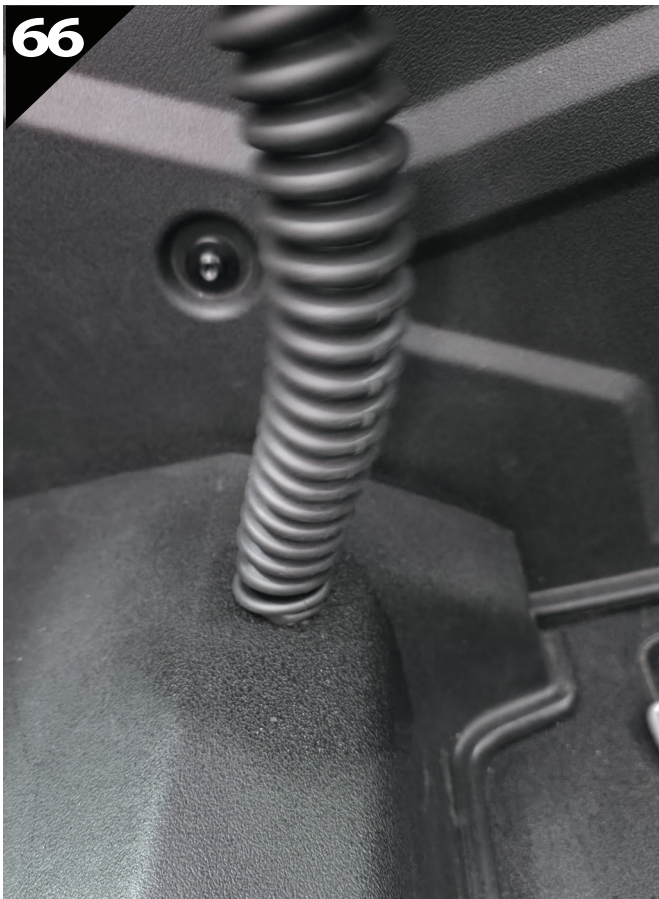
64



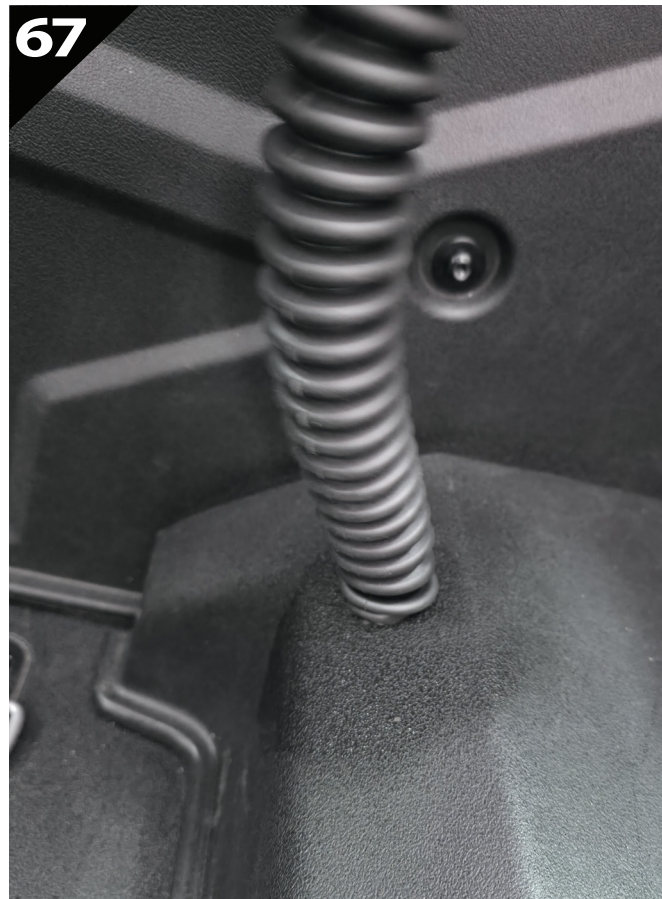
65



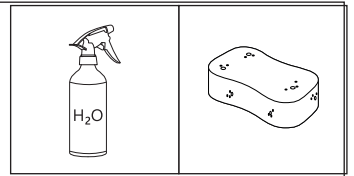
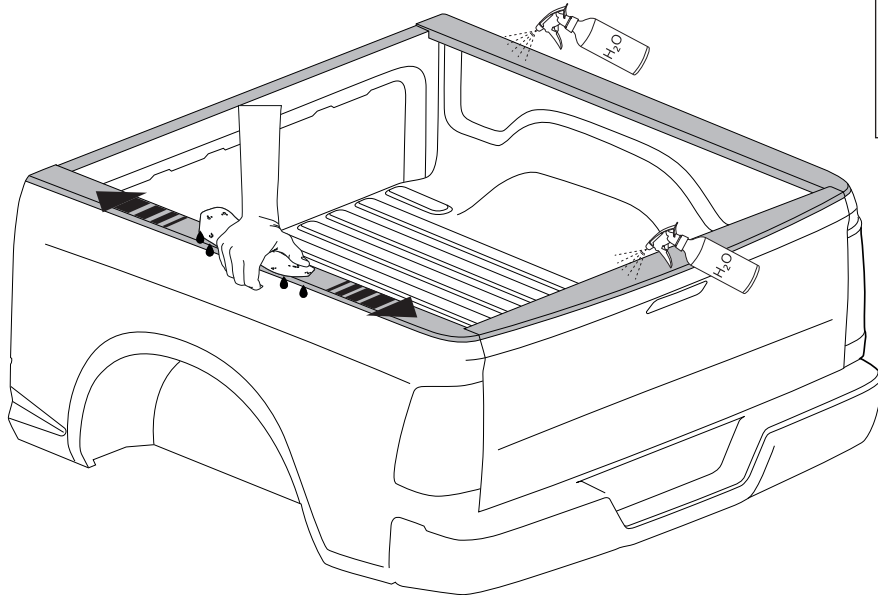
66



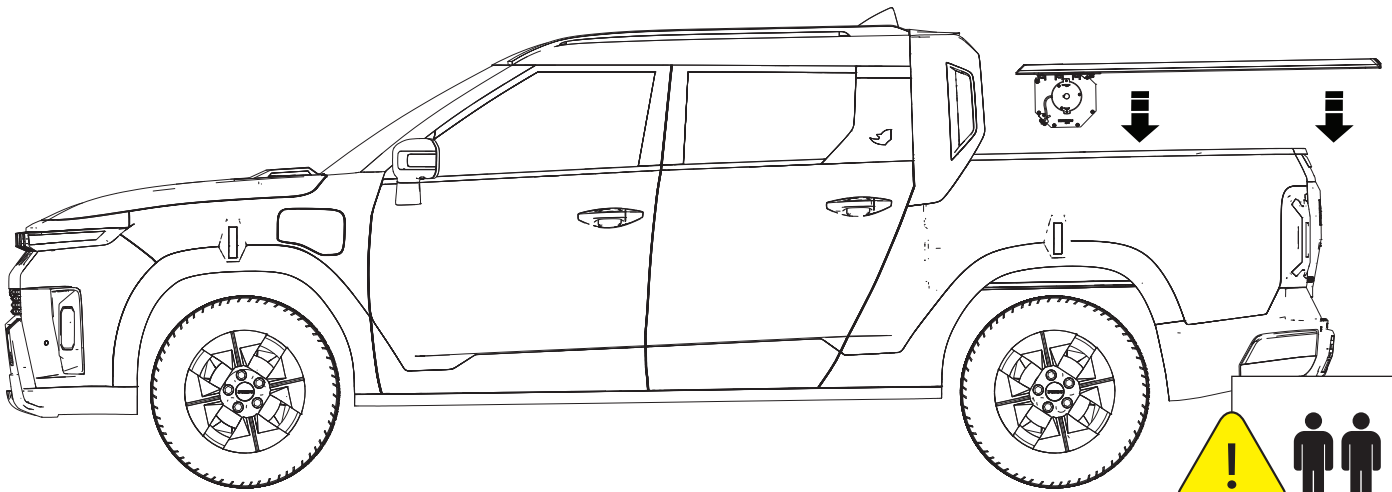
67



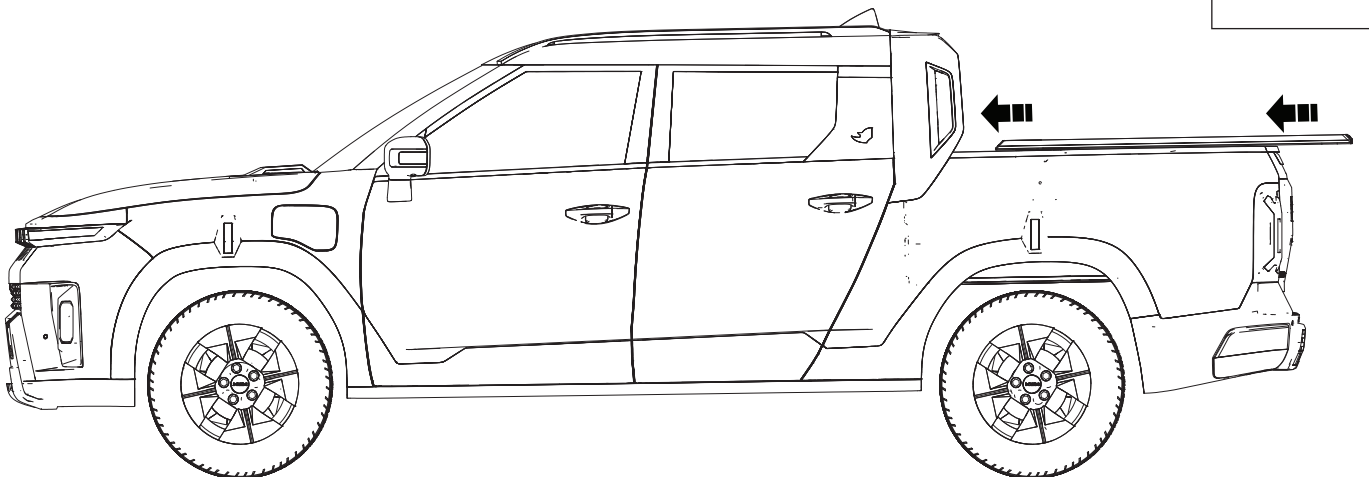
68

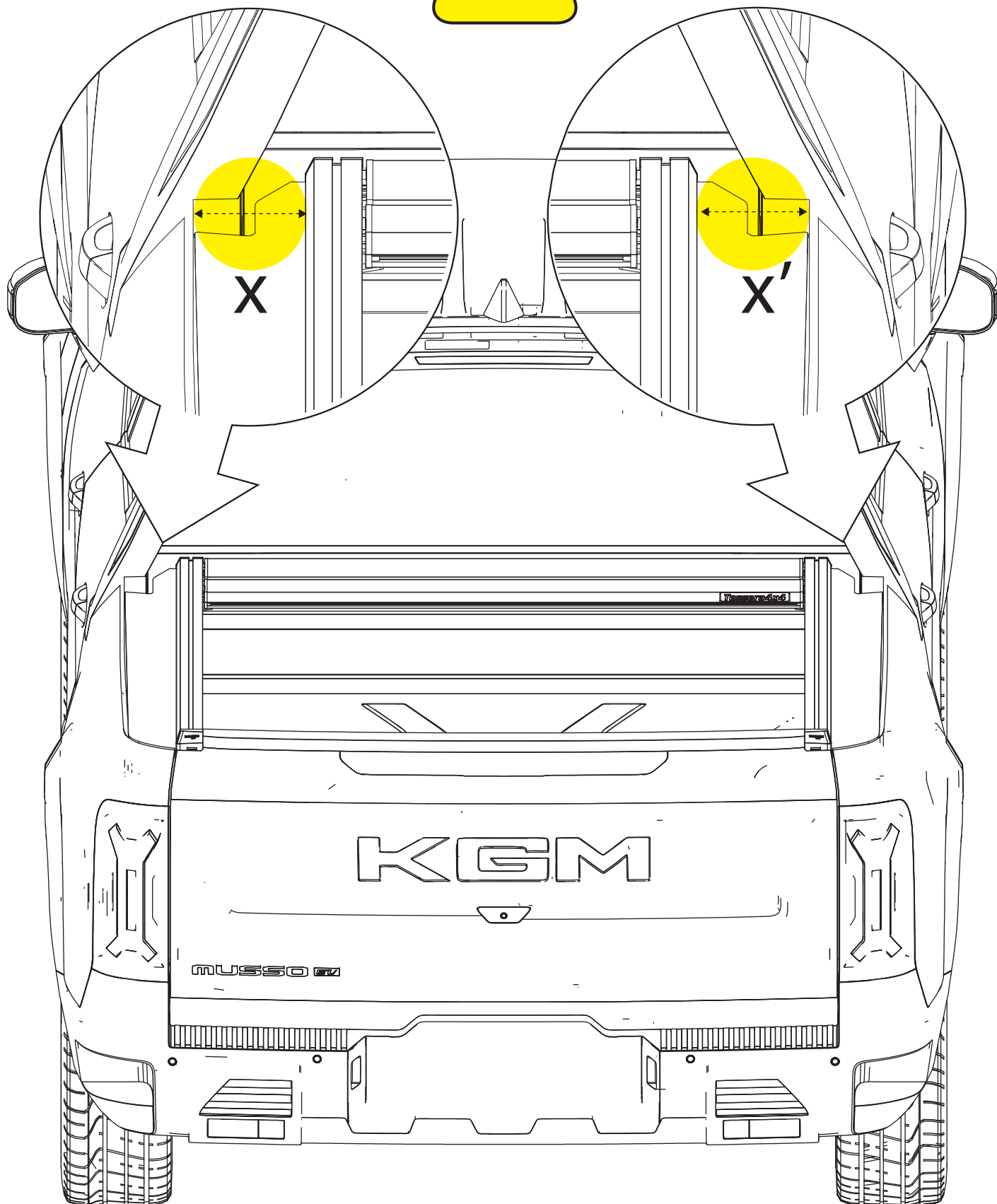


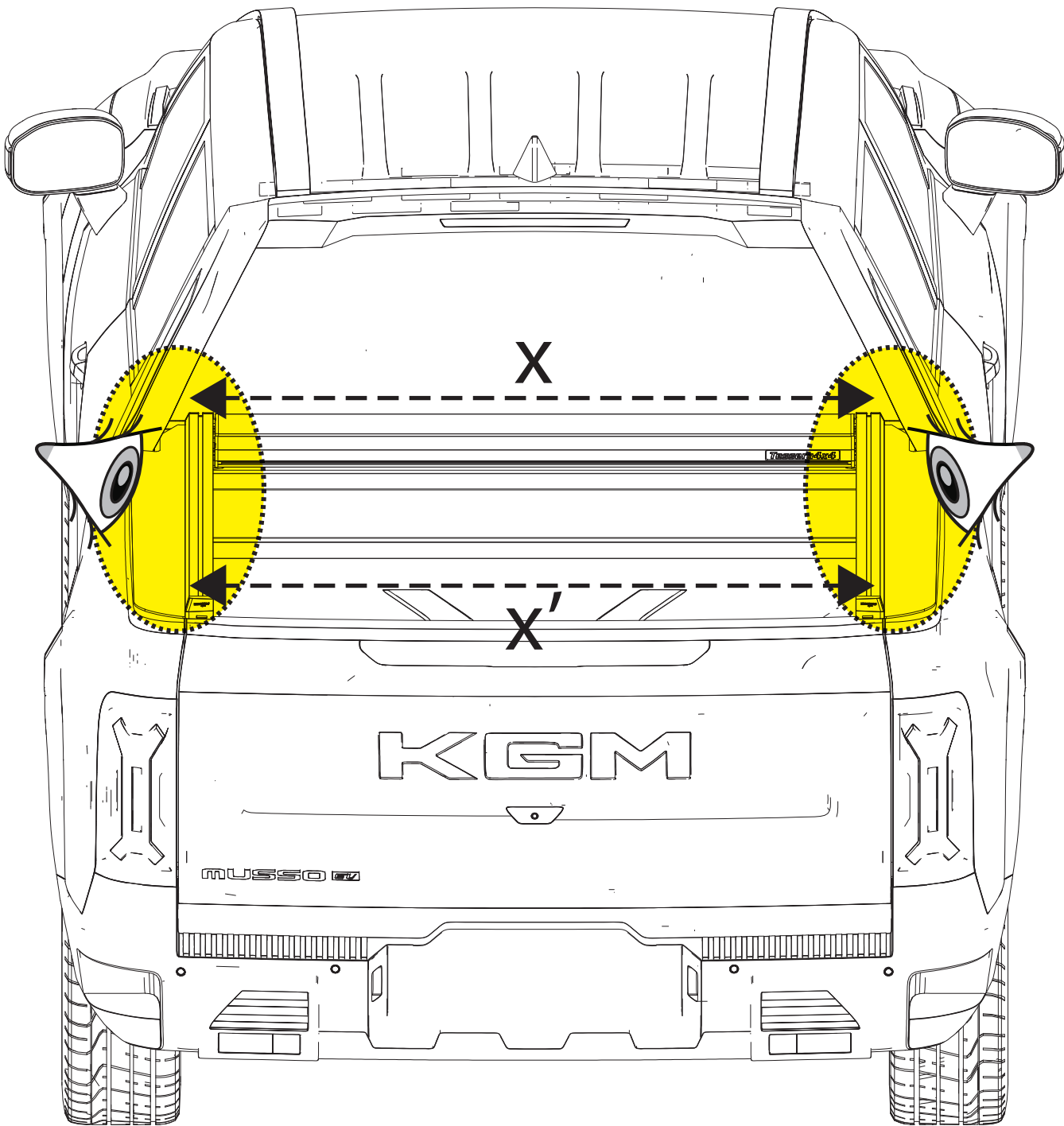
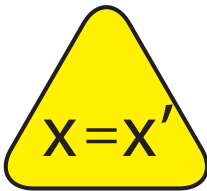
69



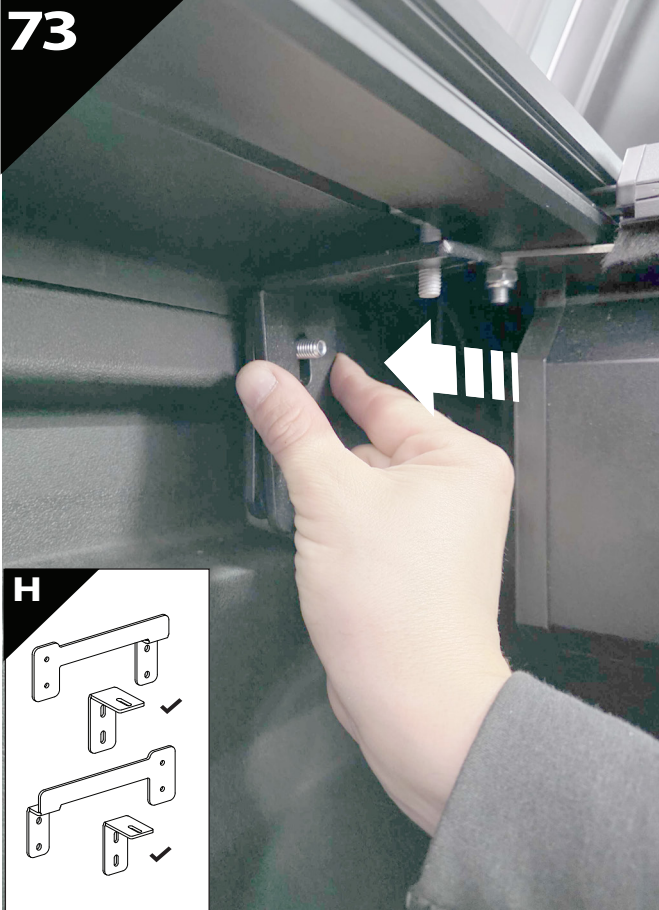
70



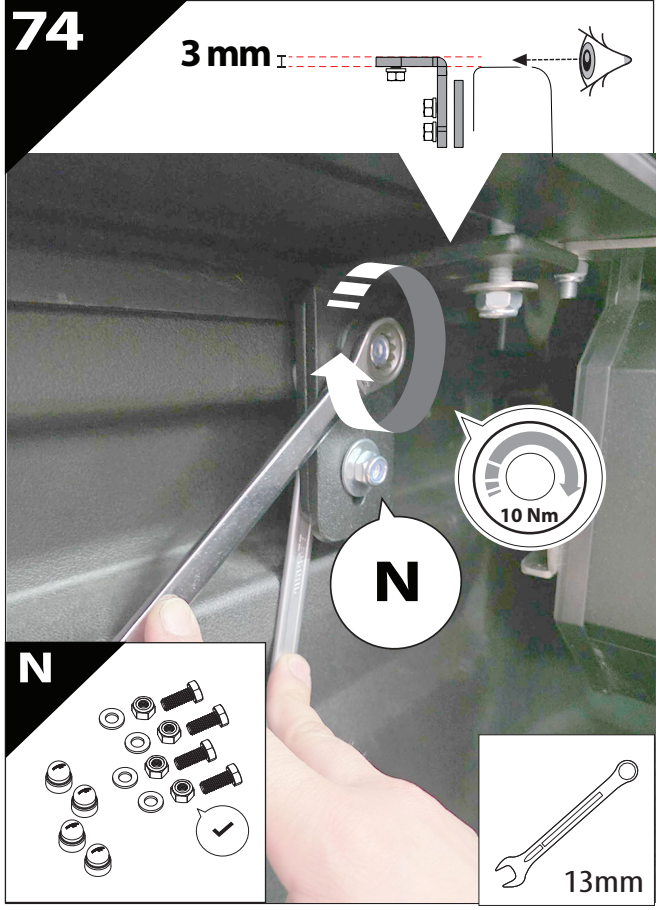




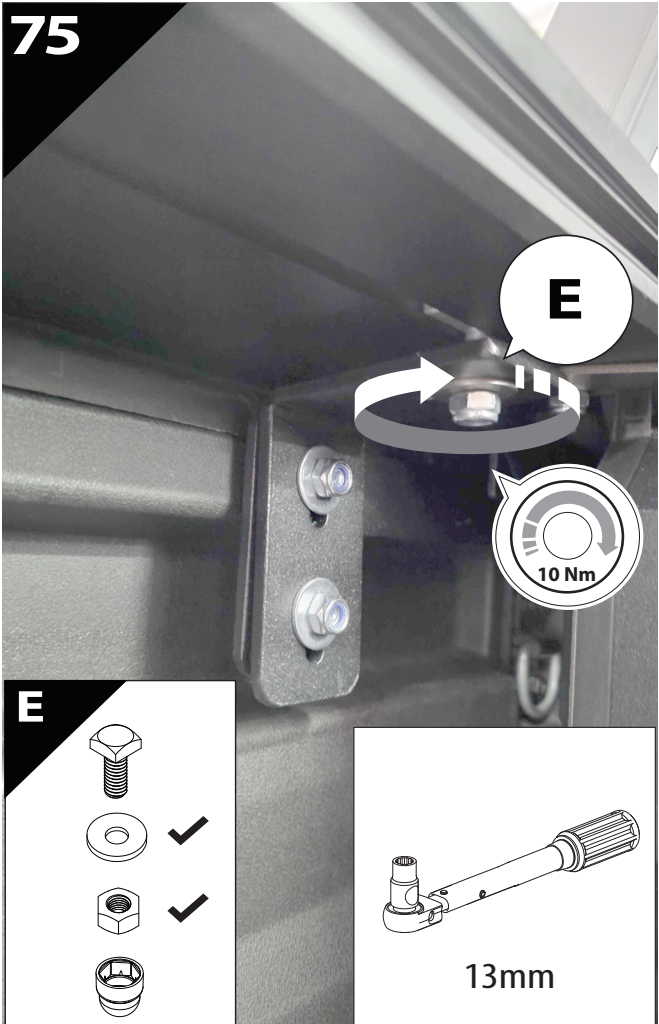
73



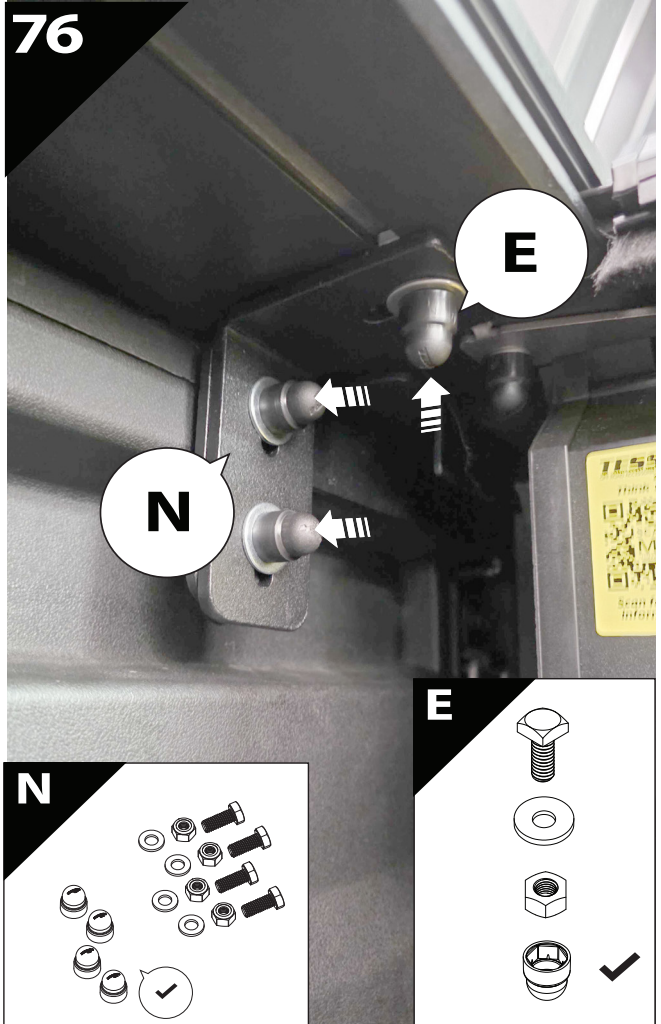
74

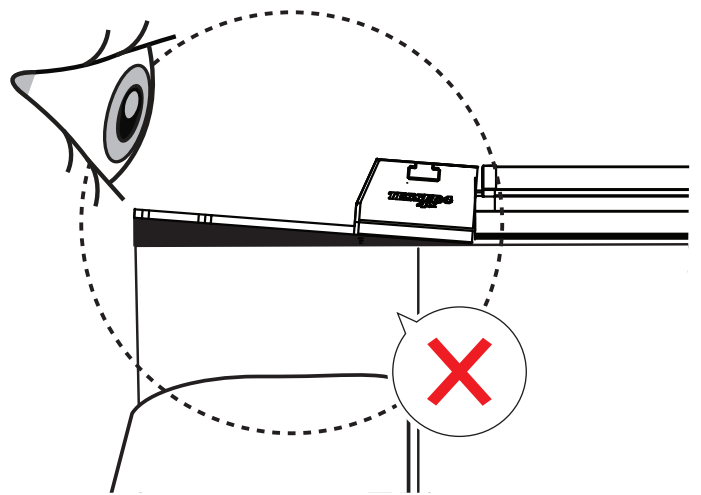
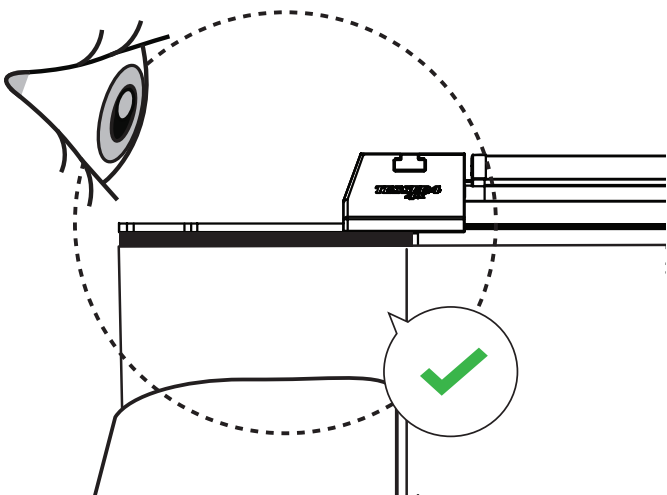


75

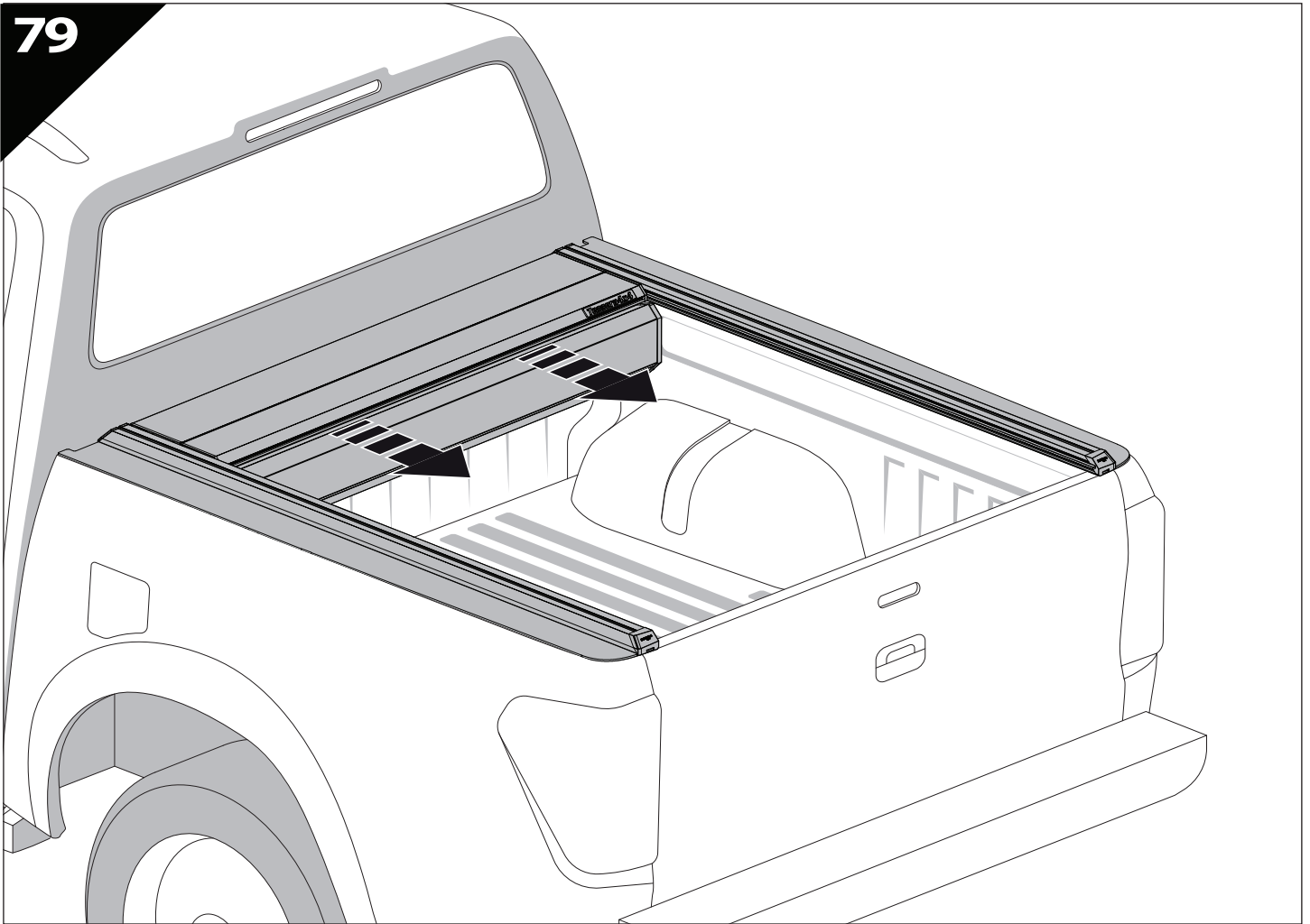


76

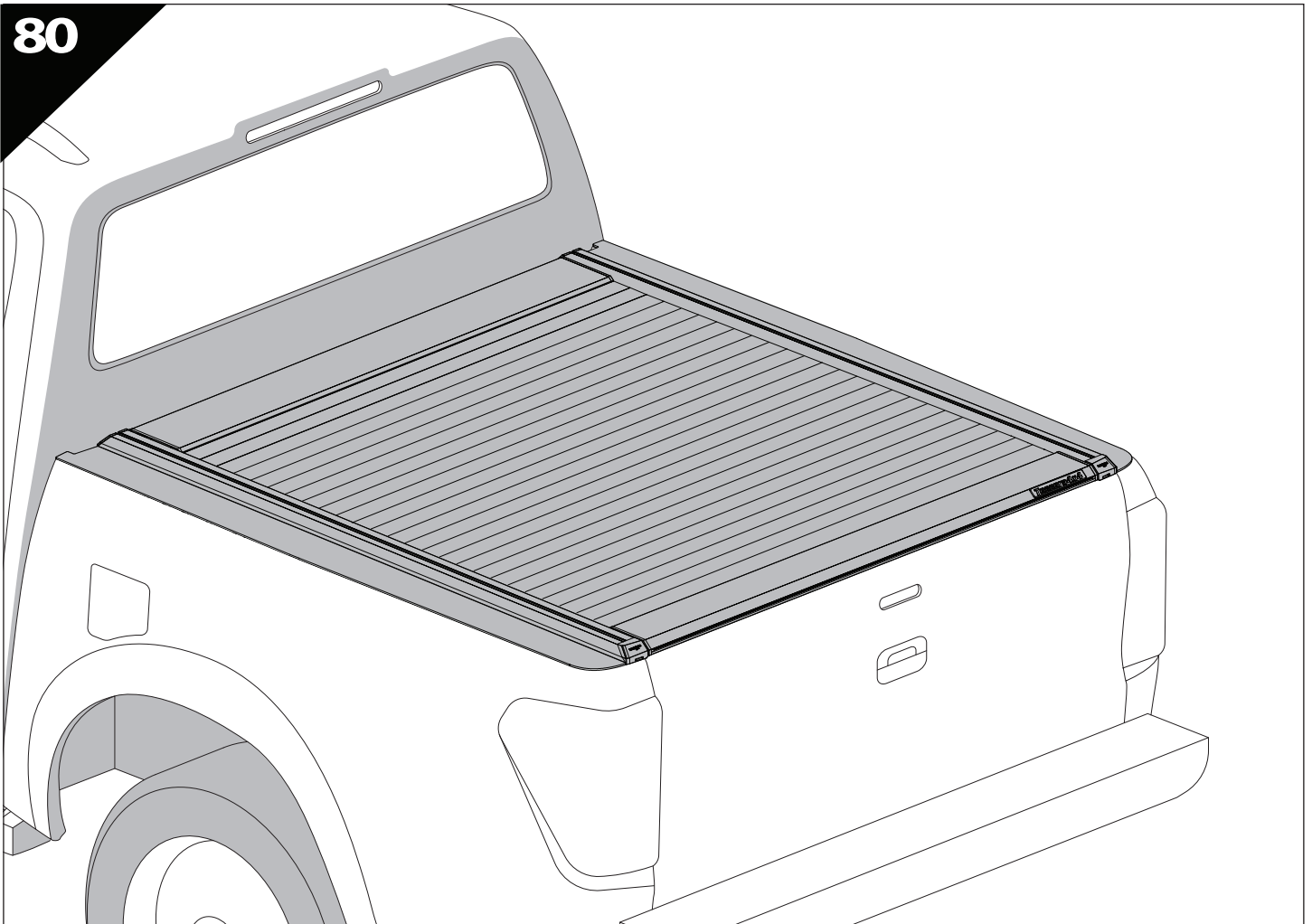




79



80





GR: Οδηγίες Εγκατάστασης
GB: Installation manual
SF: Asennusohje
F: Notice de montage
PL: Instrukcja montażu
NL: Installatie-instructies
TR: Montaj Talimatı
S: Monteringsanvisning
E: Instrucciones de montaje

H: Szerelési utasítás
P: Instruções de instalação
RUS: Инструкция по установке
N: Monteringsveiledning
D: Einbauanleitung
CZ: Návod k instalaci
I: Istruzioni de montaggio
DK: Monteringsvejledning
RO: Instructiuni de instalare

Customer Service:

+30 (210) 5541161, +30 (210) 5541154 (08:00 - 16:00 EET)

Support department:

info@gianso.gr

Website:

www.tessera4x4.com

Address:

19.5 km of National road Athens-Korinthos (Elefsina) Greece, P.C: 19200