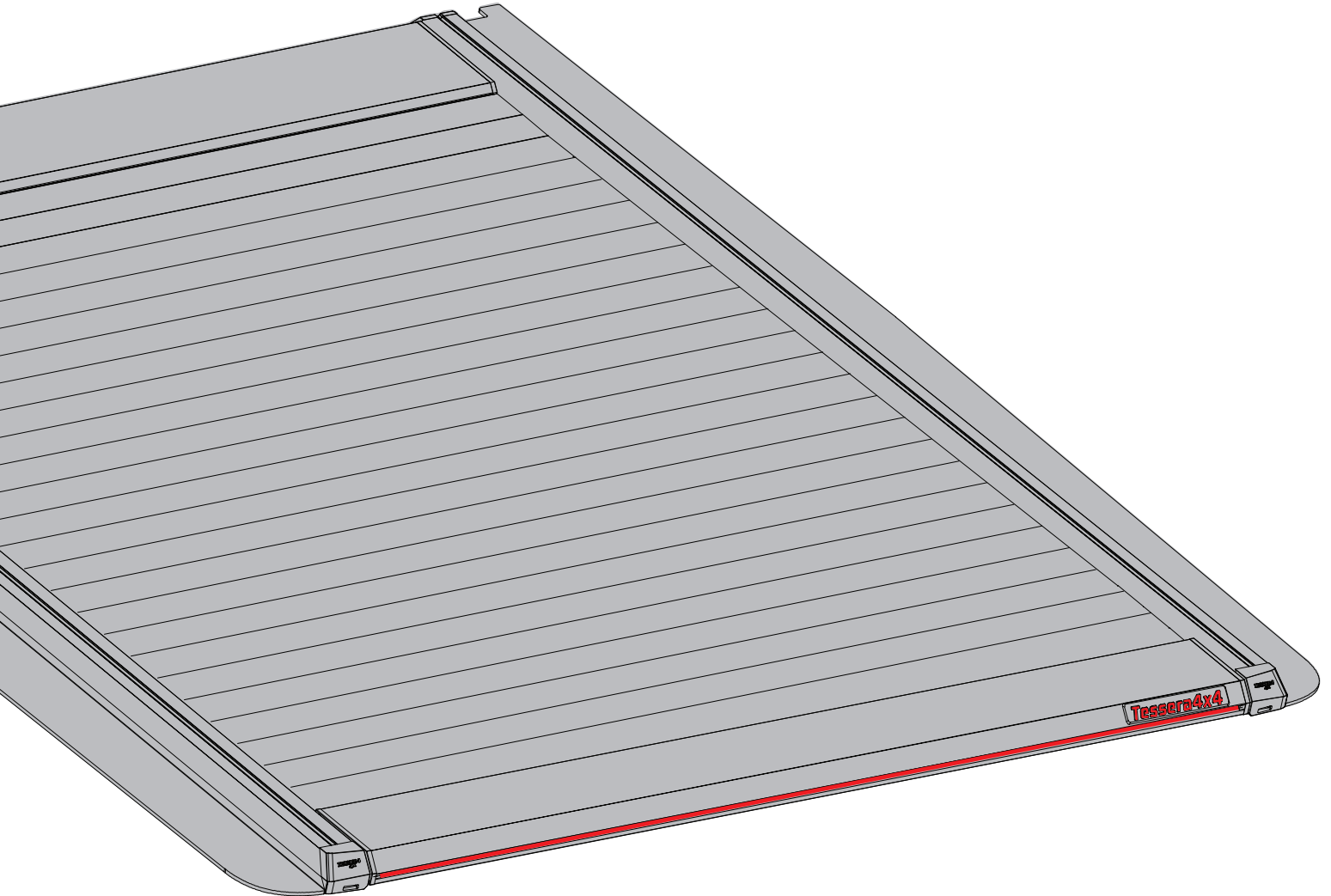


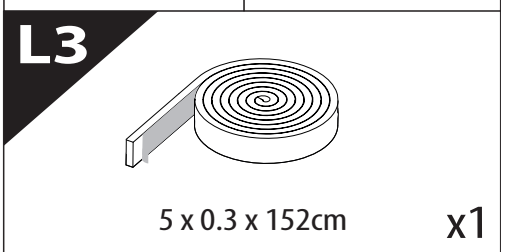
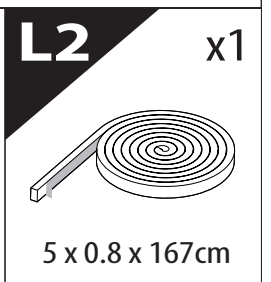
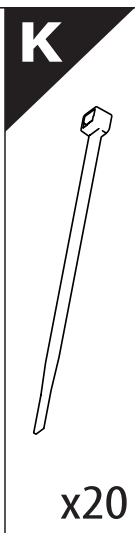
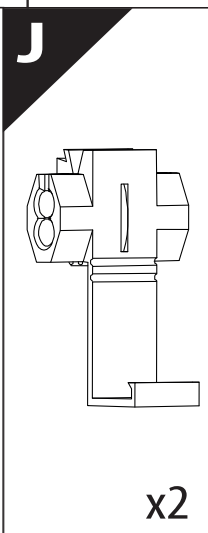
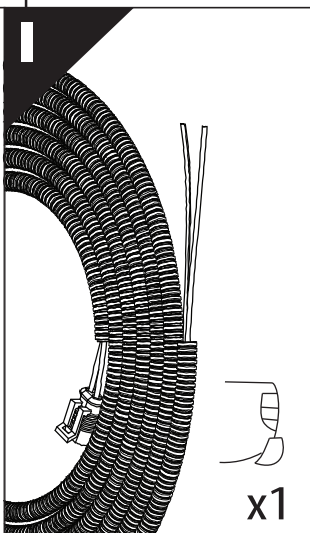
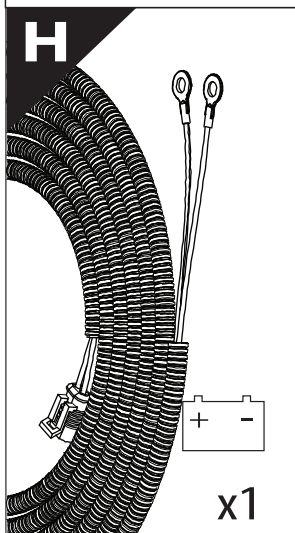
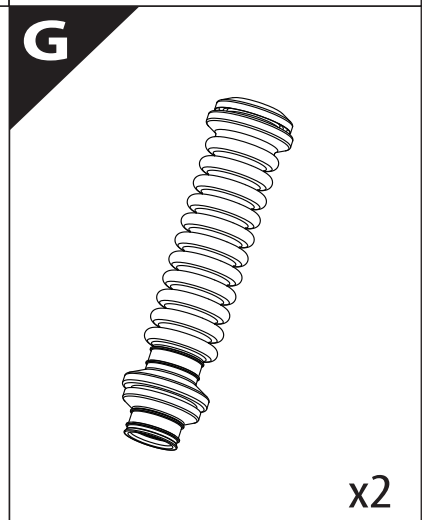
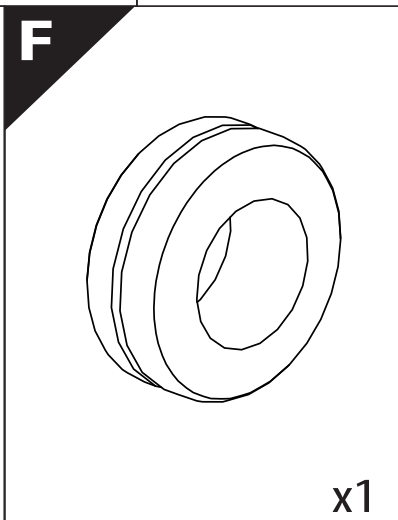
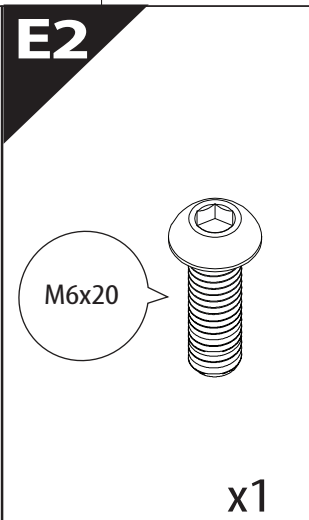
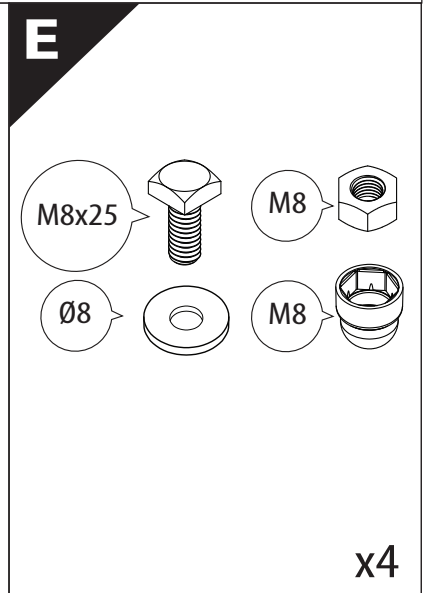
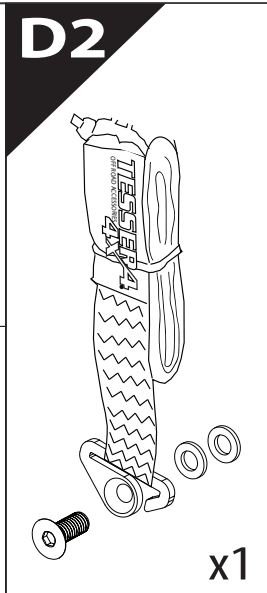
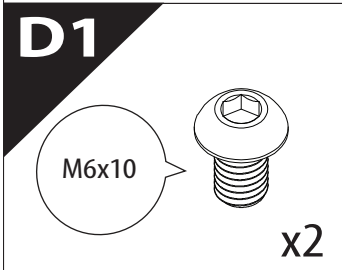
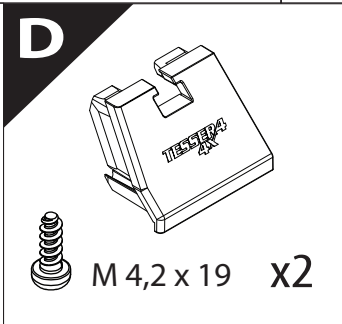
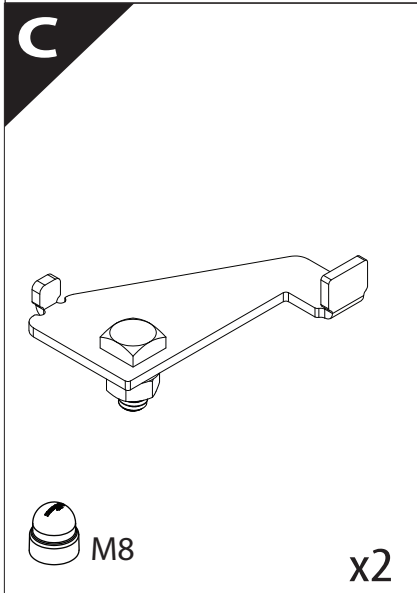
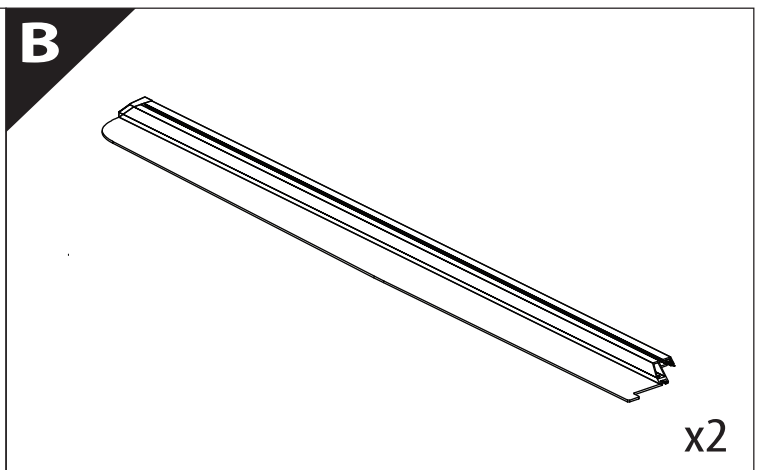
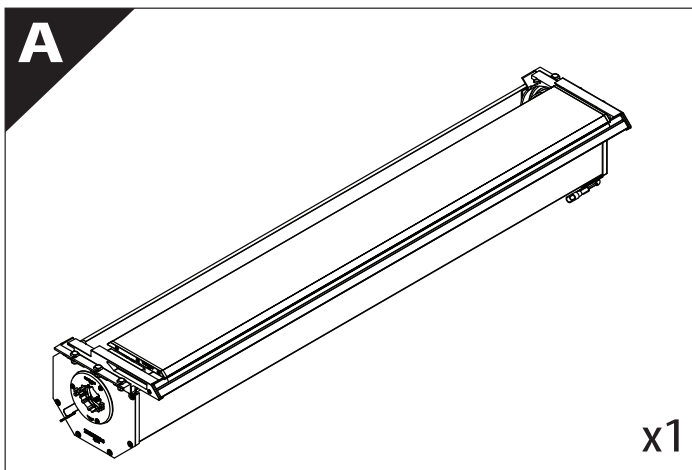
Tessera Roll+

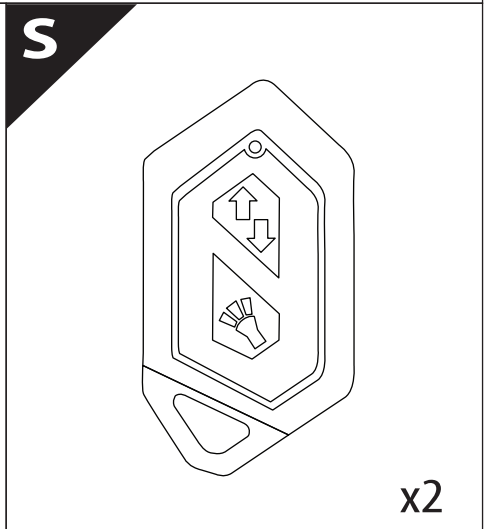
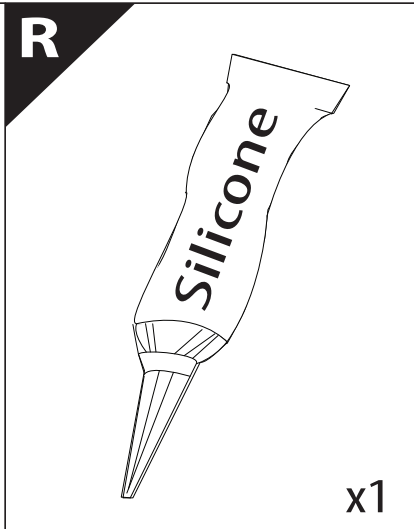
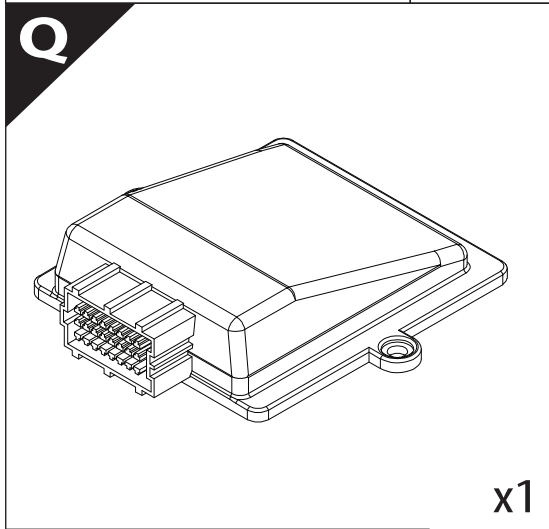
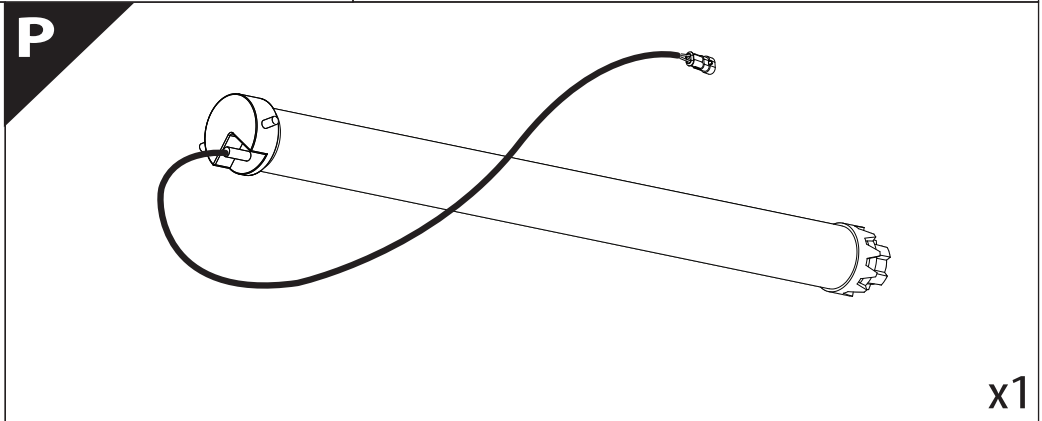
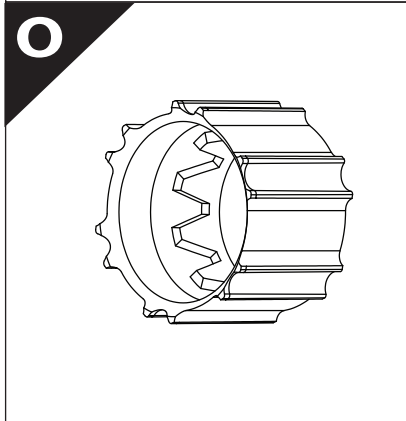
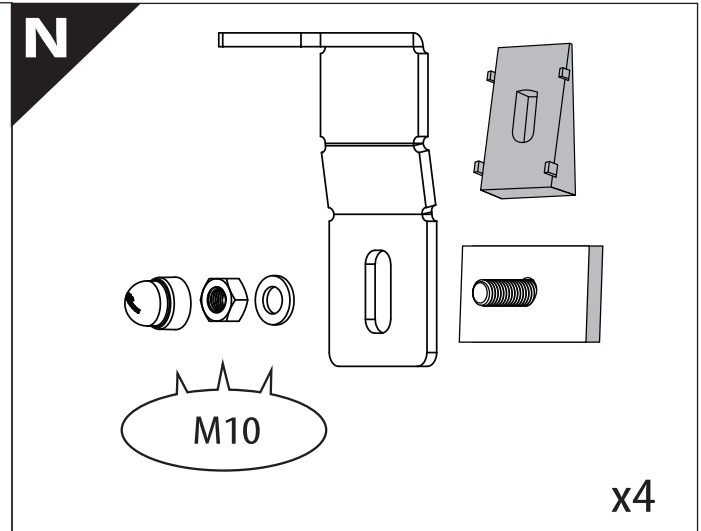
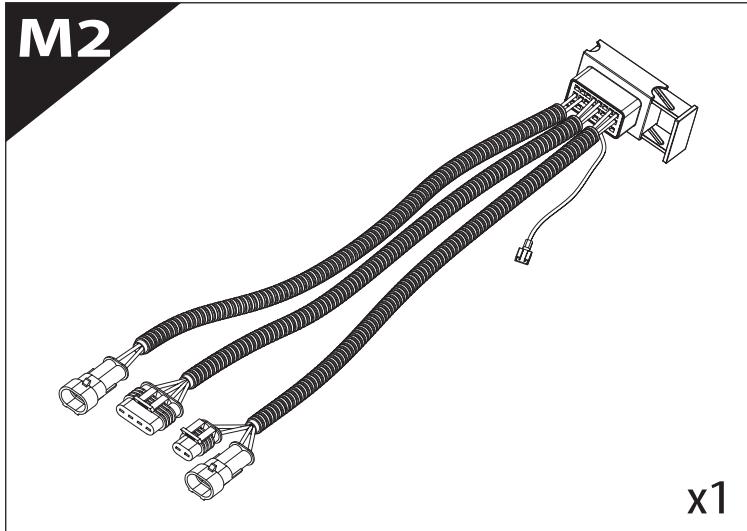
Basic Version + ⚡ E-KIT

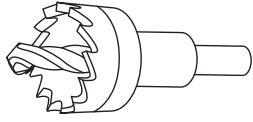


Installation Manual

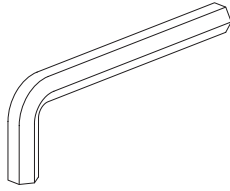
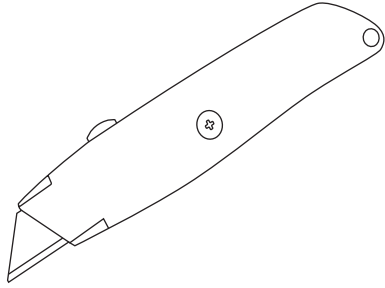
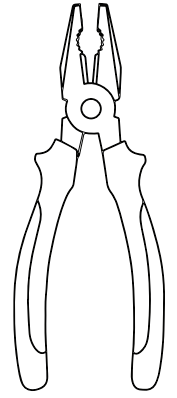
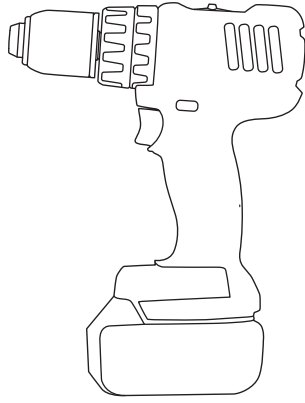
PART NUMBER(S)	Model Year
TESS 1420 ROLL+E-KIT	Renault Alaskan
Cab(s)	Installation Time / Weight
Double Cab	40-60 minutes / 53-57 kg





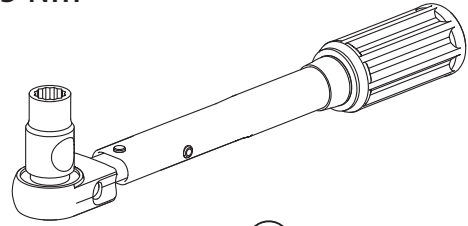


Ø 25 mm / Ø 40 mm

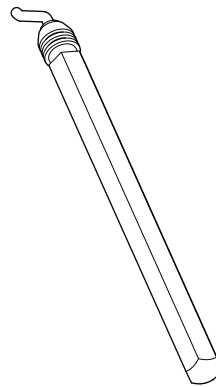
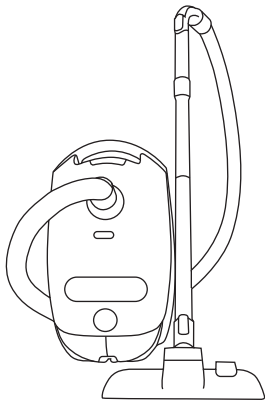
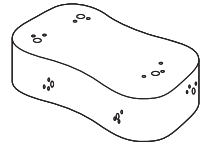
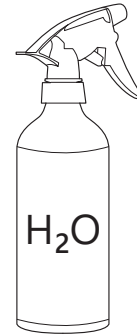
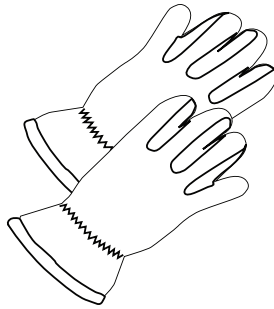
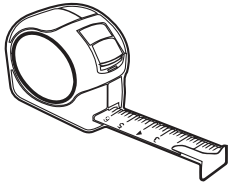


4 mm

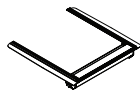
1 - 25 Nm



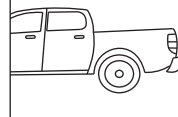
12, 13, 17 mm



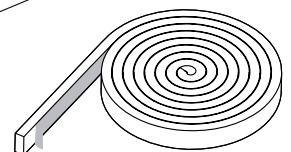
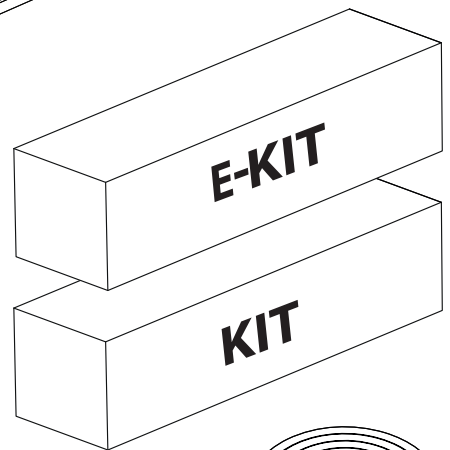
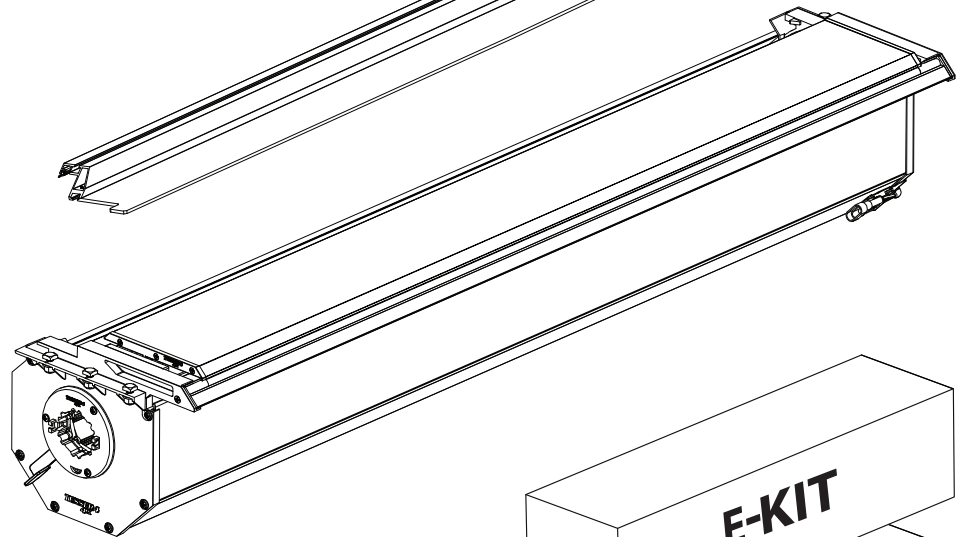
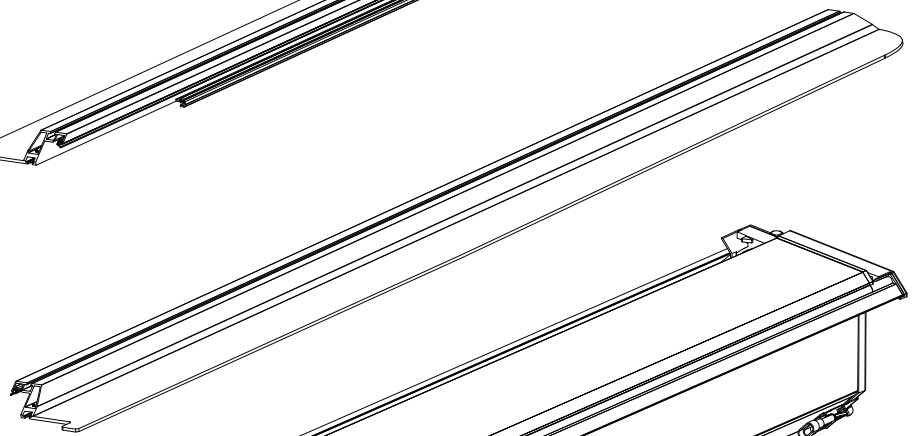
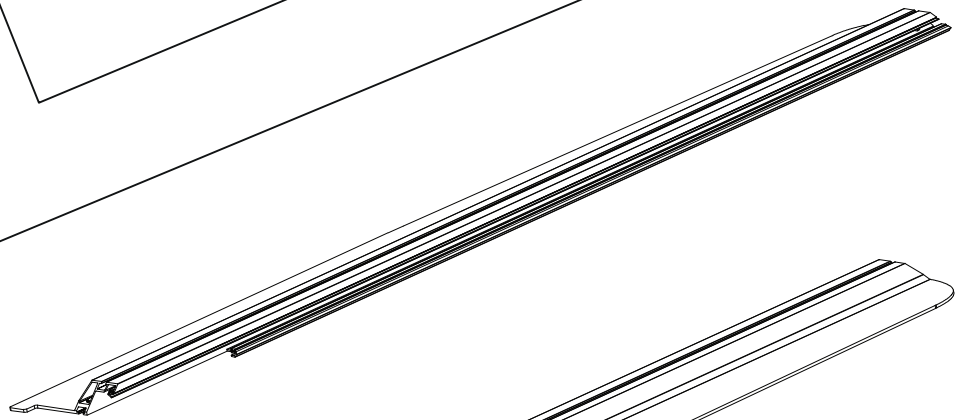
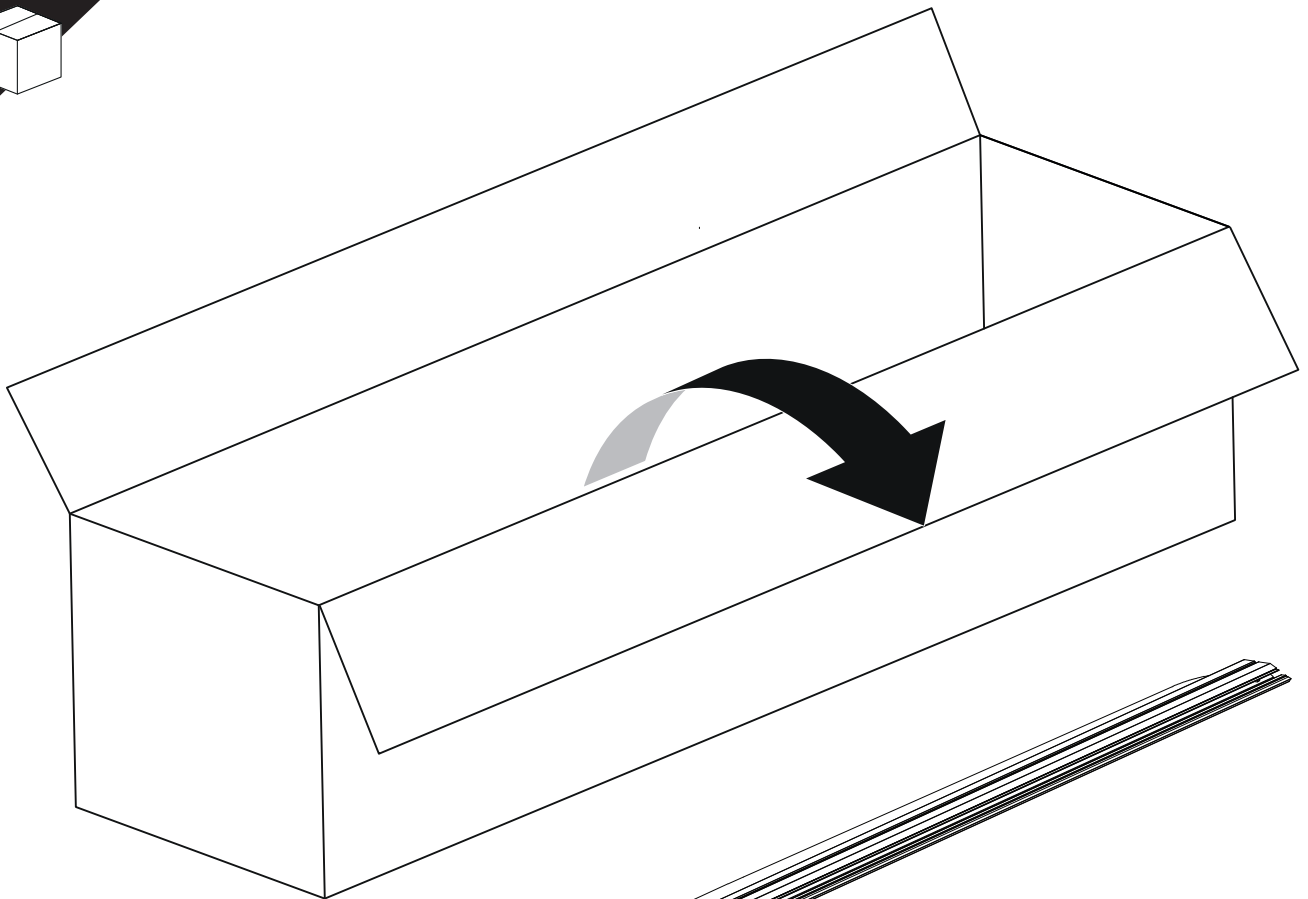
INSTALLATION
MANUAL
+E-KIT



OWNERS
MANUAL



x1

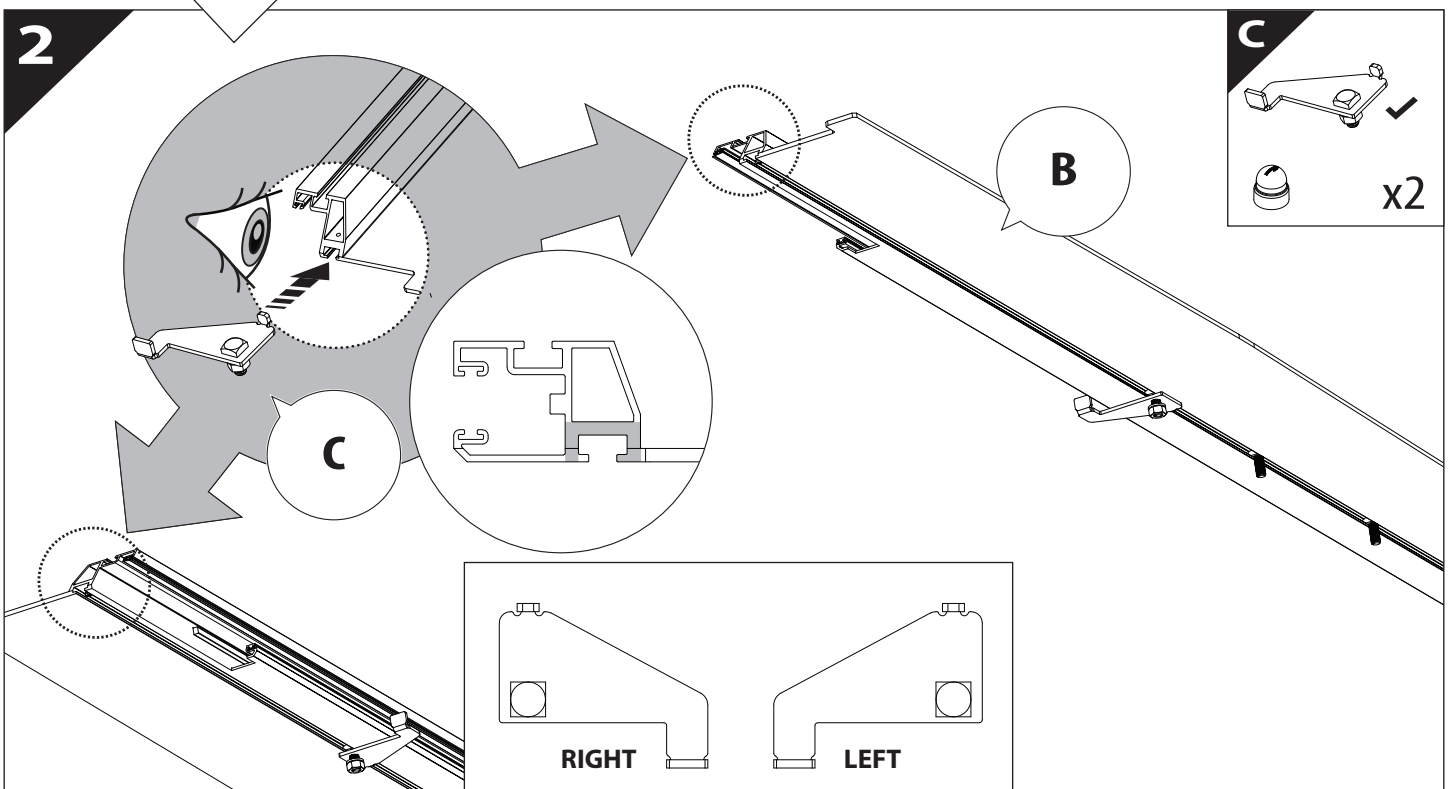
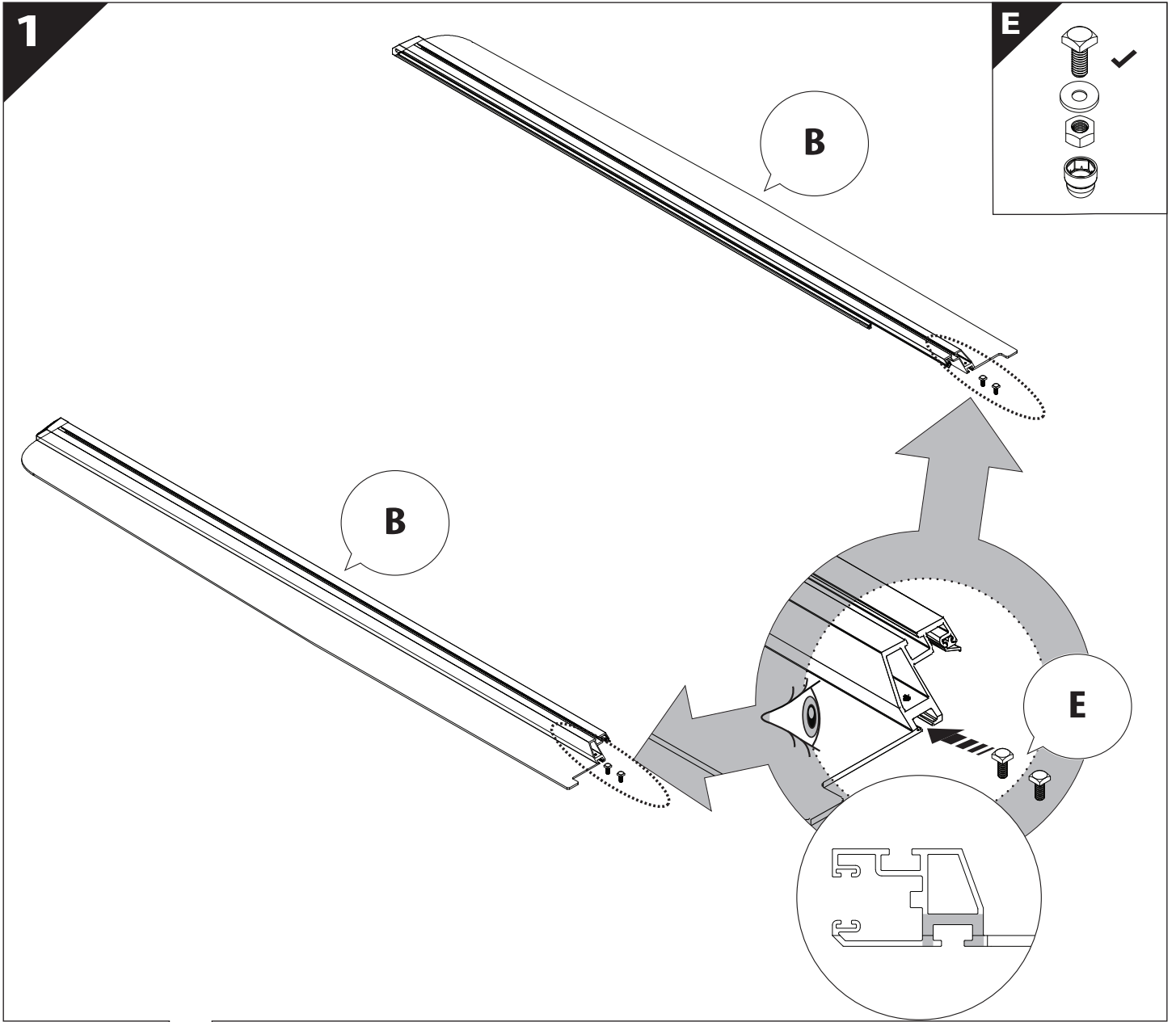


B

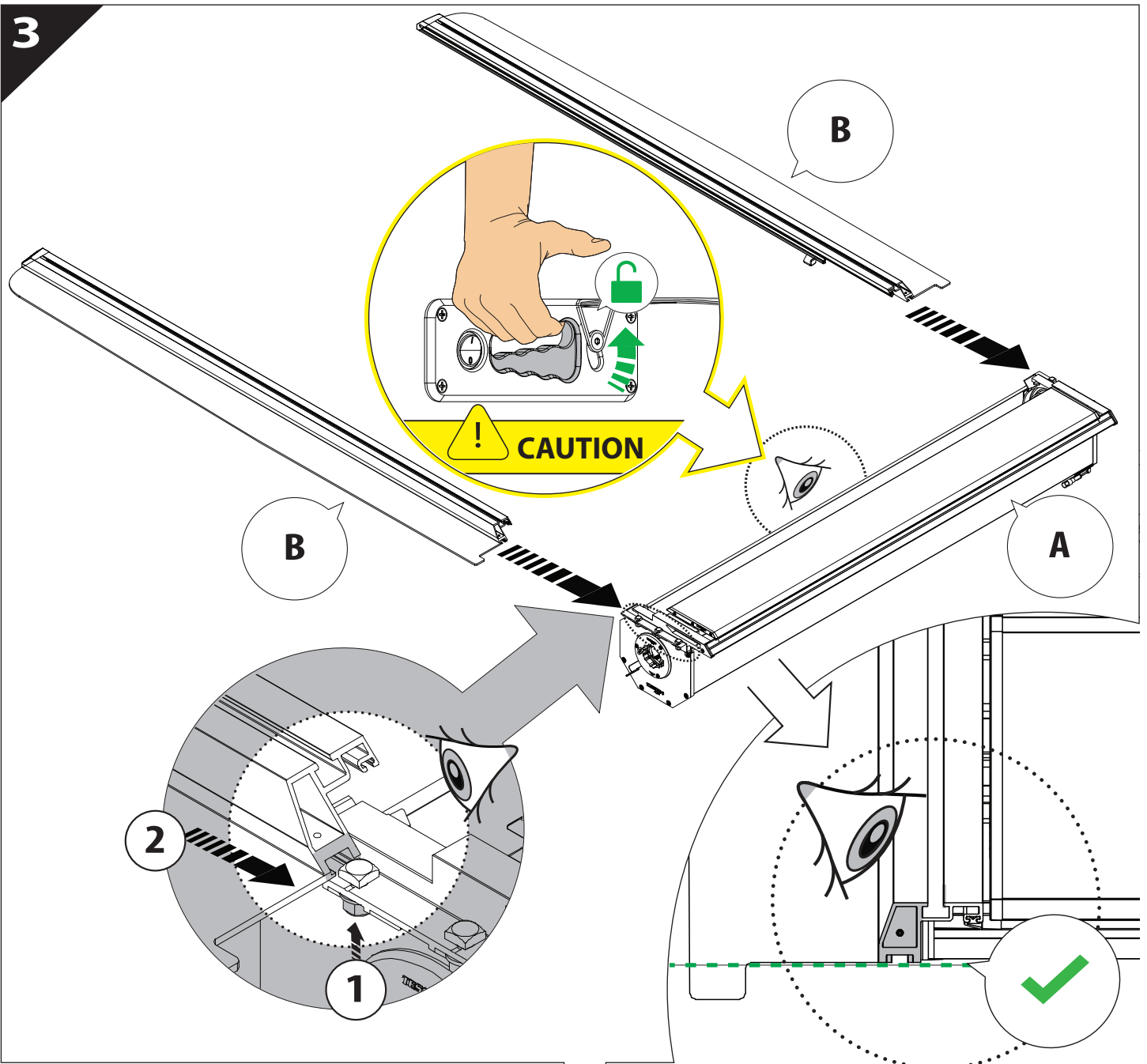
A

KITS

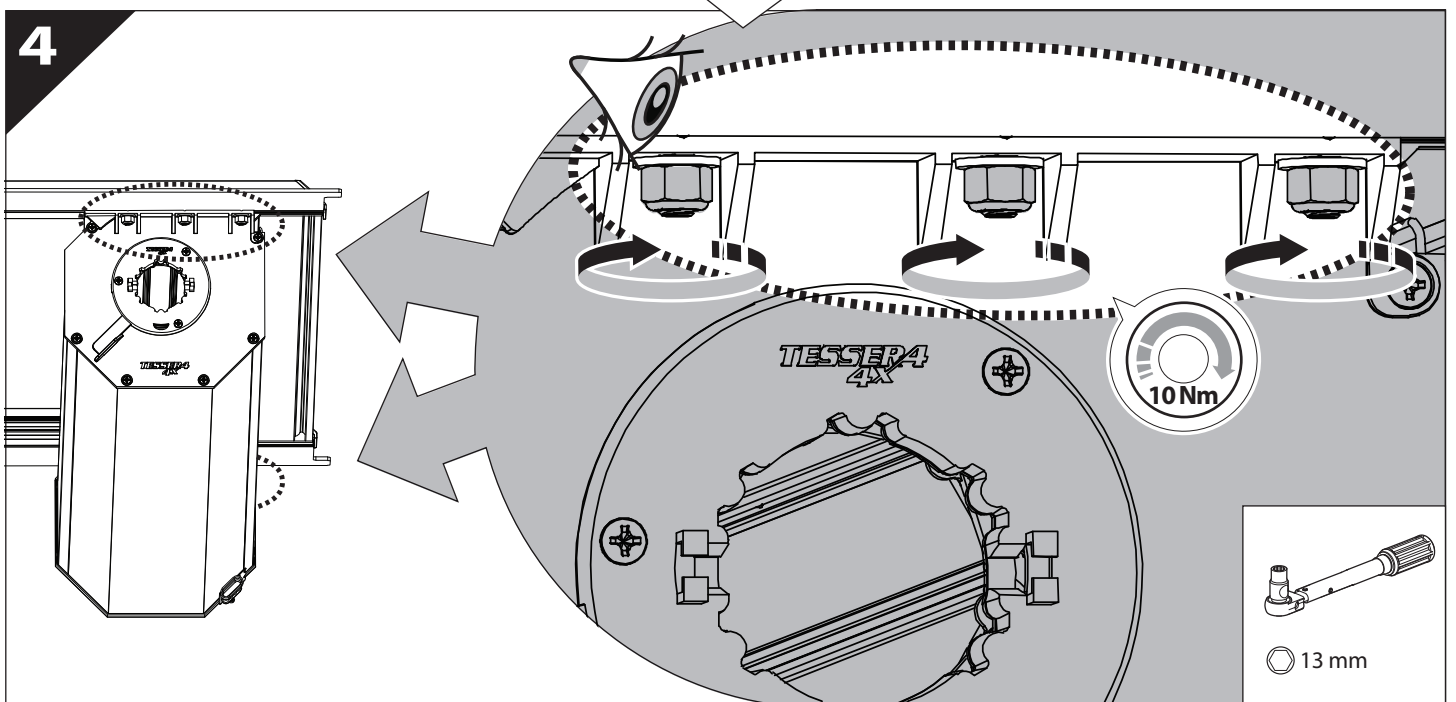
L

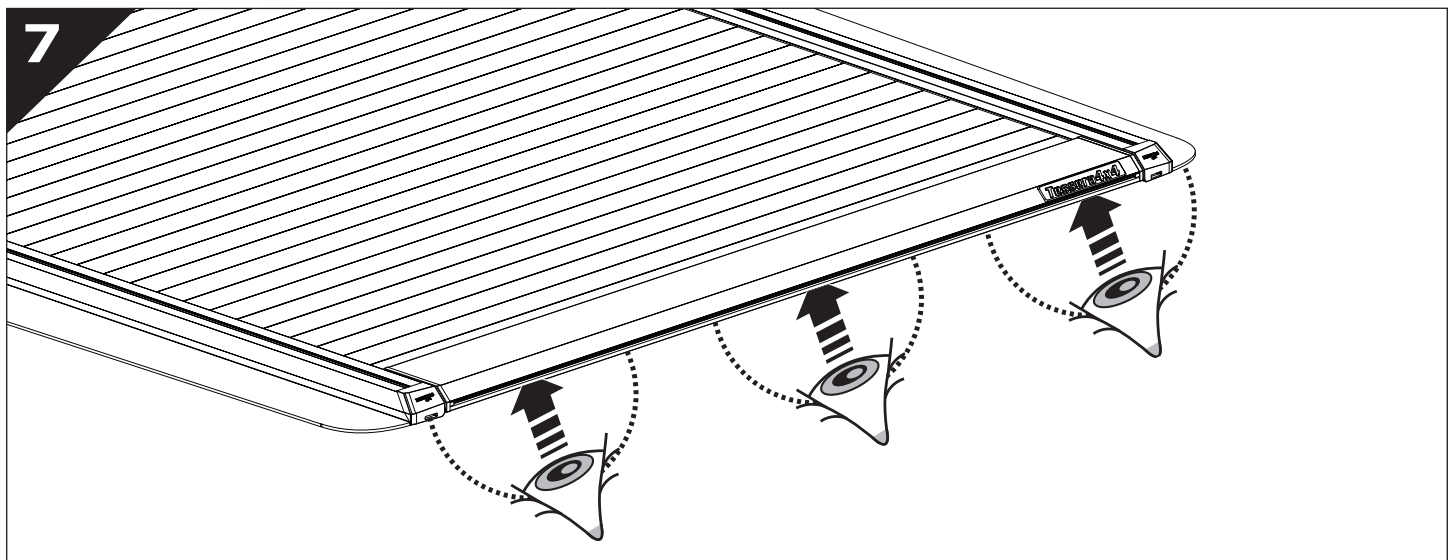
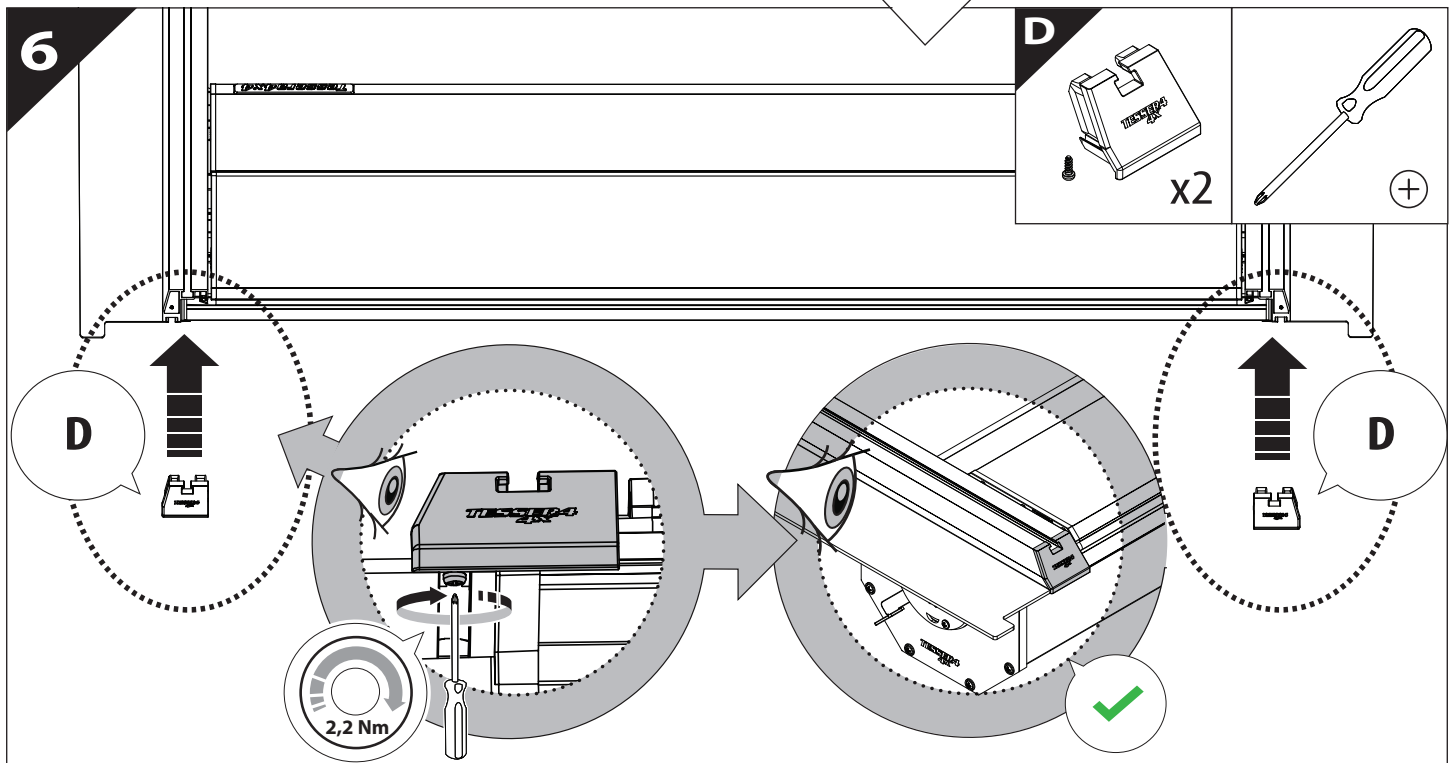
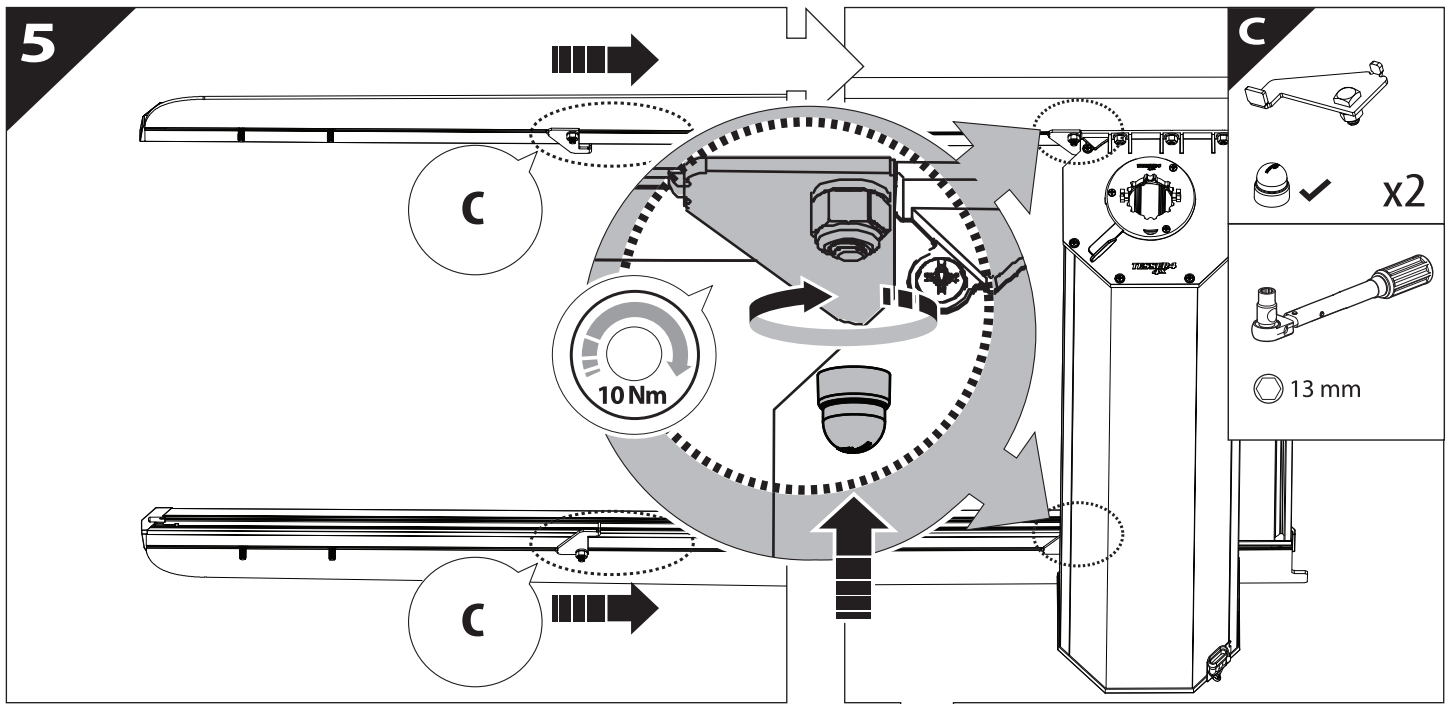


3



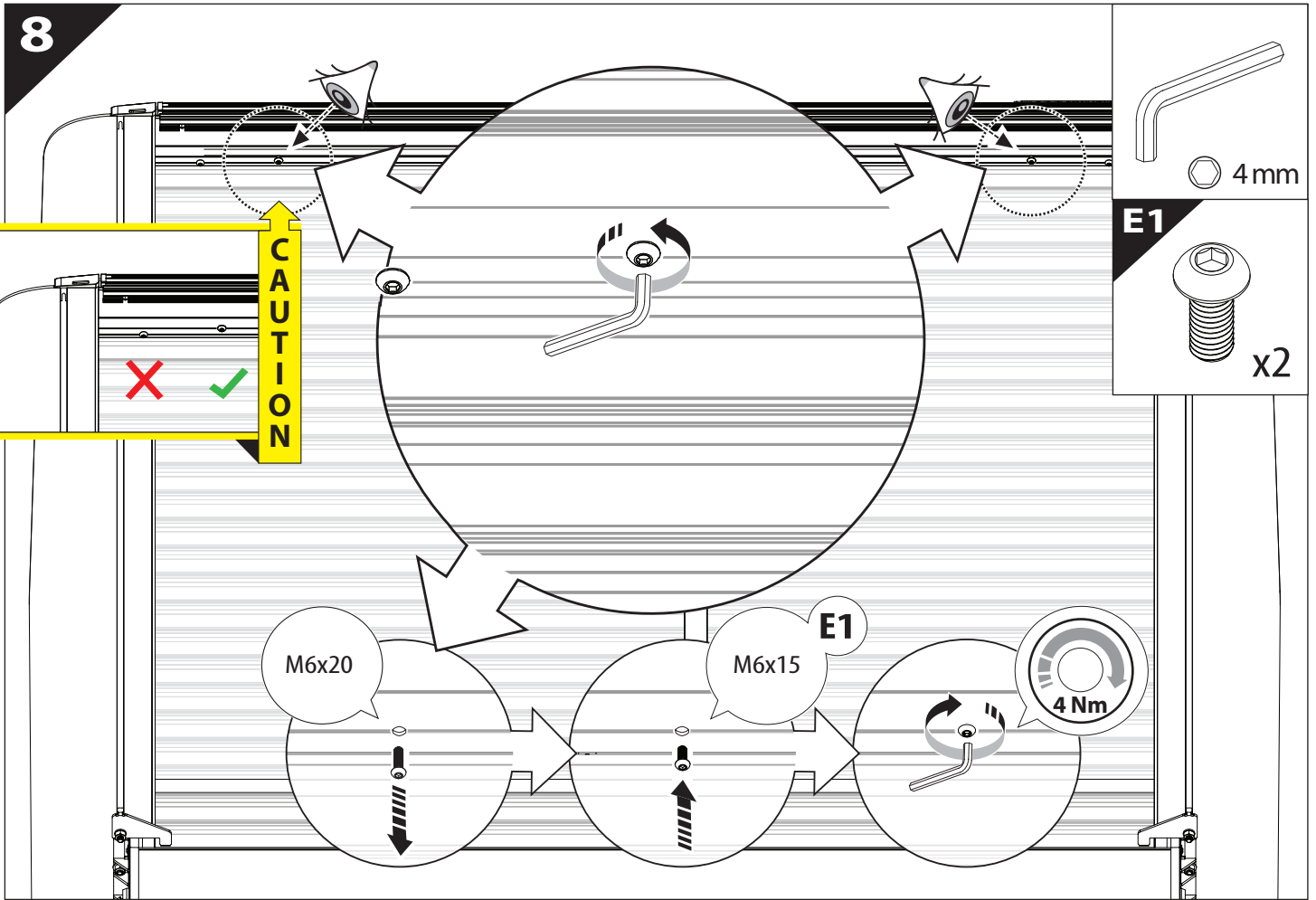
4





8

CAUTION

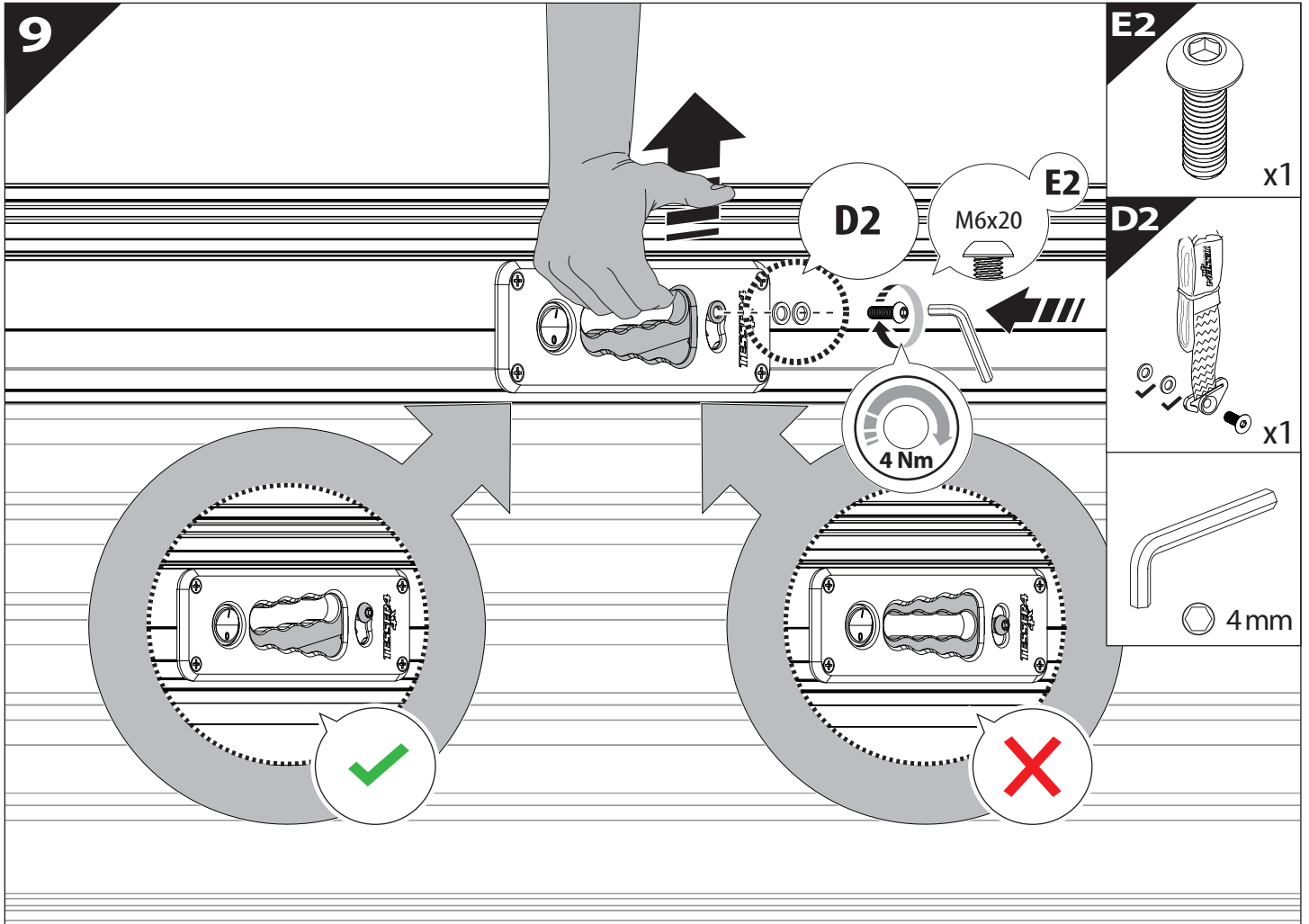


4 mm

E1

x2

9



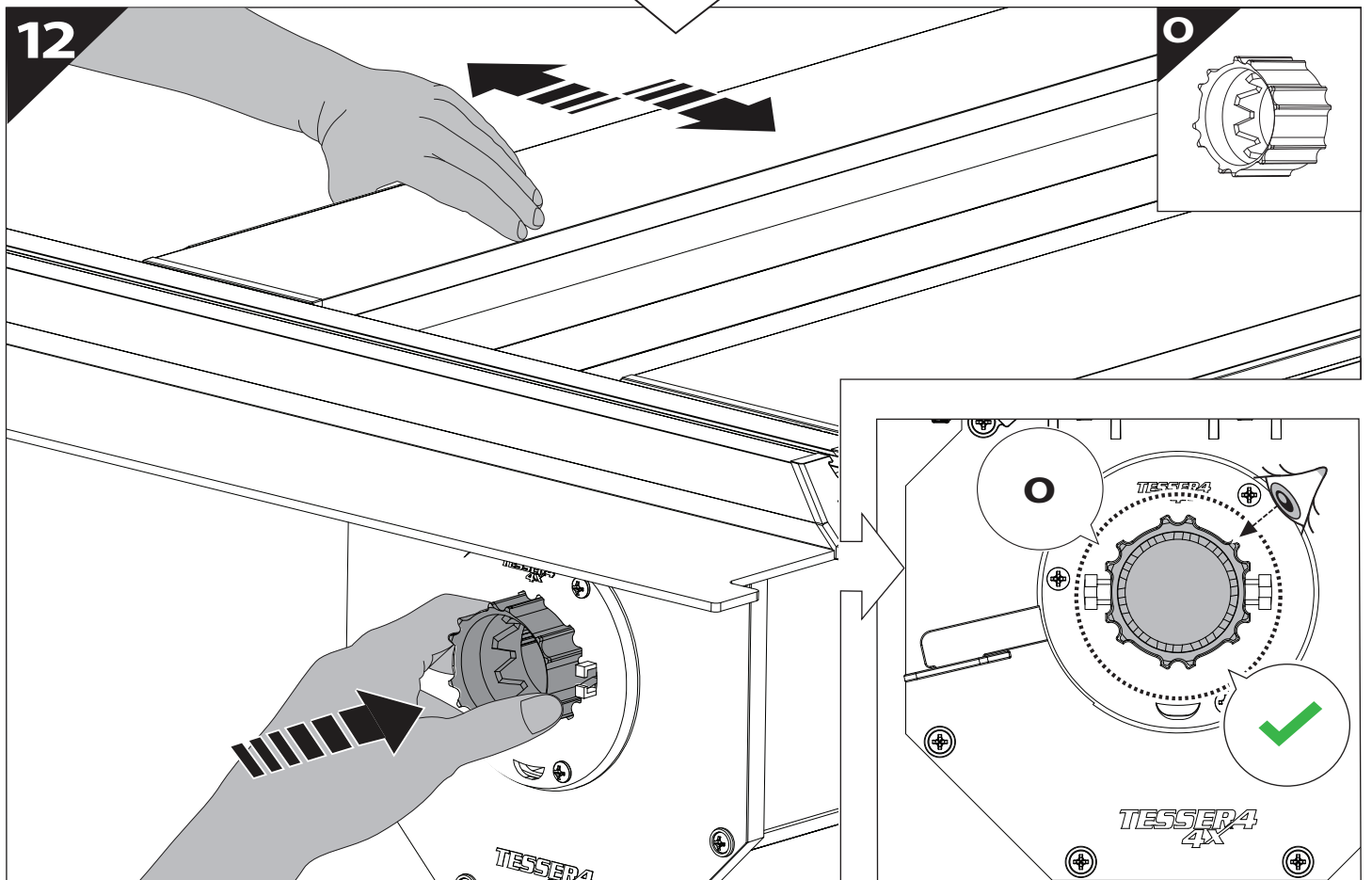
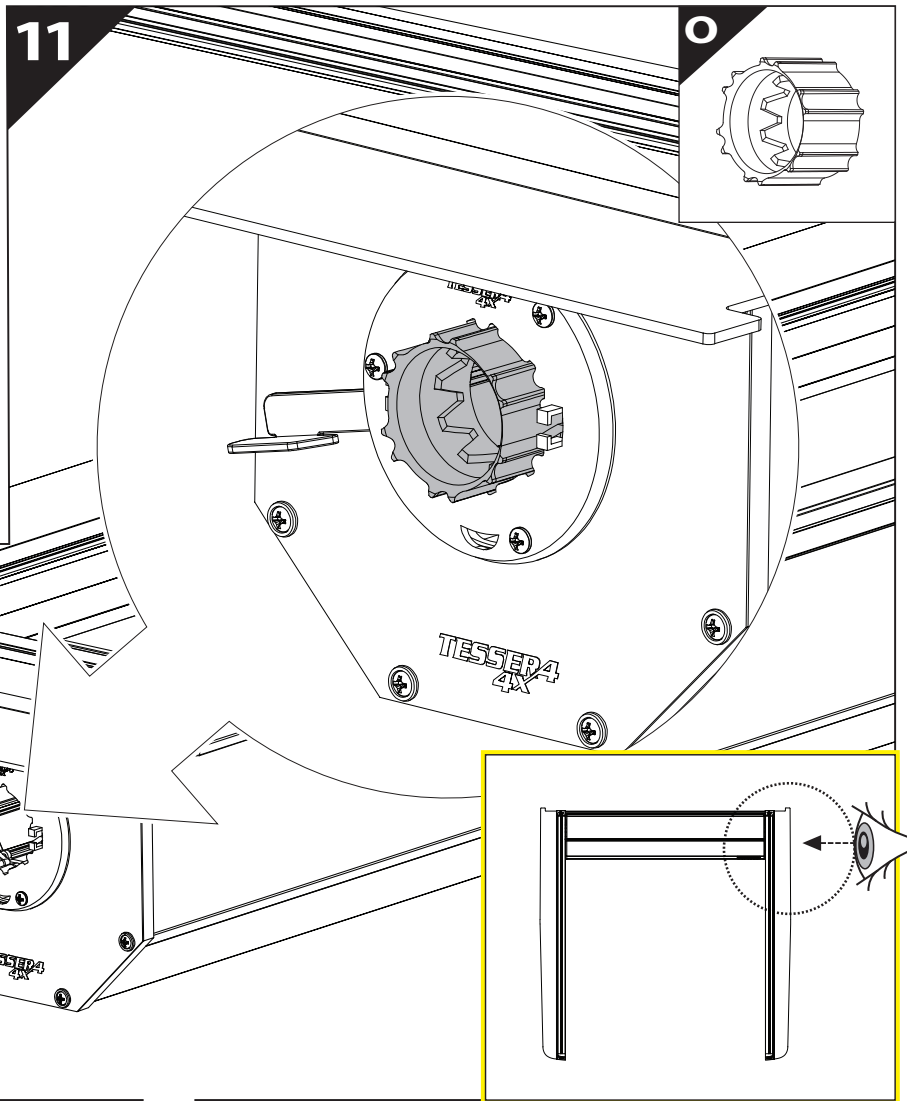
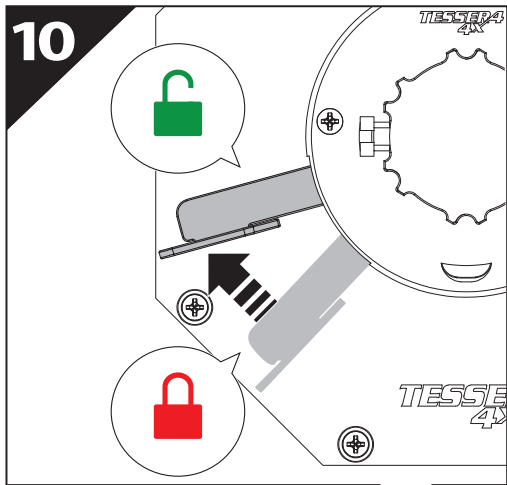
E2

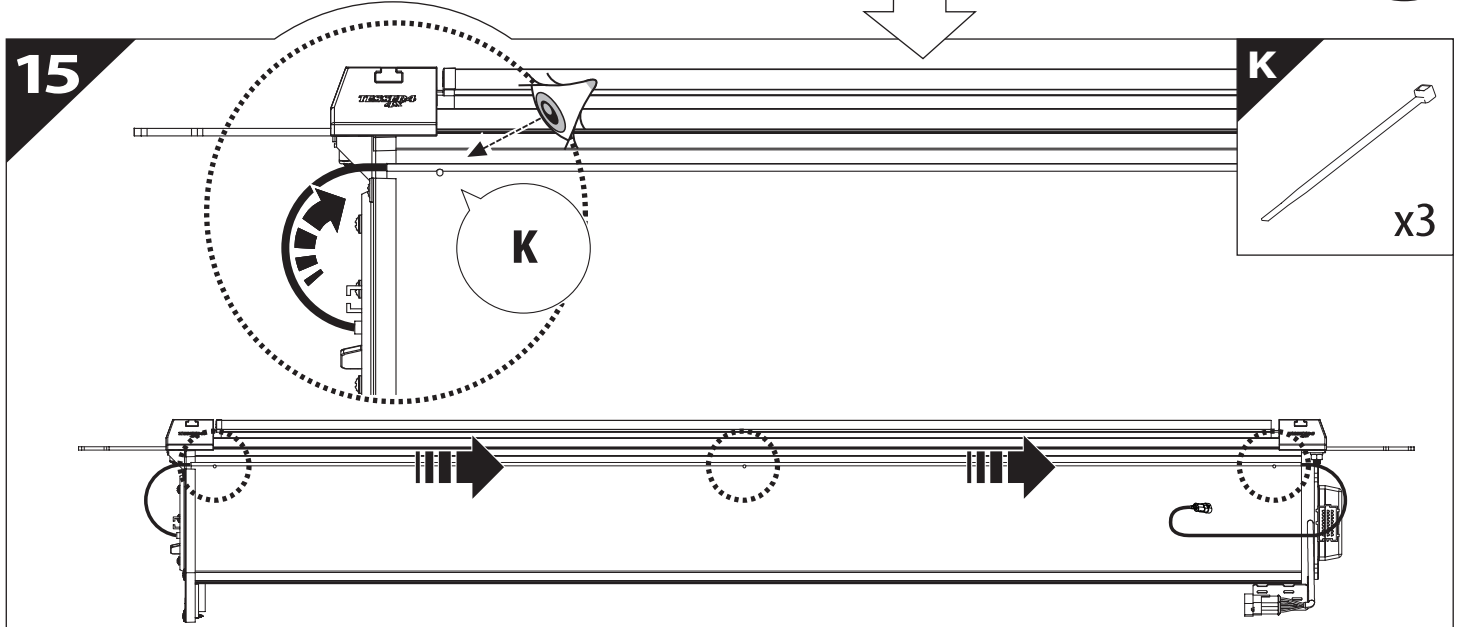
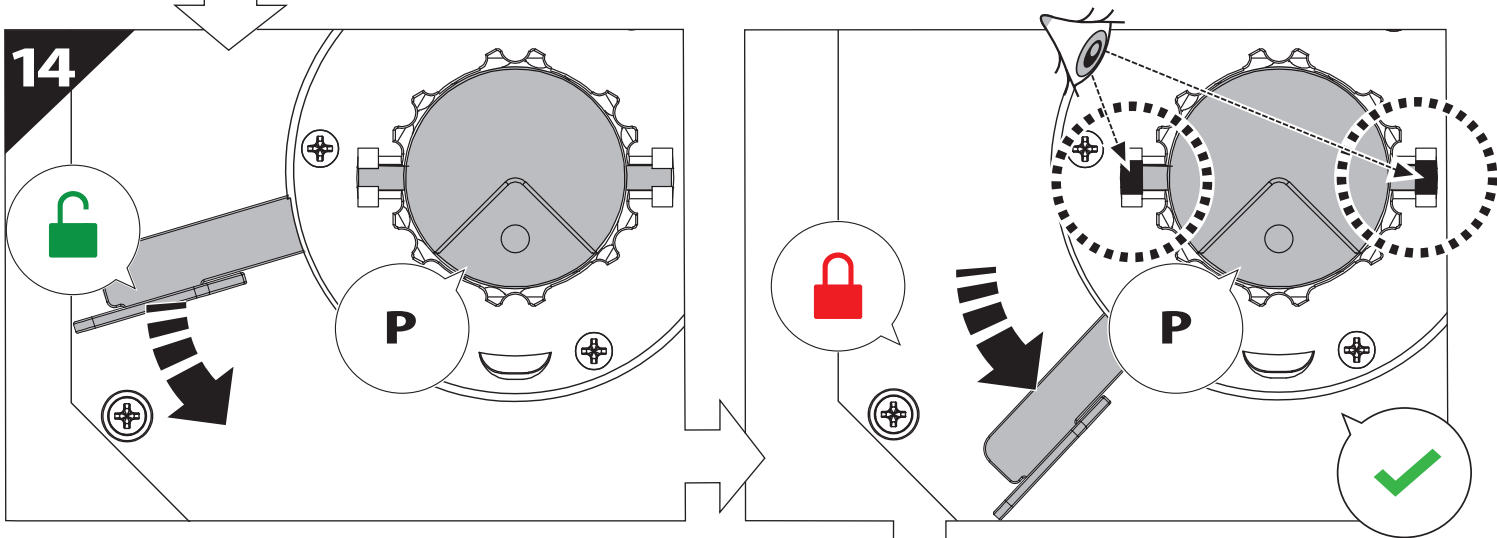
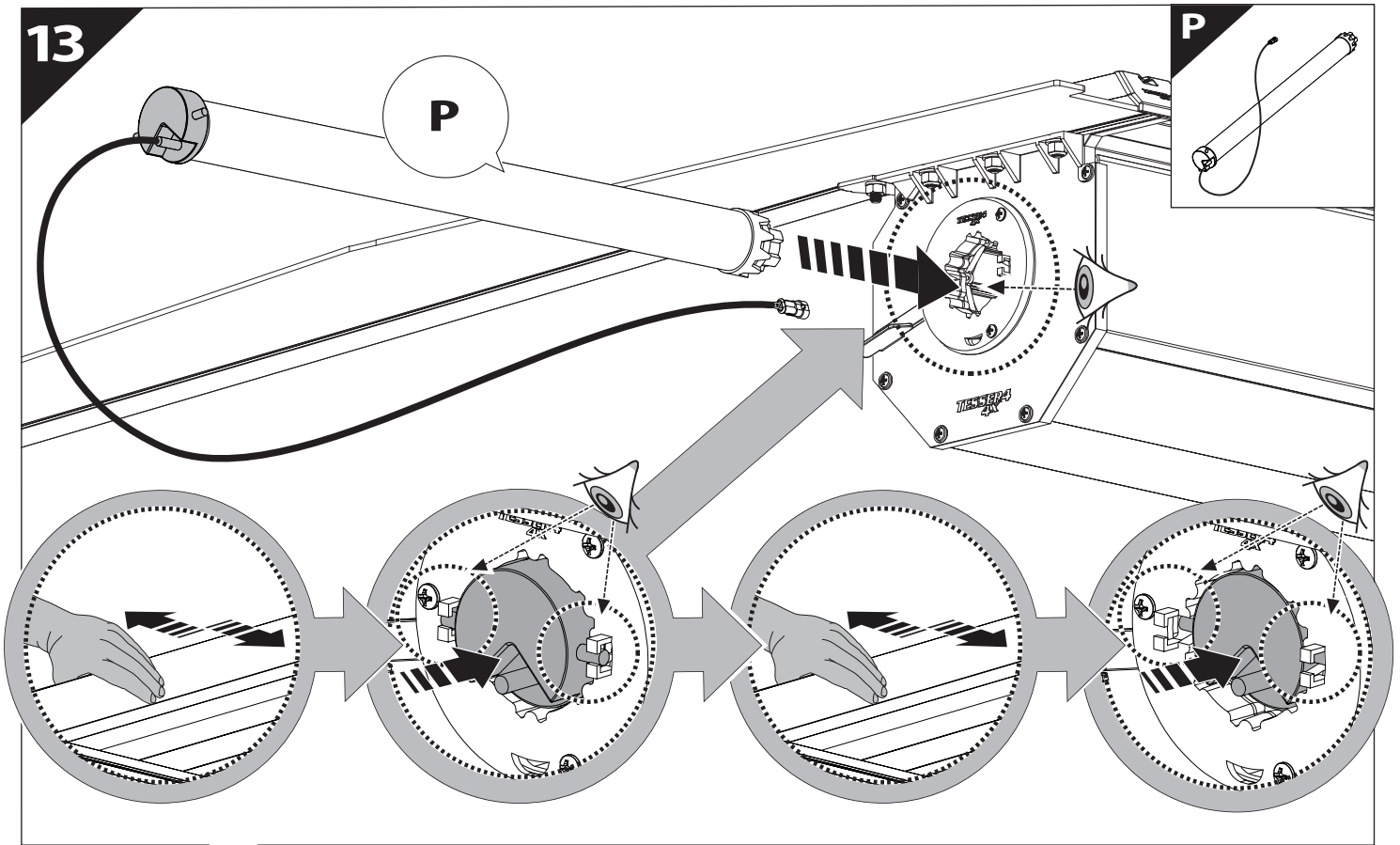
x1

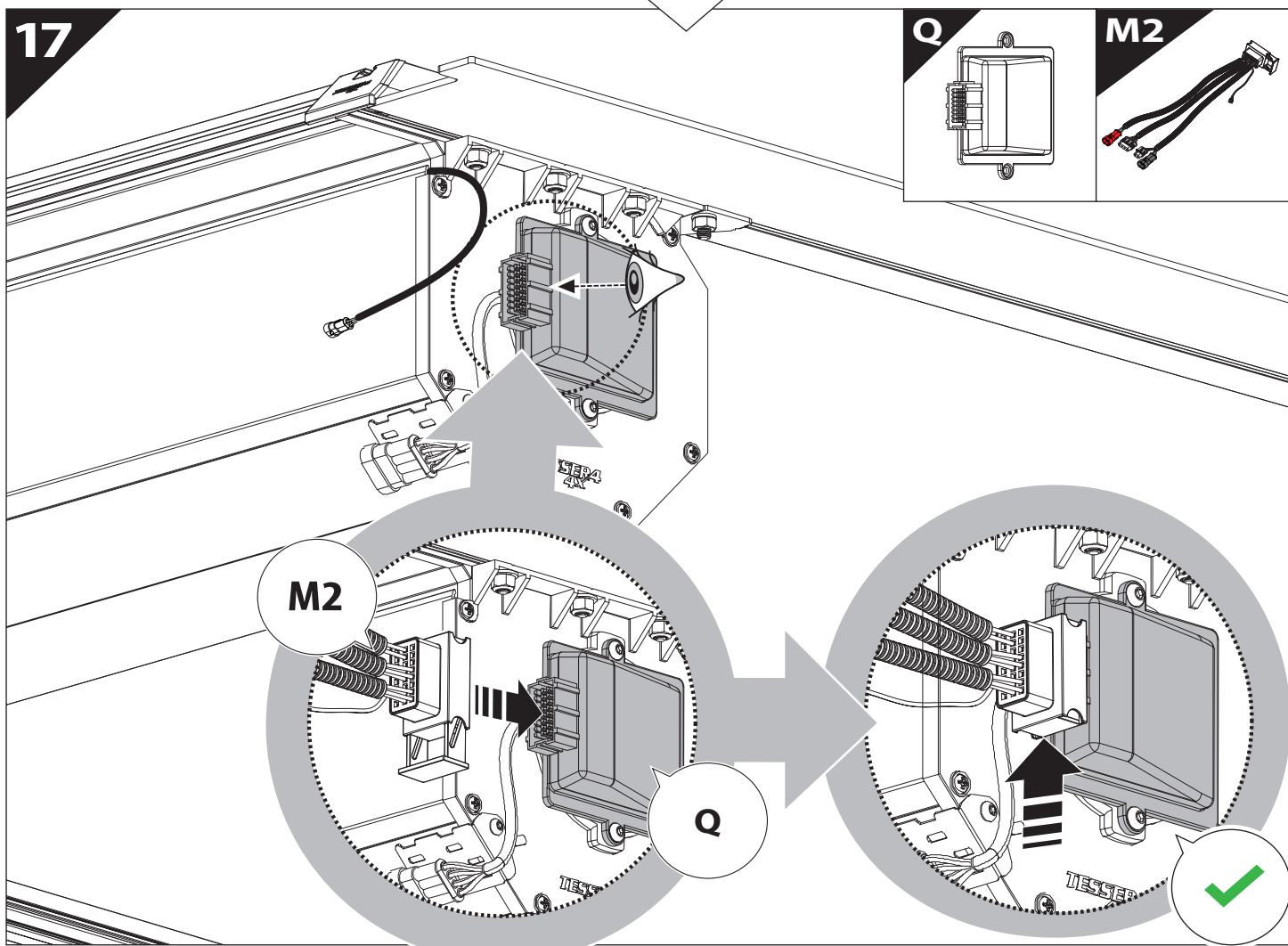
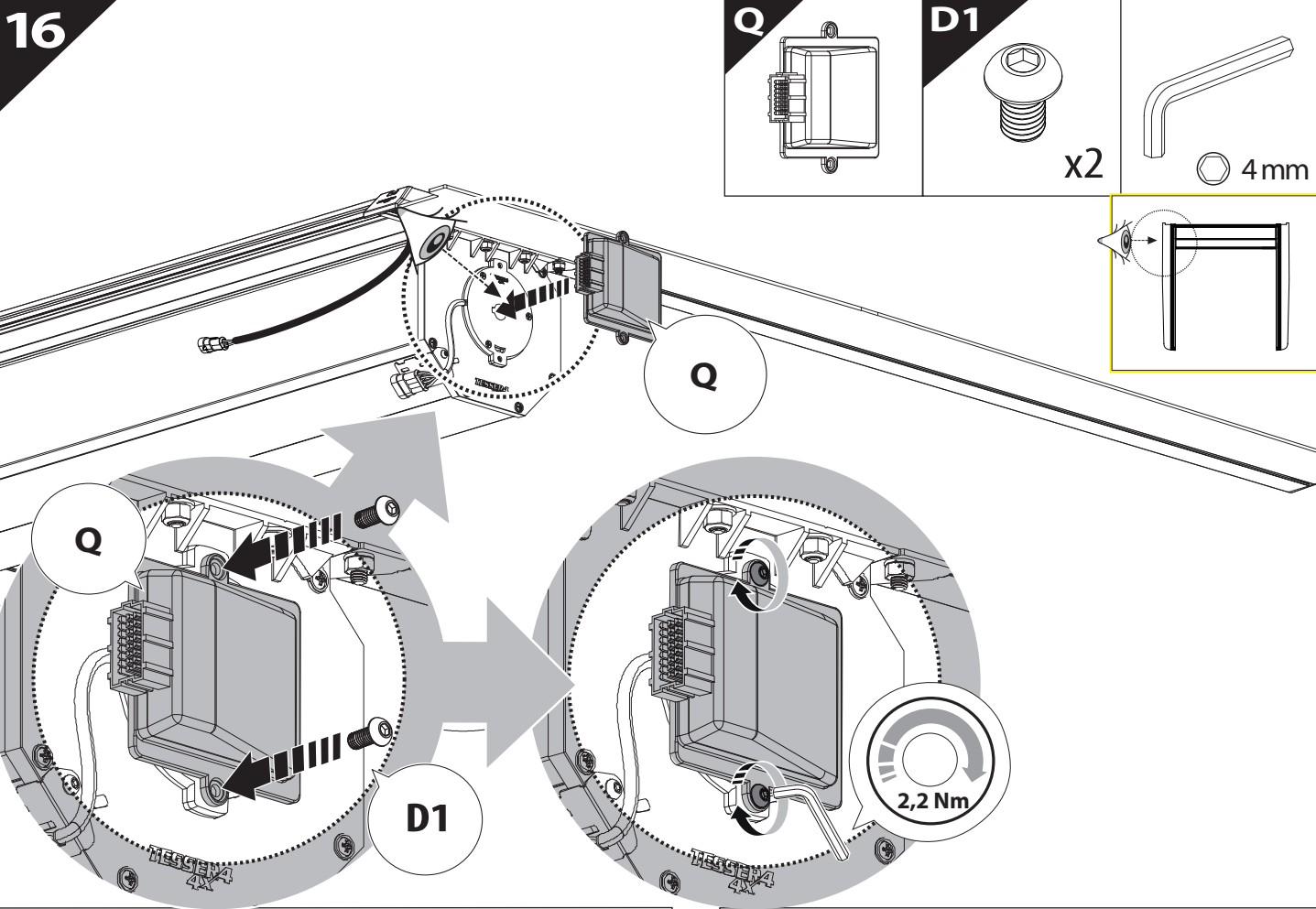
D2

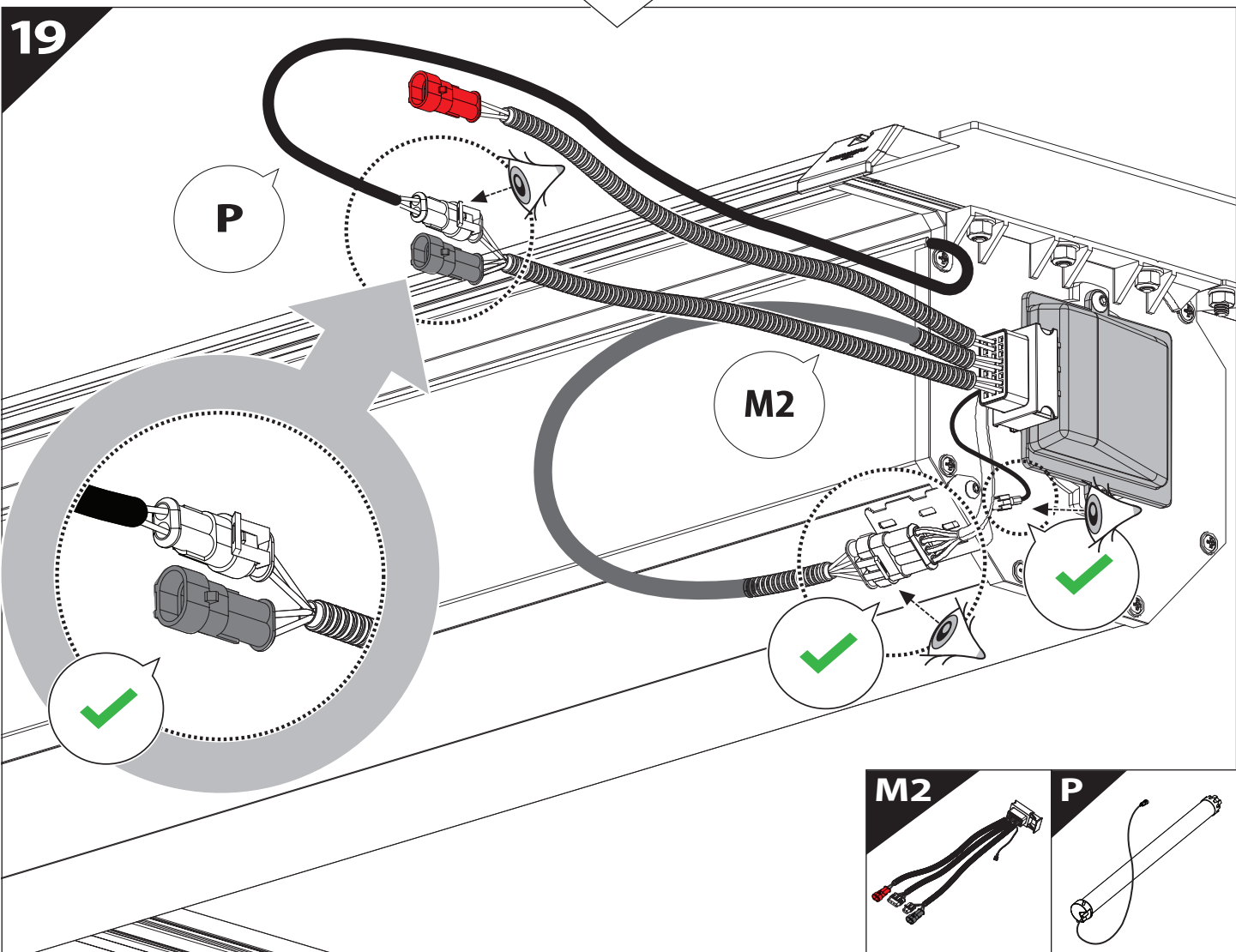
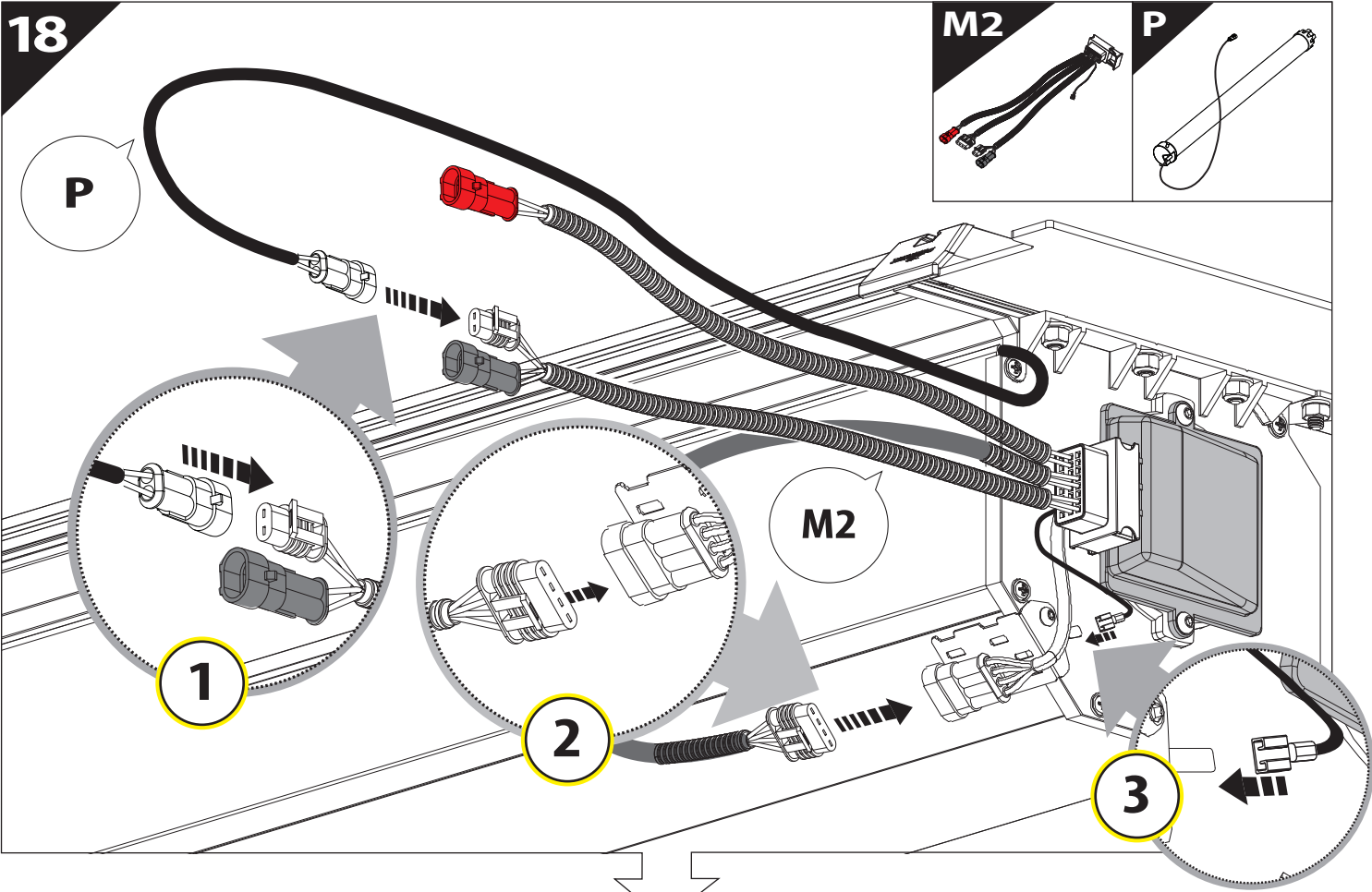
x1

4 mm



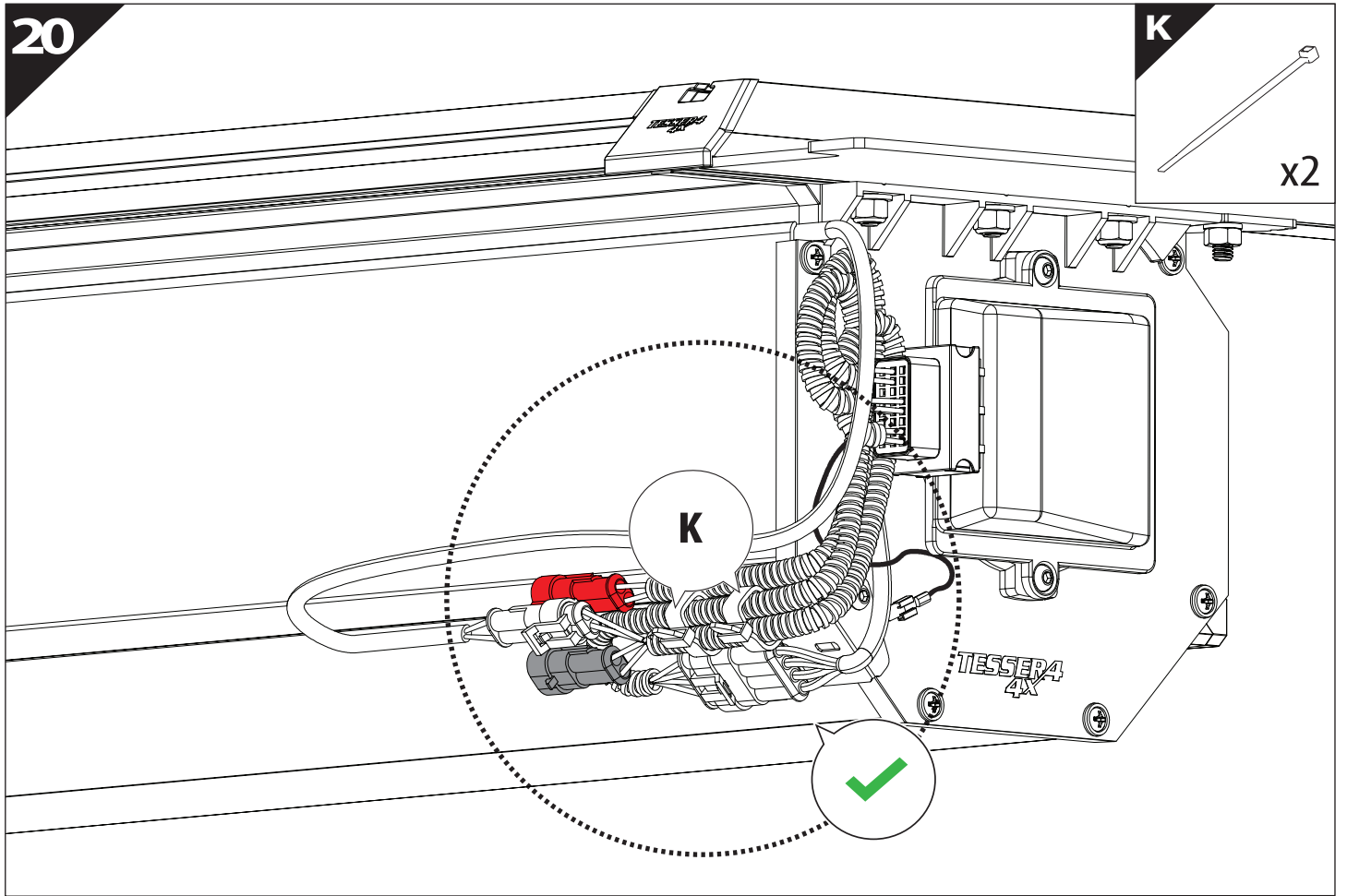


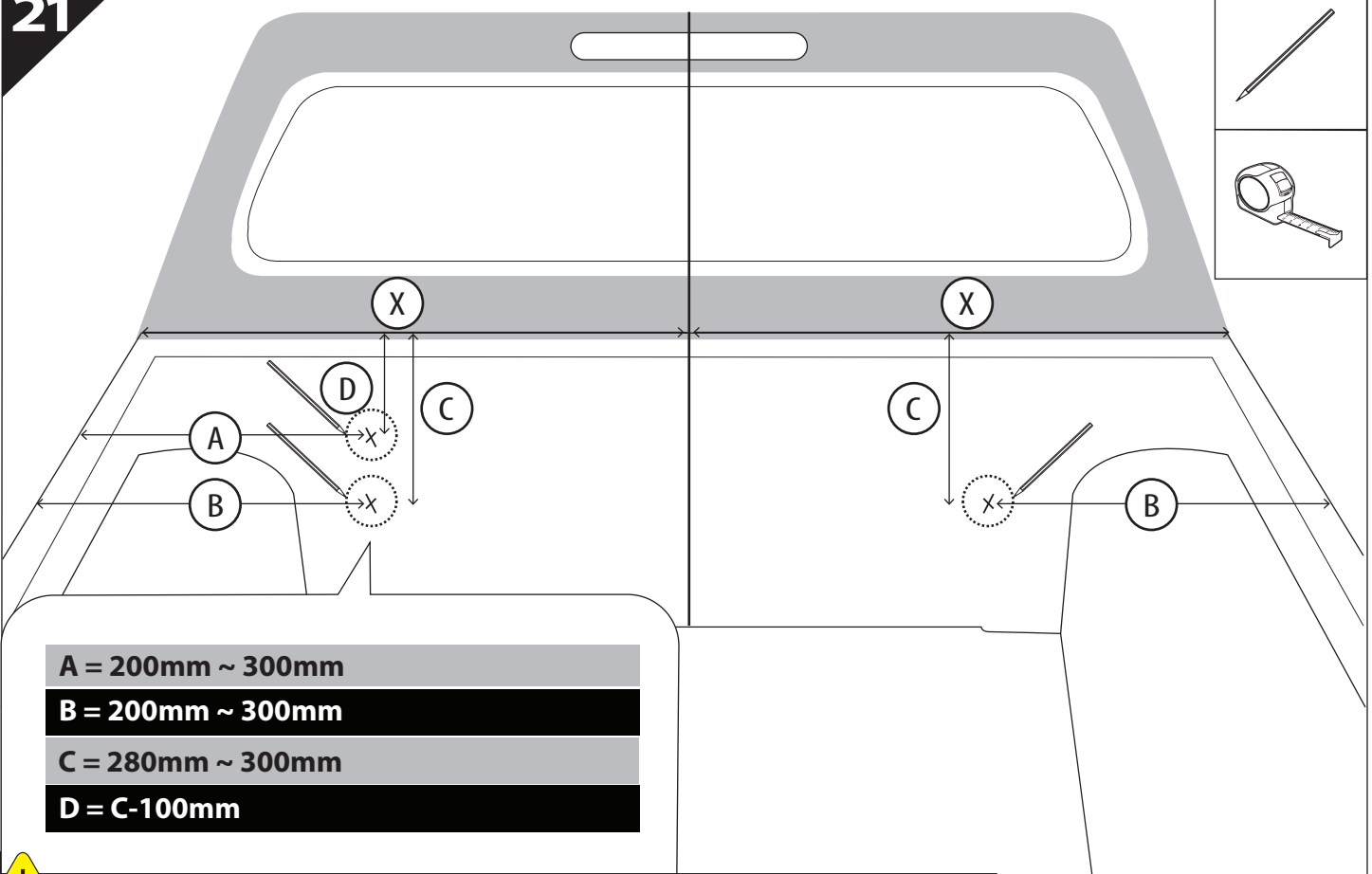
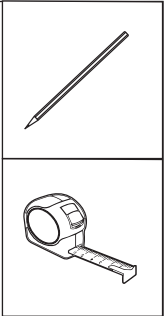




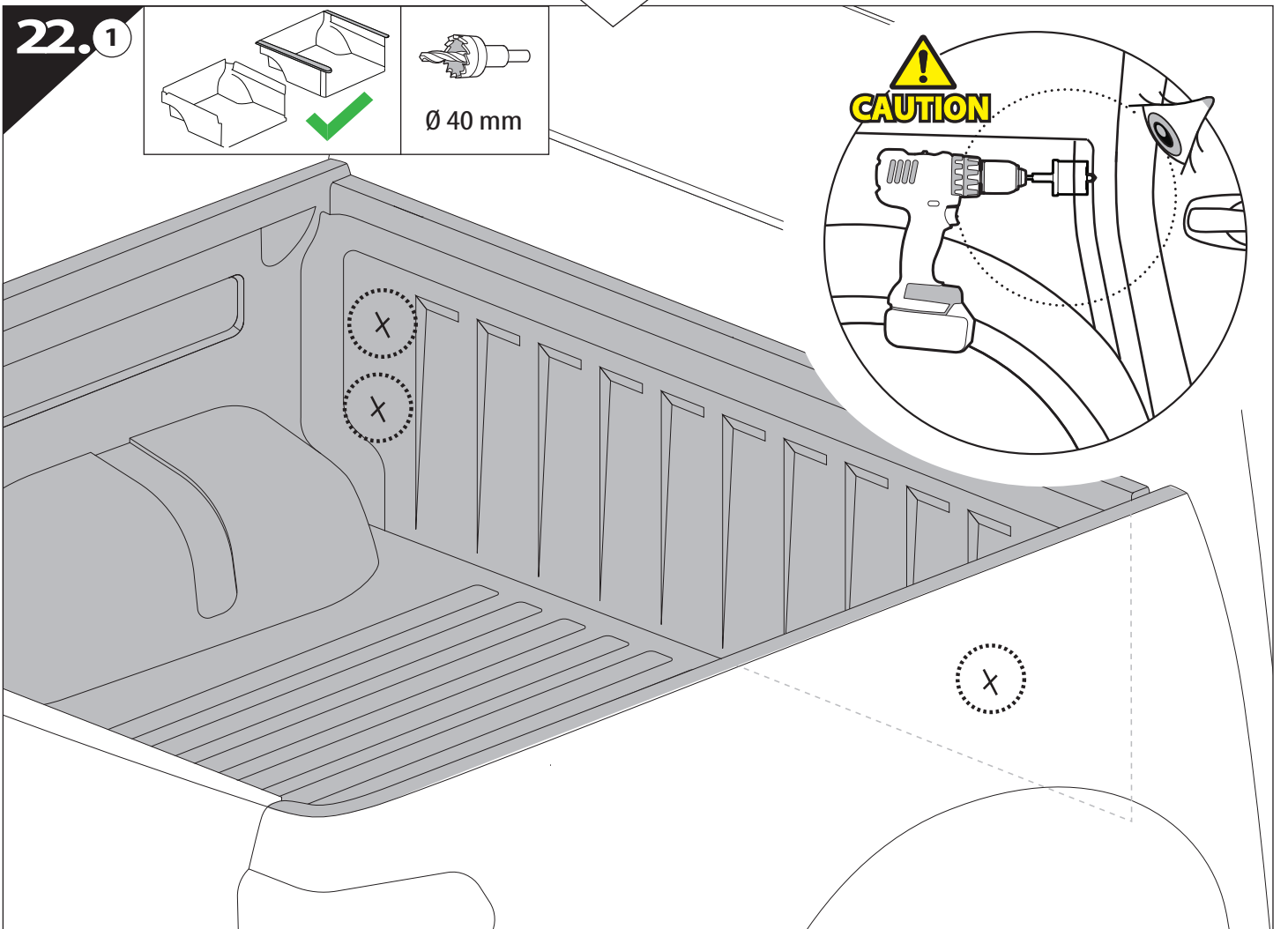
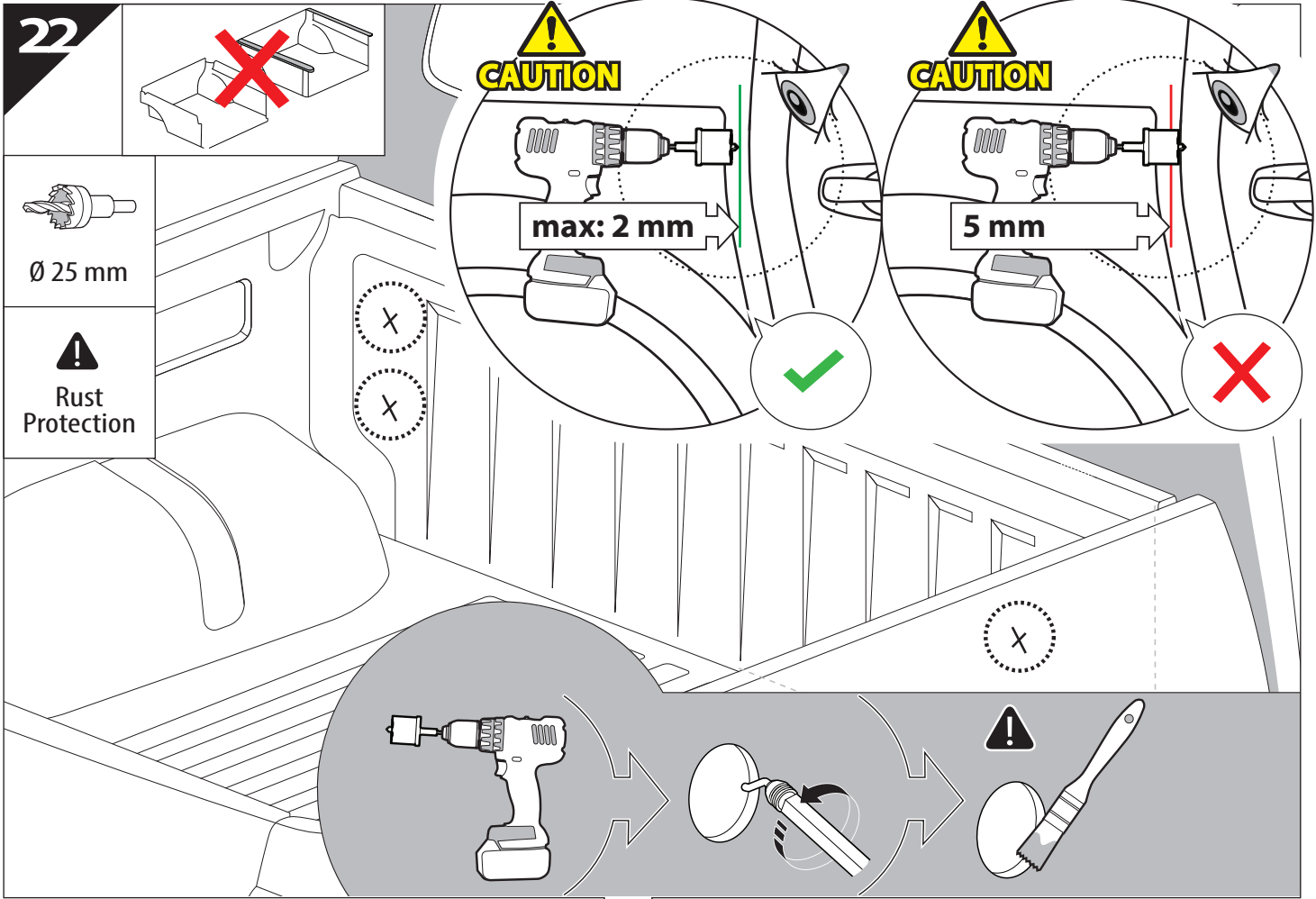
20

K

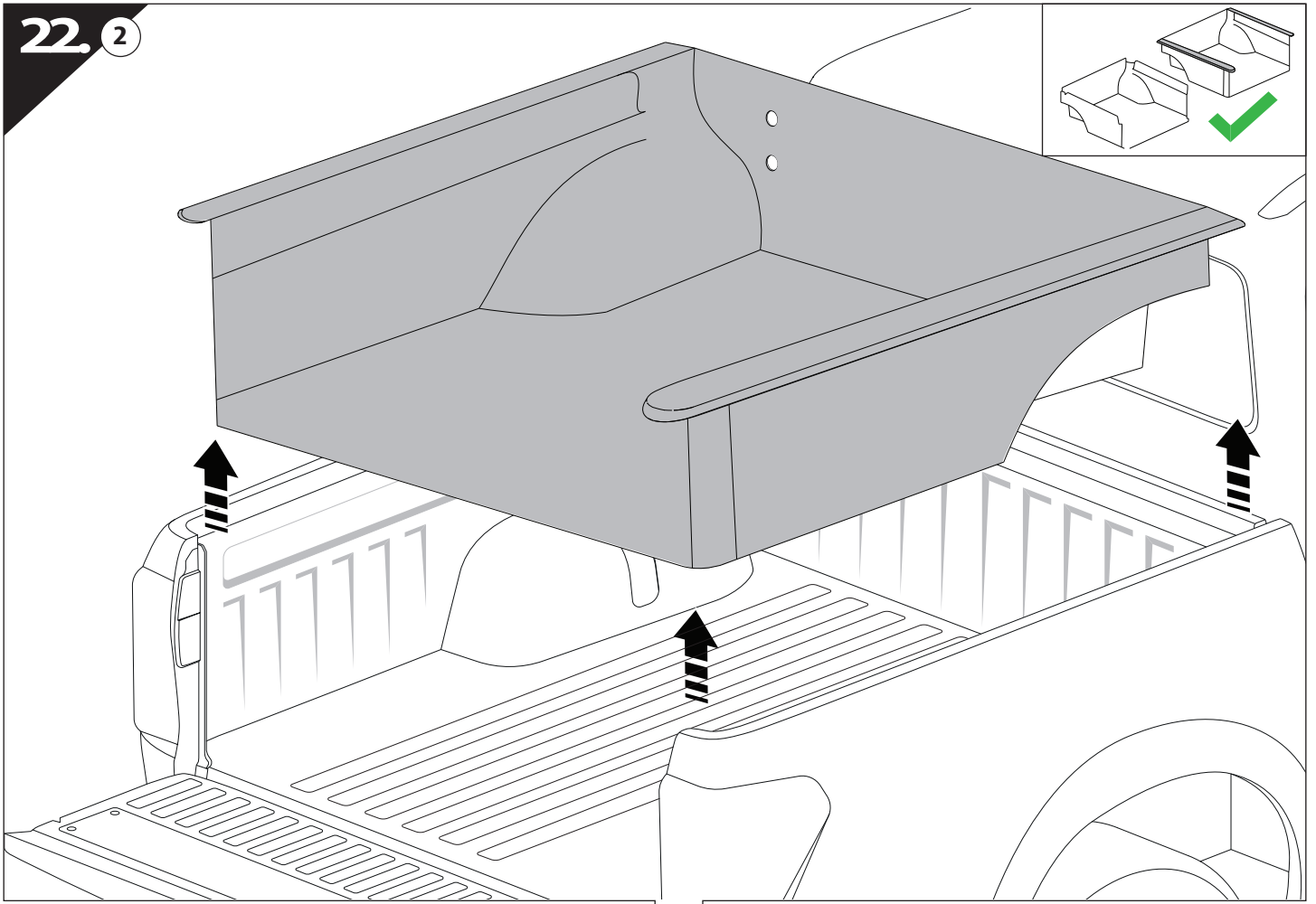




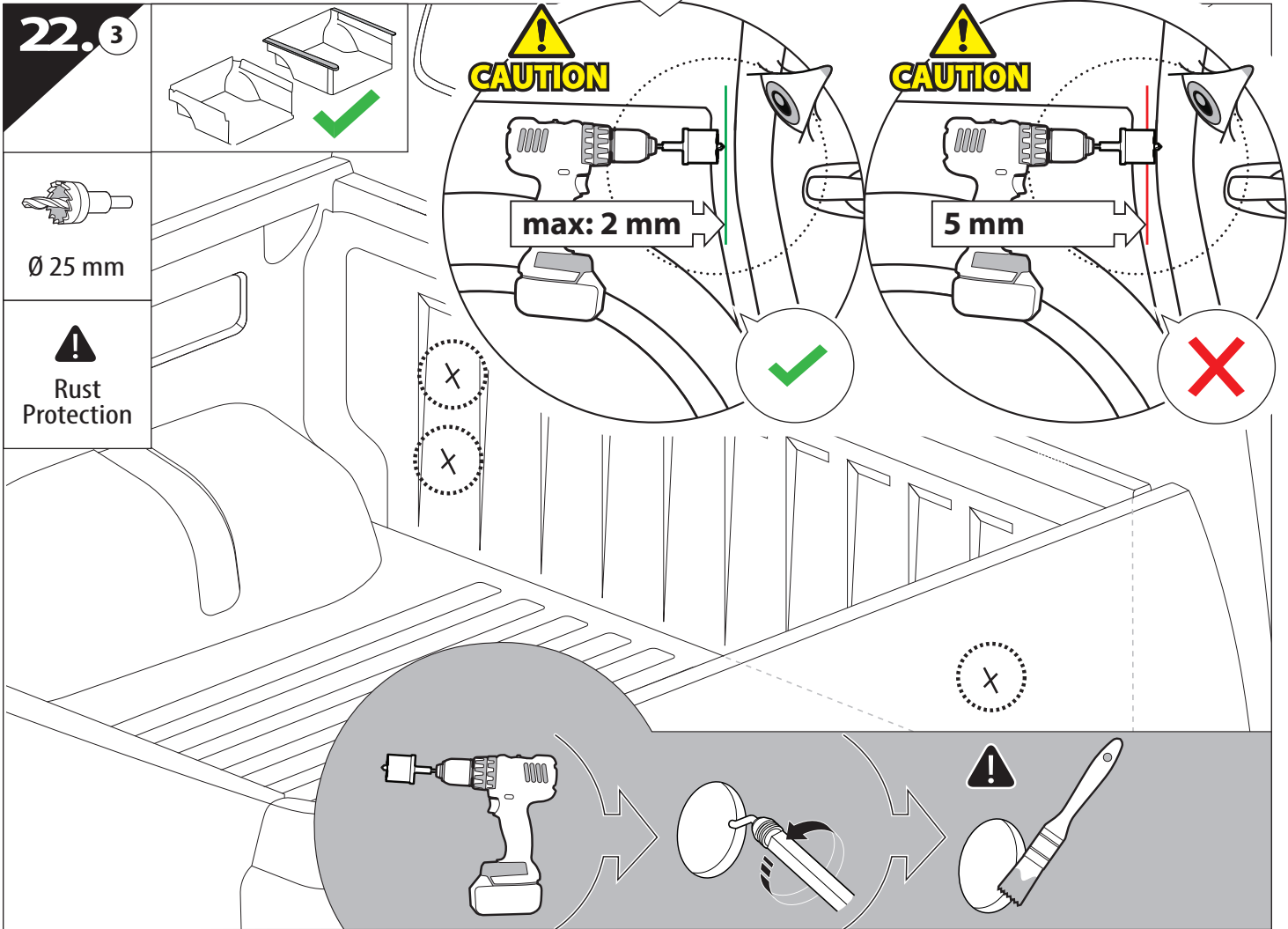
! TRY TO FIND FREE & STRAIGHT SPOTS IN THESE DIMENSIONS ACCORDINGLY

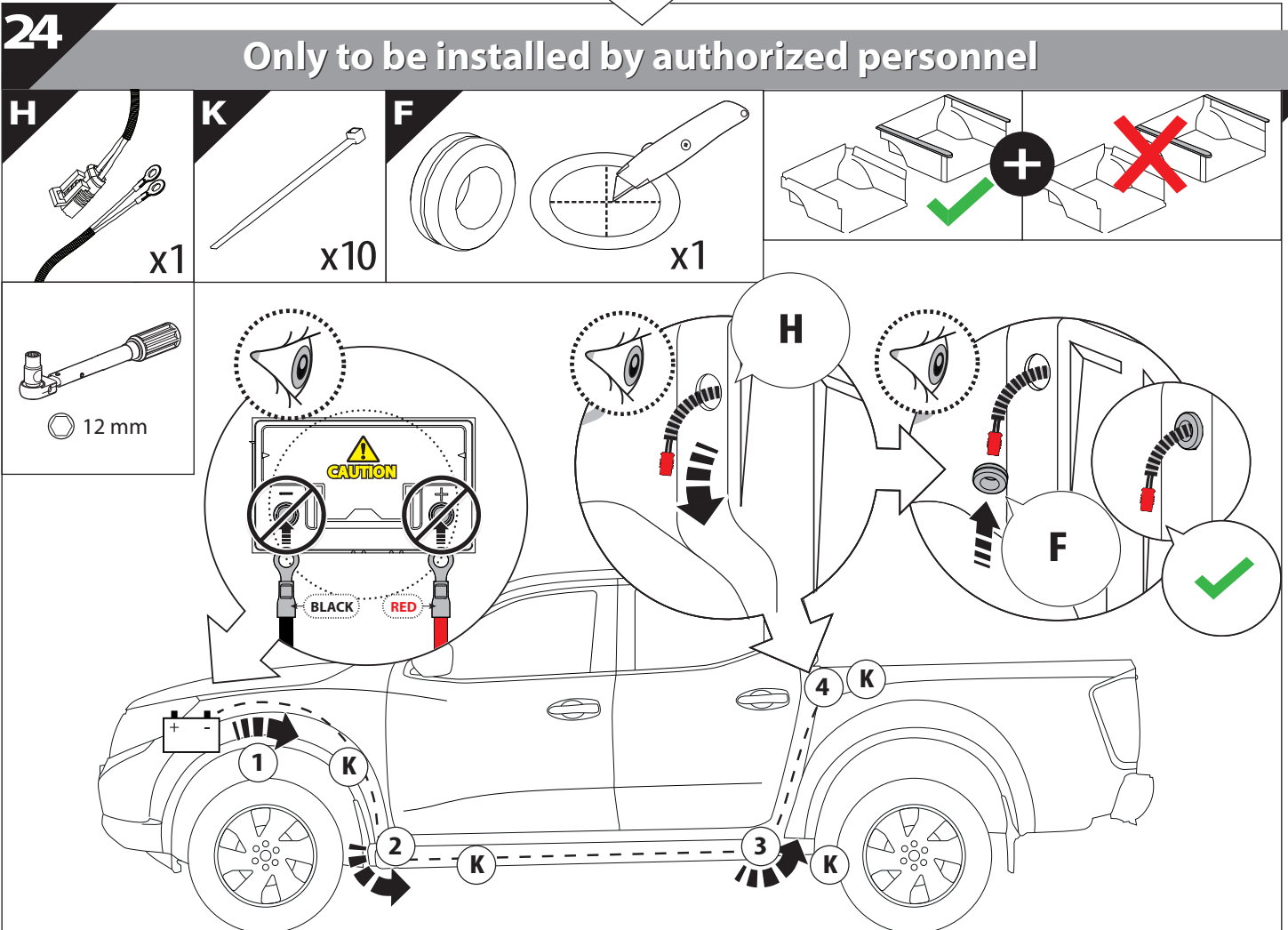
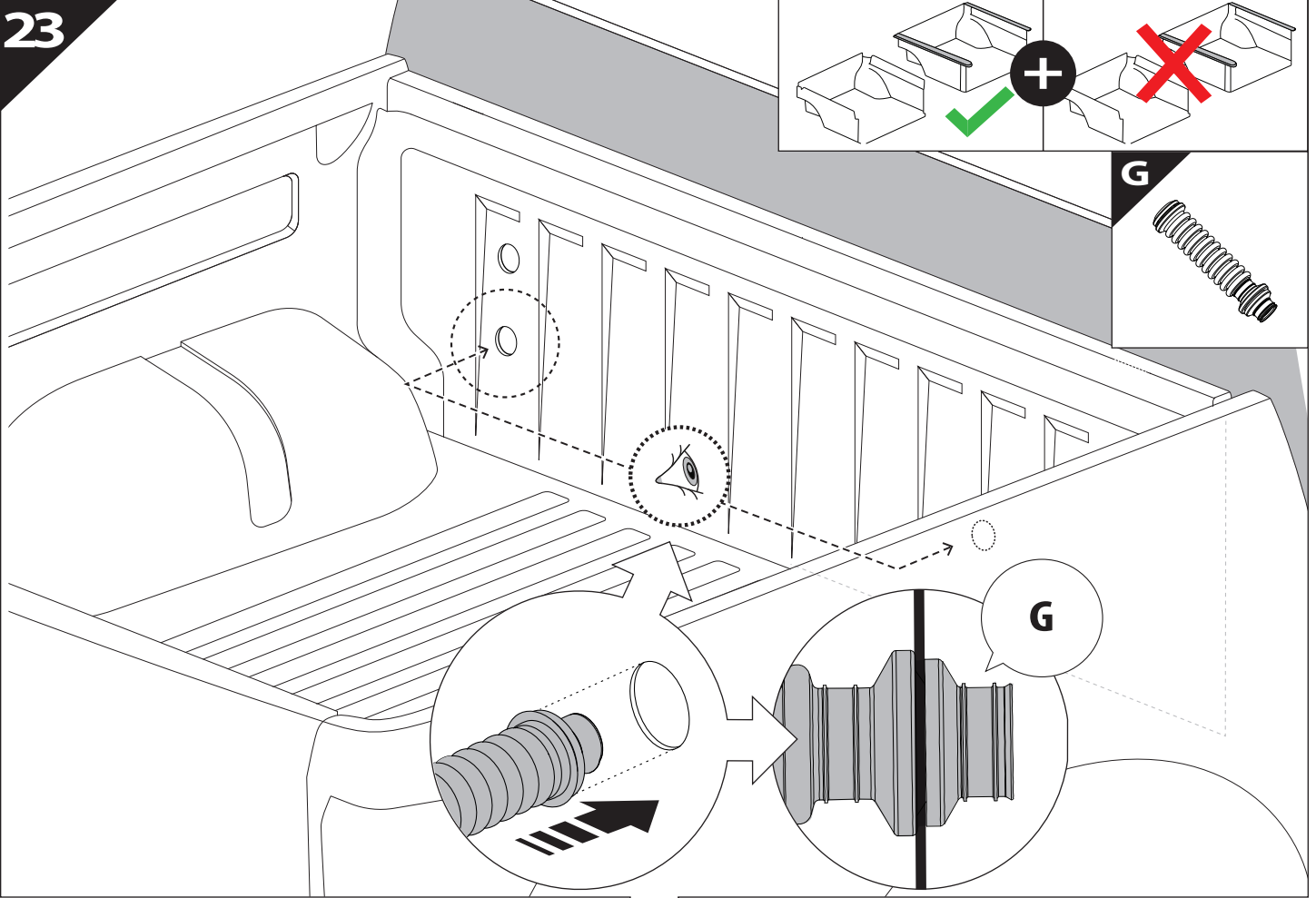


22.2

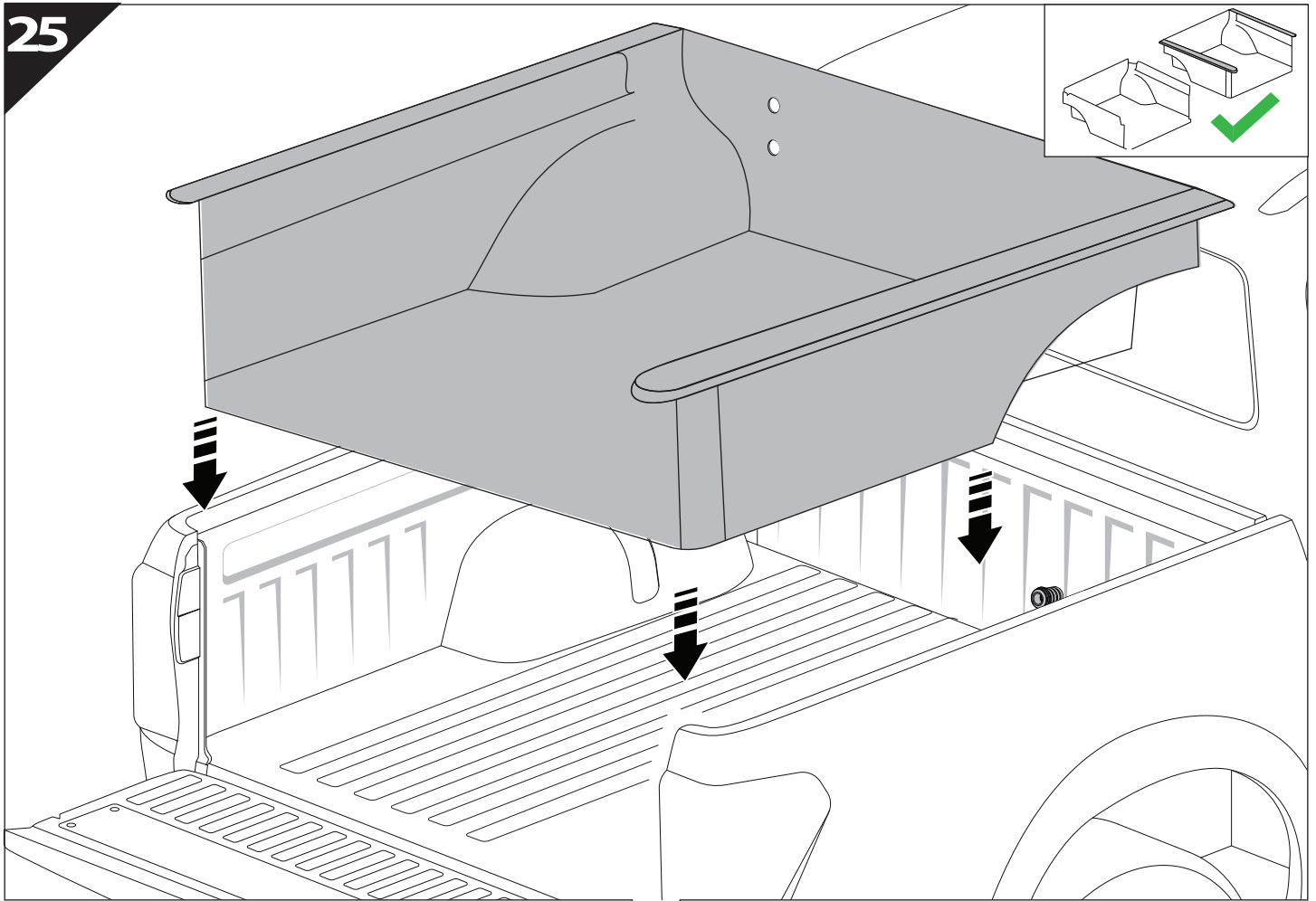


22.3

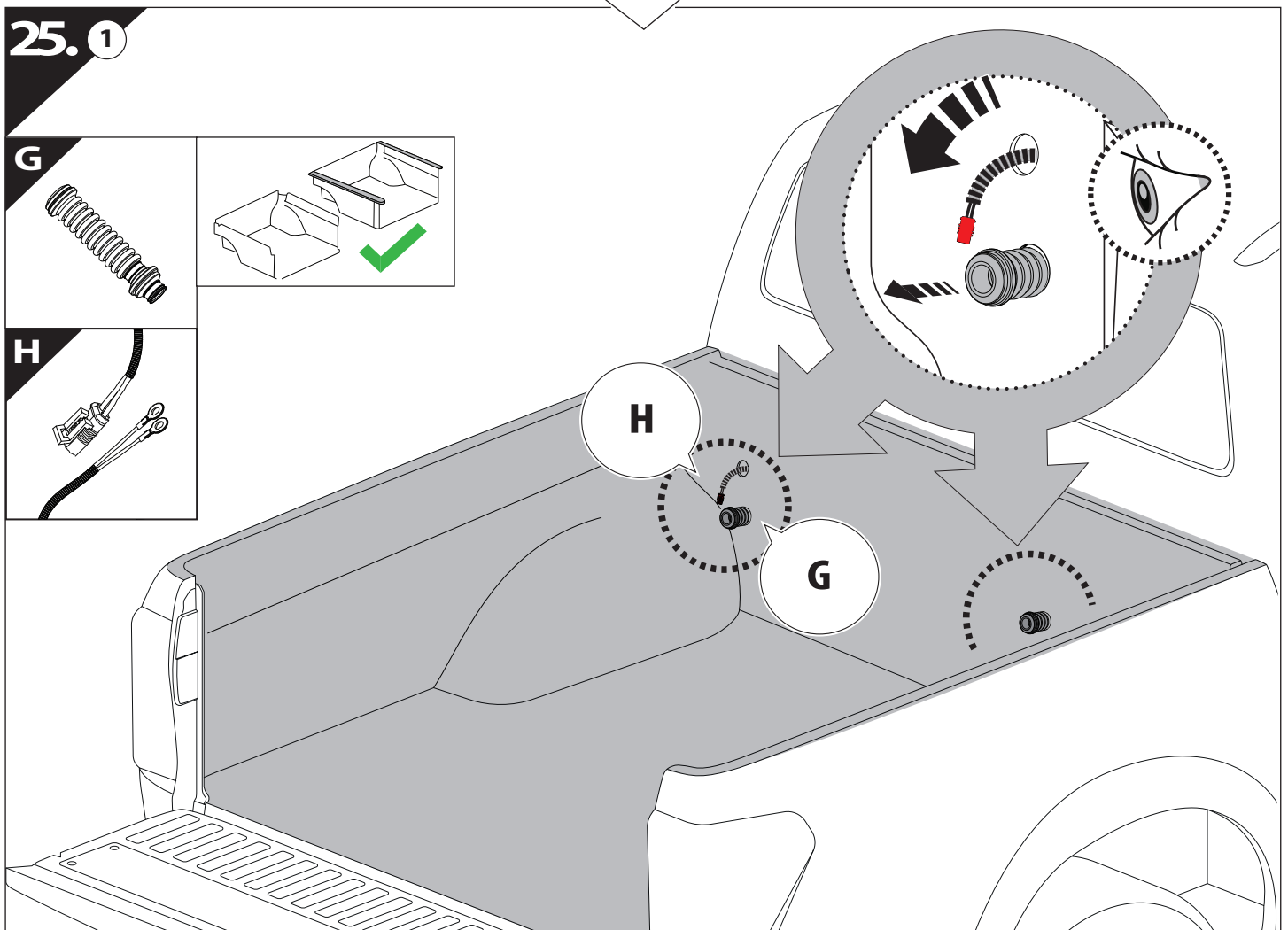




25

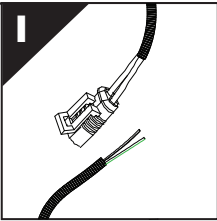


25.1

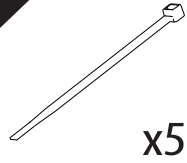


26

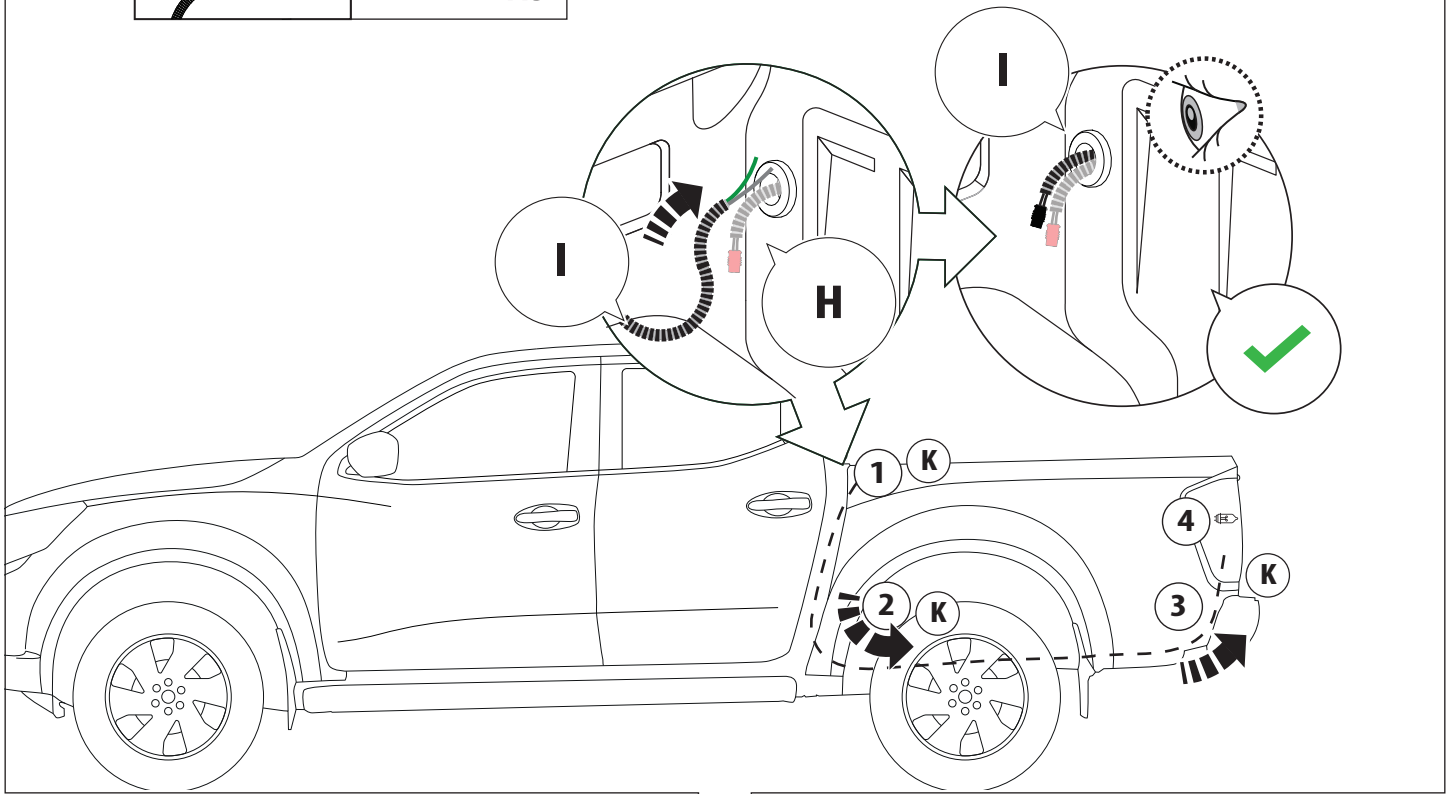
I



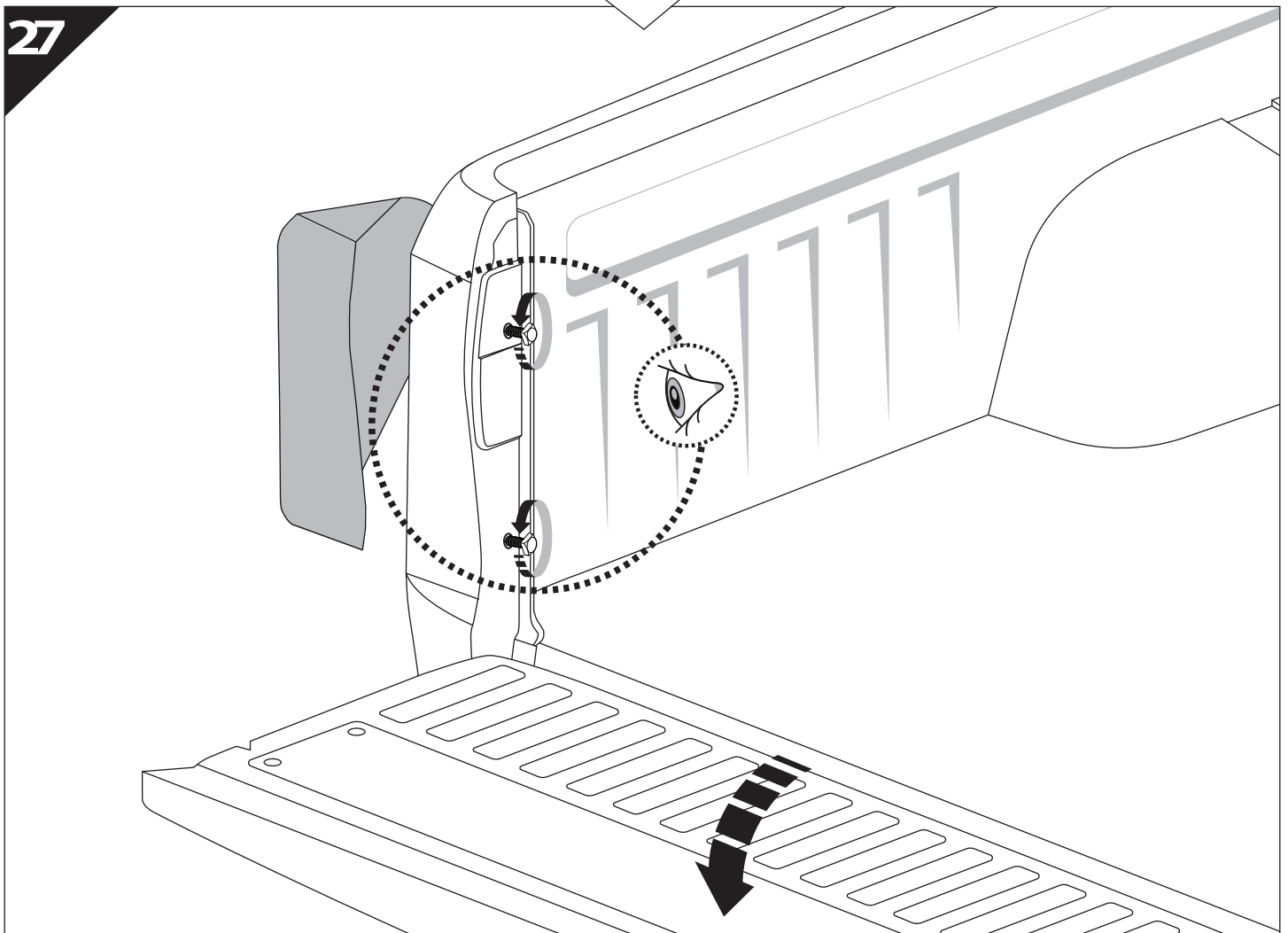
K



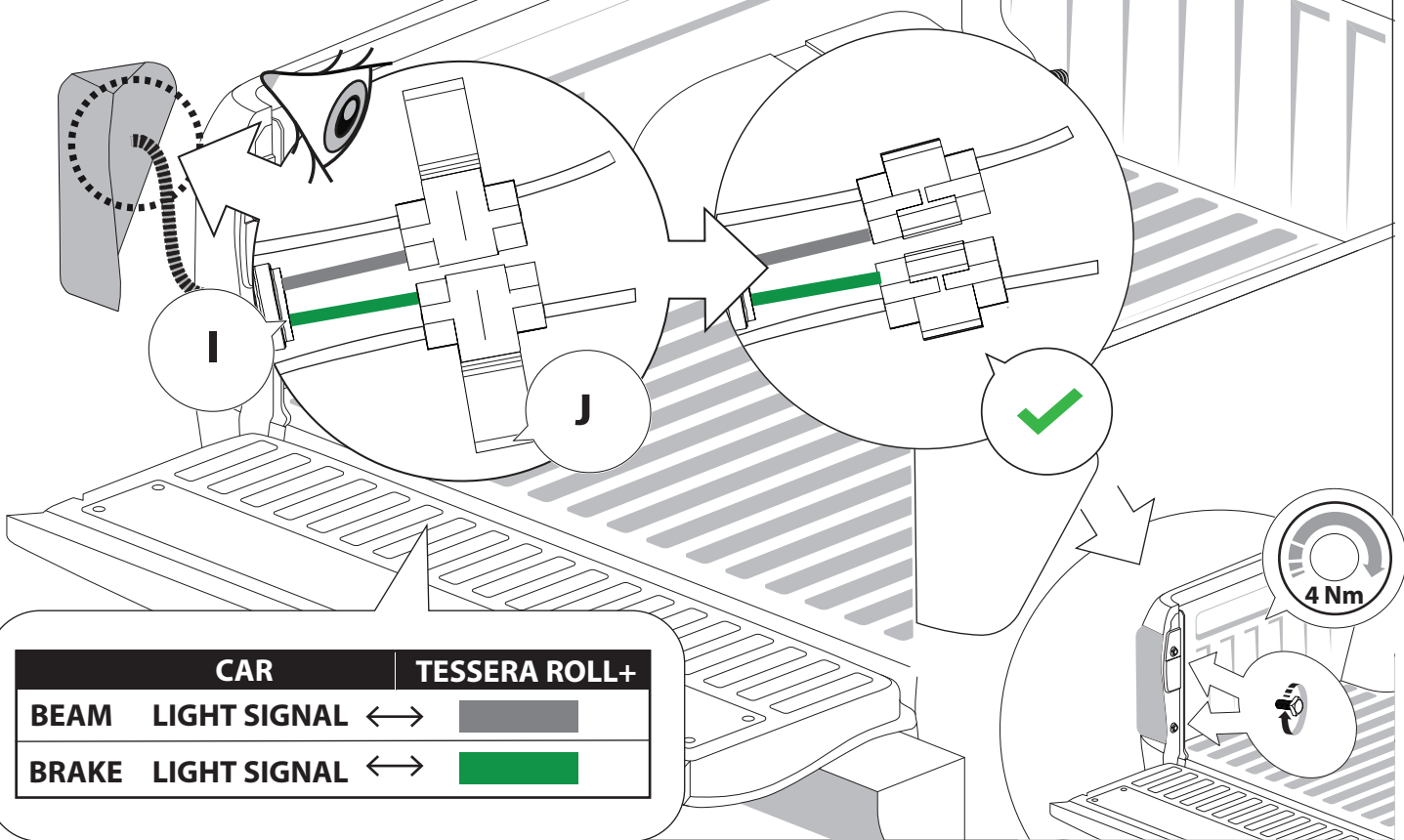
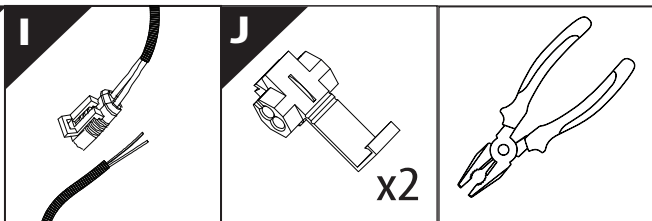
x5





27

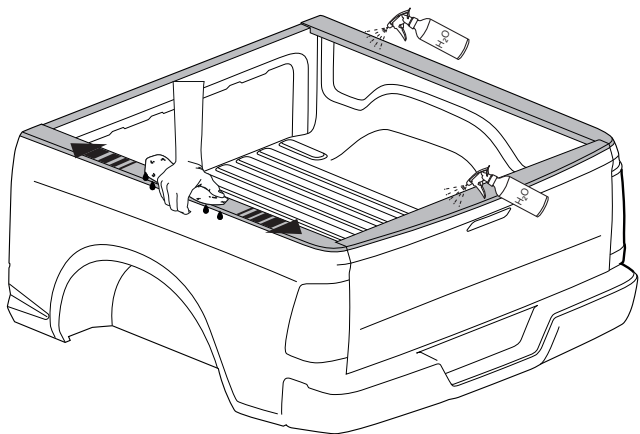
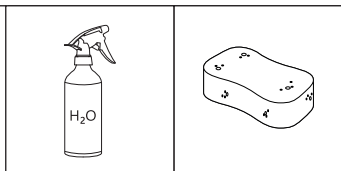


28

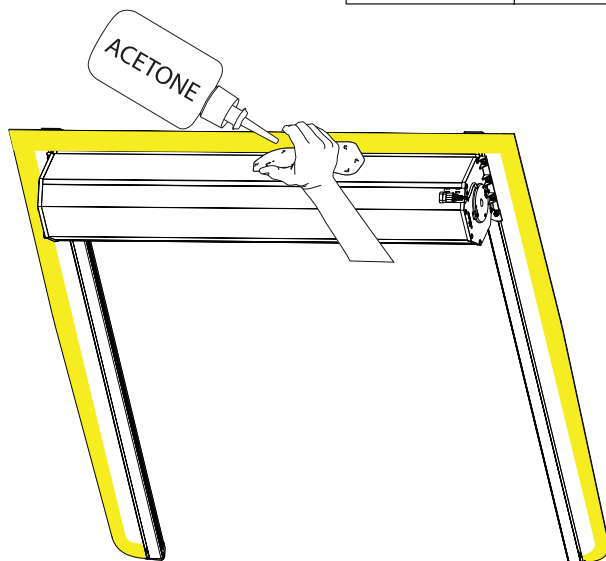
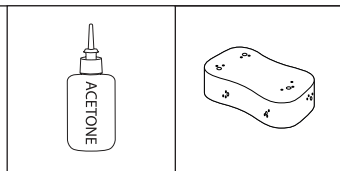


	CAR	TESSERA ROLL+
BEAM	LIGHT SIGNAL ↔	
BRAKE	LIGHT SIGNAL ↔	

29

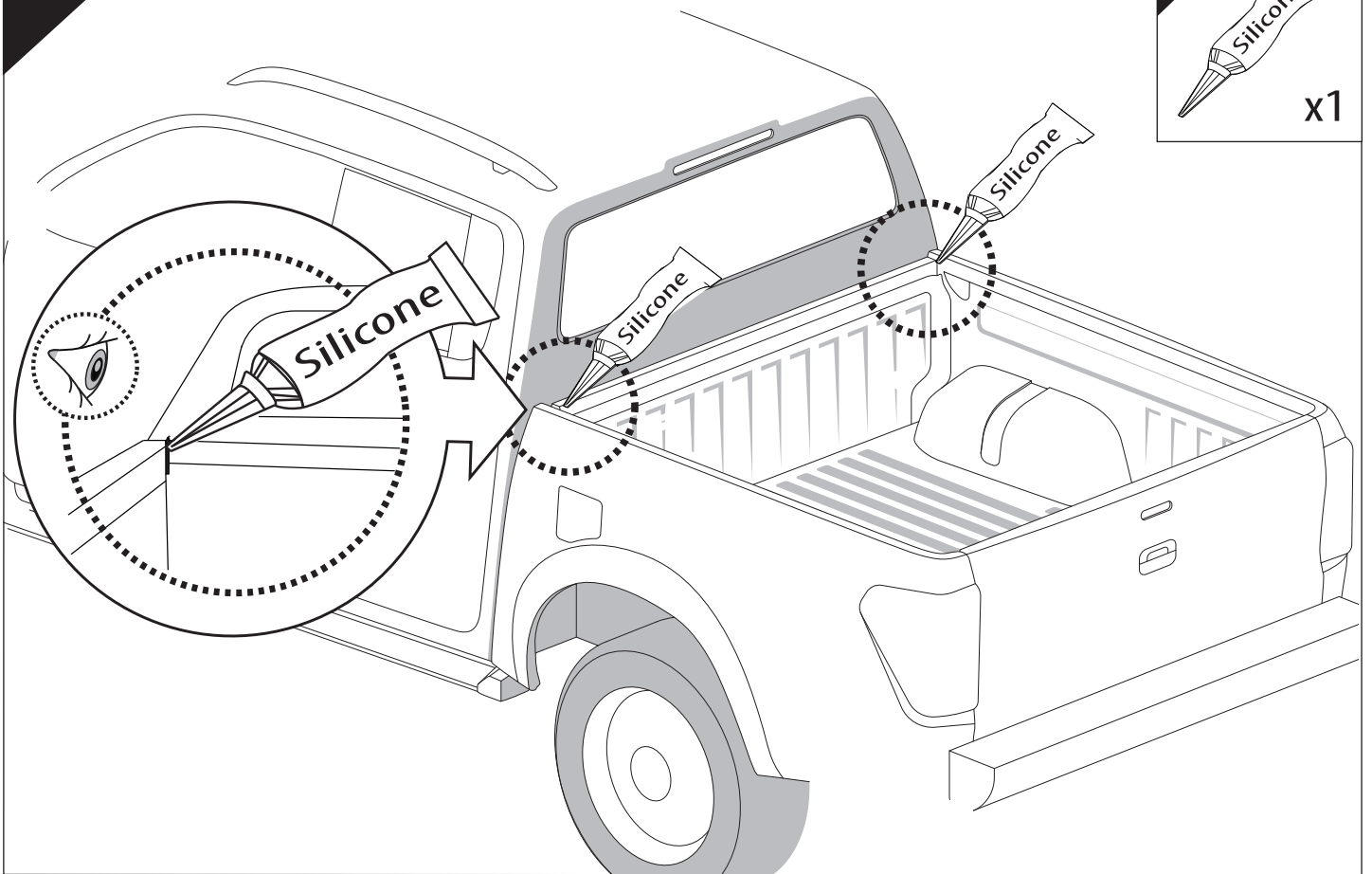


30



30. 1

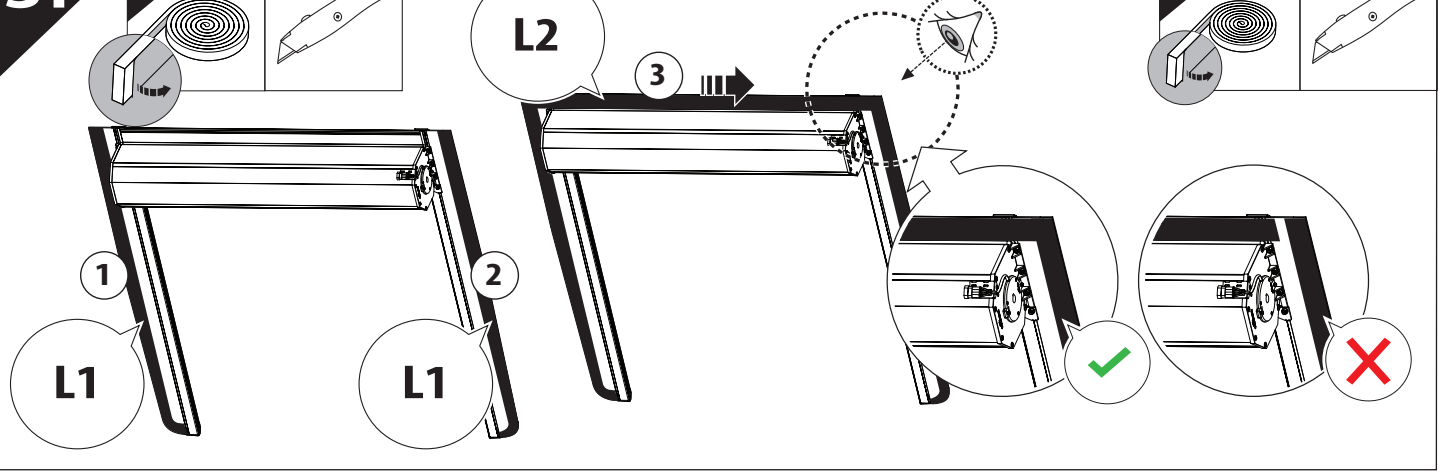
R



31

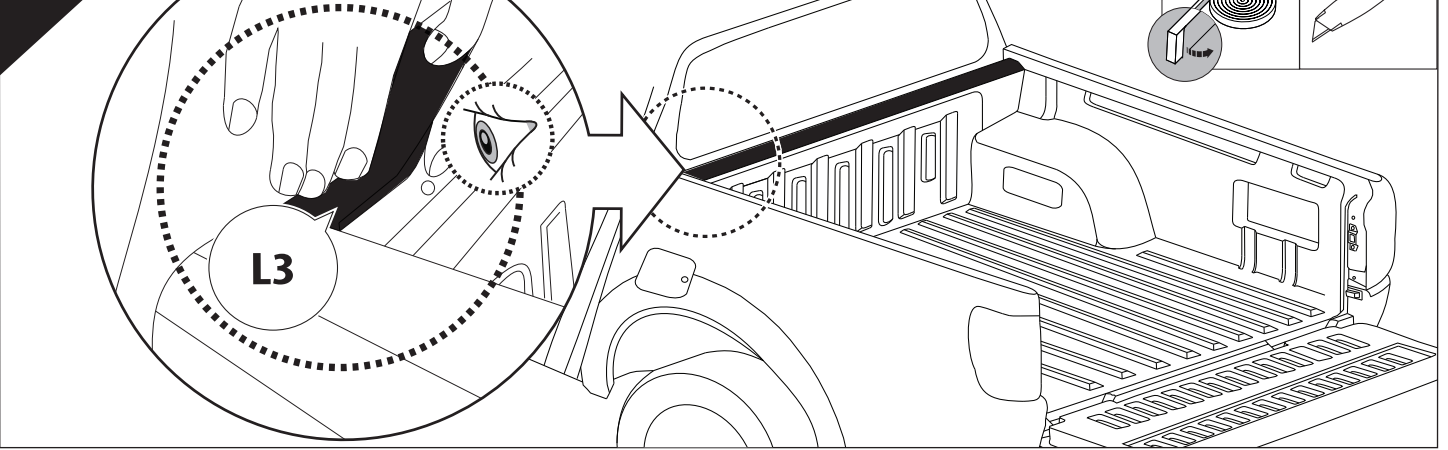
L1

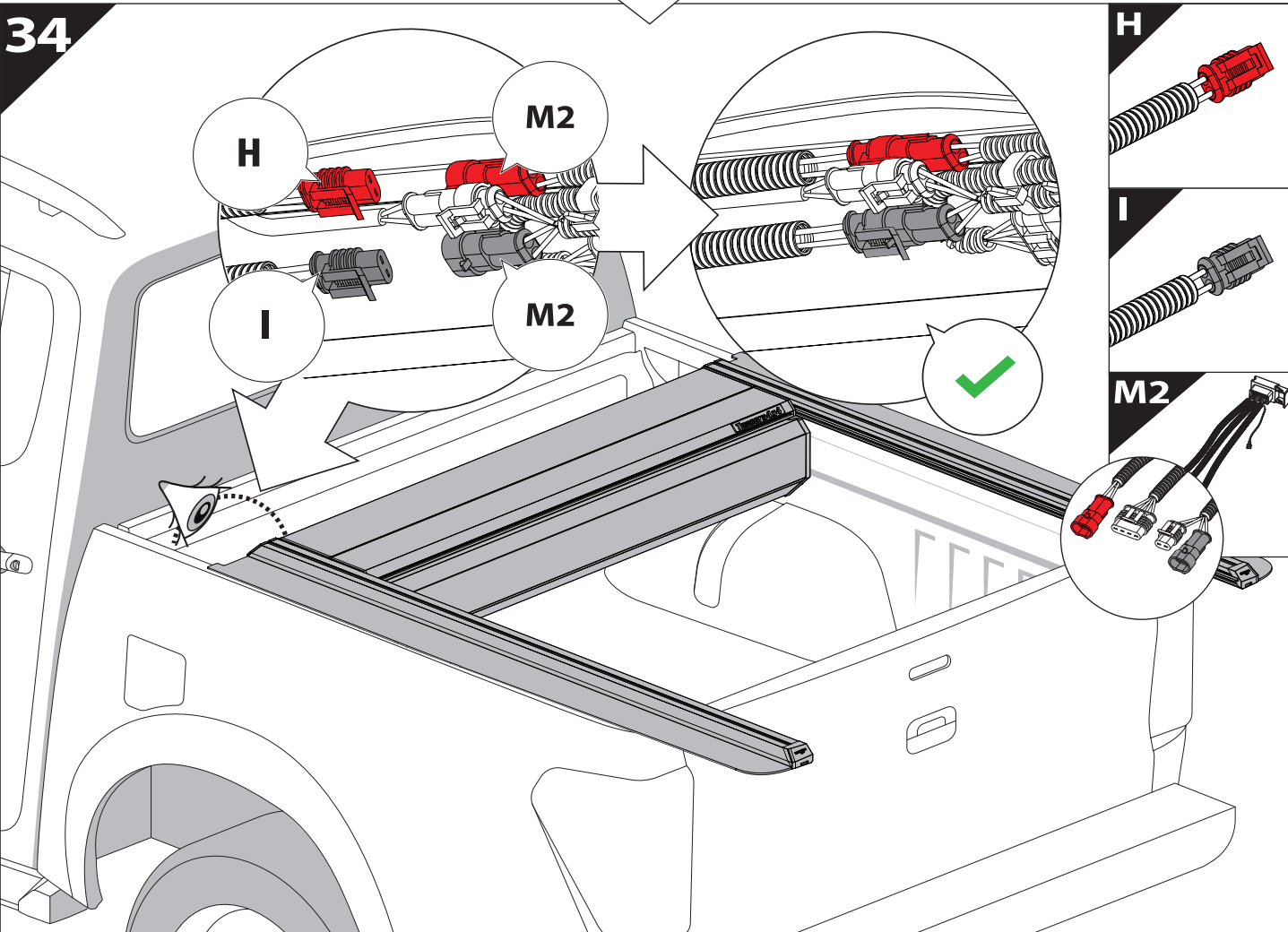
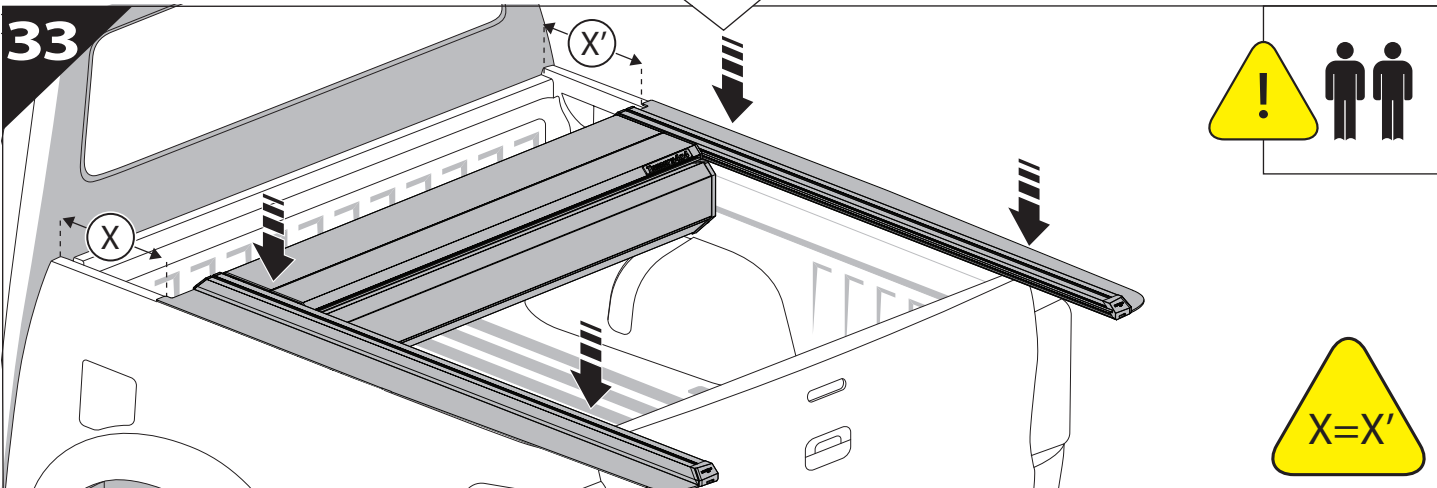
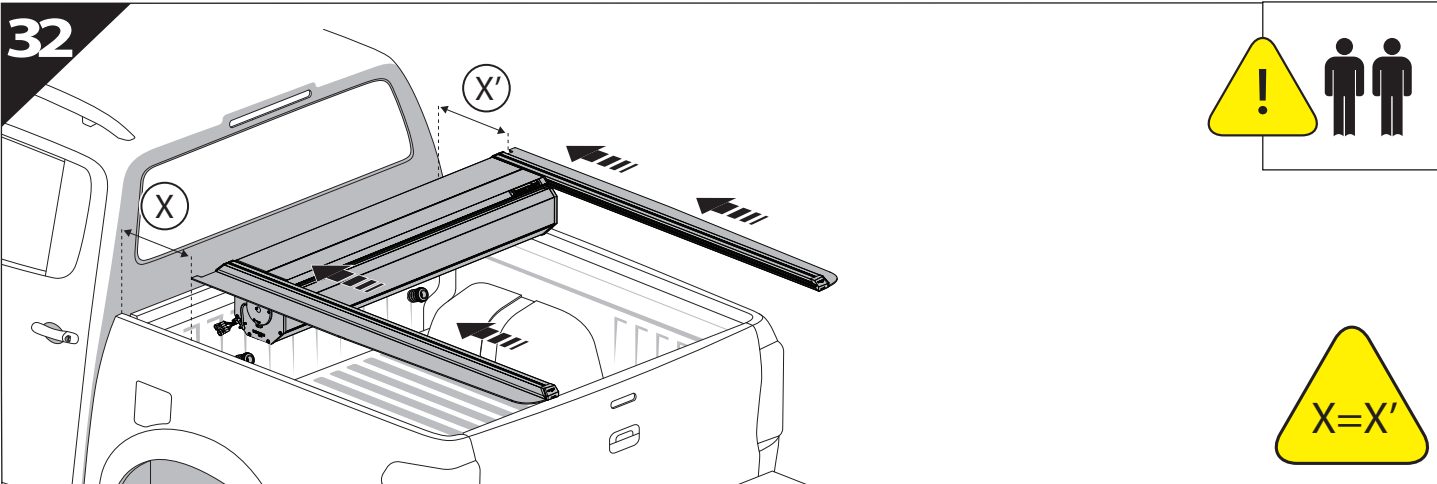
L2



31. 1

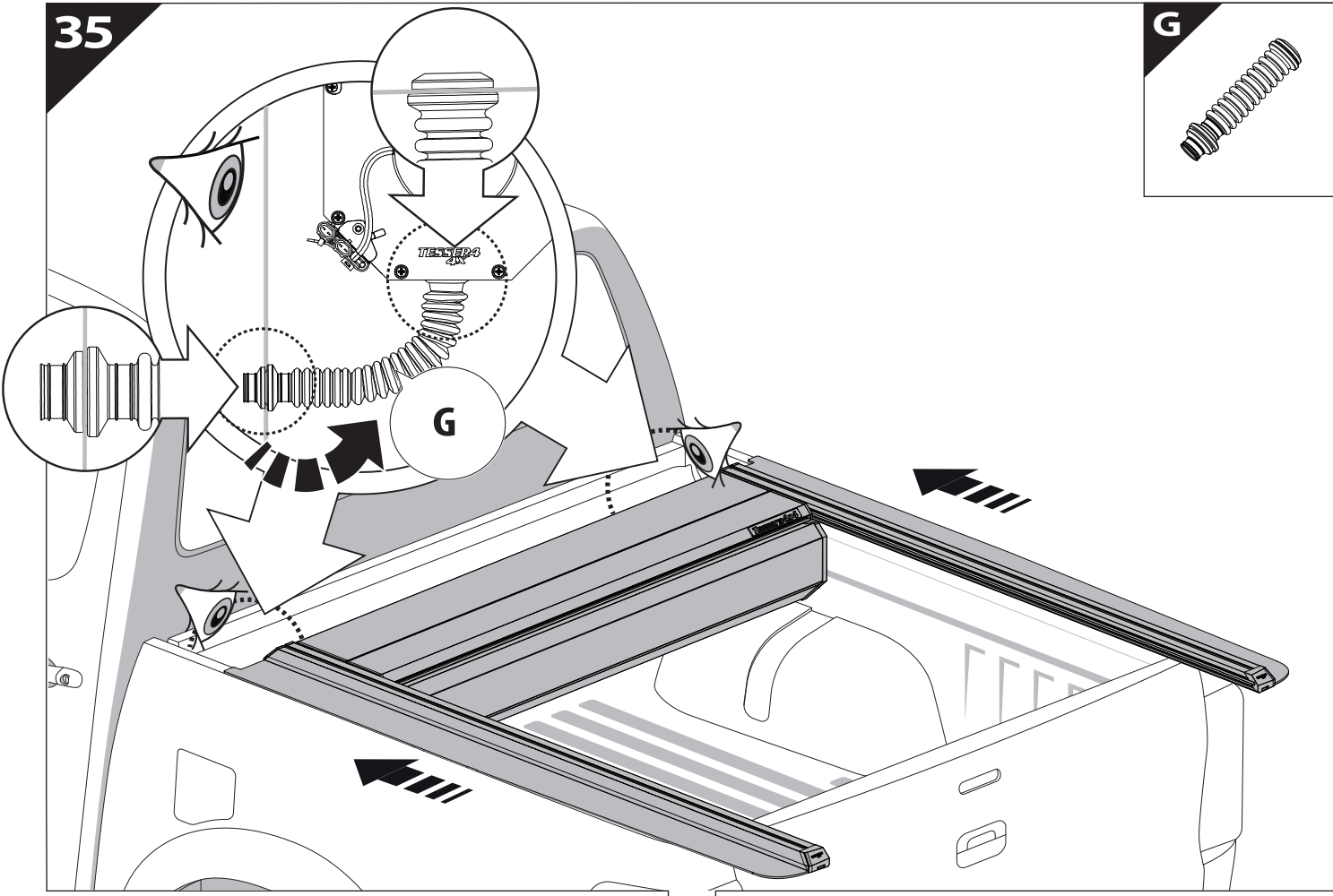
L3



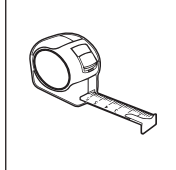
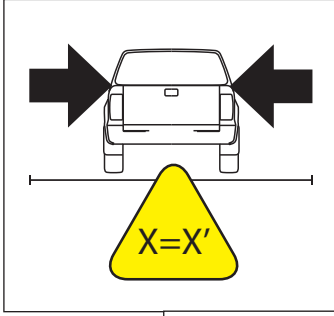
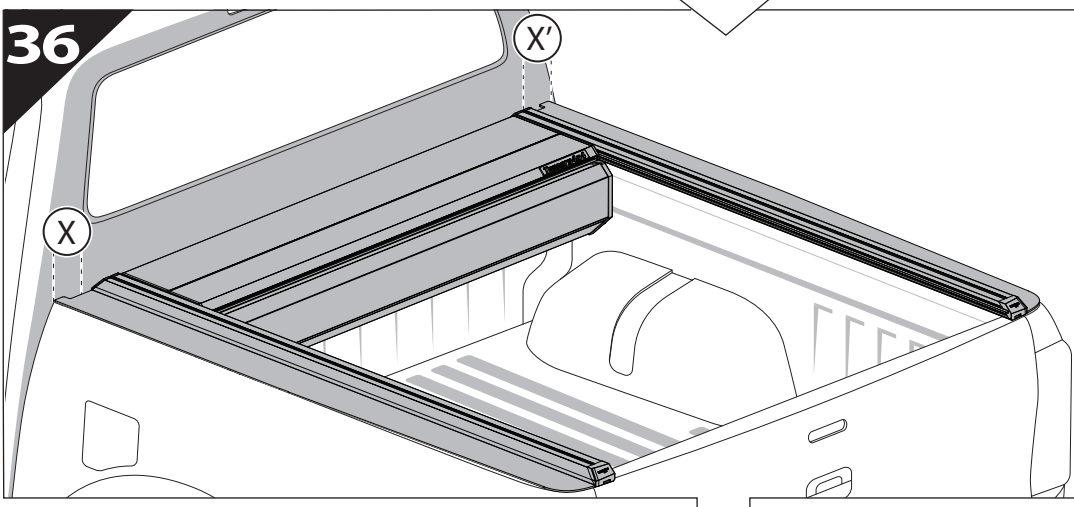


35

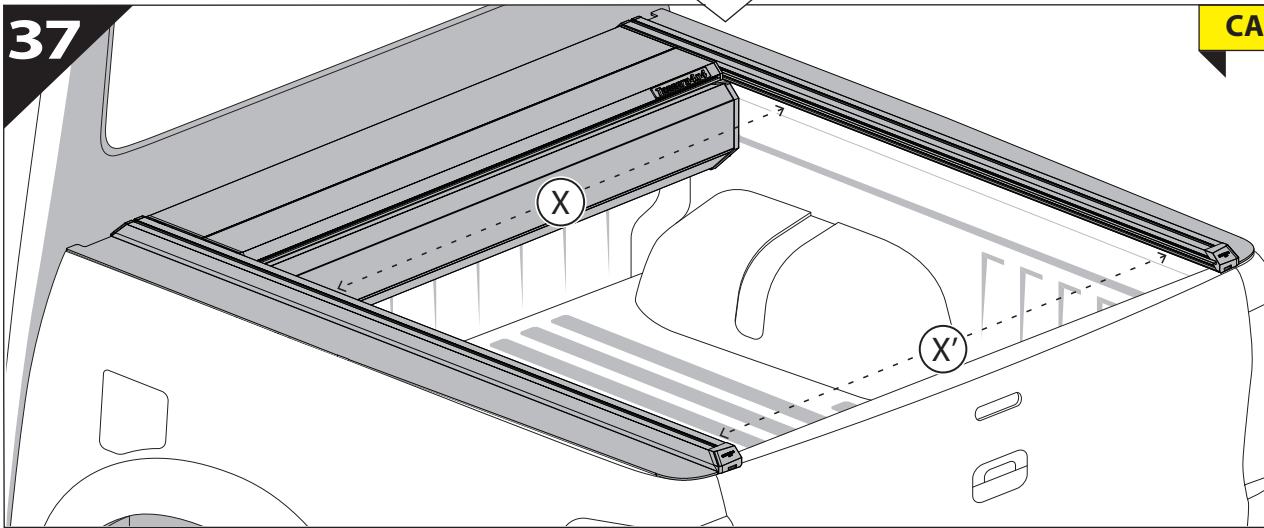
G



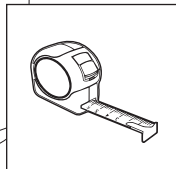
36

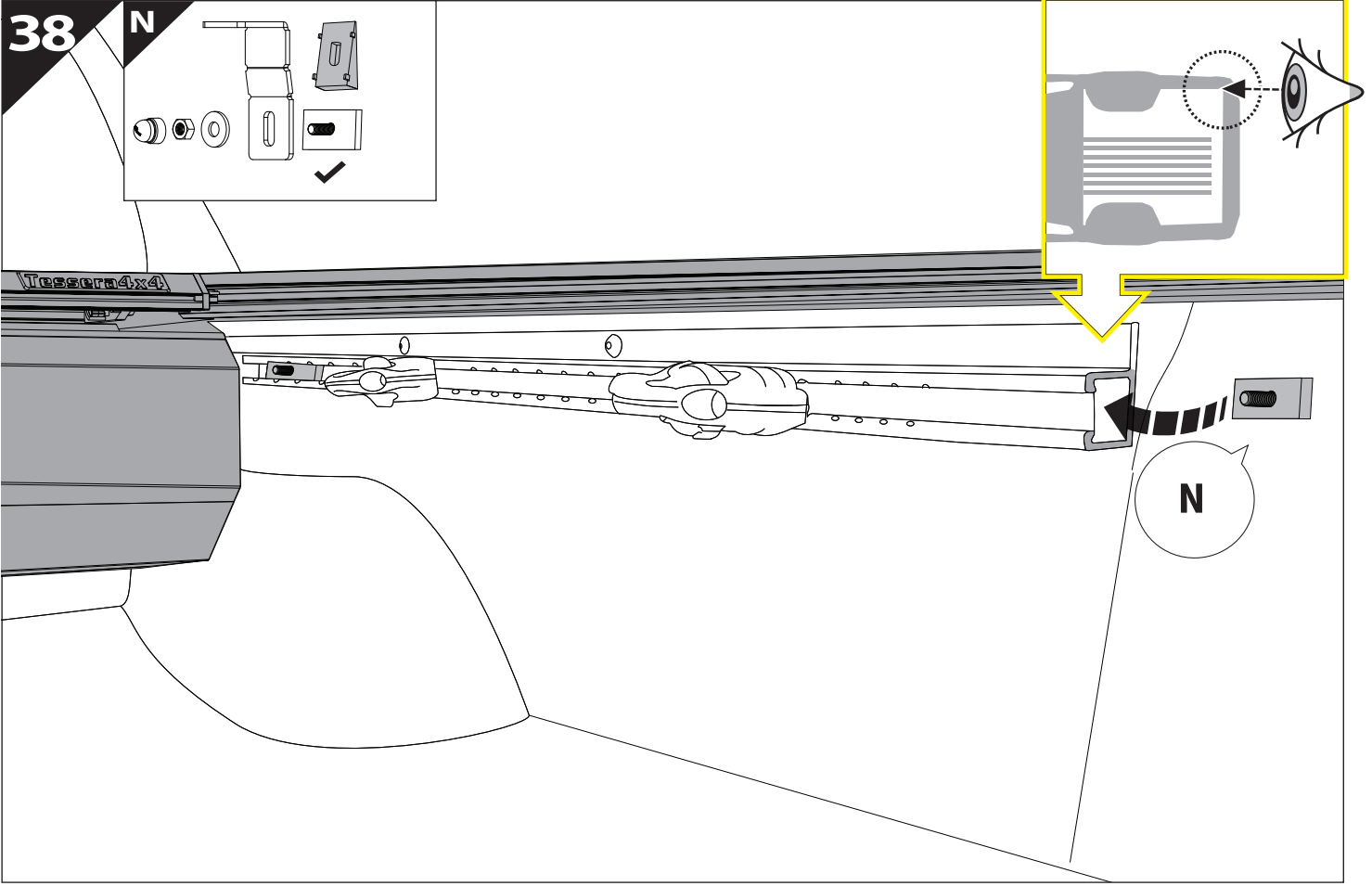


37

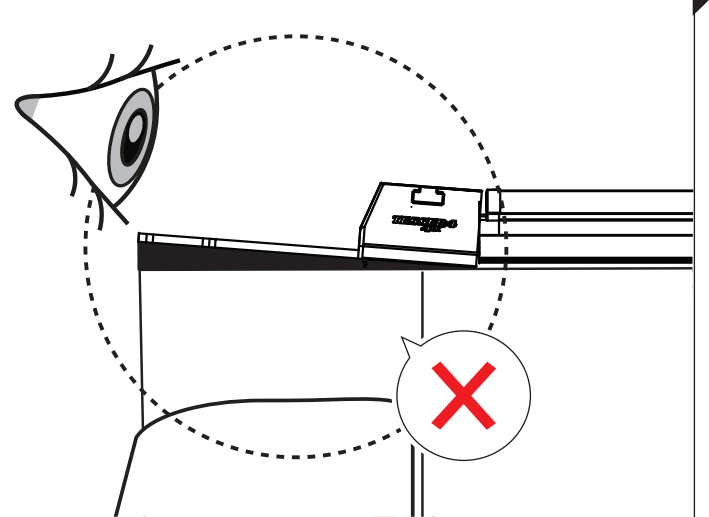
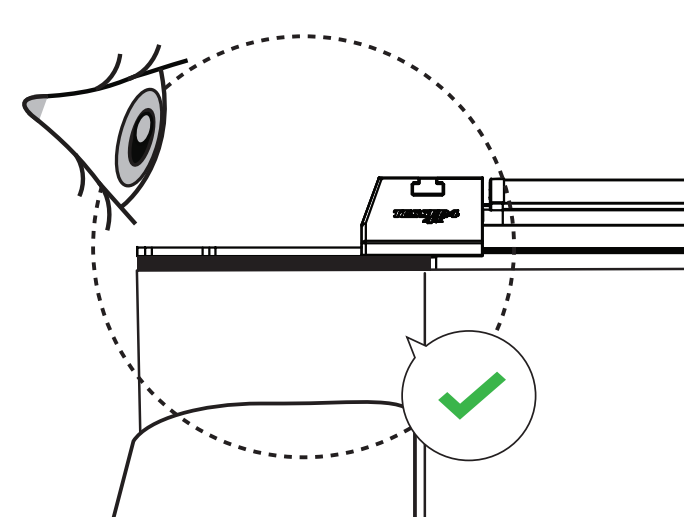
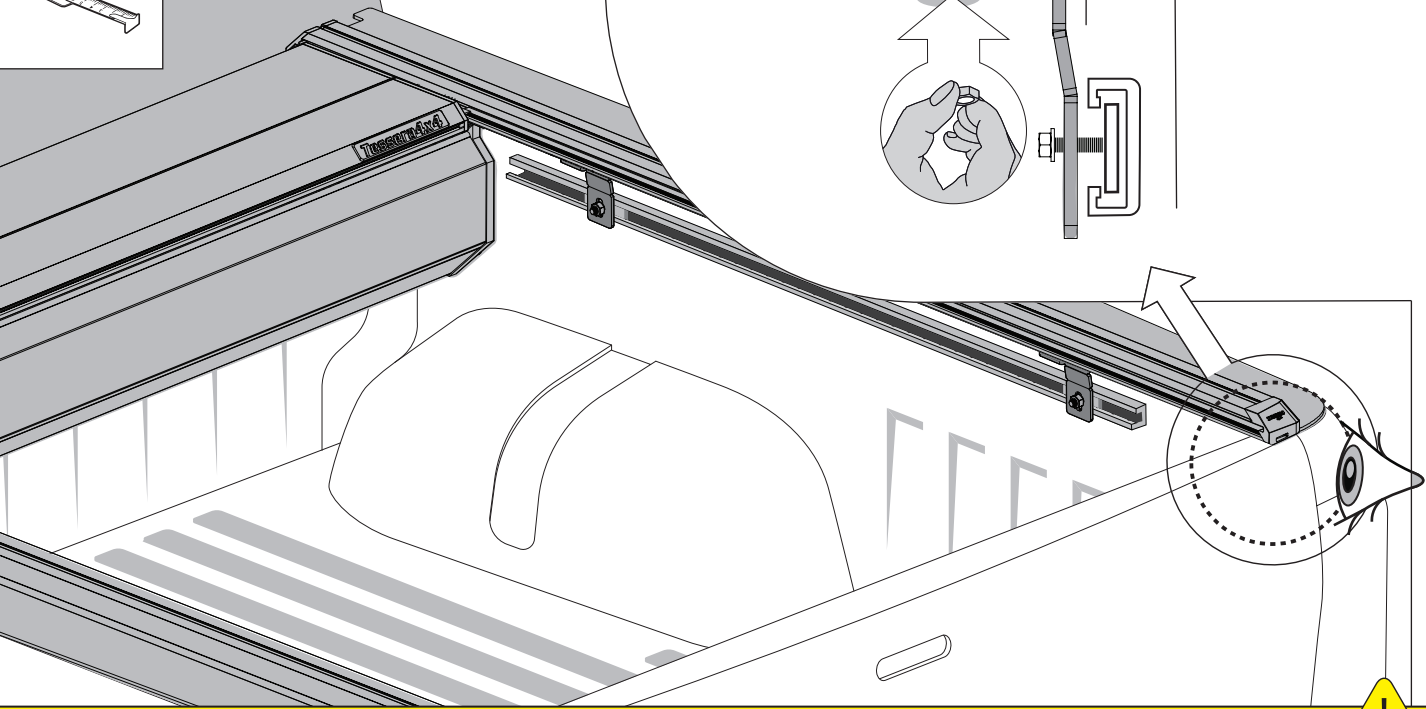
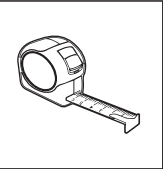
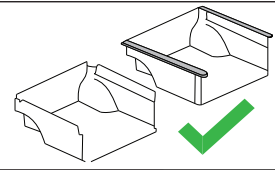
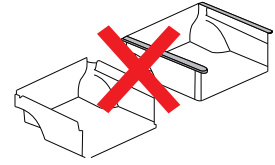
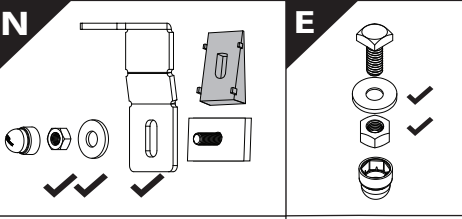


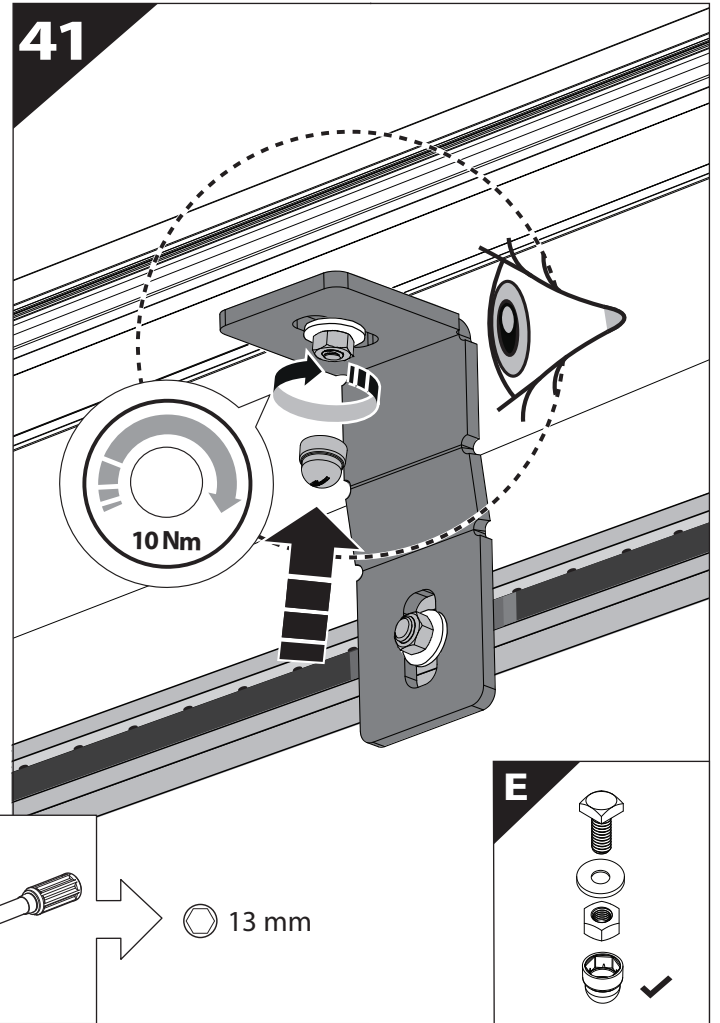
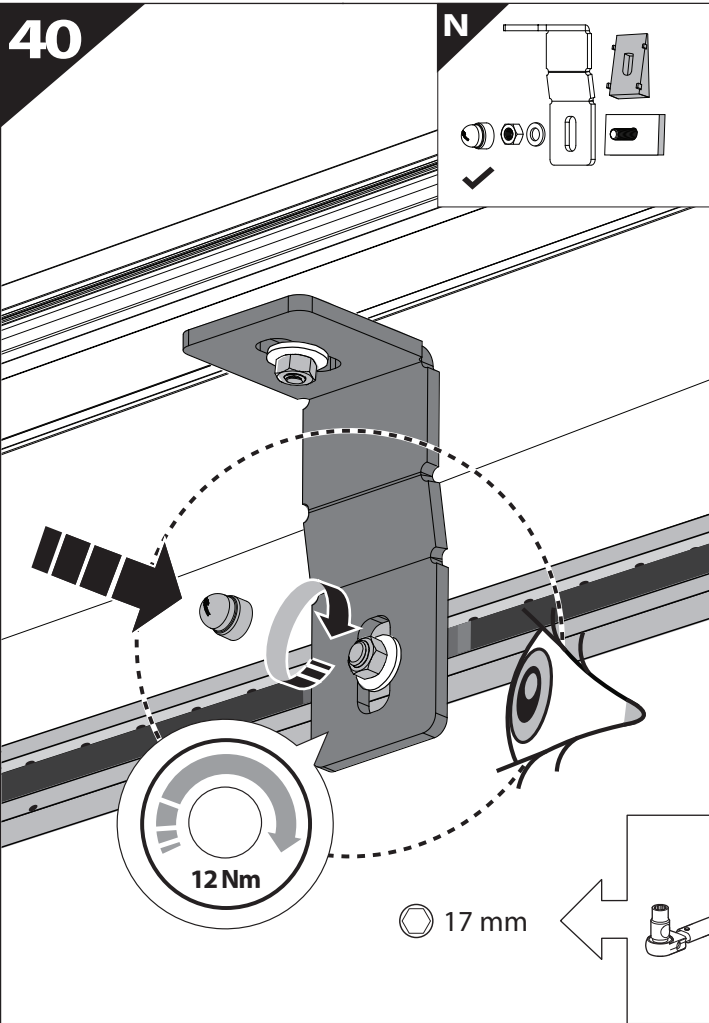
CAUTION !



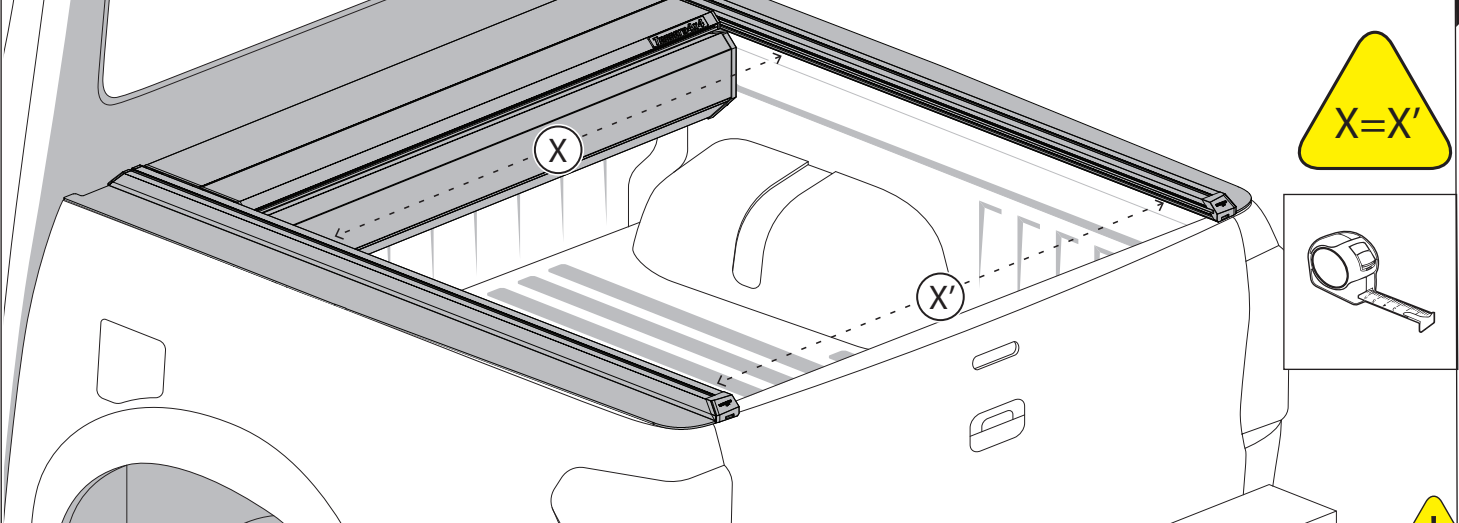


39

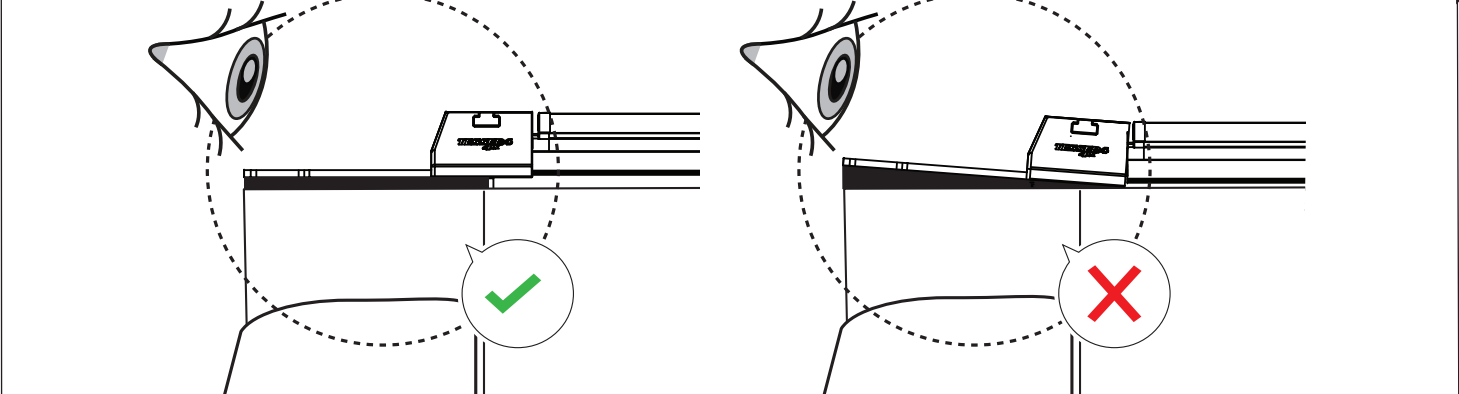




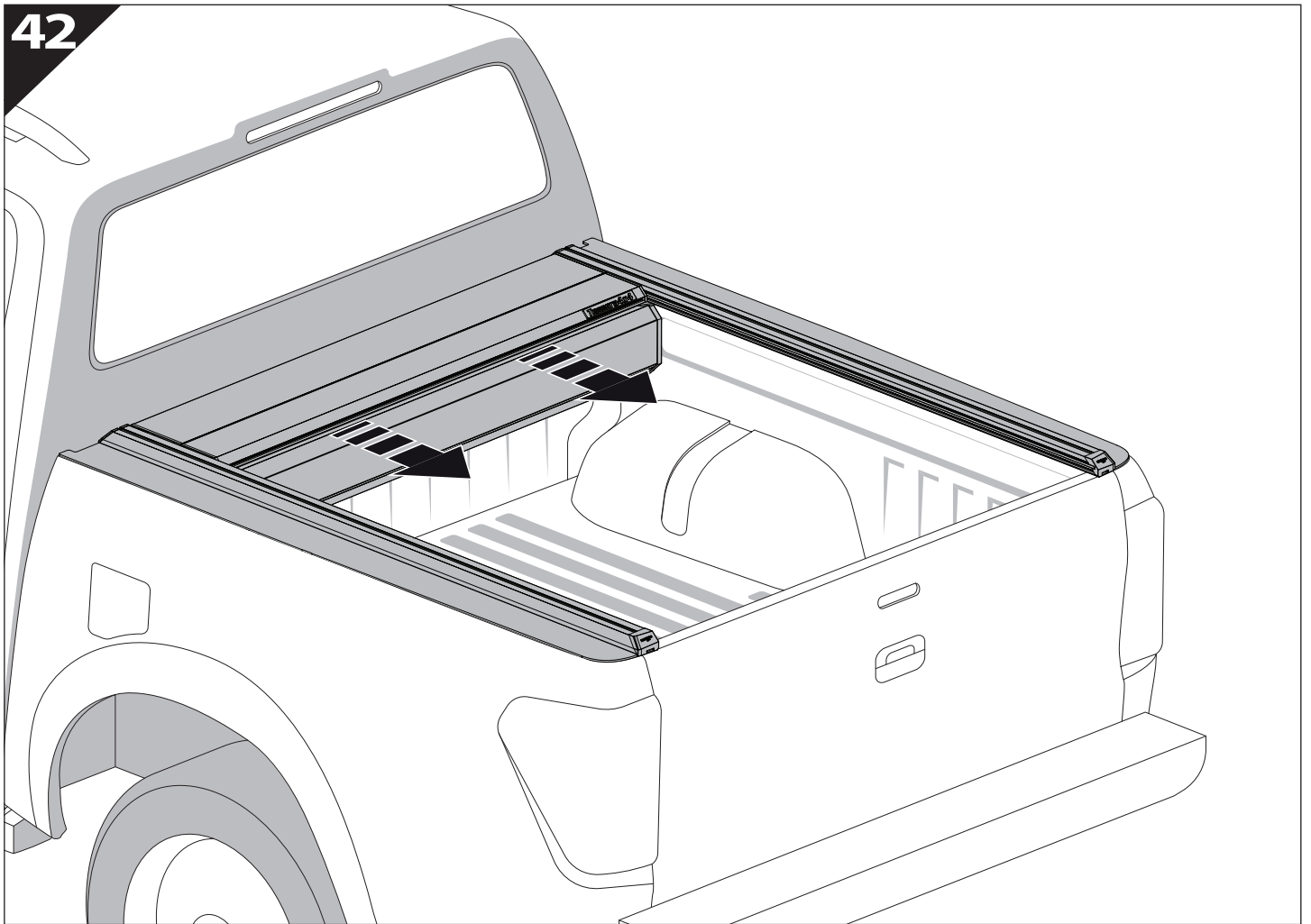
CAUTION !



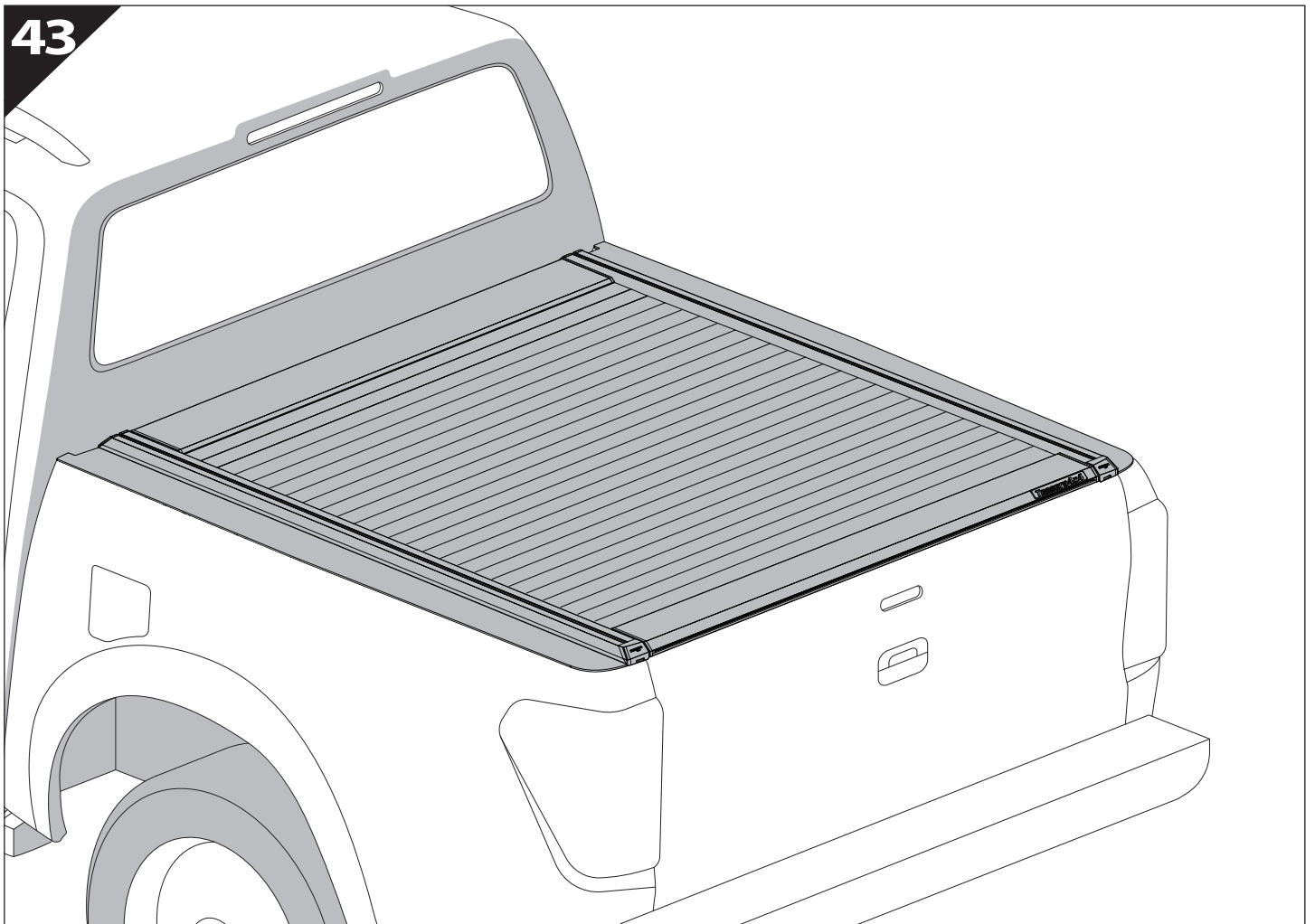
CAUTION !



42



43





GR: Οδηγίες Εγκατάστασης
GB: Installation manual
SF: Asennusohje
F: Notice de montage
PL: Instrukcja montażu
NL: Installatie-instructies
TR: Montaj Talimatı
S: Monteringsanvisning
E: Instrucciones de montaje

H: Szerelési utasítás
P: Instruções de instalação
RUS: Инструкция по установке
N: Monteringsveiledning
D: Einbauanleitung
CZ: Návod k instalaci
I: Istruzioni de montaggio
DK: Monteringsvejledning
RO: Instructiuni de instalare

Customer Service:

+30 (210) 5541161, +30 (210) 5541154 (08:00 - 16:00 EET)

Support department:

info@gianso.gr

Website:

www.tessera4x4.com

Address:

19.5 km of National road Athens-Korinthos (Elefsina) Greece, P.C: 19200