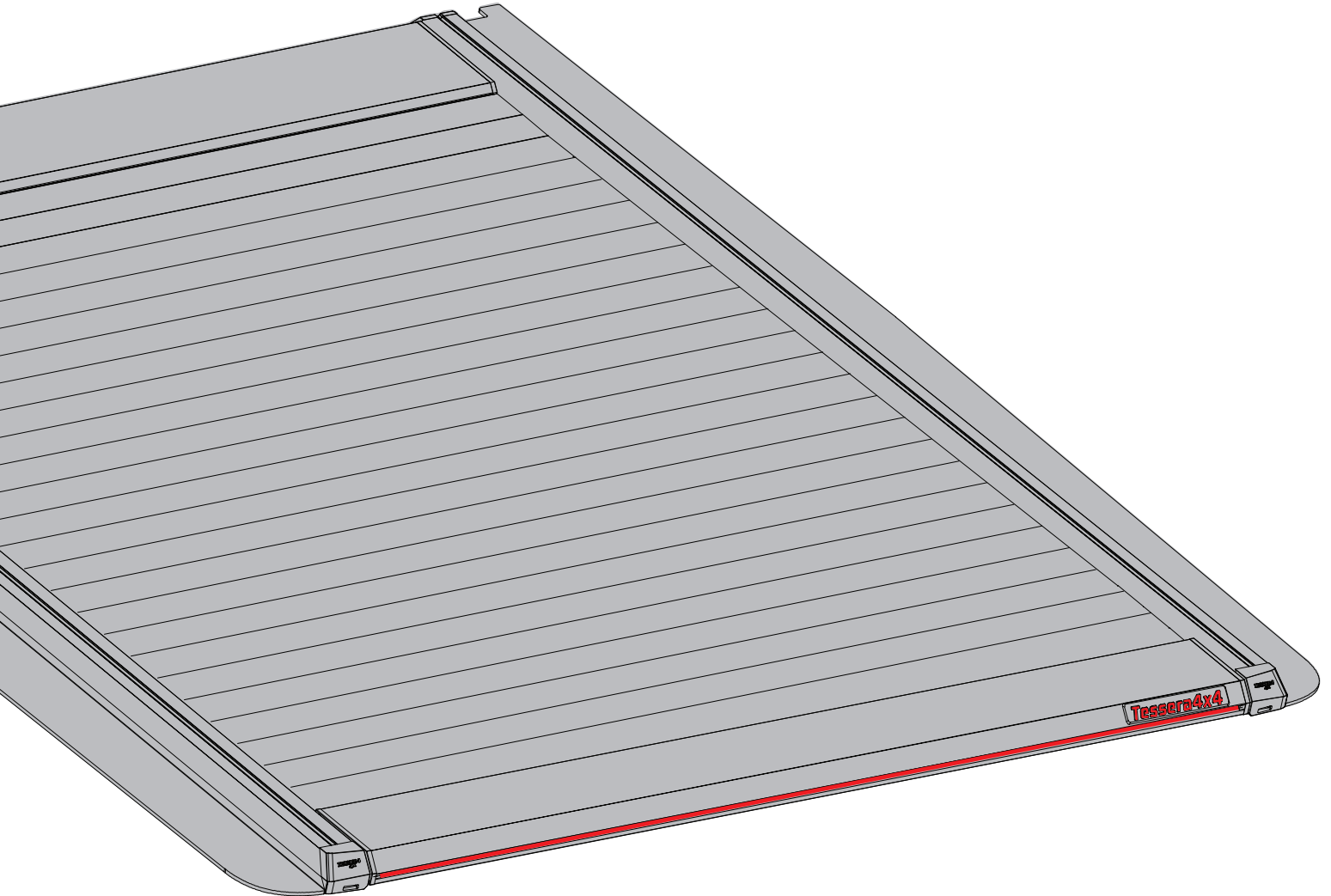


# Tessera Roll+

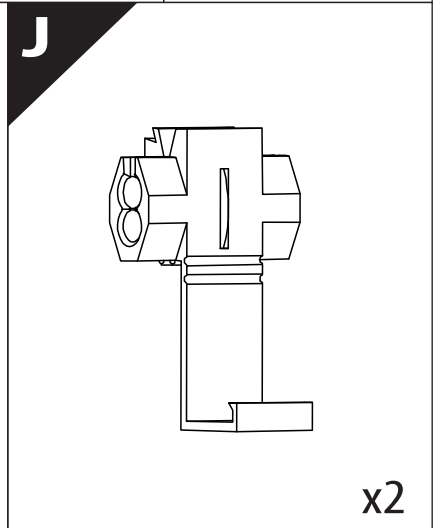
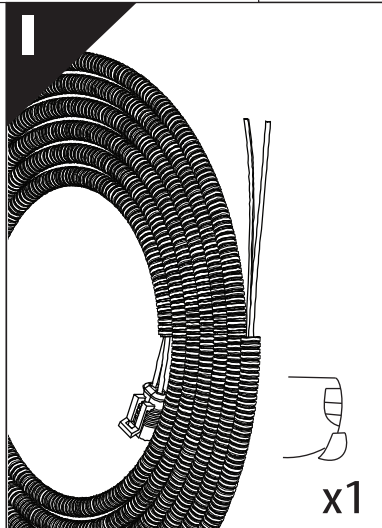
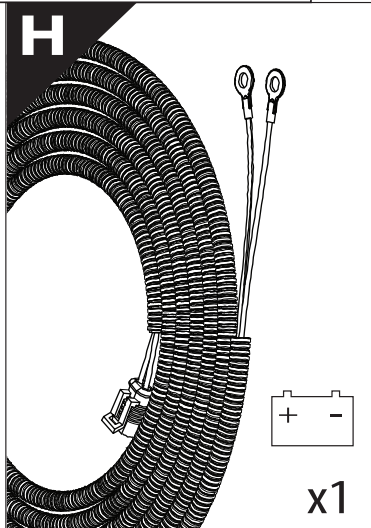
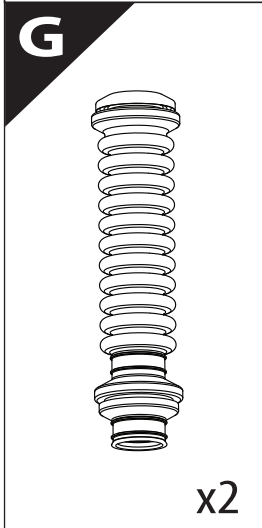
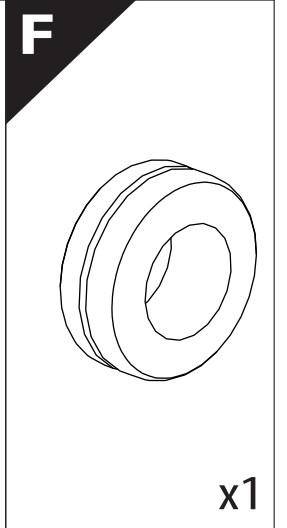
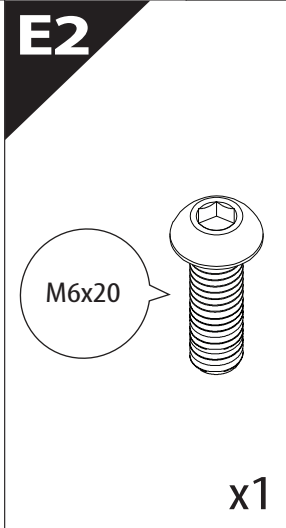
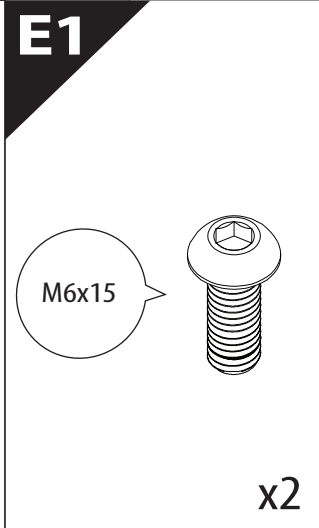
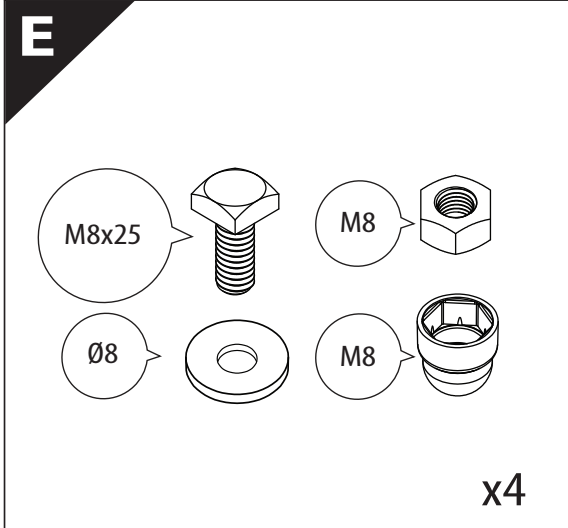
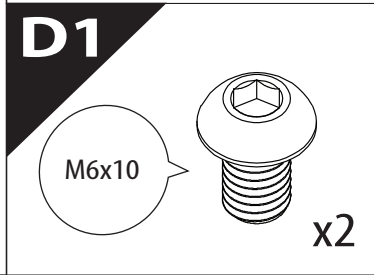
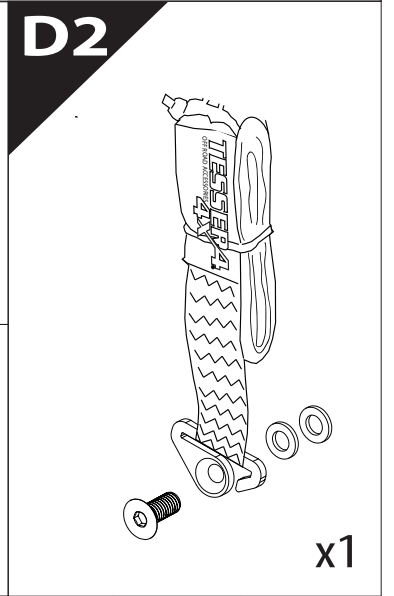
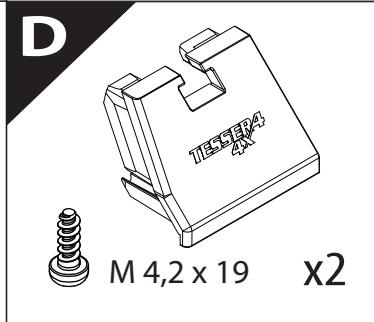
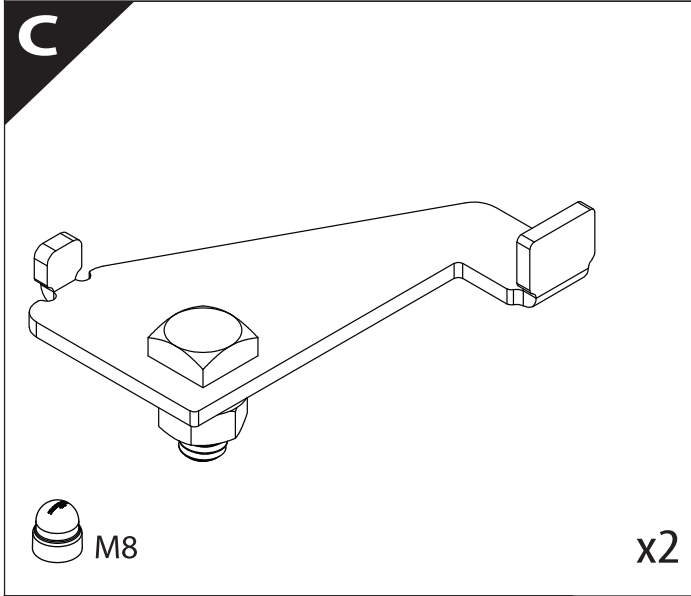
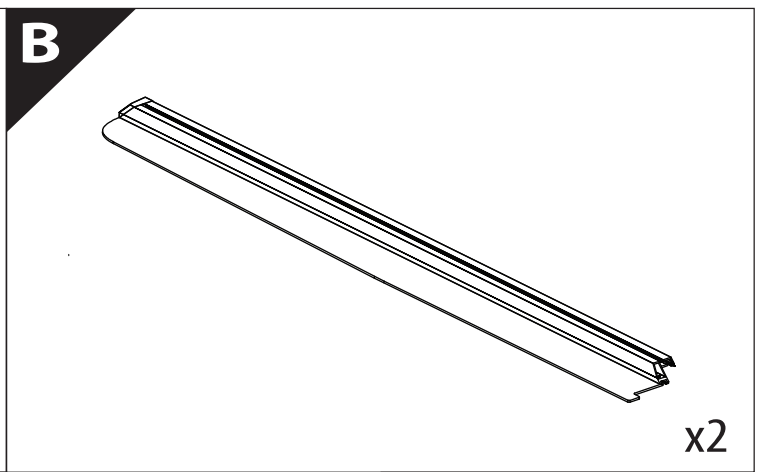
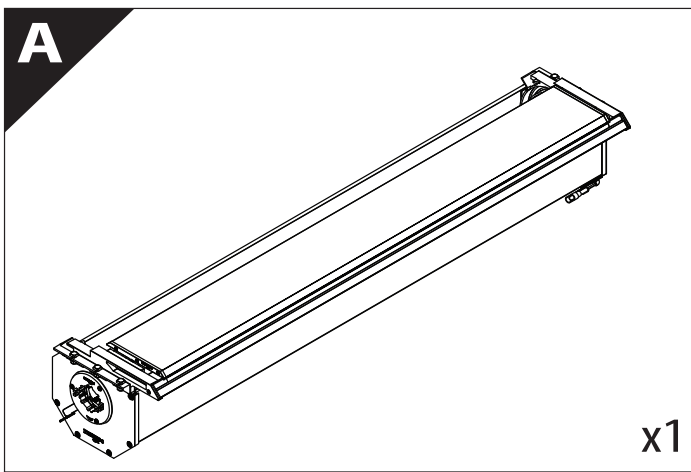
## Basic Version + ⚡ E-KIT

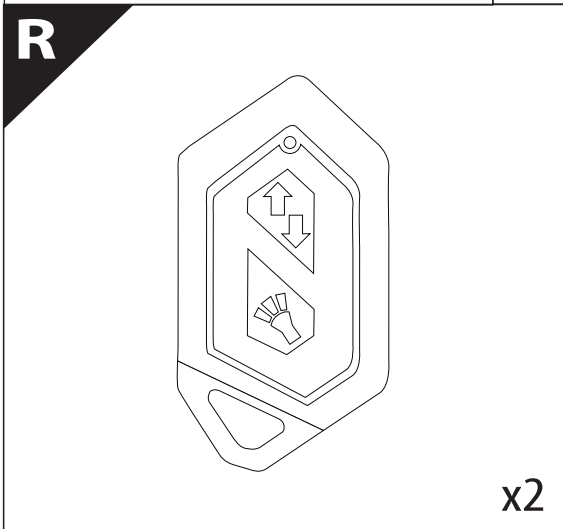
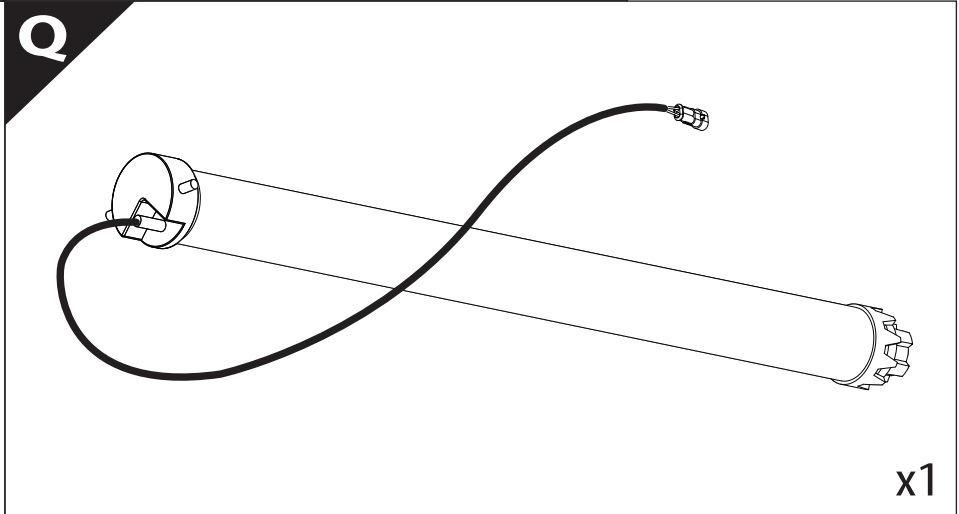
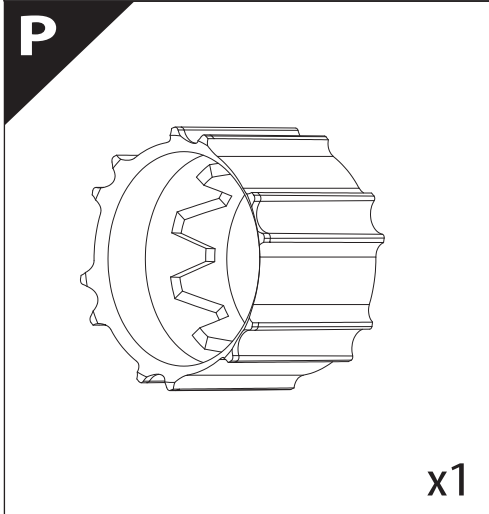
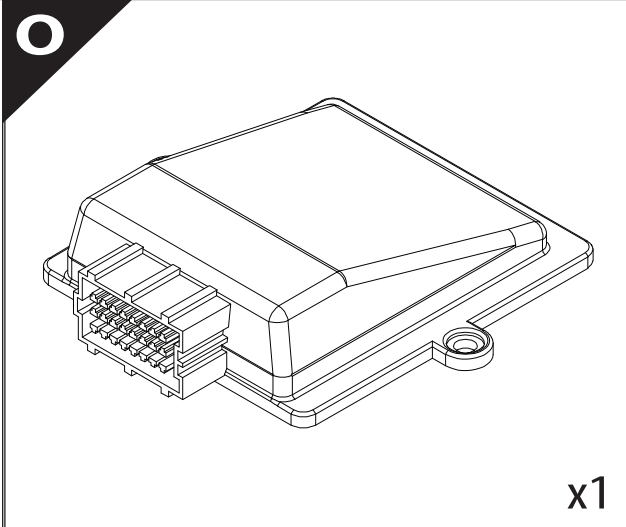
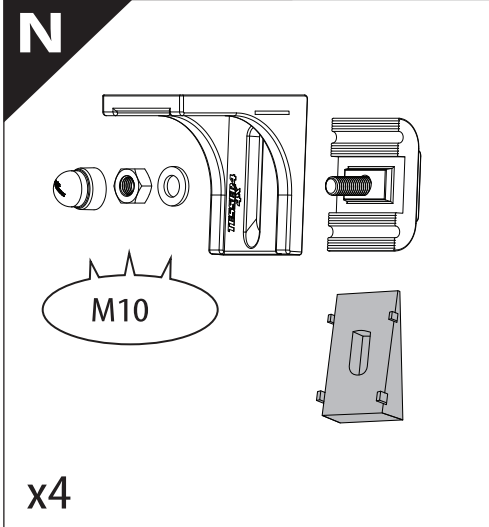
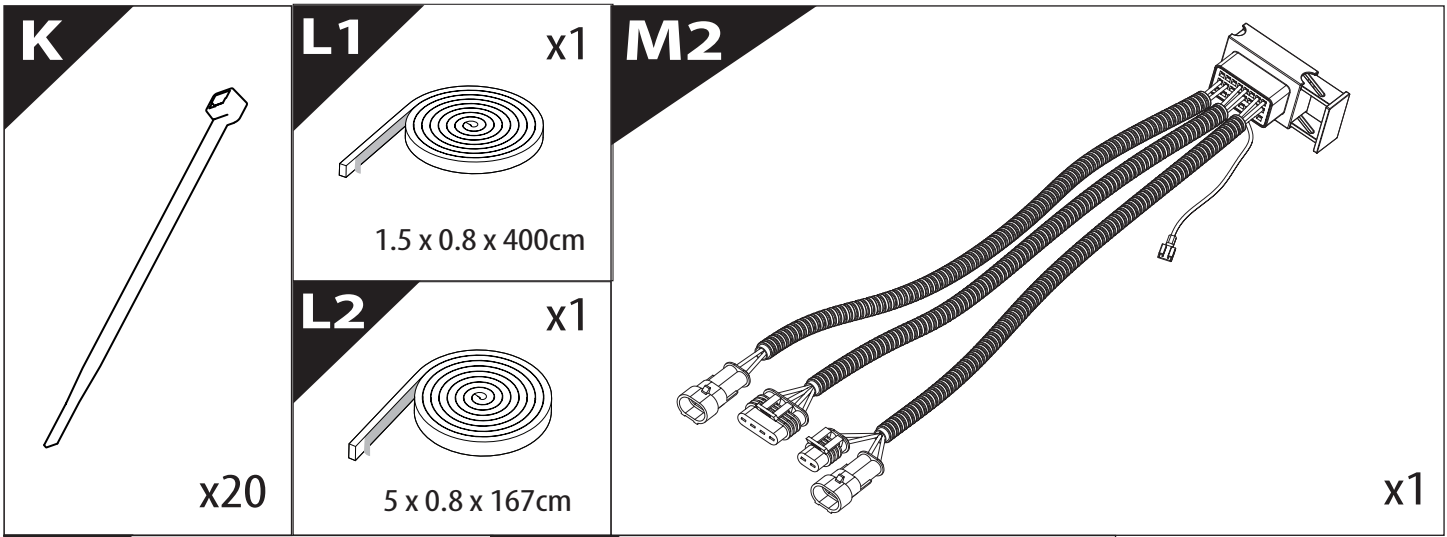


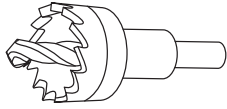
## Installation Manual

PART NUMBER(S)	Model Year
TESS 1442 ROLL+E-KIT	Mitsubishi L200 2024+ (No Tailgate Spoiler)
Cab(s)	Installation Time / Weight
Double Cab	40-60 minutes / 53-57 kg

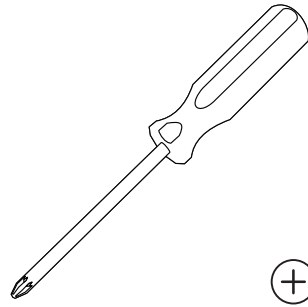
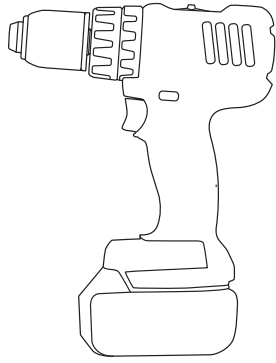




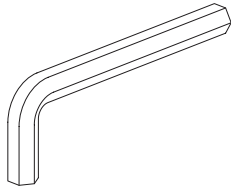
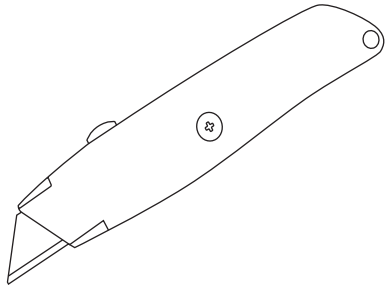
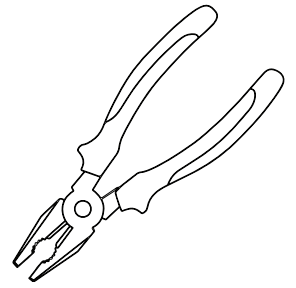




Ø 25 mm / Ø 40 mm

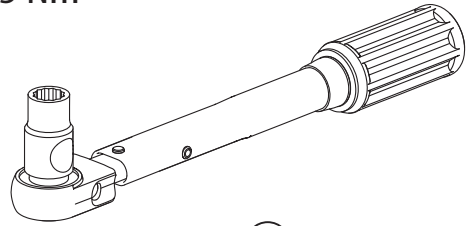


+



4 mm

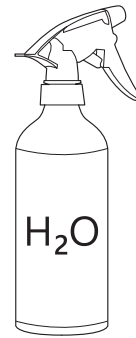
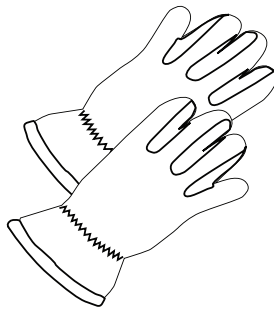
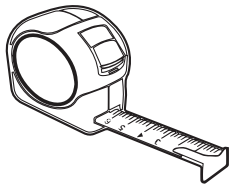
1 - 25 Nm



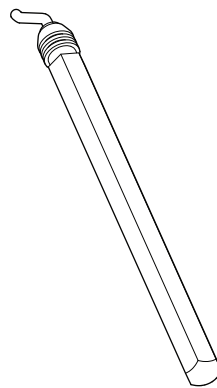
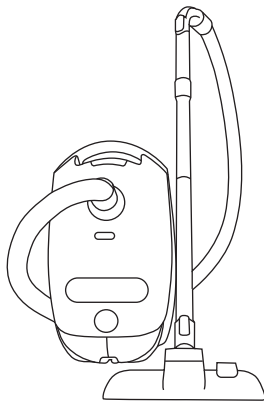
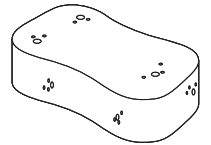
12, 13, 17 mm



ACETONE



H<sub>2</sub>O



ANTI-RUST



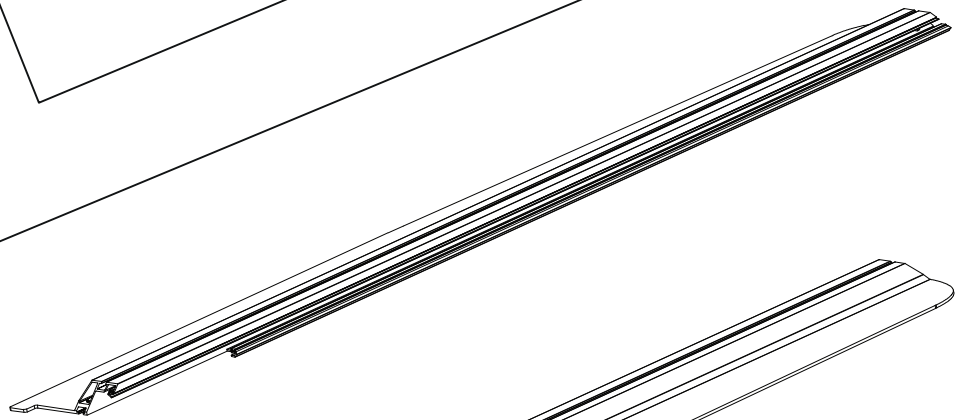
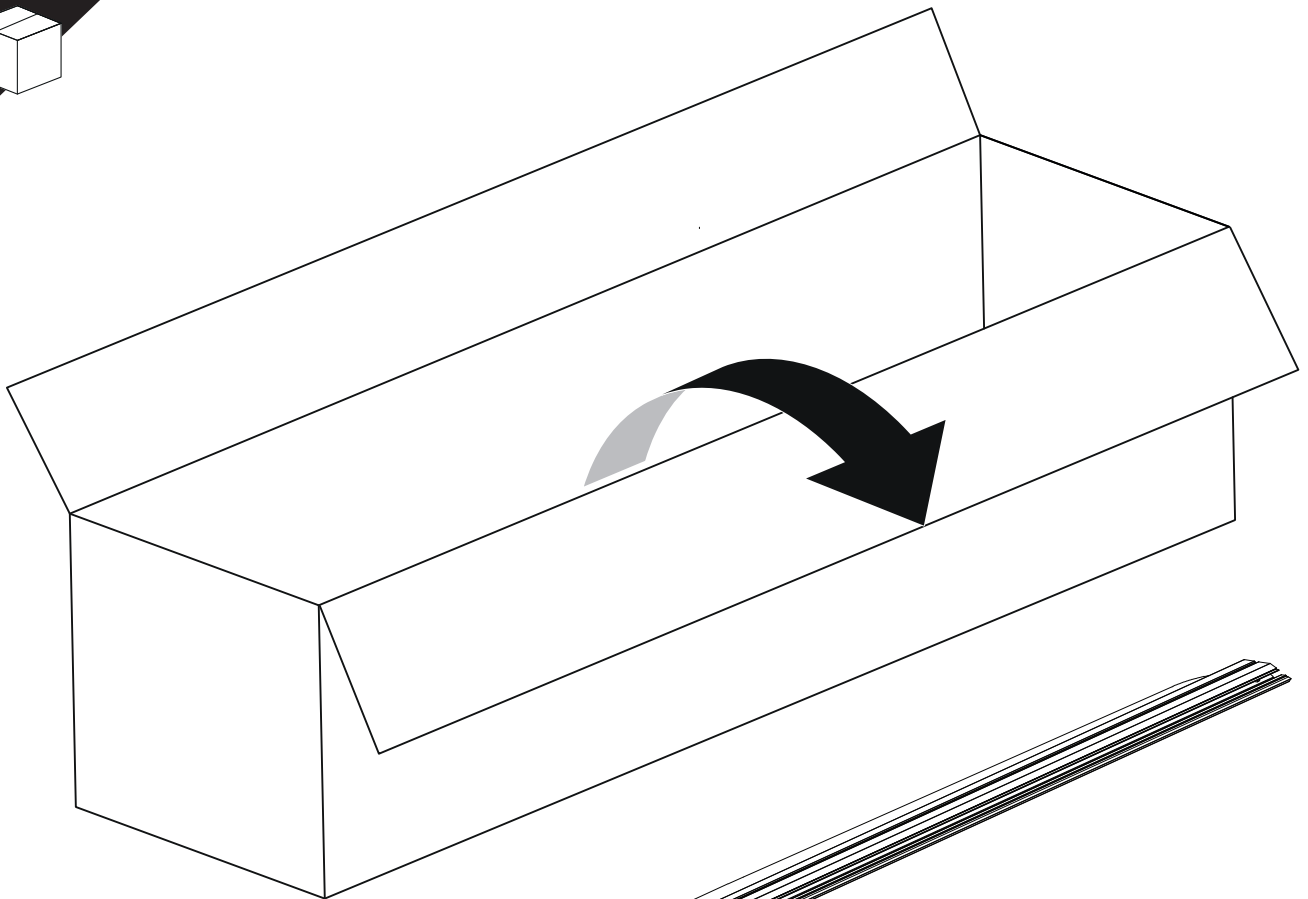
INSTALLATION  
MANUAL  
+E-KIT



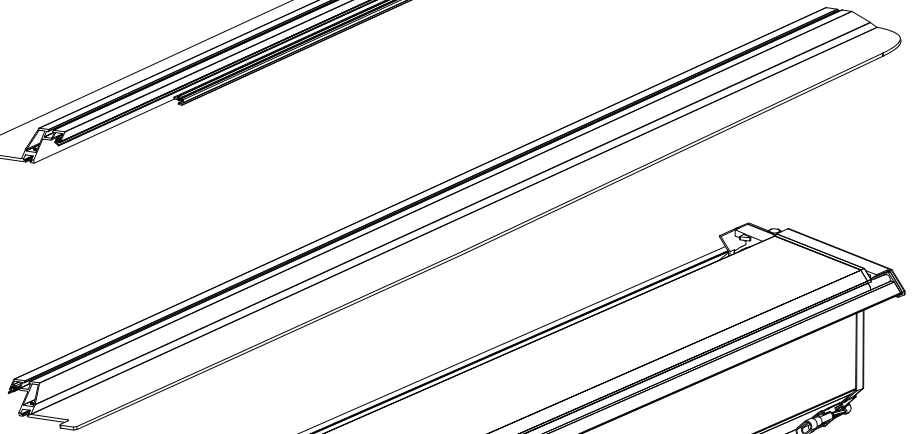
OWNERS  
MANUAL



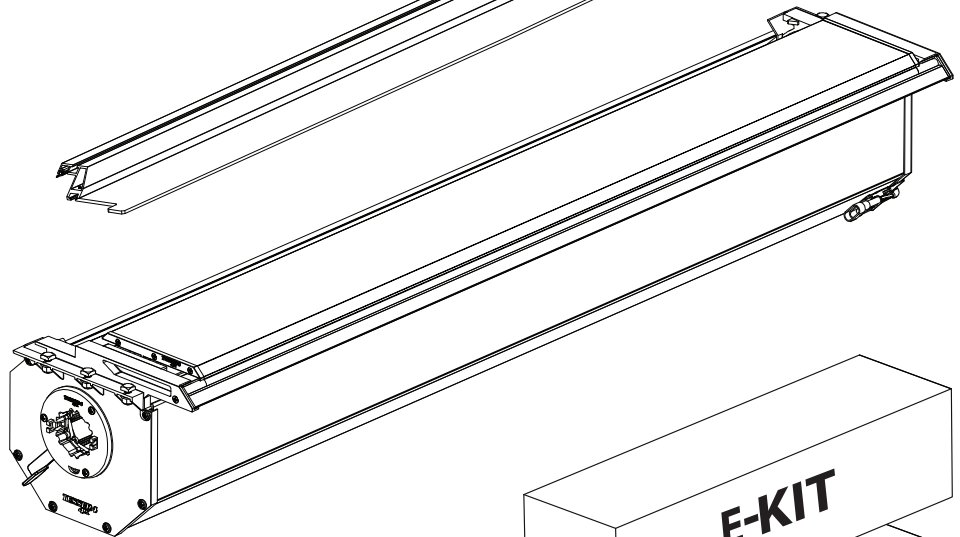
x1



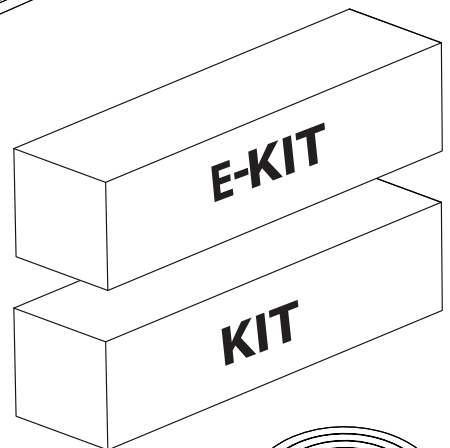
**B**



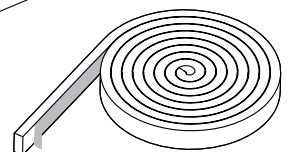
**A**

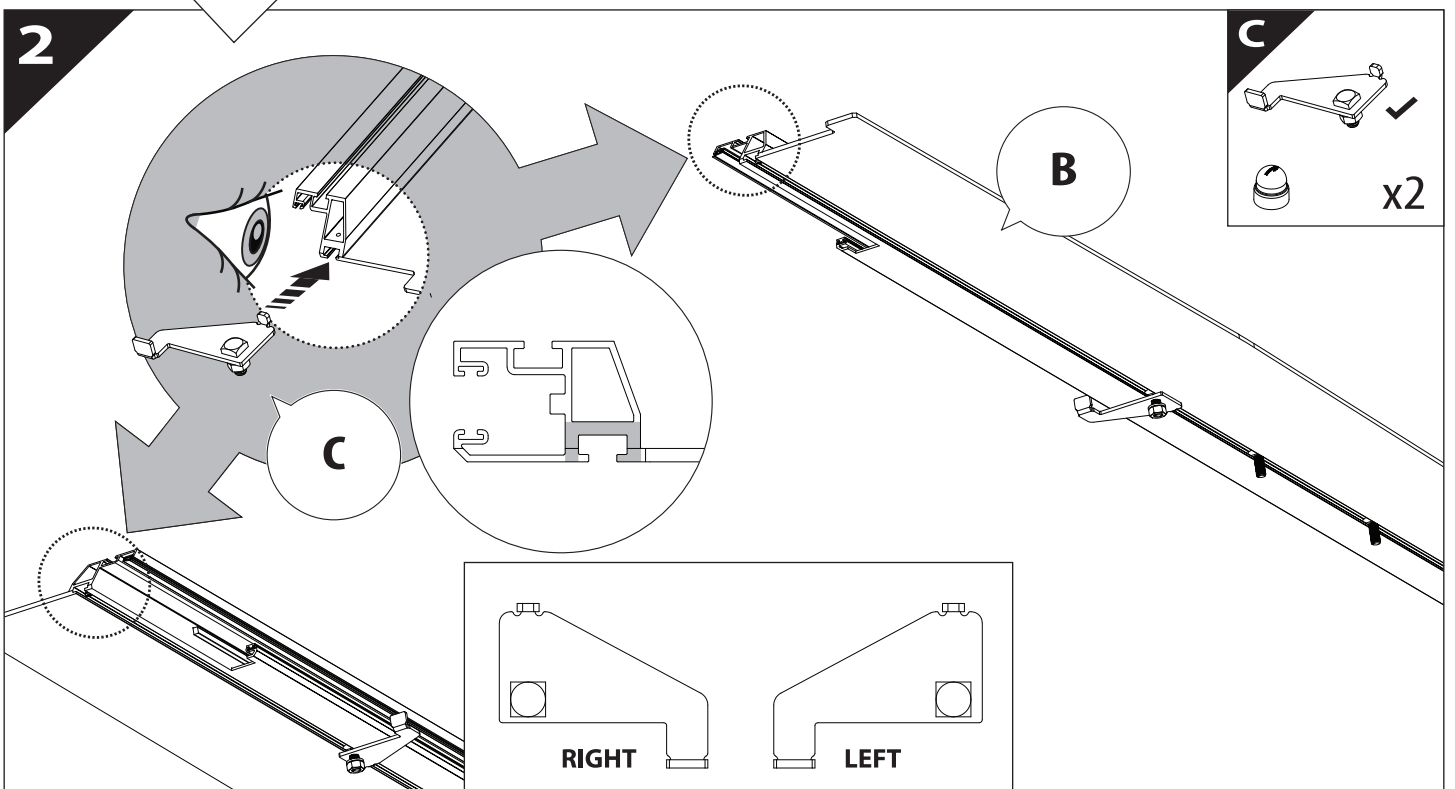
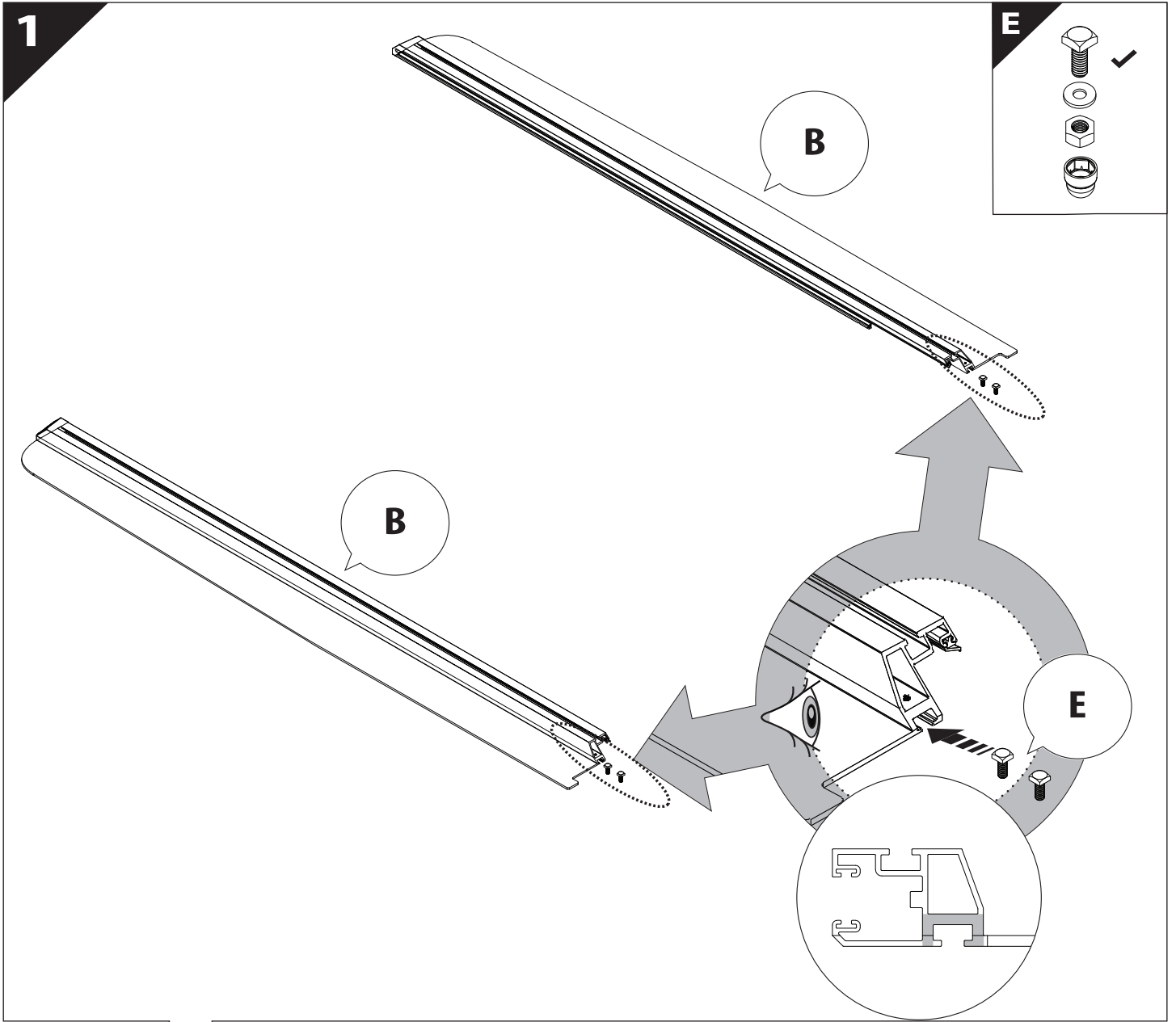


**KITS**

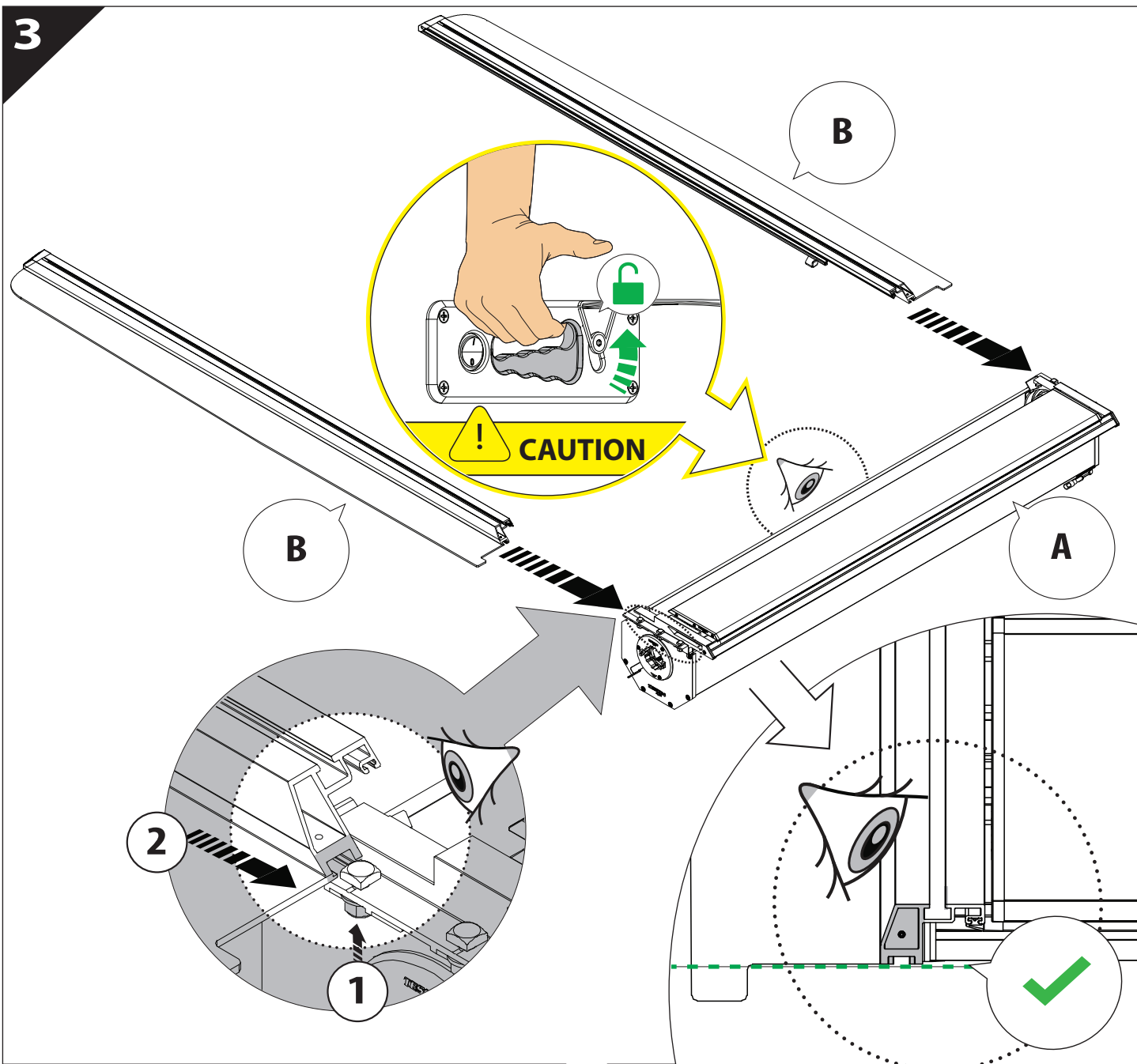


**L**

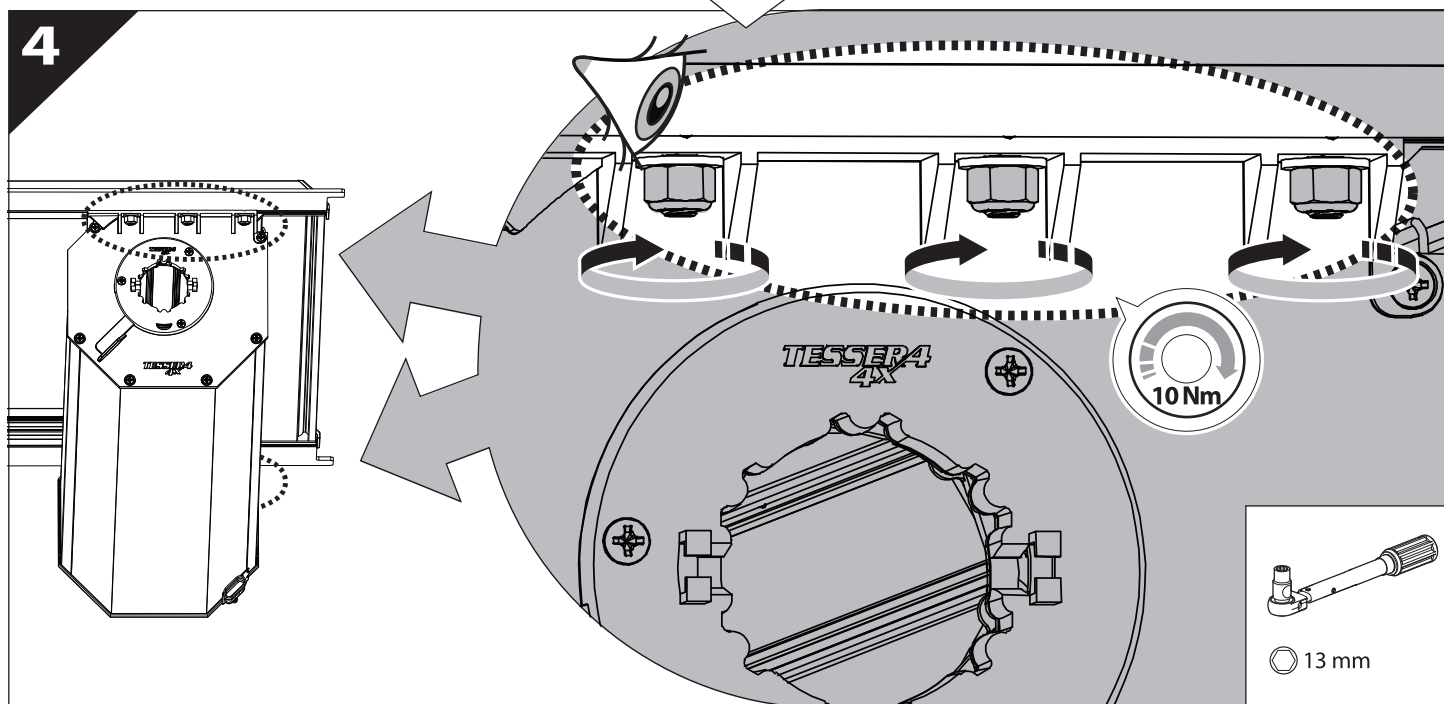


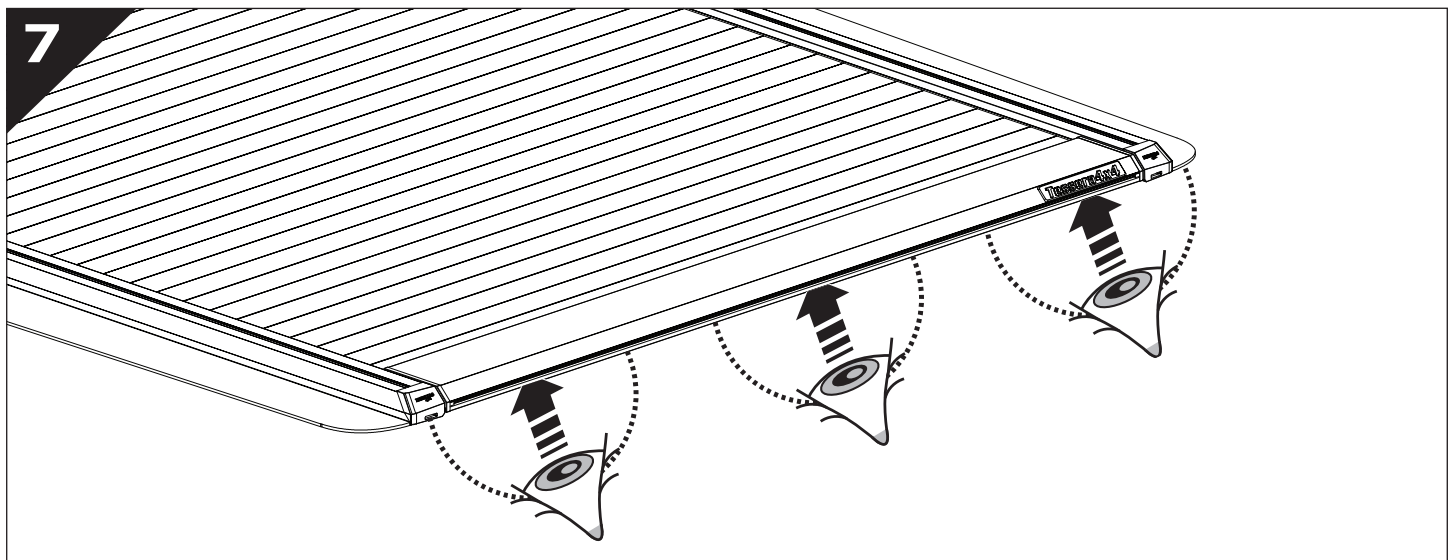
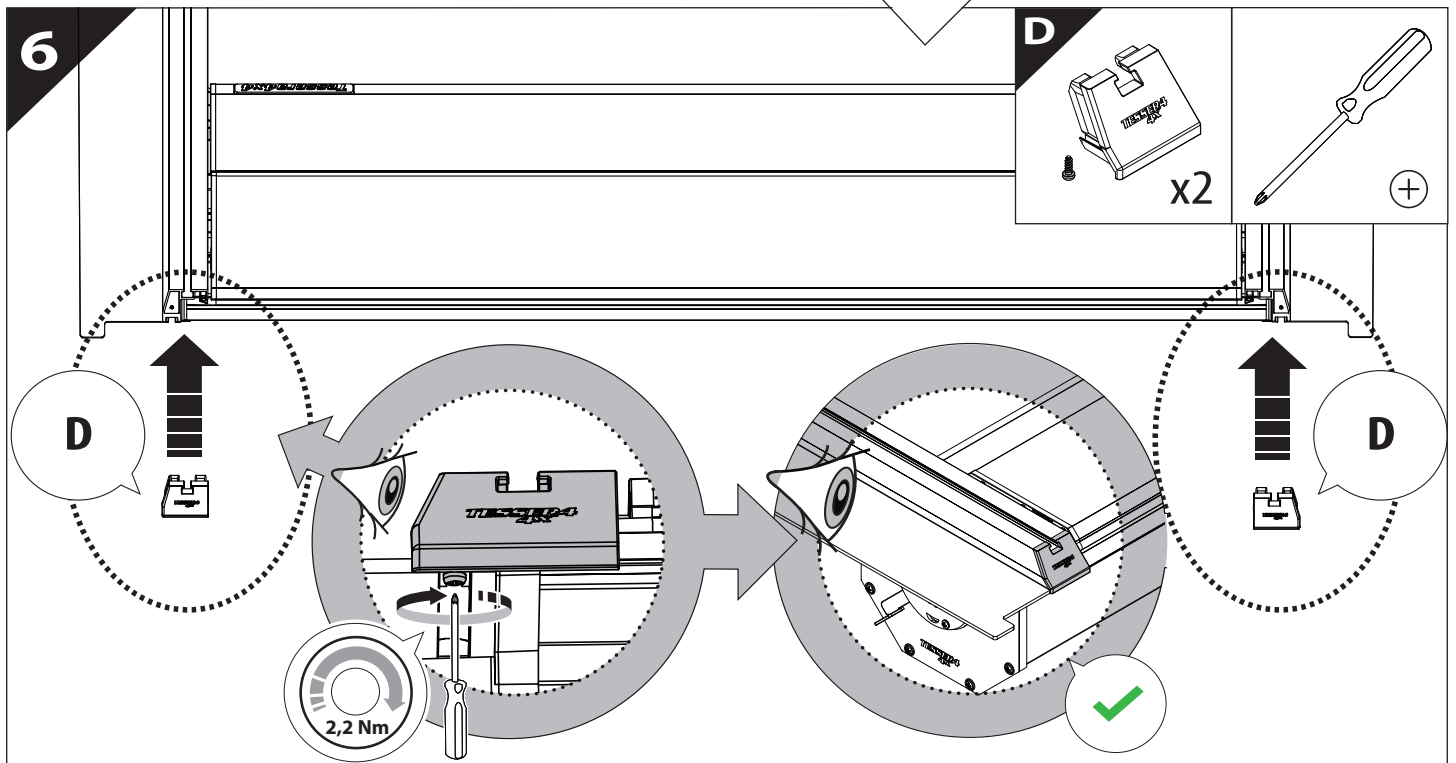
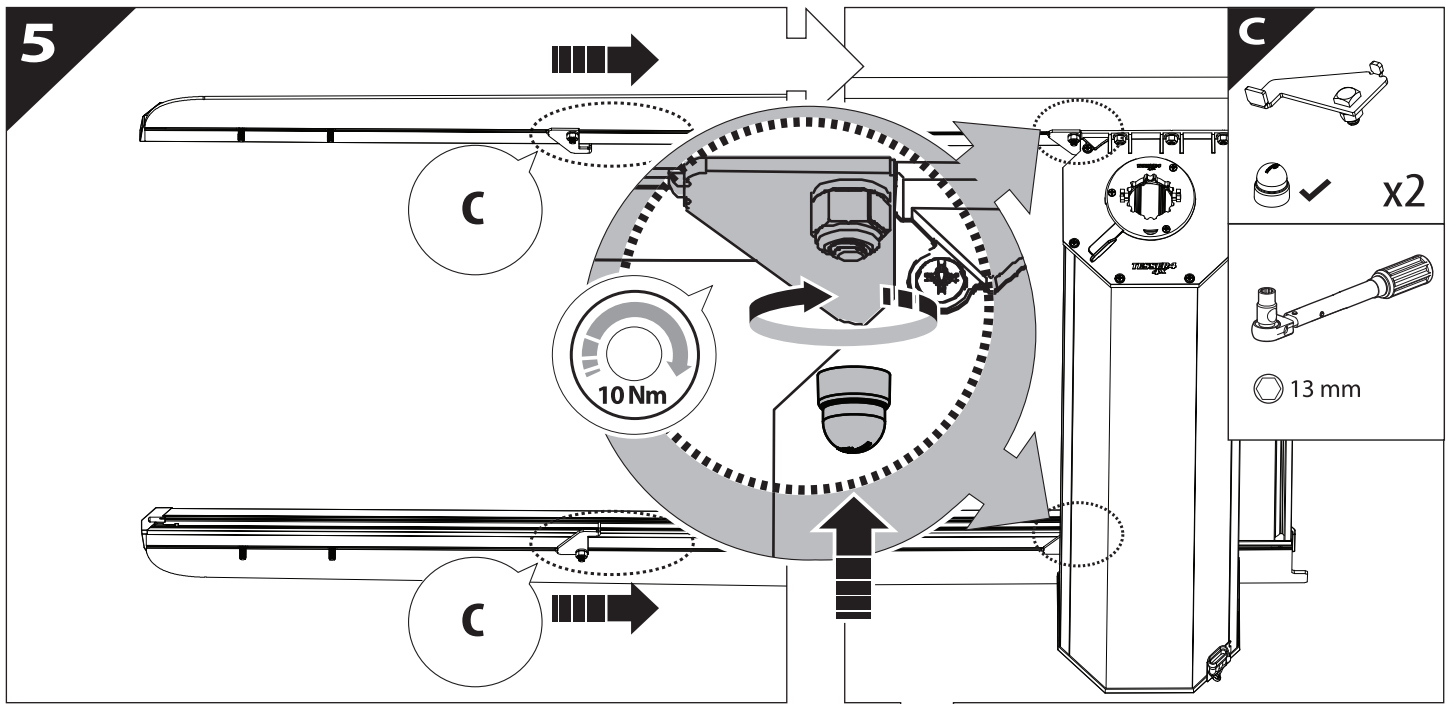


3



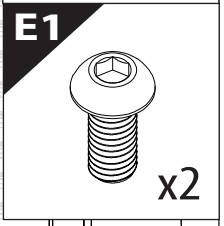
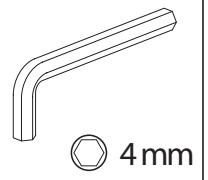
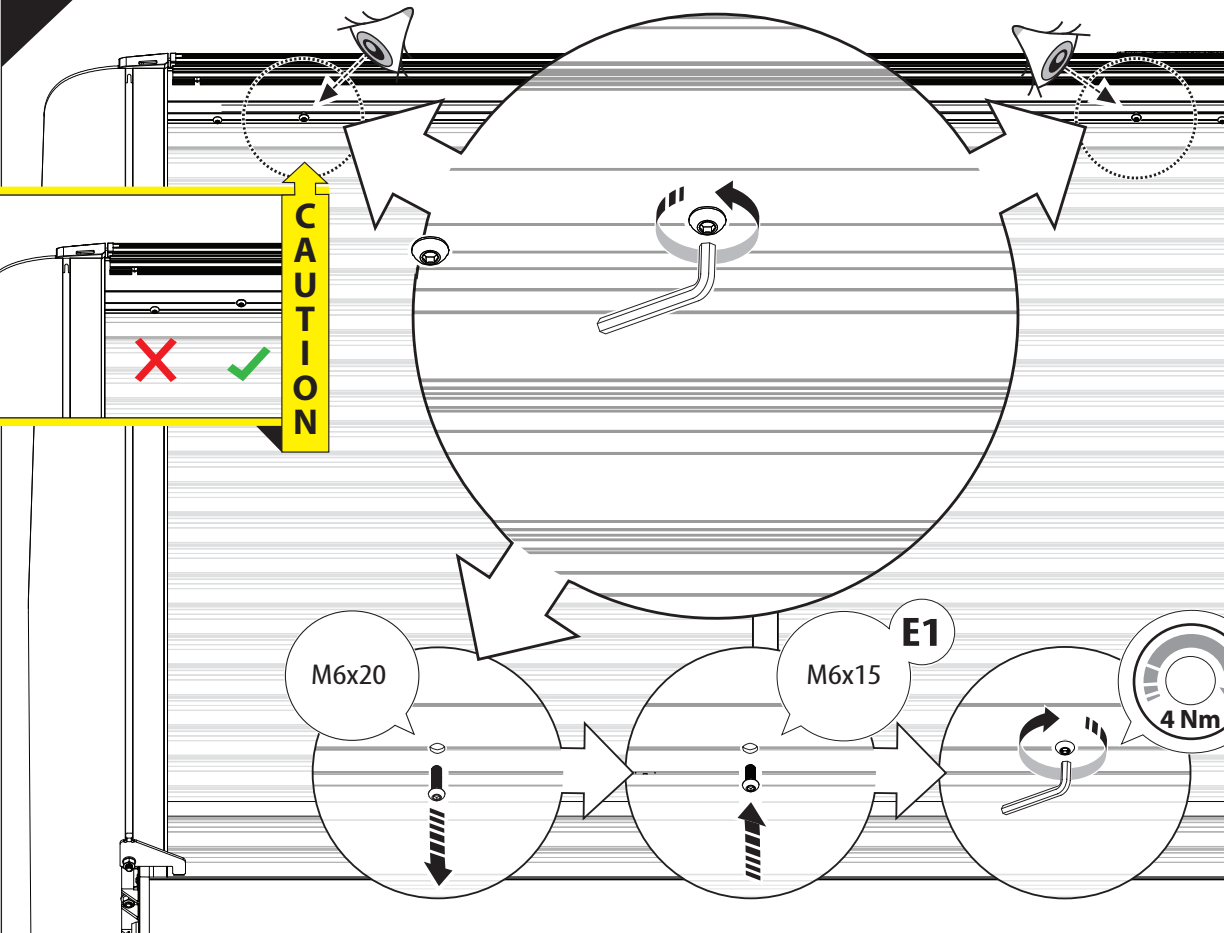
4





8

**CAUTION**



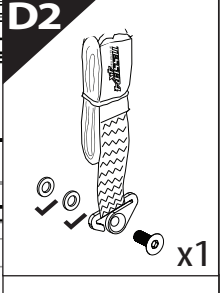
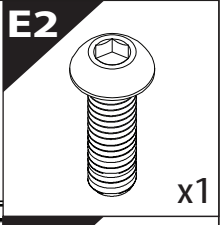
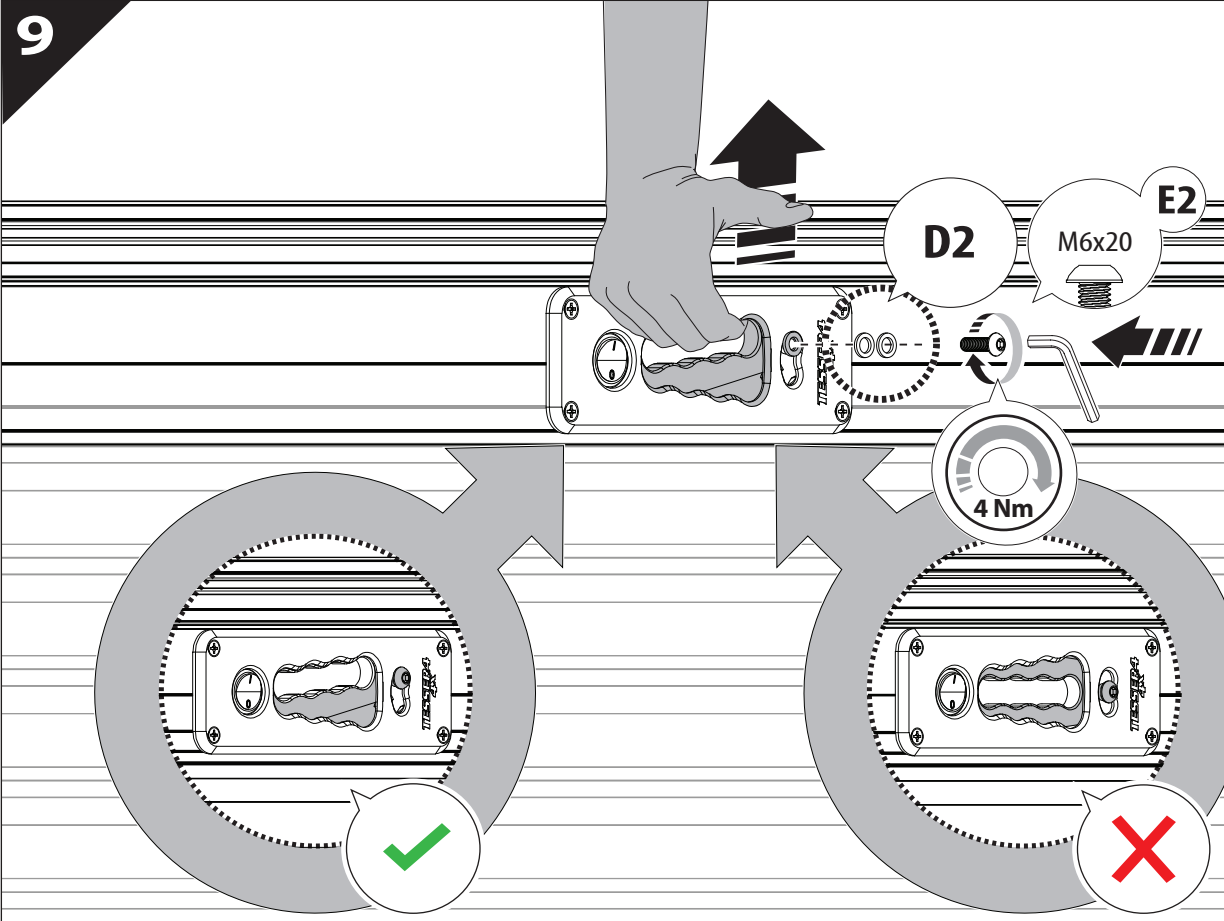
M6x20

M6x15

**E1**

4 Nm

9

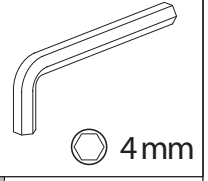


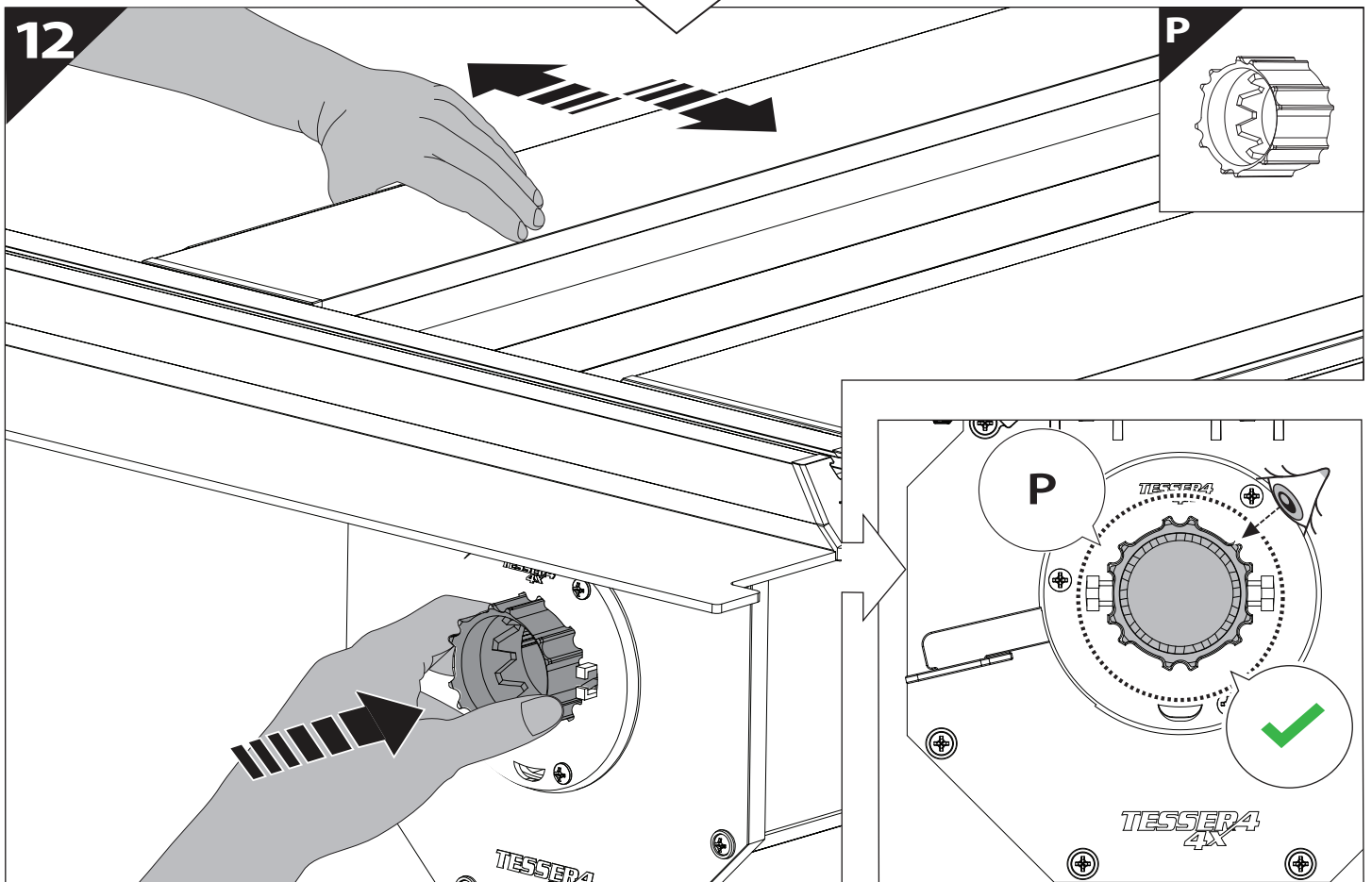
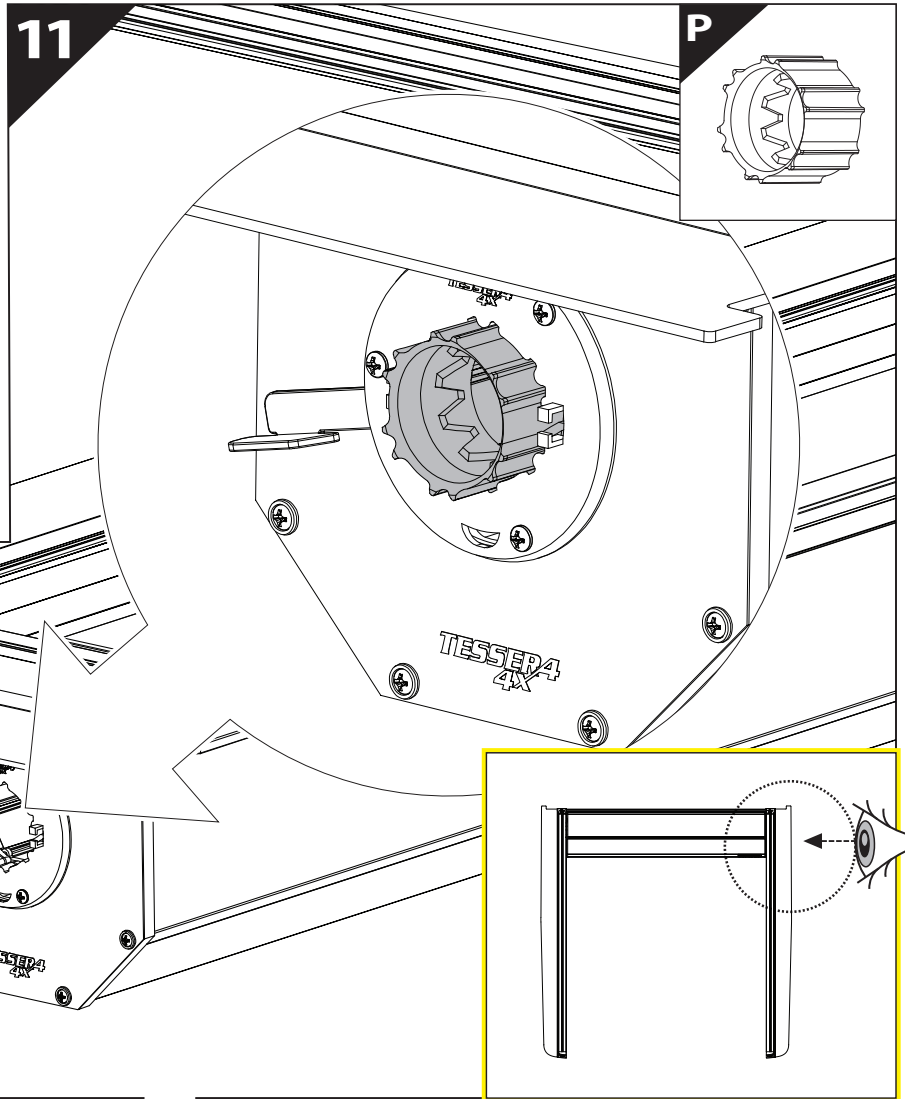
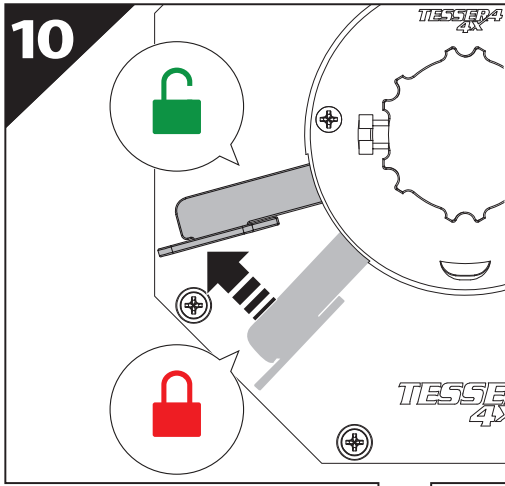
**D2**

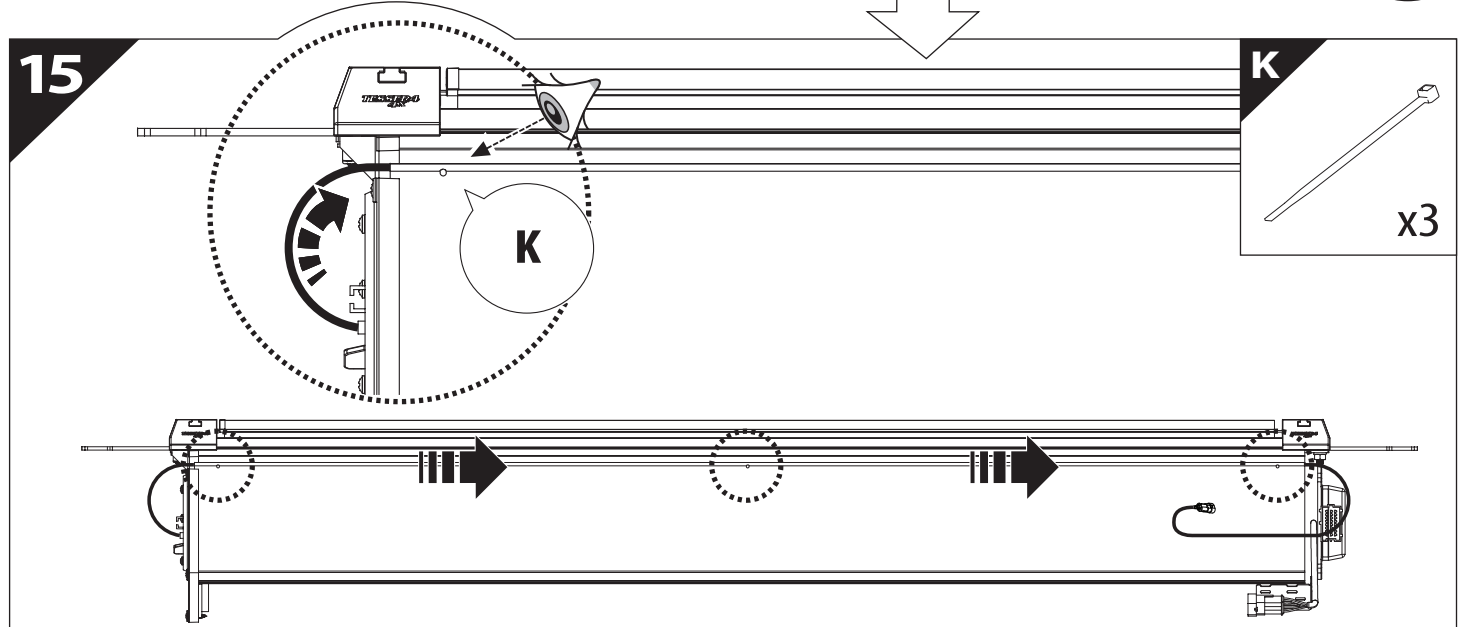
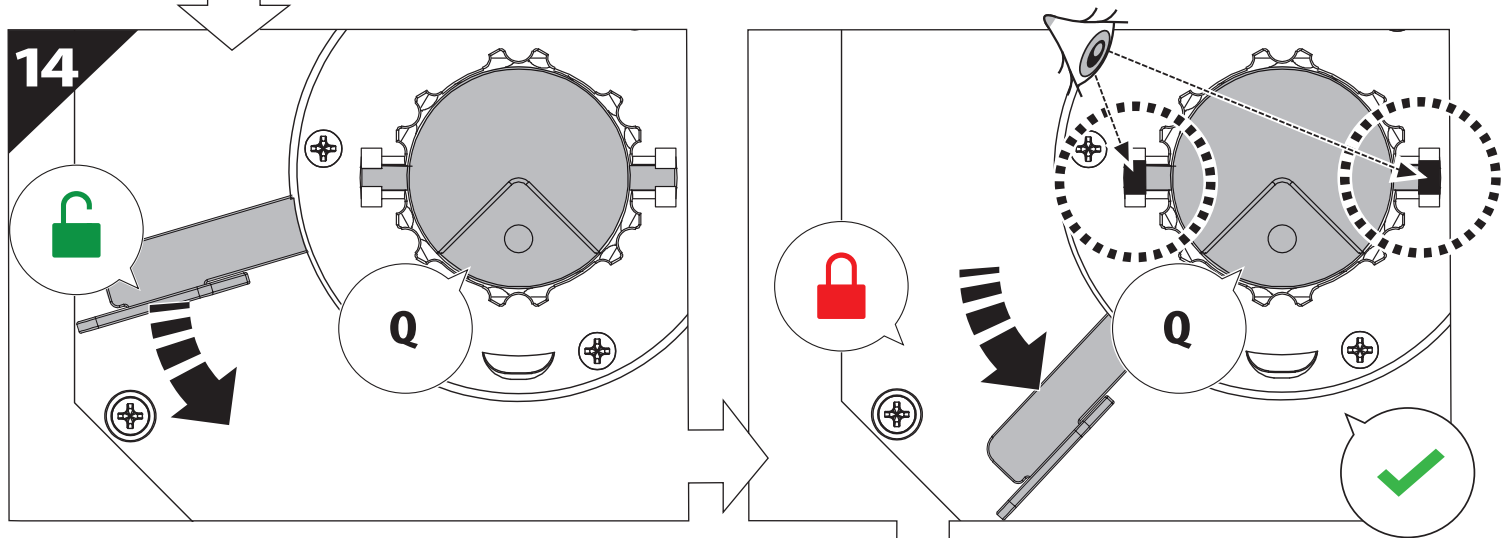
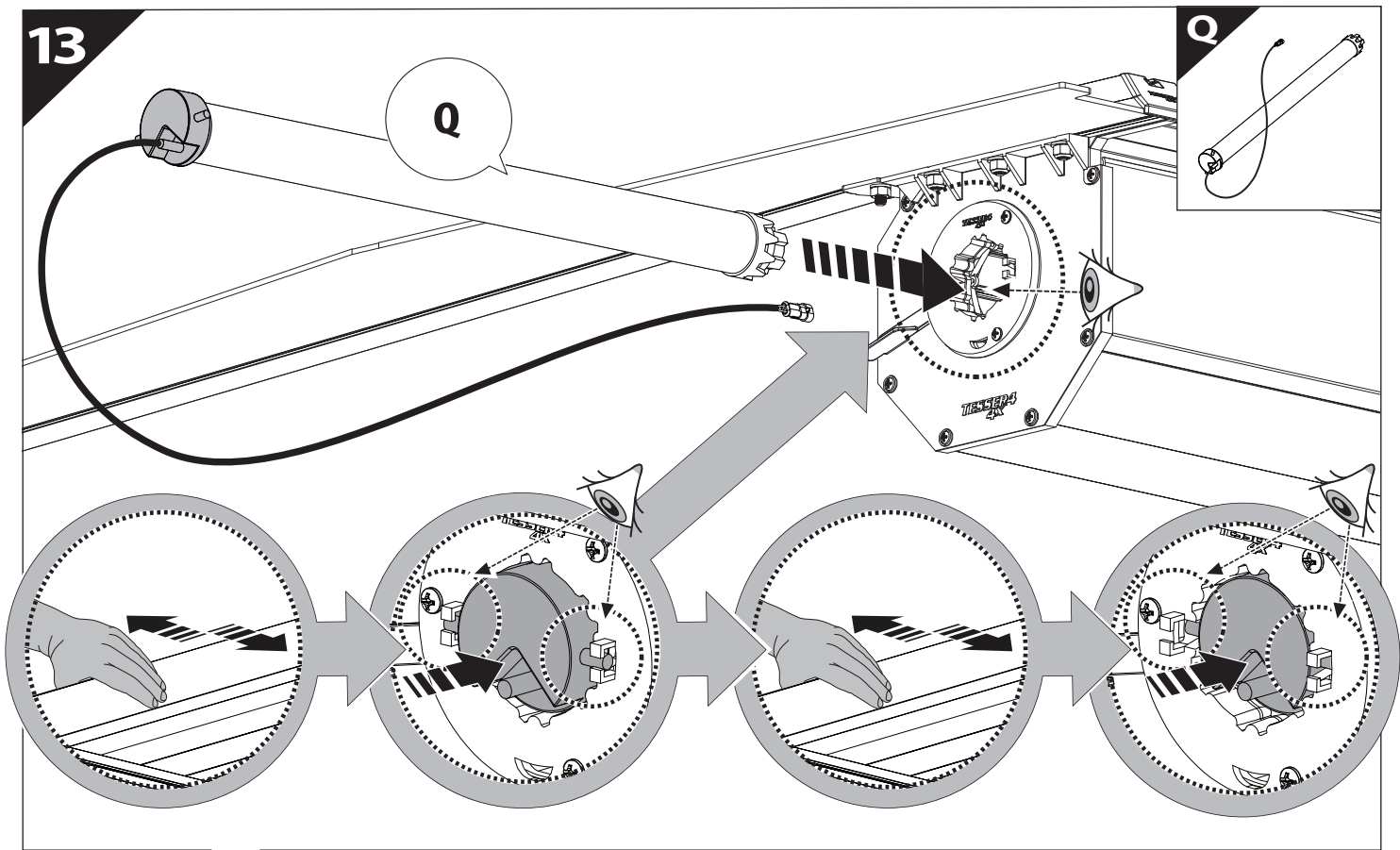
M6x20

**E2**

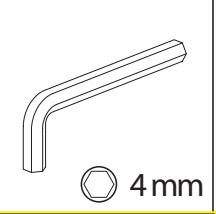
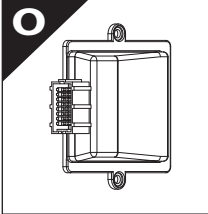
4 Nm





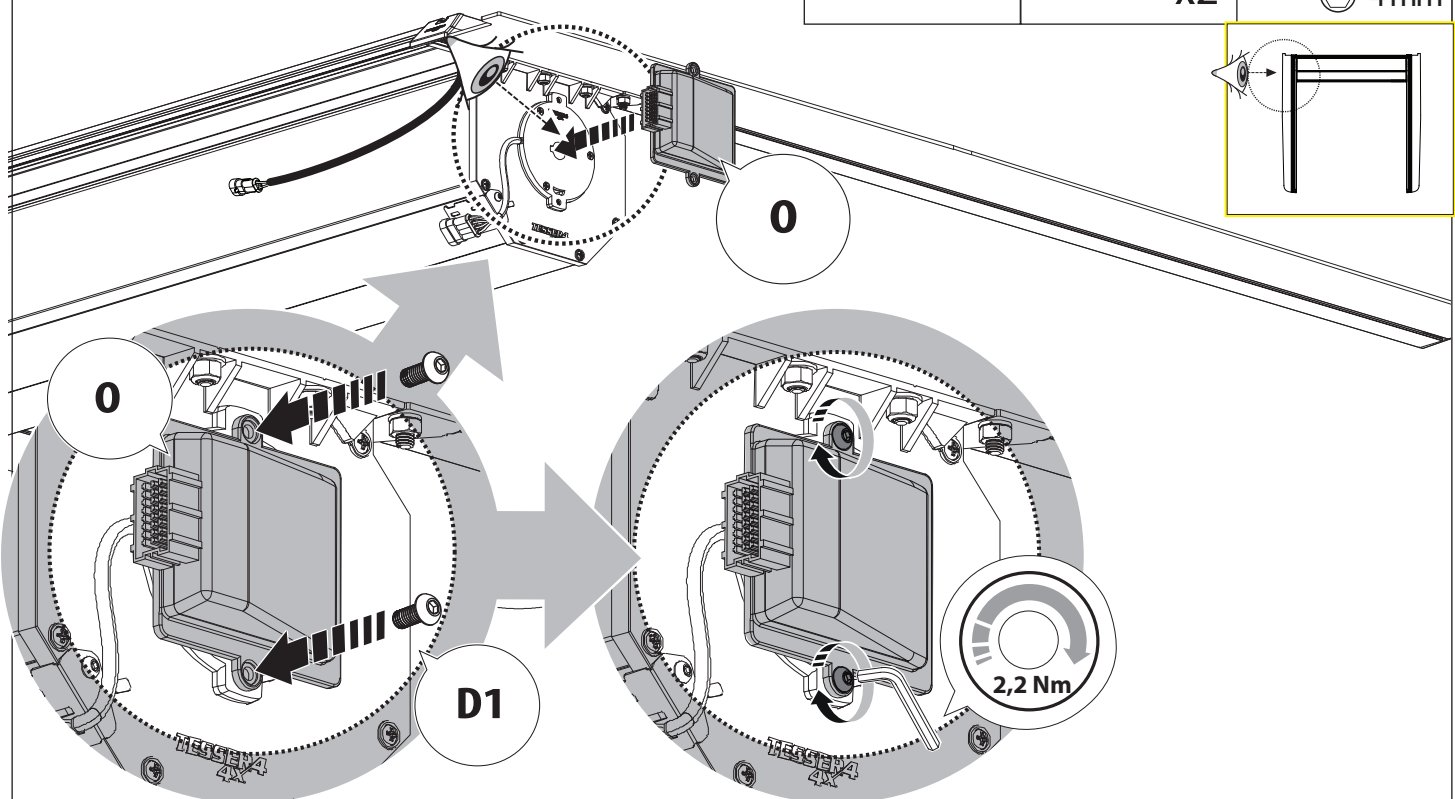
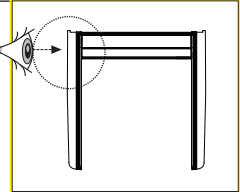


16

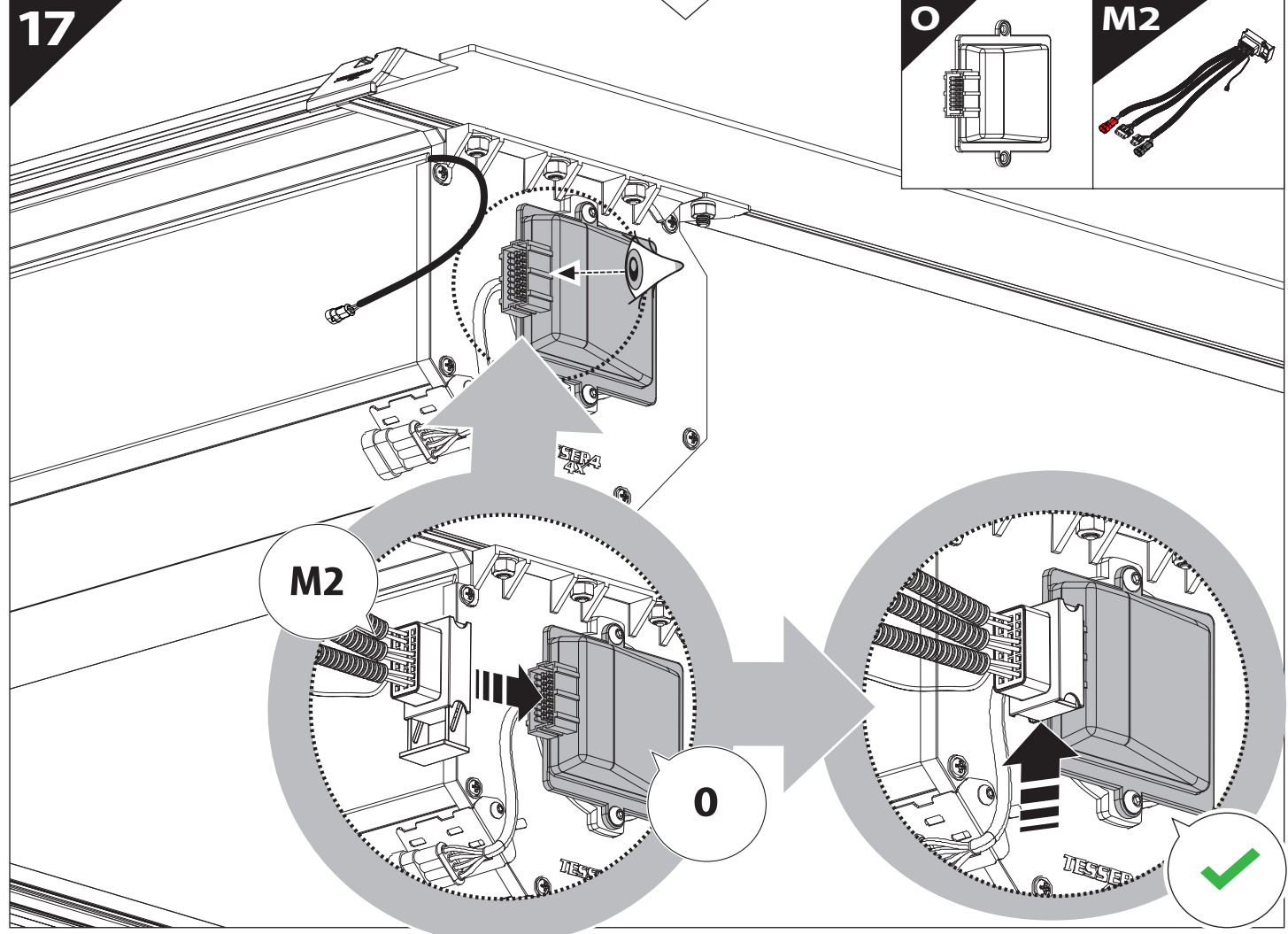
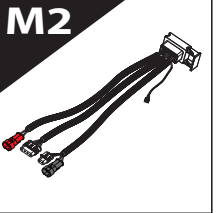
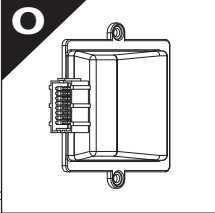


x2

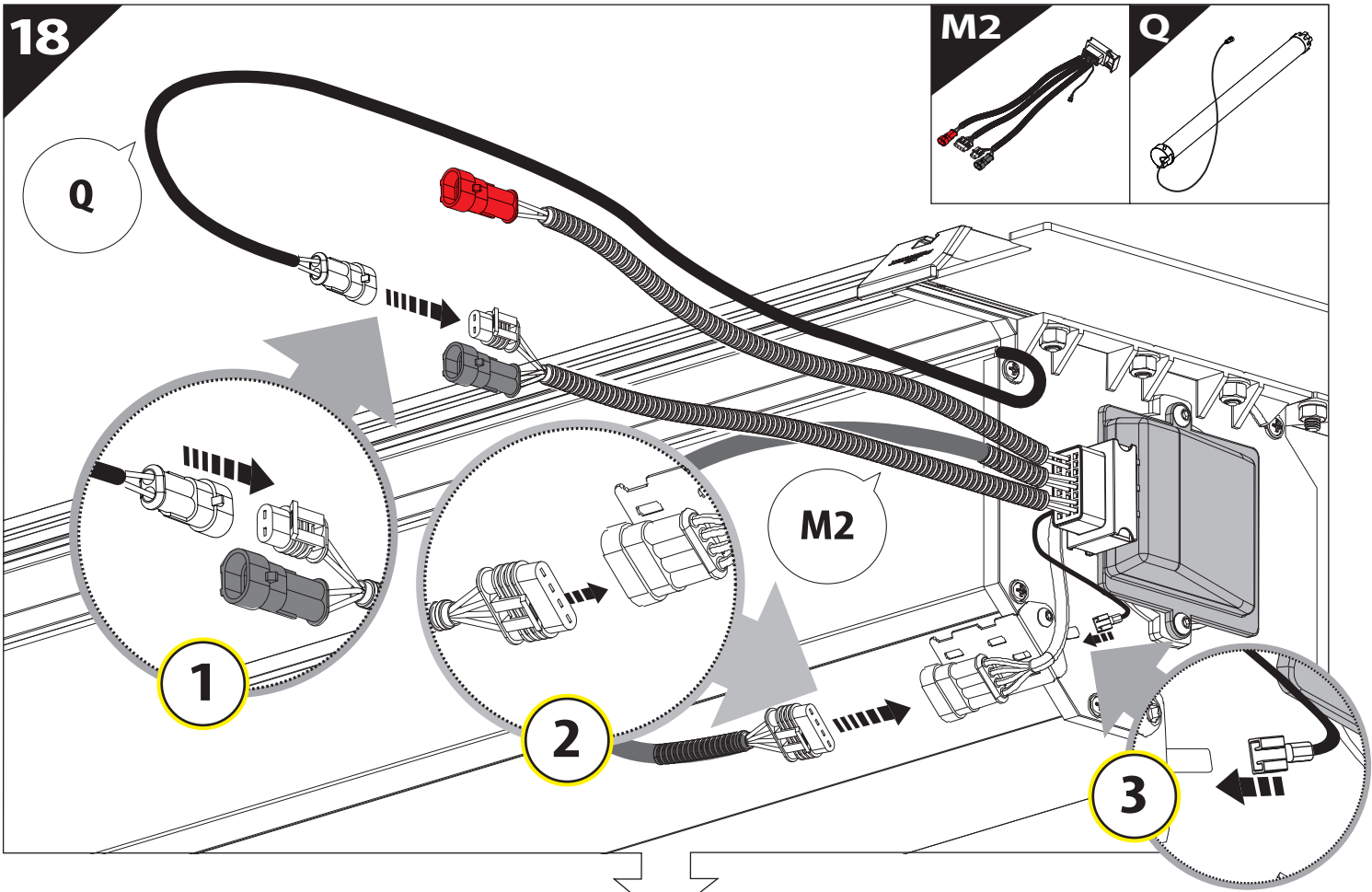
4mm



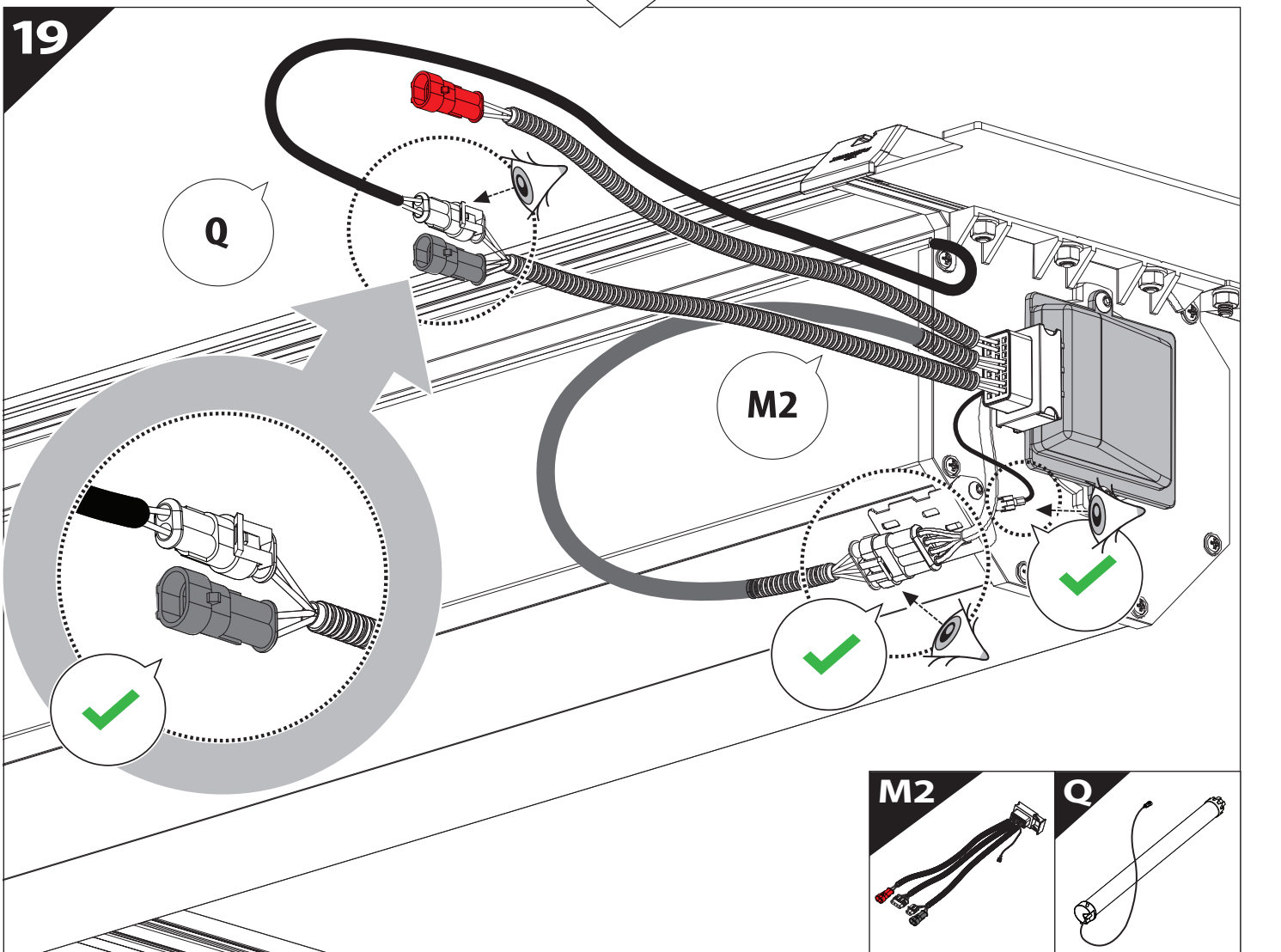
17



18

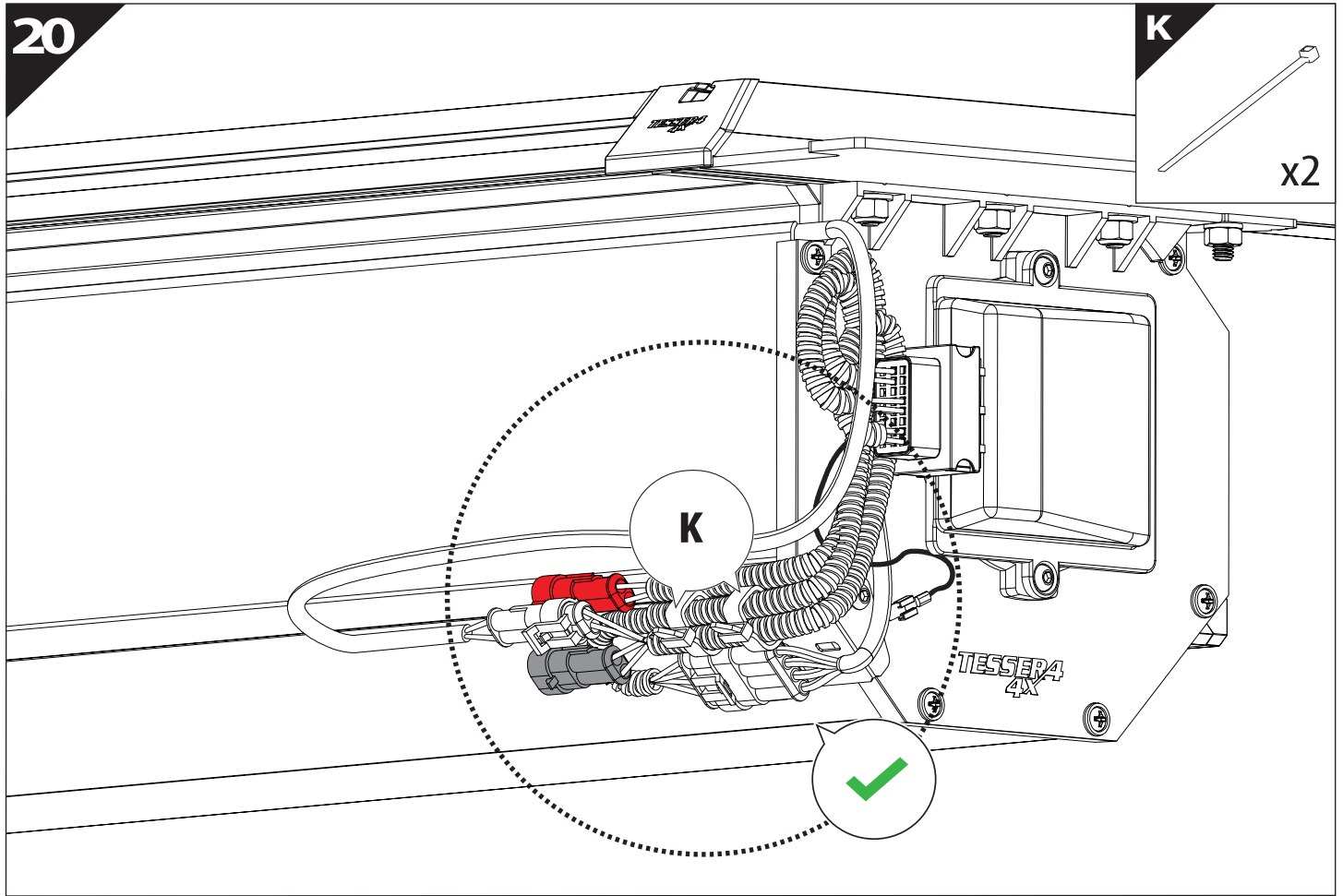


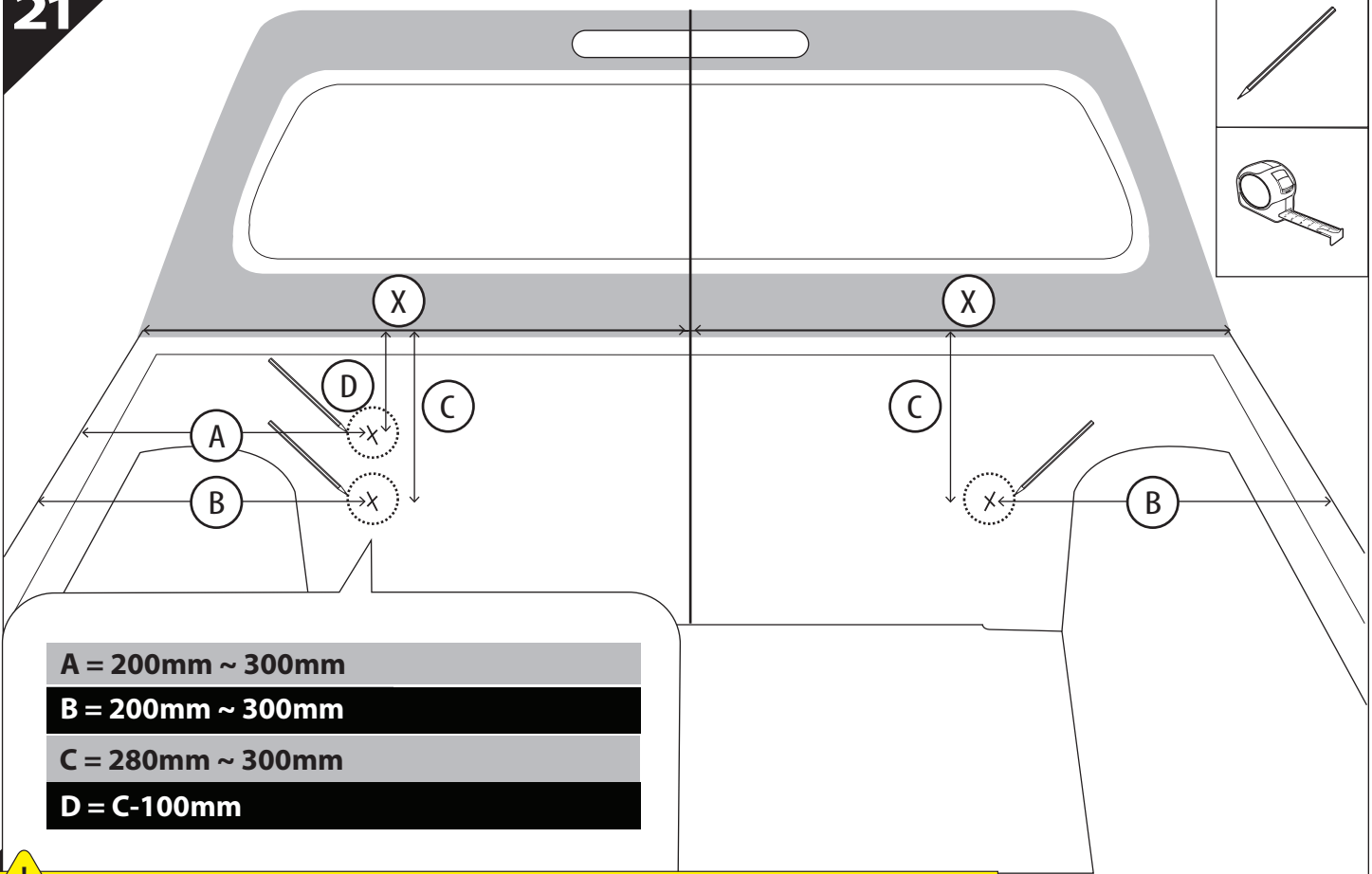
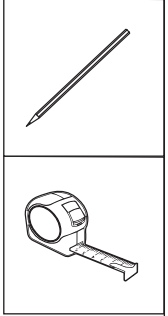
19



20

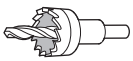
K





- A = 200mm ~ 300mm
- B = 200mm ~ 300mm
- C = 280mm ~ 300mm
- D = C-100mm

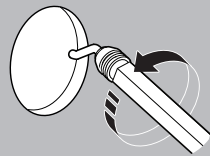
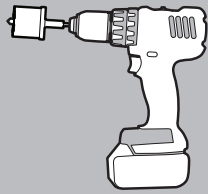
 TRY TO FIND FREE & STRAIGHT SPOTS IN THESE DIMENSIONS ACCORDINGLY



Ø 25 mm

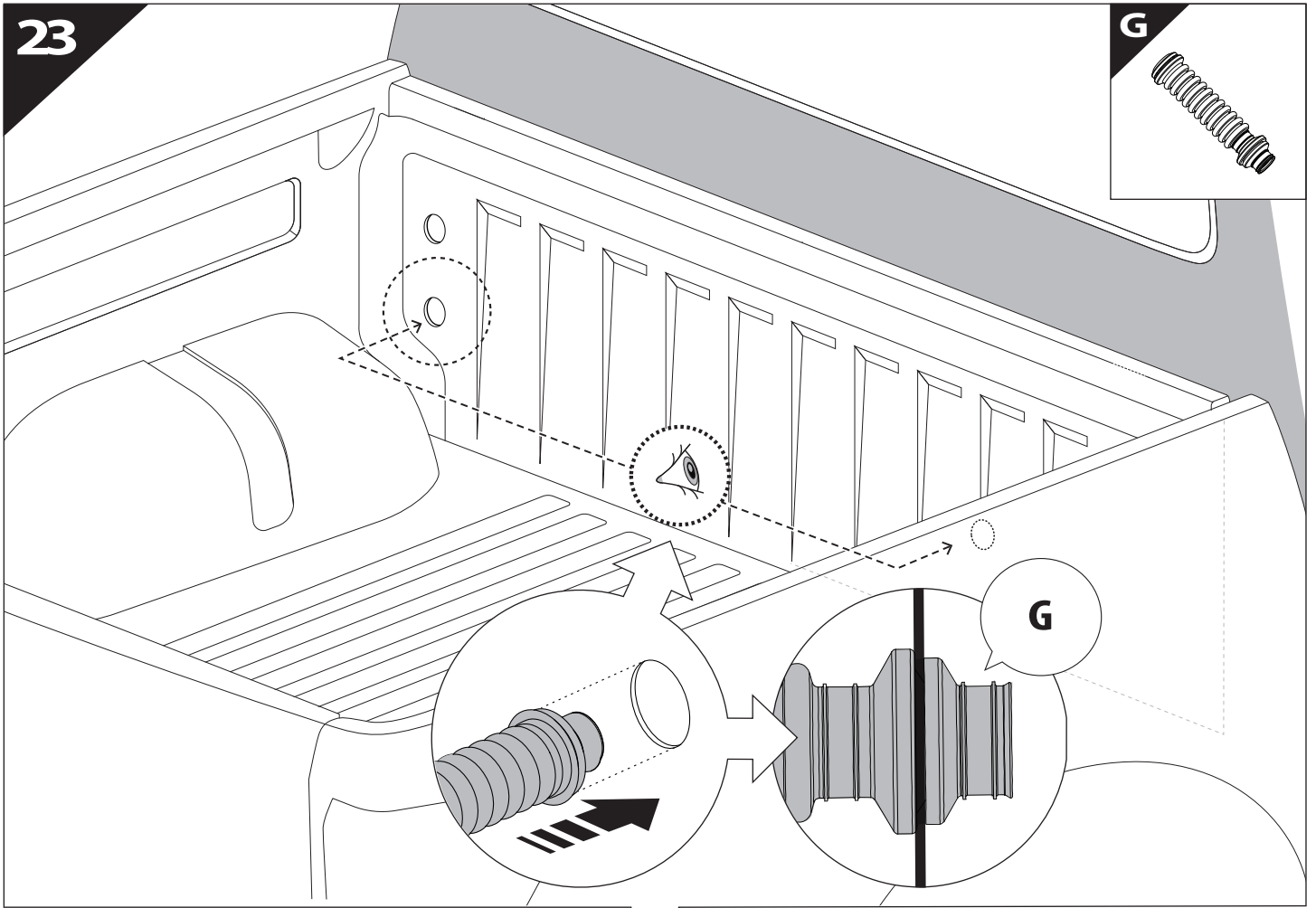


Rust  
Protection



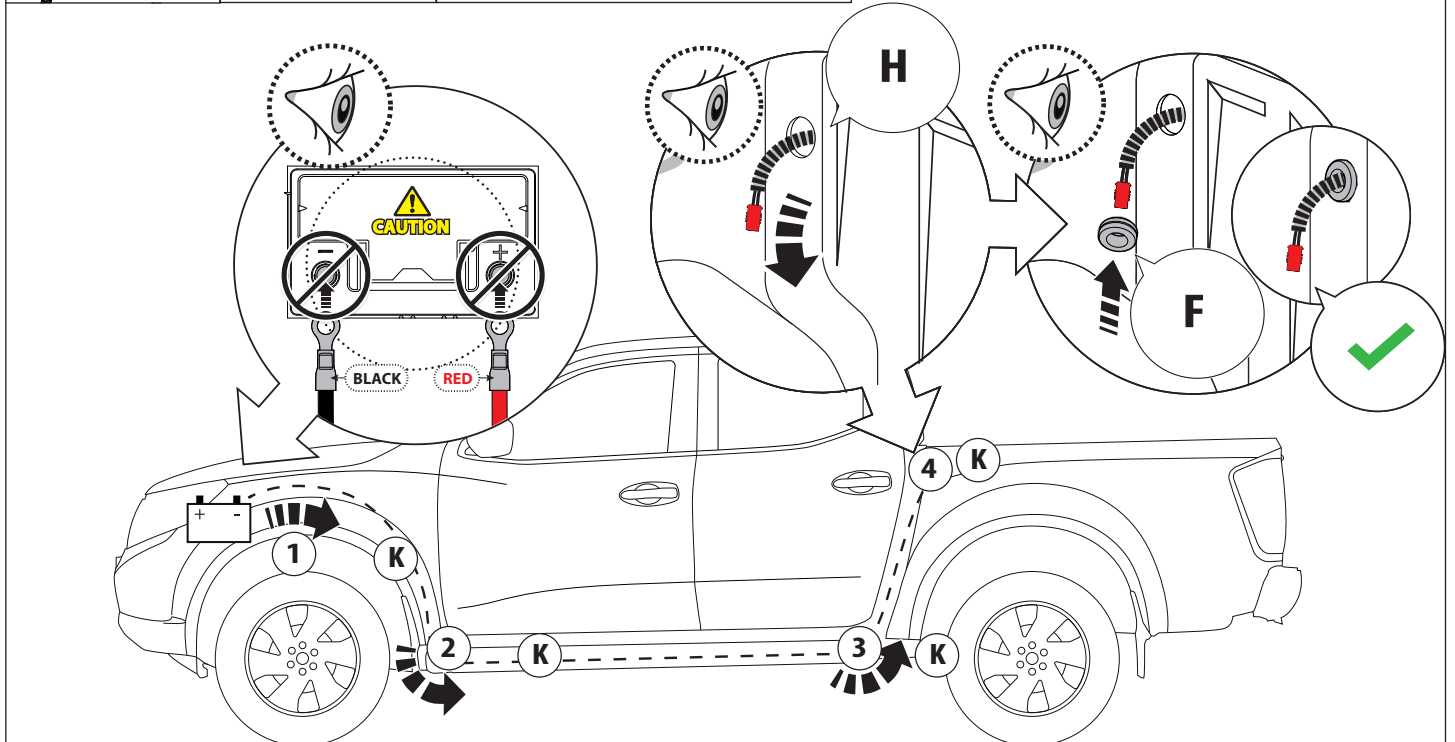
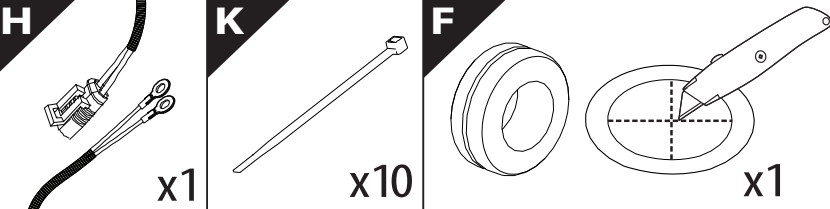
23

G



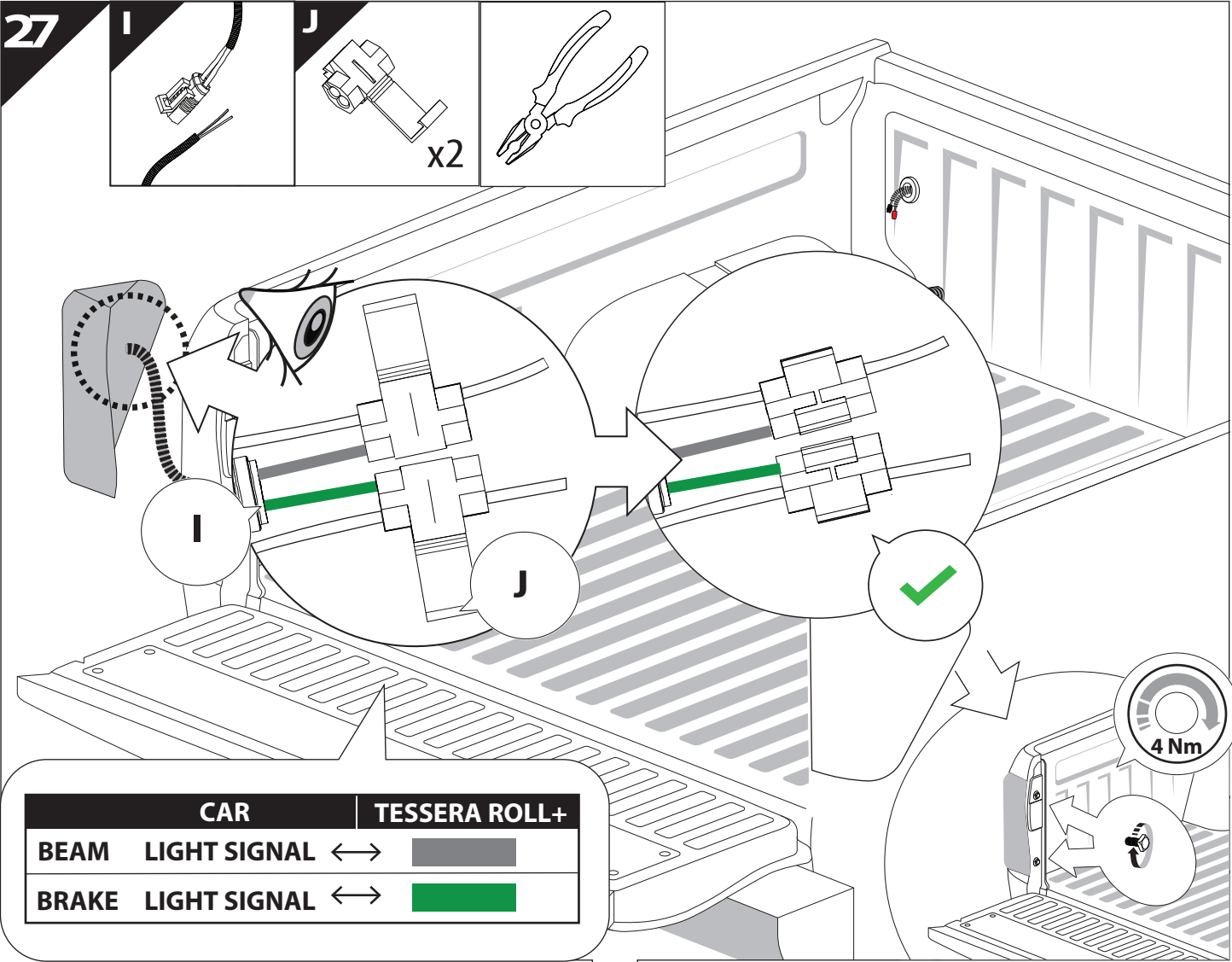
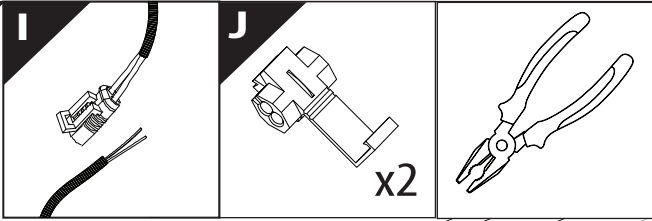
24

Only to be installed by authorized personnel



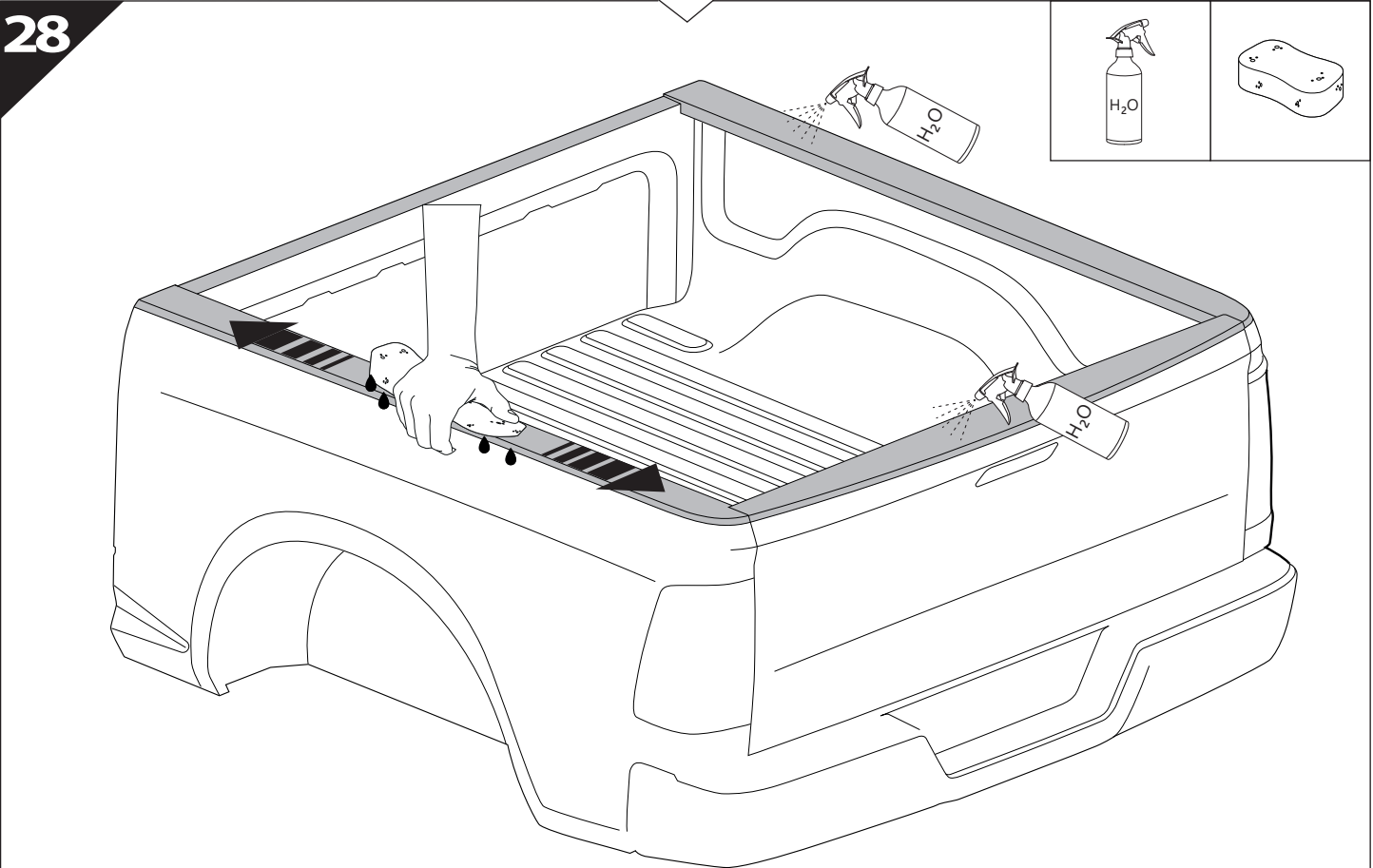
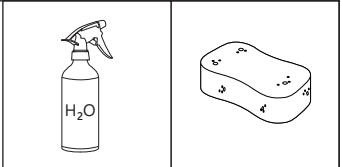


27

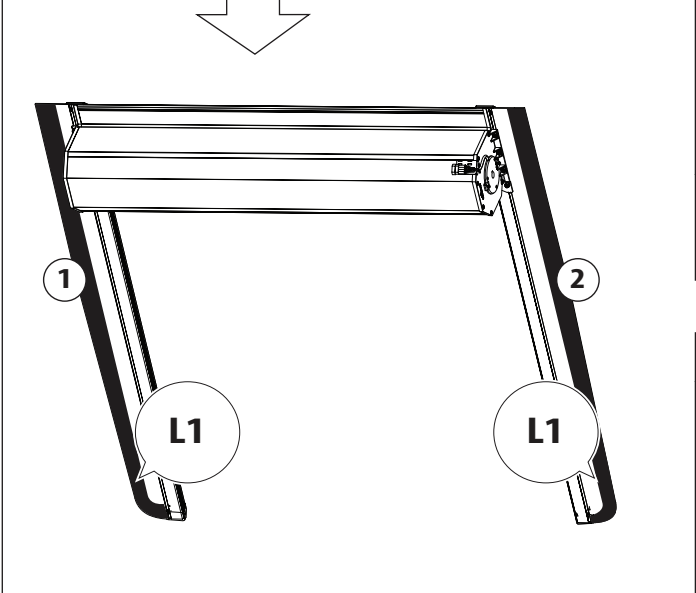
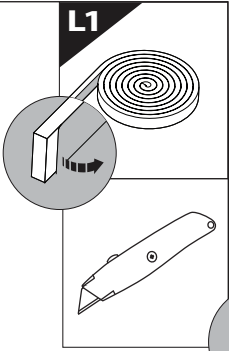


	CAR		TESSERA ROLL+
BEAM	LIGHT SIGNAL	↔	■
BRAKE	LIGHT SIGNAL	↔	■

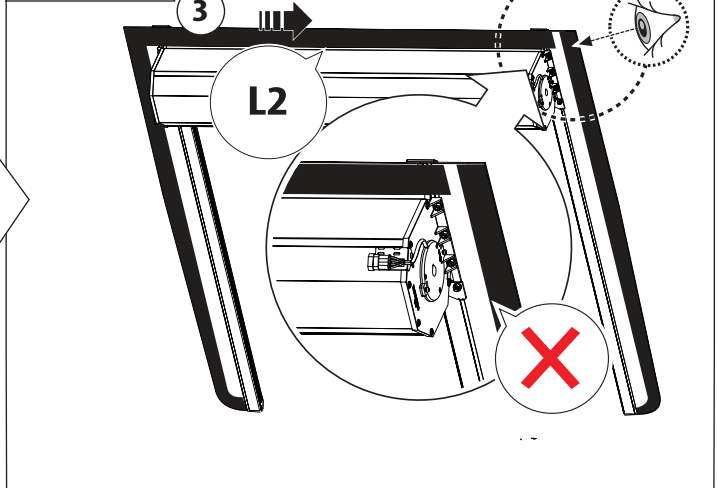
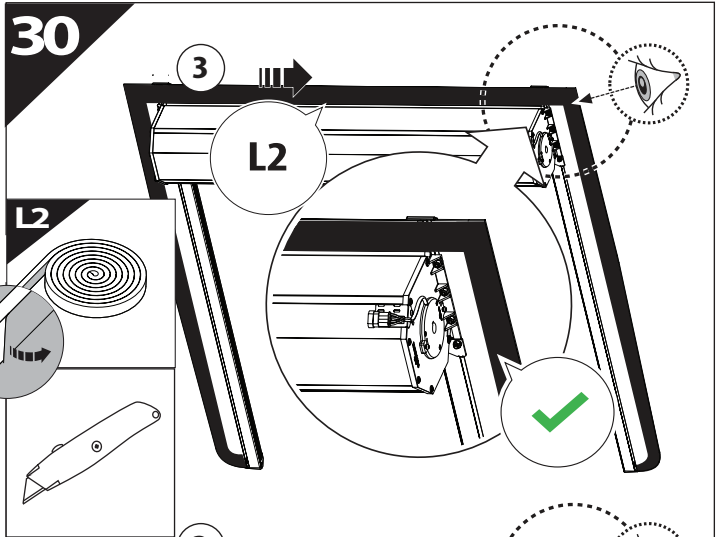
28

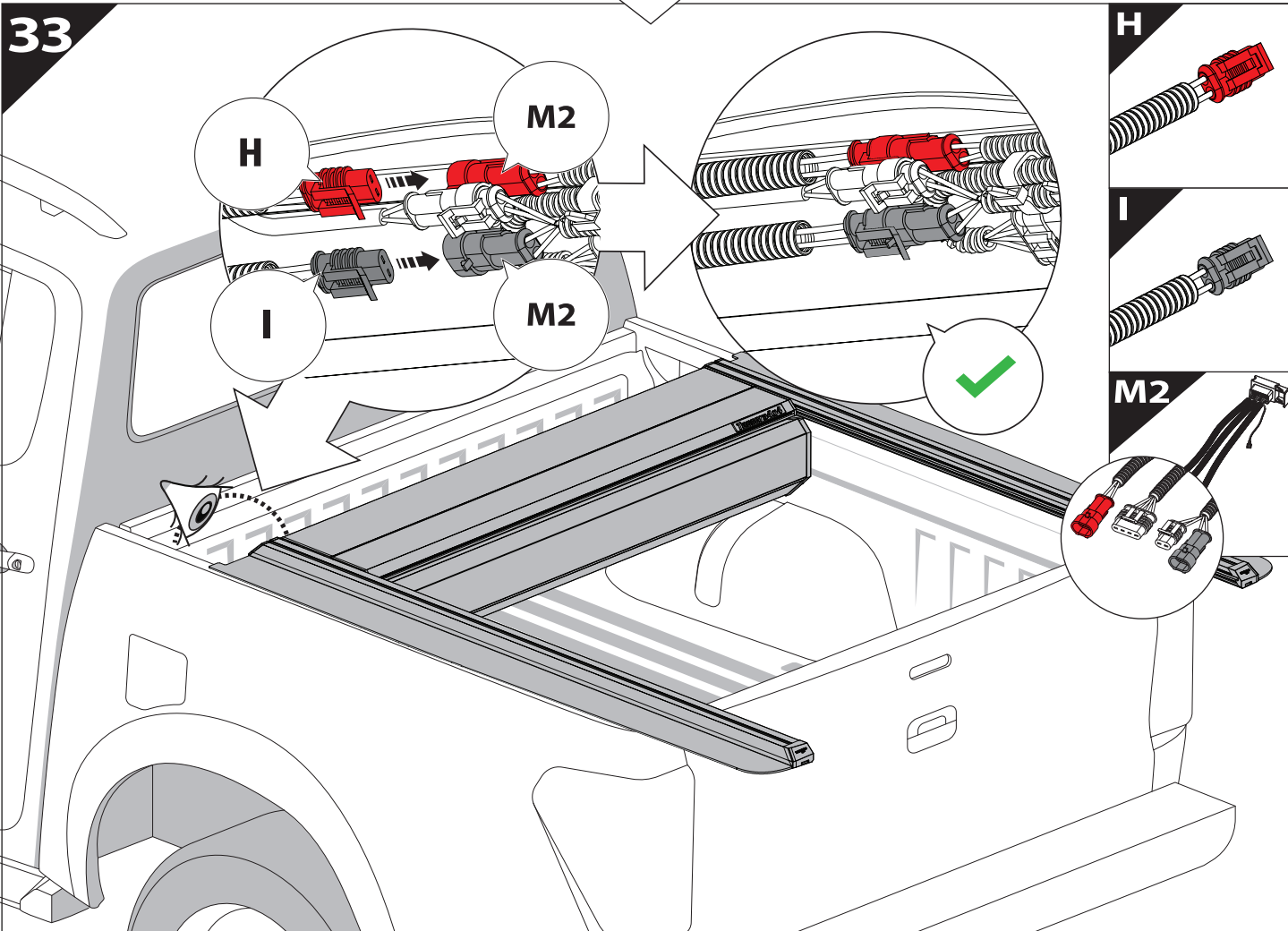
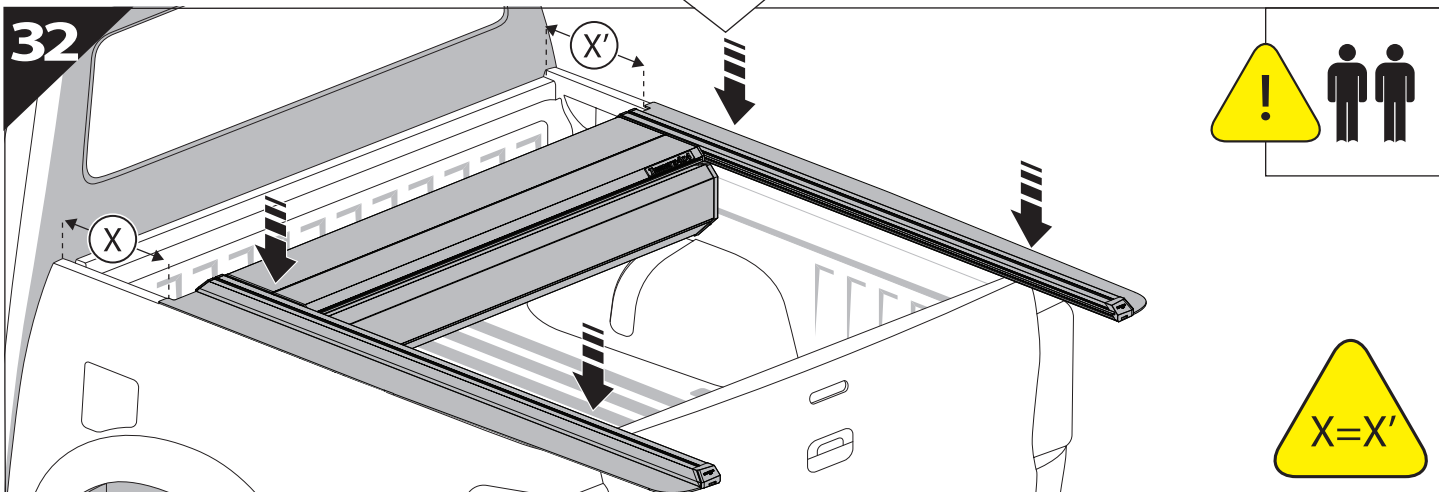
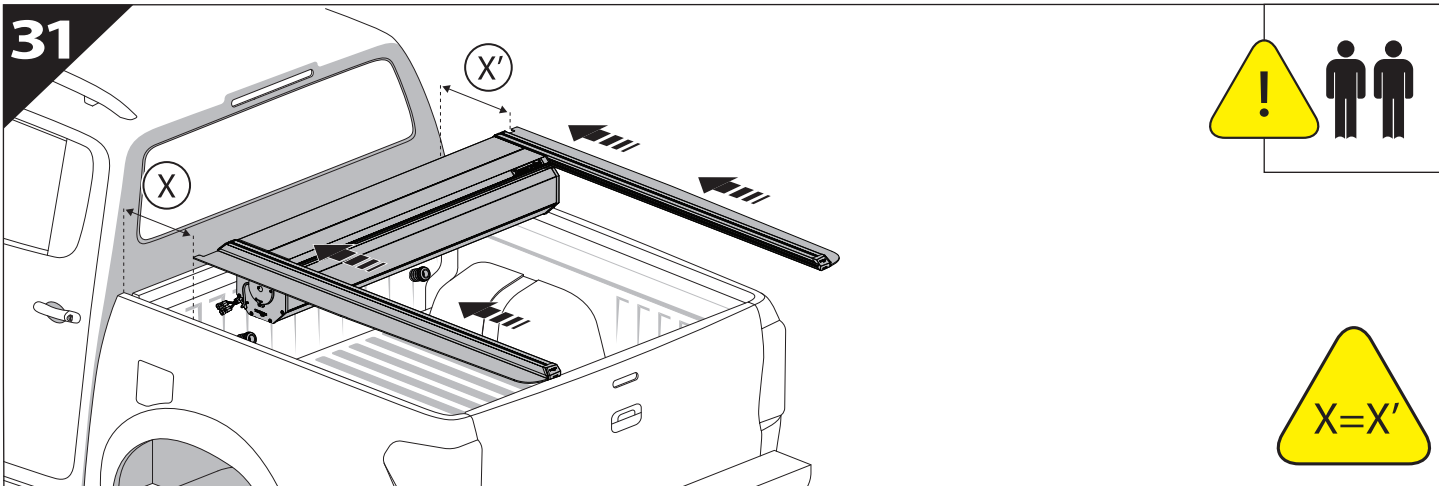


29



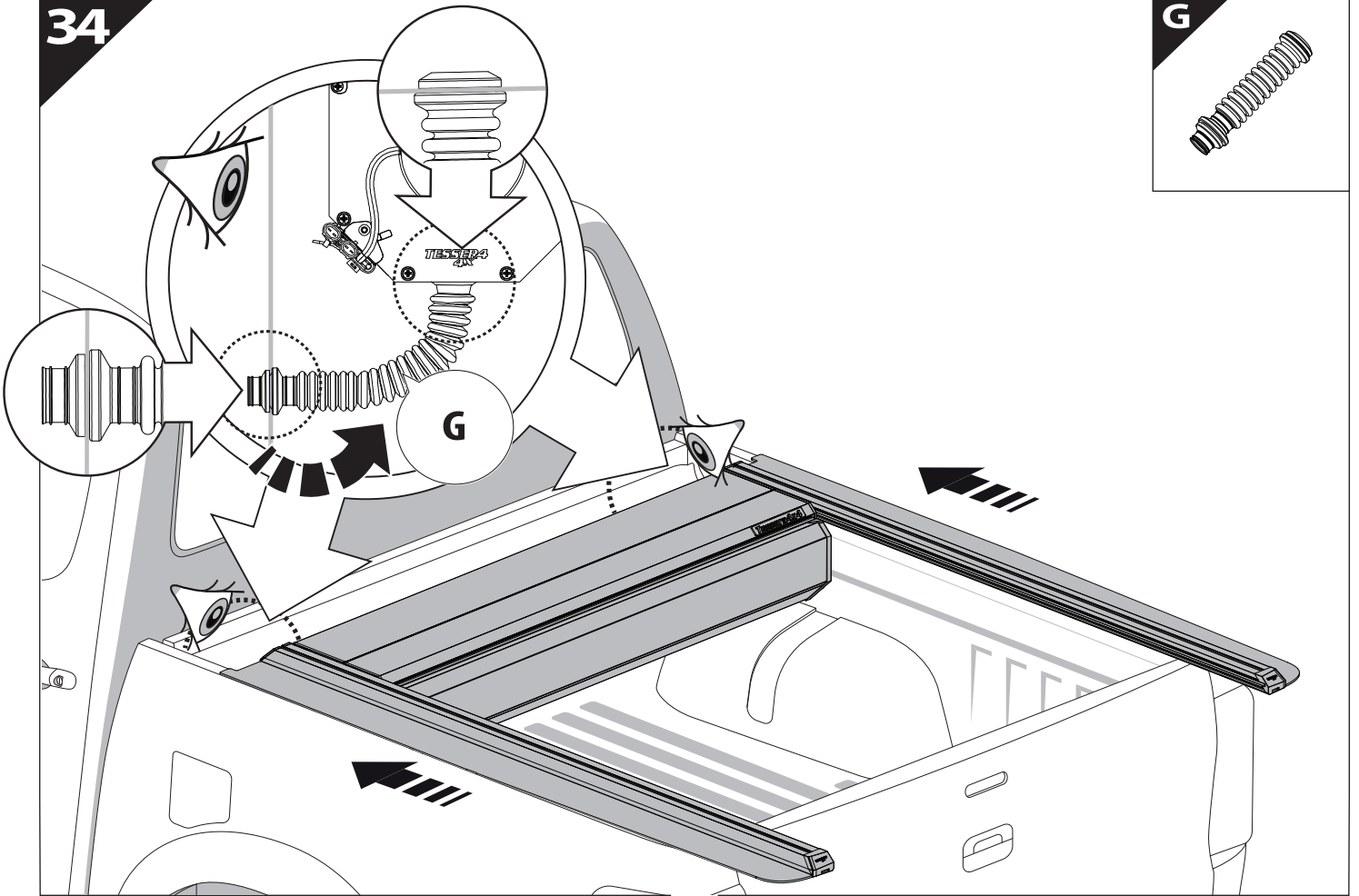
30



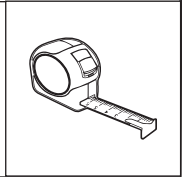
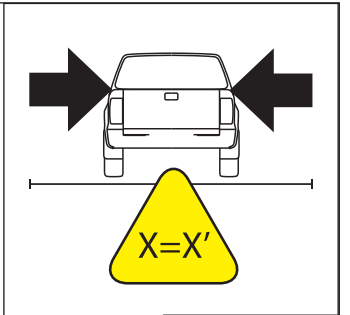
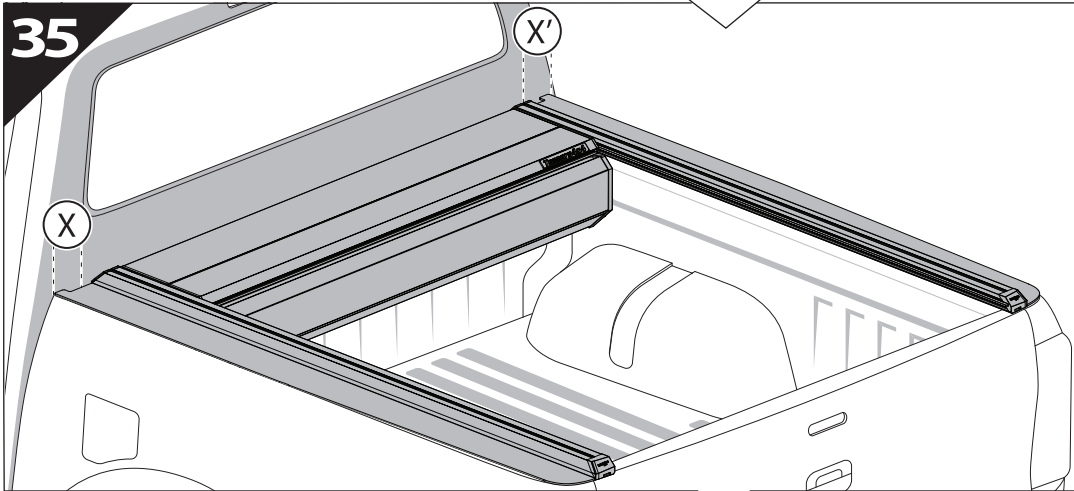


34

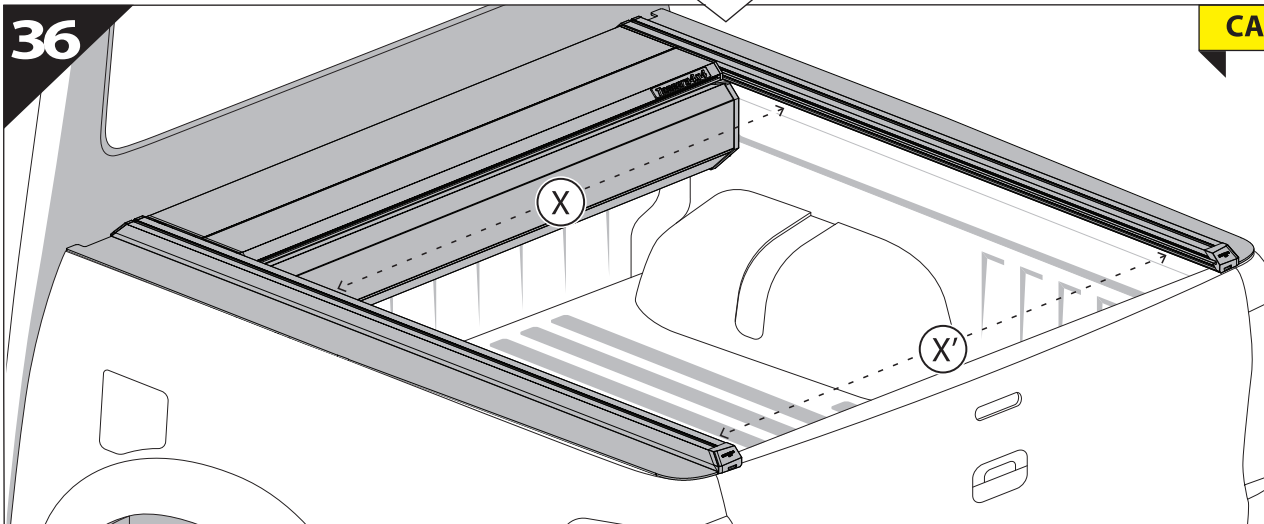
G



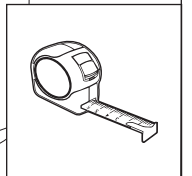
35



36

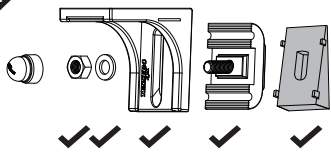


CAUTION !

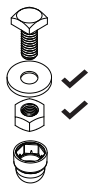


37

N



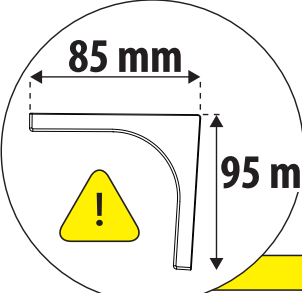
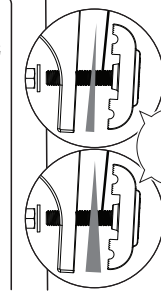
E



3 mm

9 mm

CAUTION

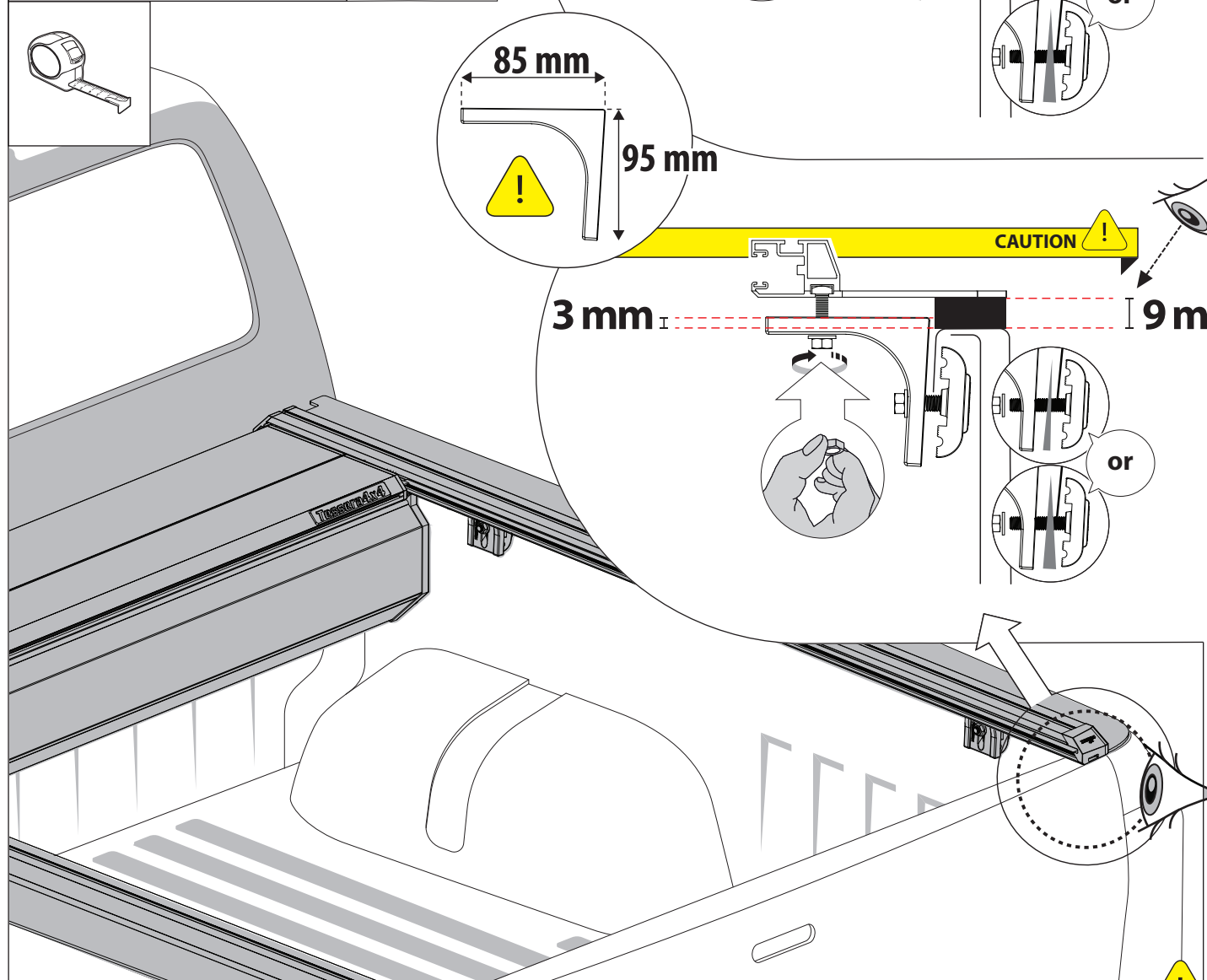
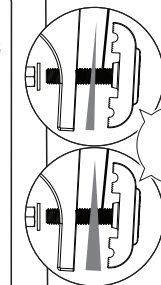
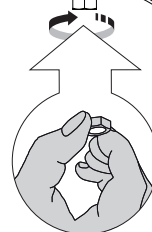


CAUTION

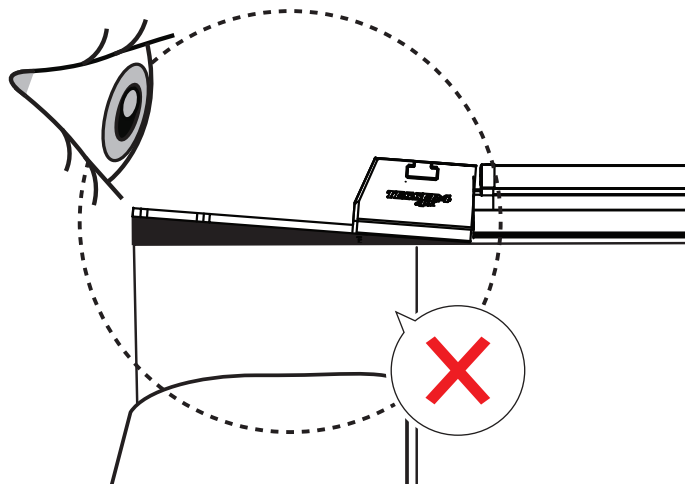
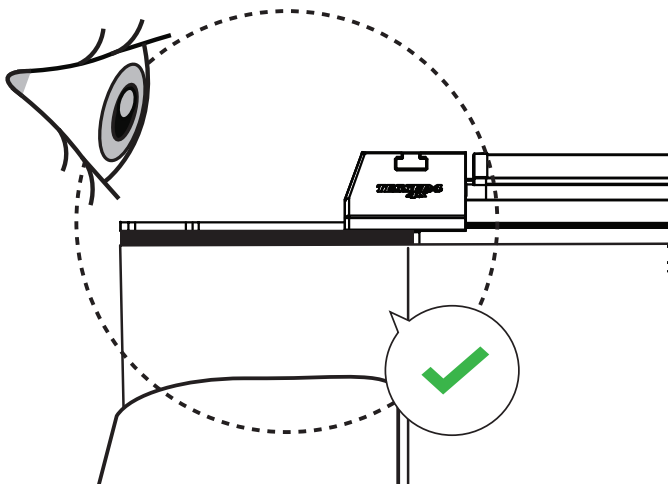


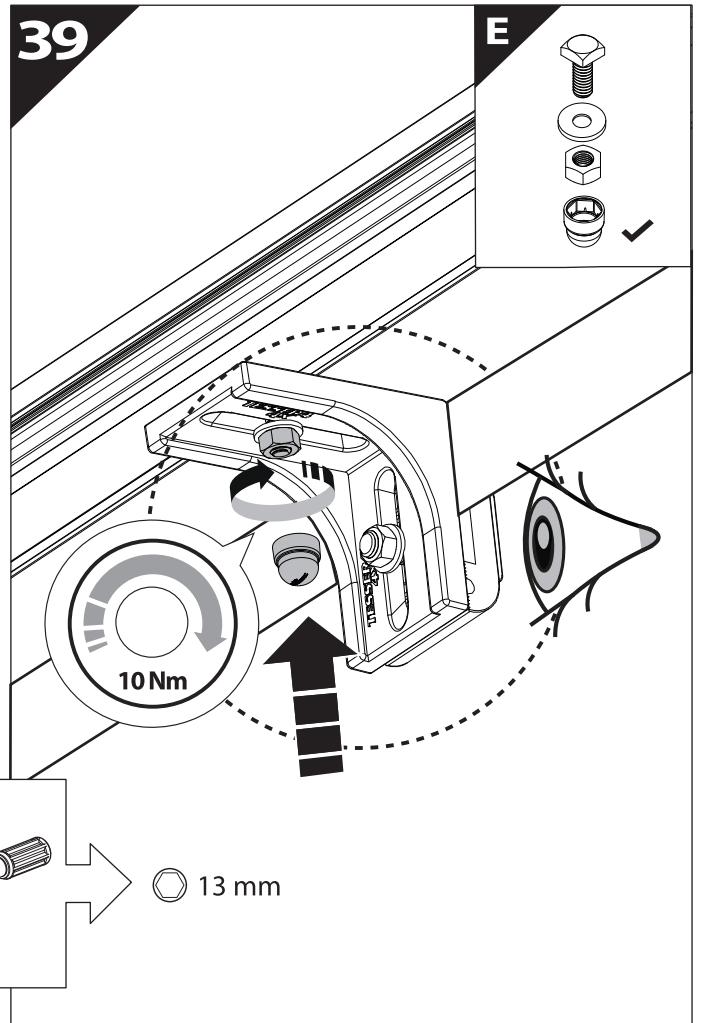
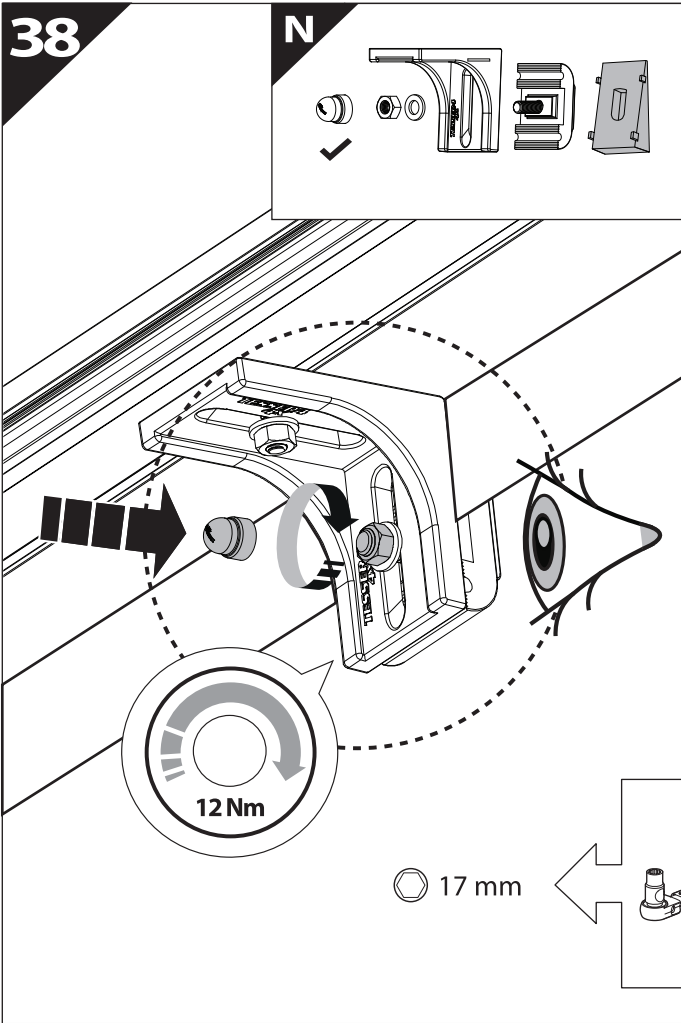
3 mm

9 mm

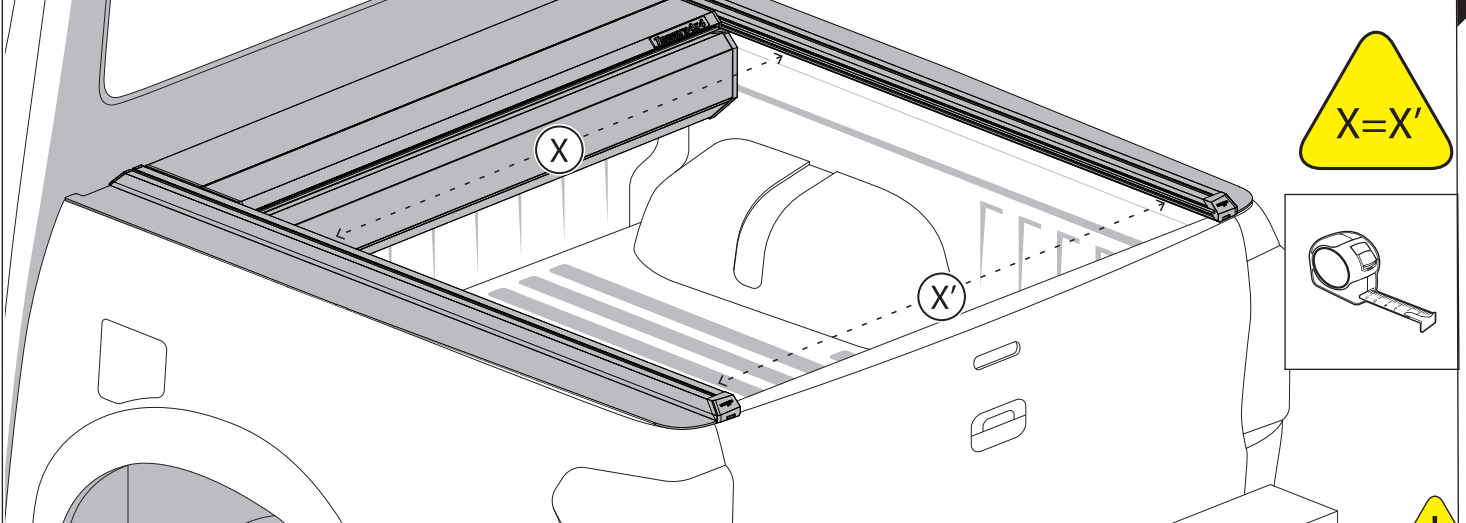


CAUTION

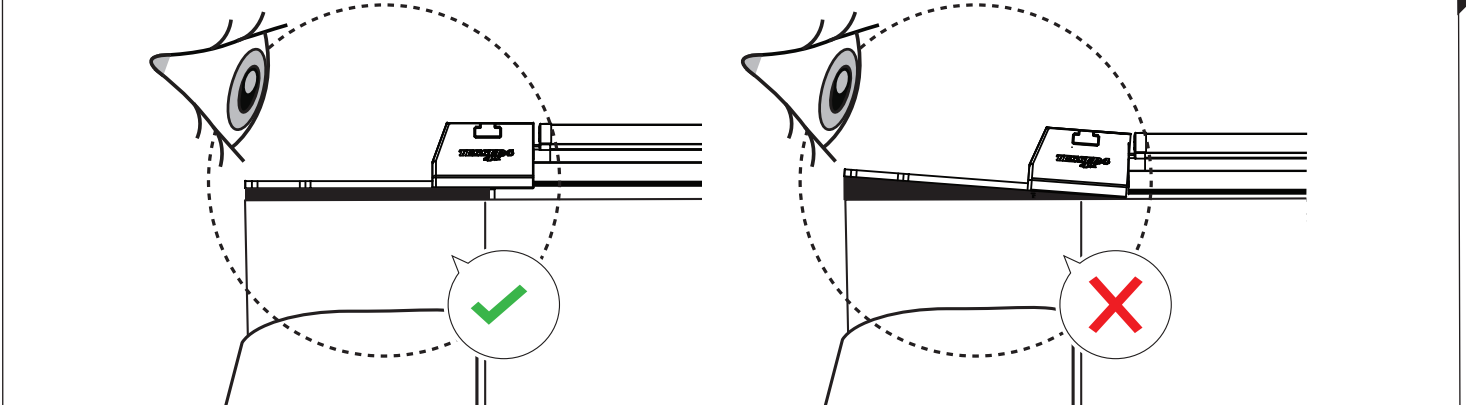




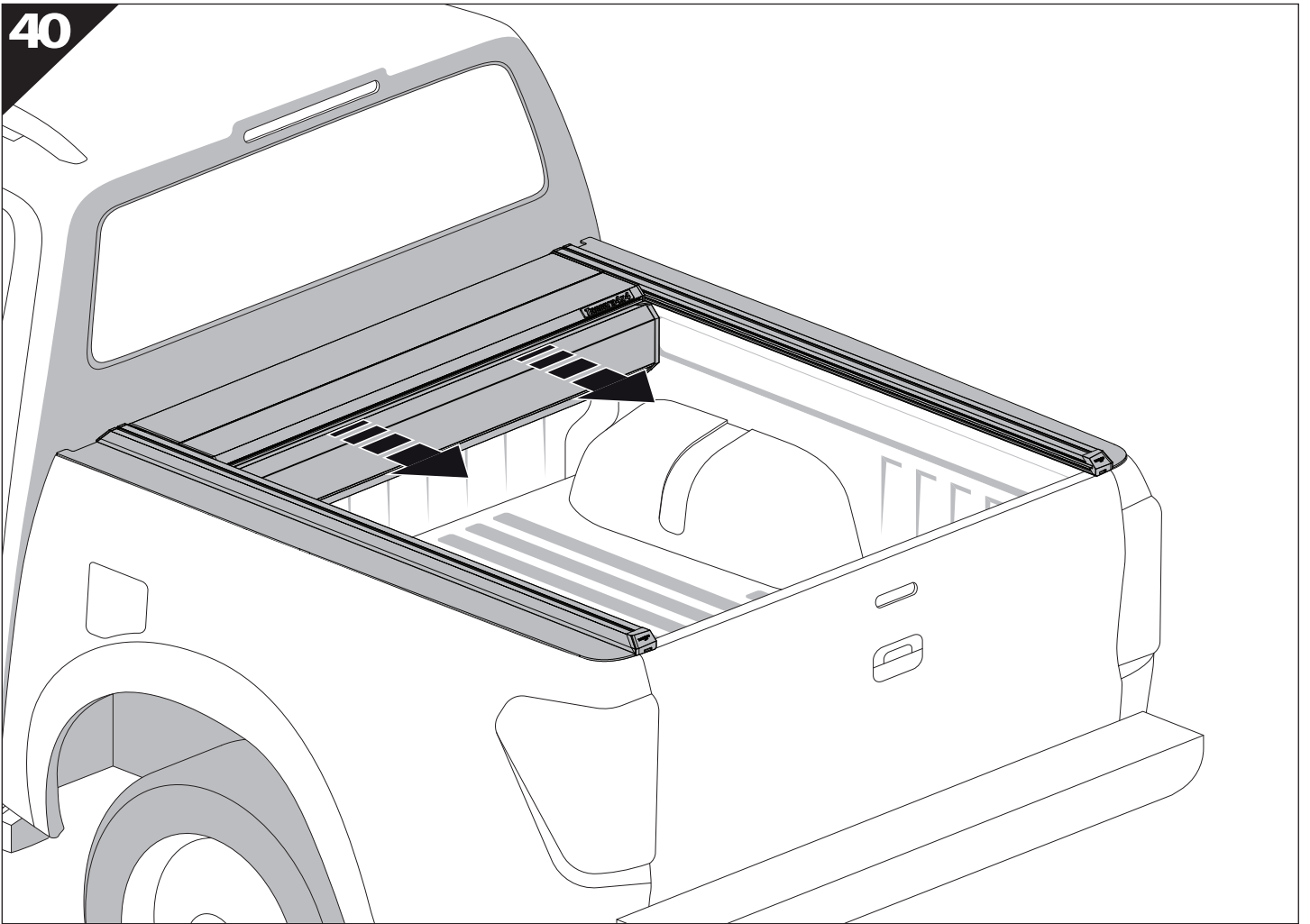
**CAUTION** !



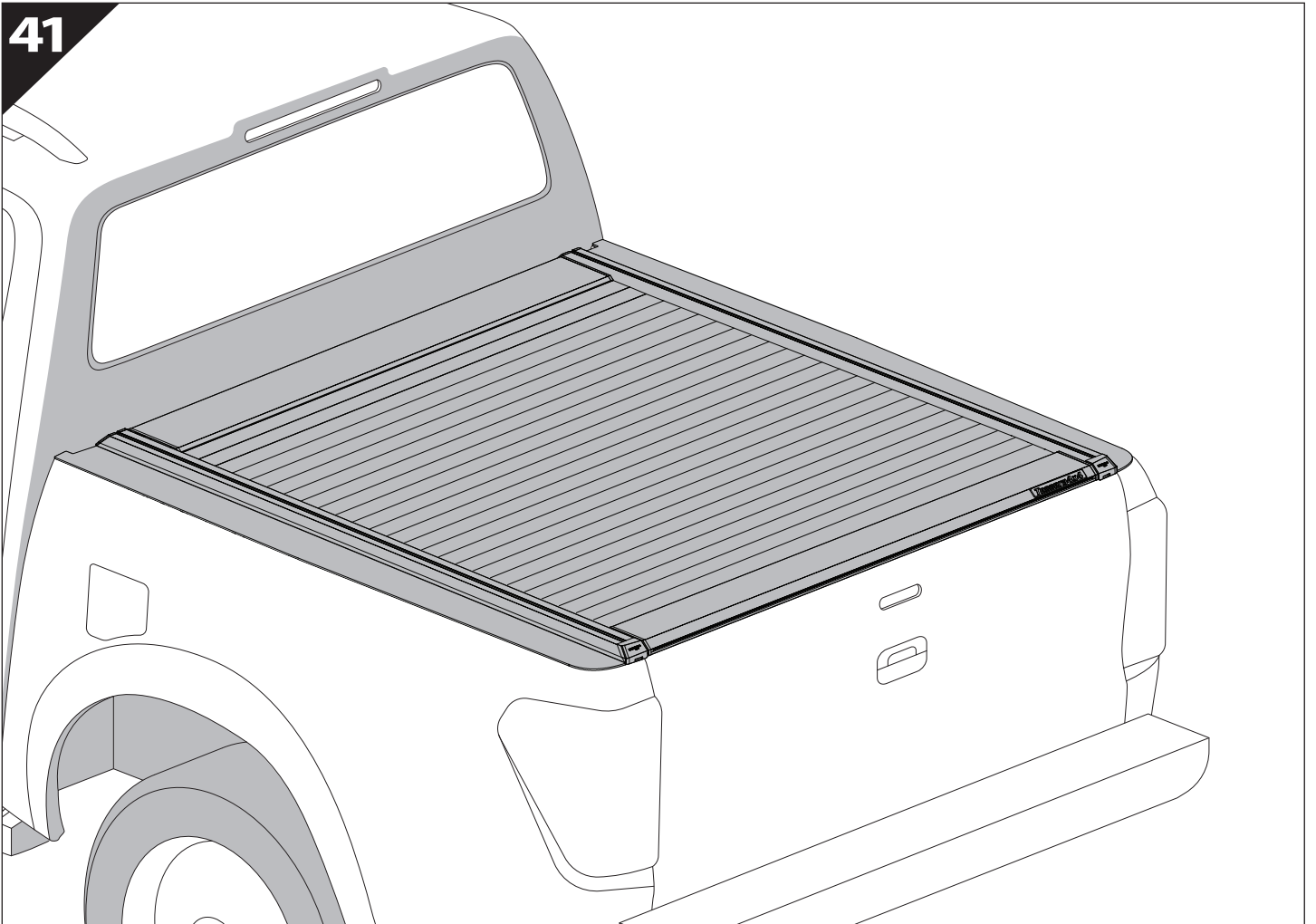
**CAUTION** !



40



41





**GR:** Οδηγίες Εγκατάστασης  
**GB:** Installation manual  
**SF:** Asennusohje  
**F:** Notice de montage  
**PL:** Instrukcja montażu  
**NL:** Installatie-instructies  
**TR:** Montaj Talimatı  
**S:** Monteringsanvisning  
**E:** Instrucciones de montaje

**H:** Szerelési utasítás  
**P:** Instruções de instalação  
**RUS:** Инструкция по установке  
**N:** Monteringsveiledning  
**D:** Einbauanleitung  
**CZ:** Návod k instalaci  
**I:** Istruzioni de montaggio  
**DK:** Monteringsvejledning  
**RO:** Instructiuni de instalare

Customer Service:

+30 (210) 5541161, +30 (210) 5541154 (08:00 - 16:00 EET)

Support department:

[info@gianso.gr](mailto:info@gianso.gr)

Website:

[www.tessera4x4.com](http://www.tessera4x4.com)

Address:

19.5 km of National road Athens-Korinthos (Elefsina) Greece, P.C: 19200