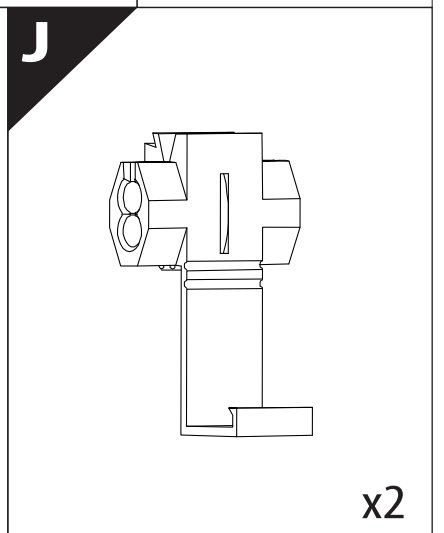
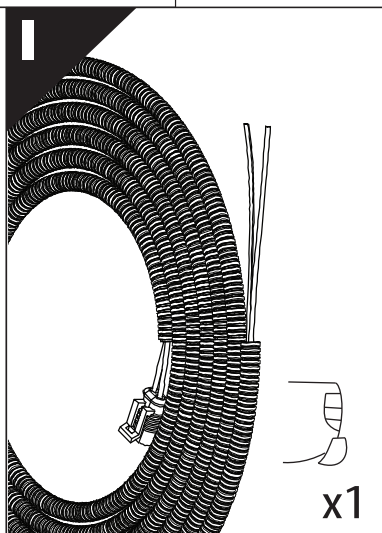
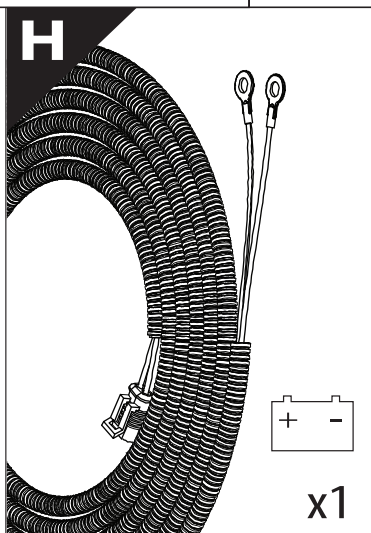
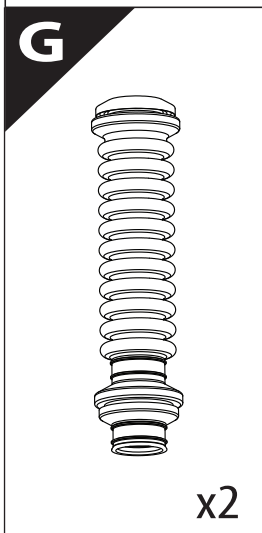
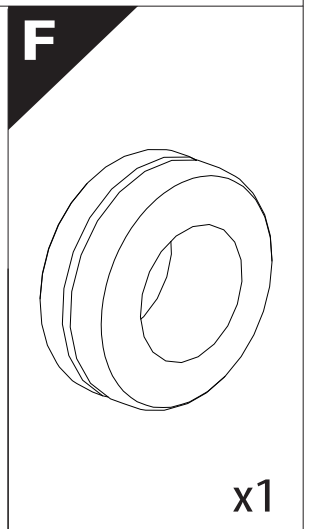
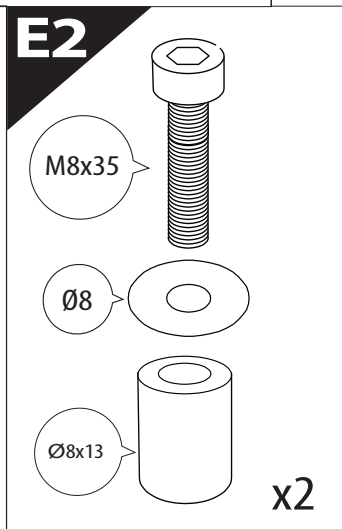
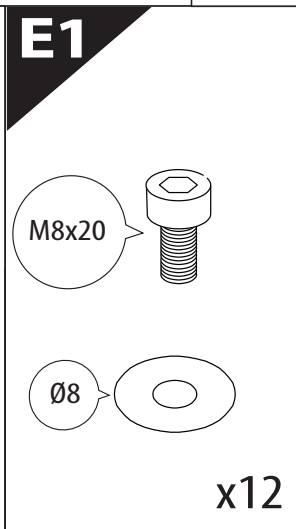
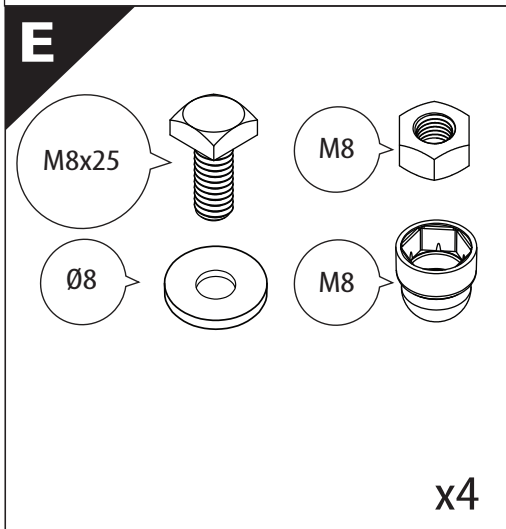
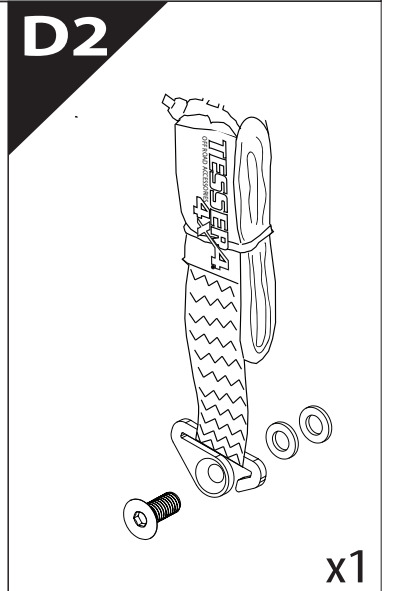
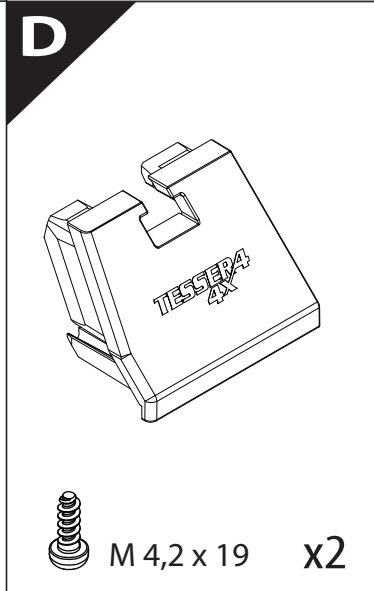
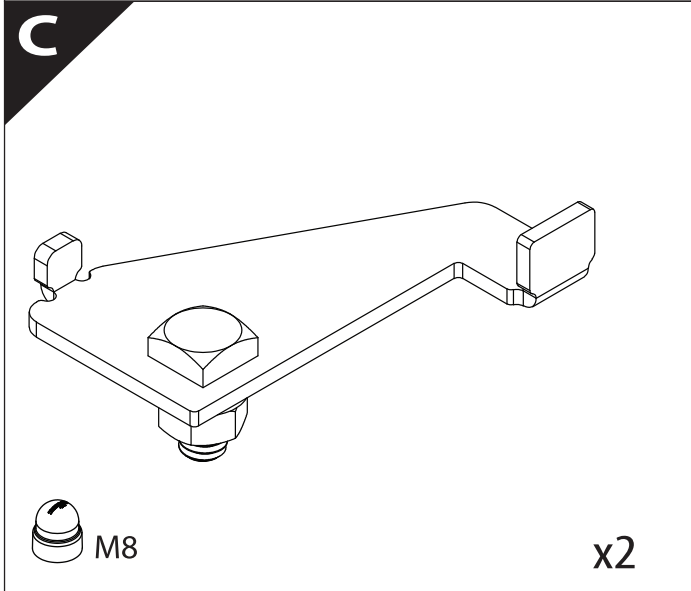
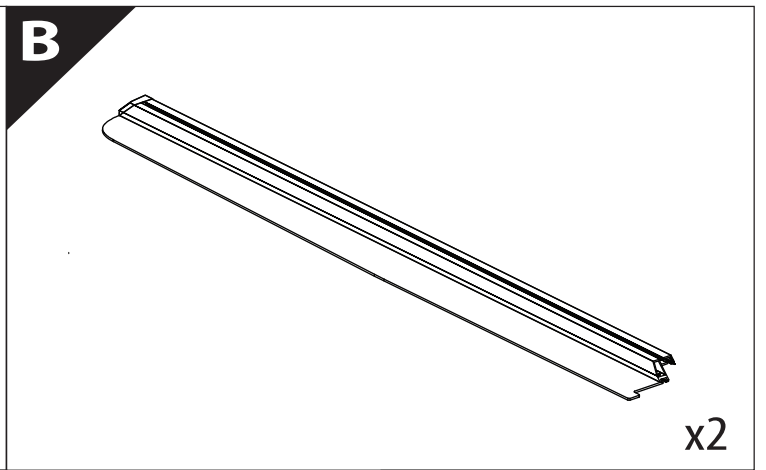
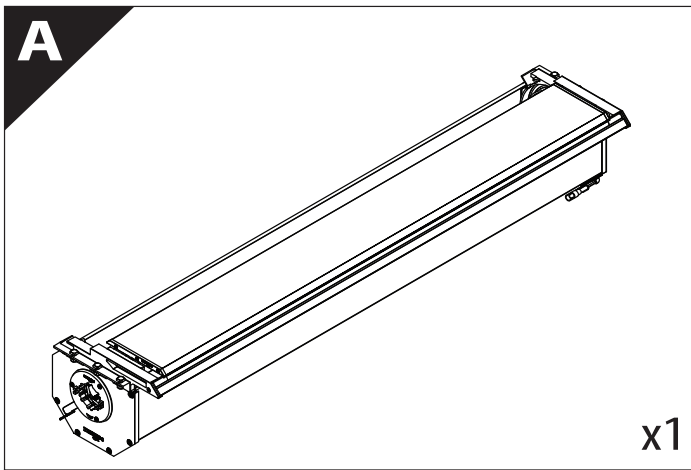
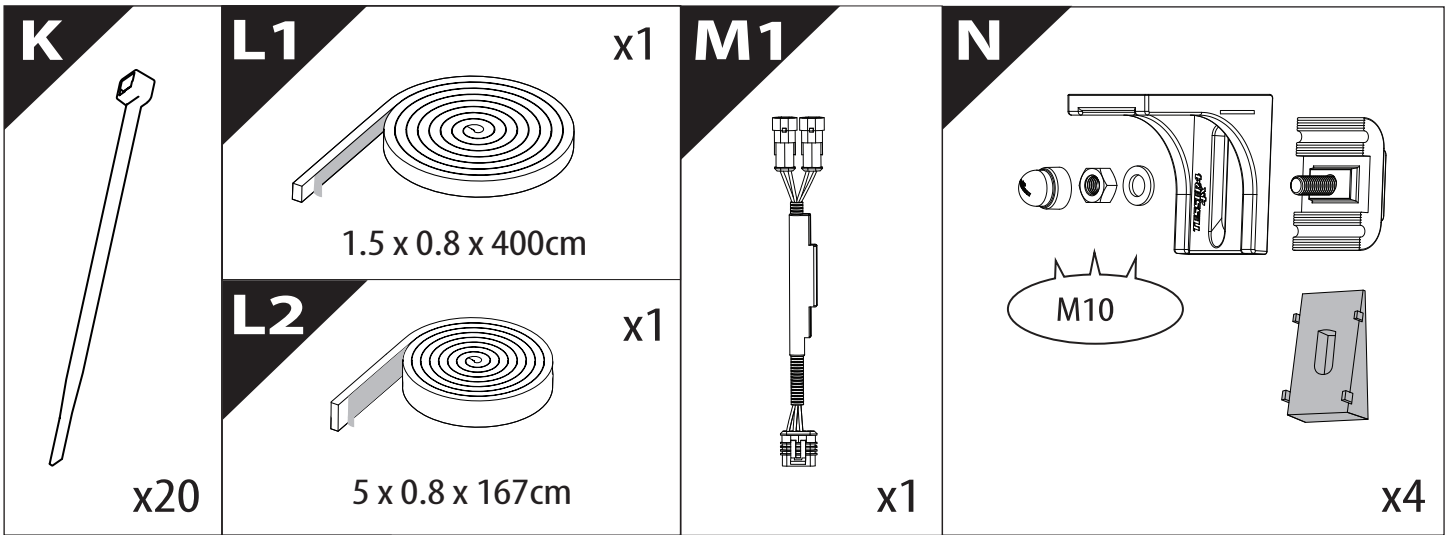
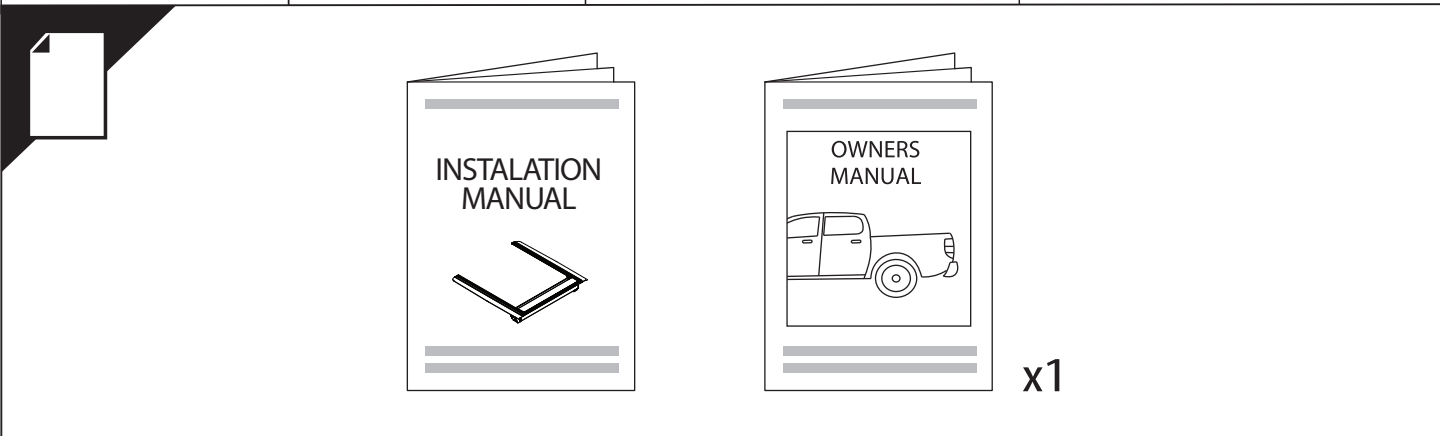
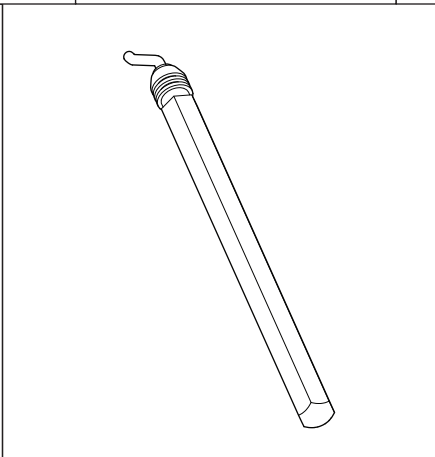
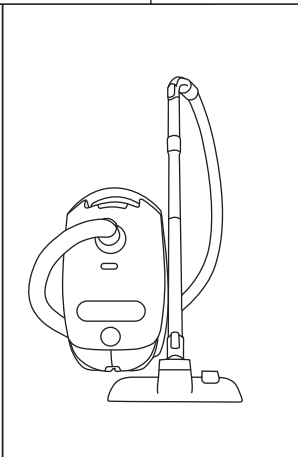
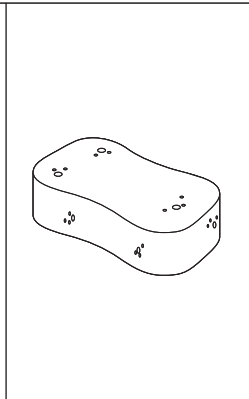
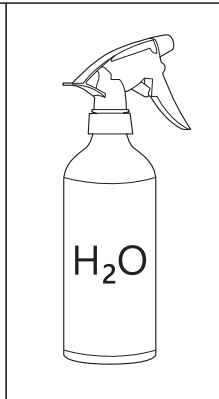
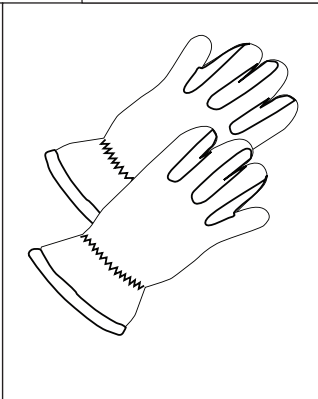
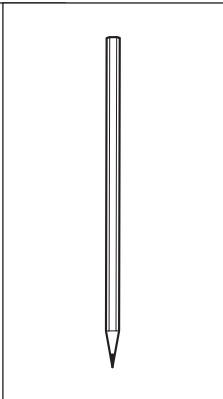
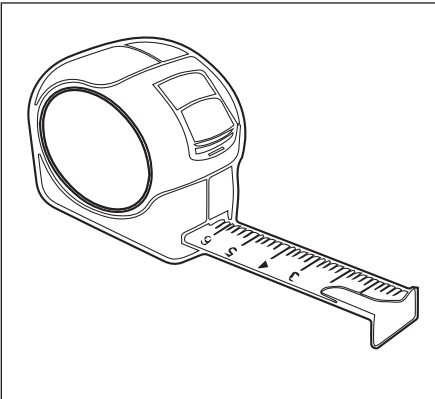
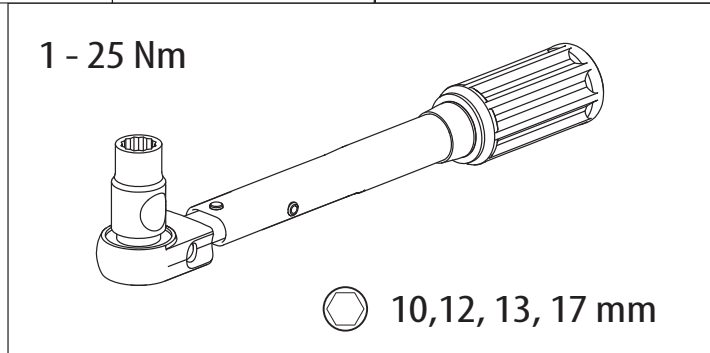
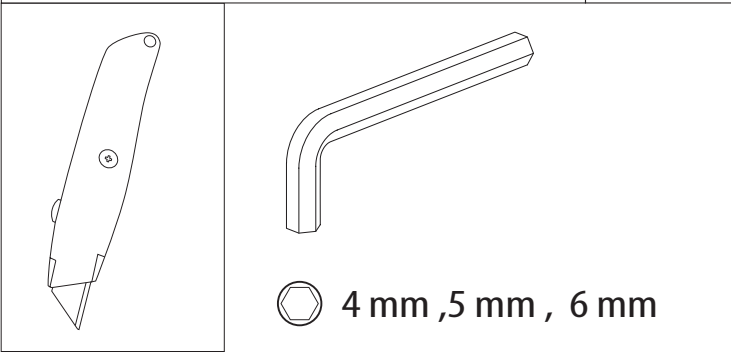
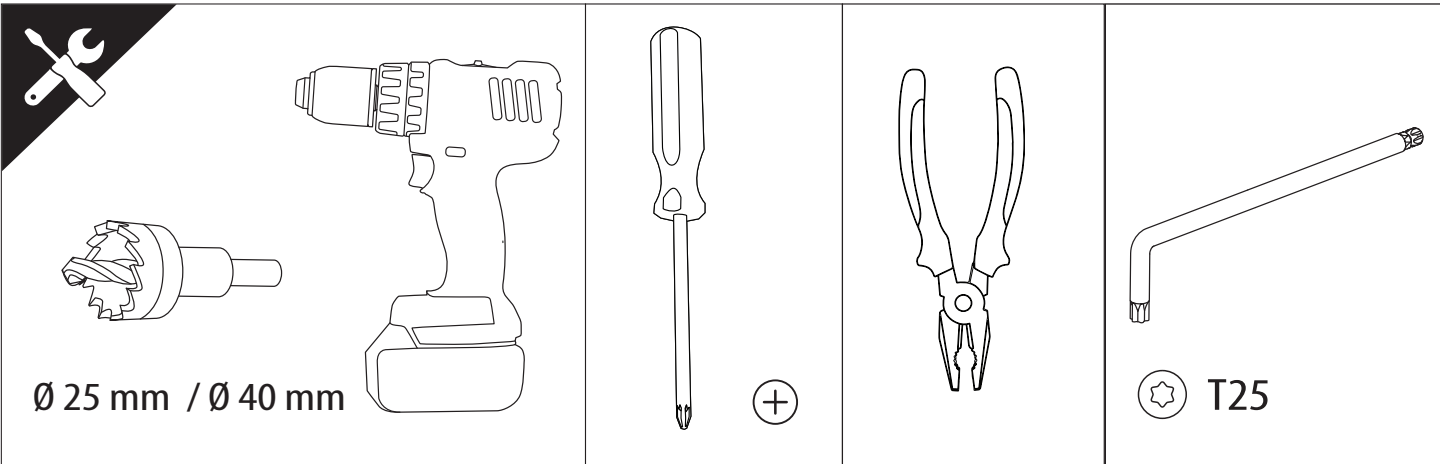


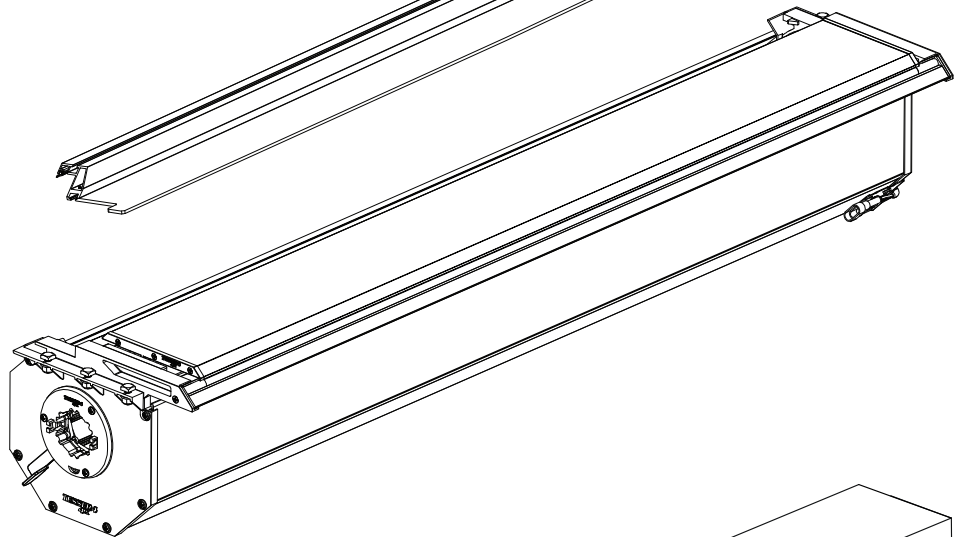
## Installation Manual

<b>PART NUMBER(S)</b>	<b>Model Year</b>
<b>TESS 140411 ROLL</b>	<b>ISUZU DMAX 2021+ OEM ROLL BAR</b>
<b>Cab(s)</b>	<b>Installation Time / Weight</b>
<b>Double Cab</b>	<b>40-60 minutes / 53-57 kg</b>





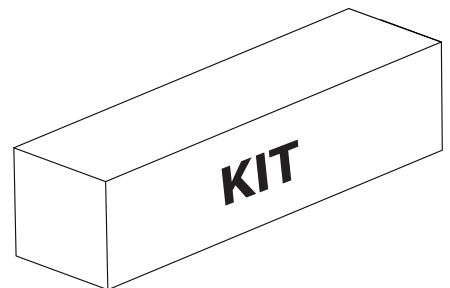




**B**

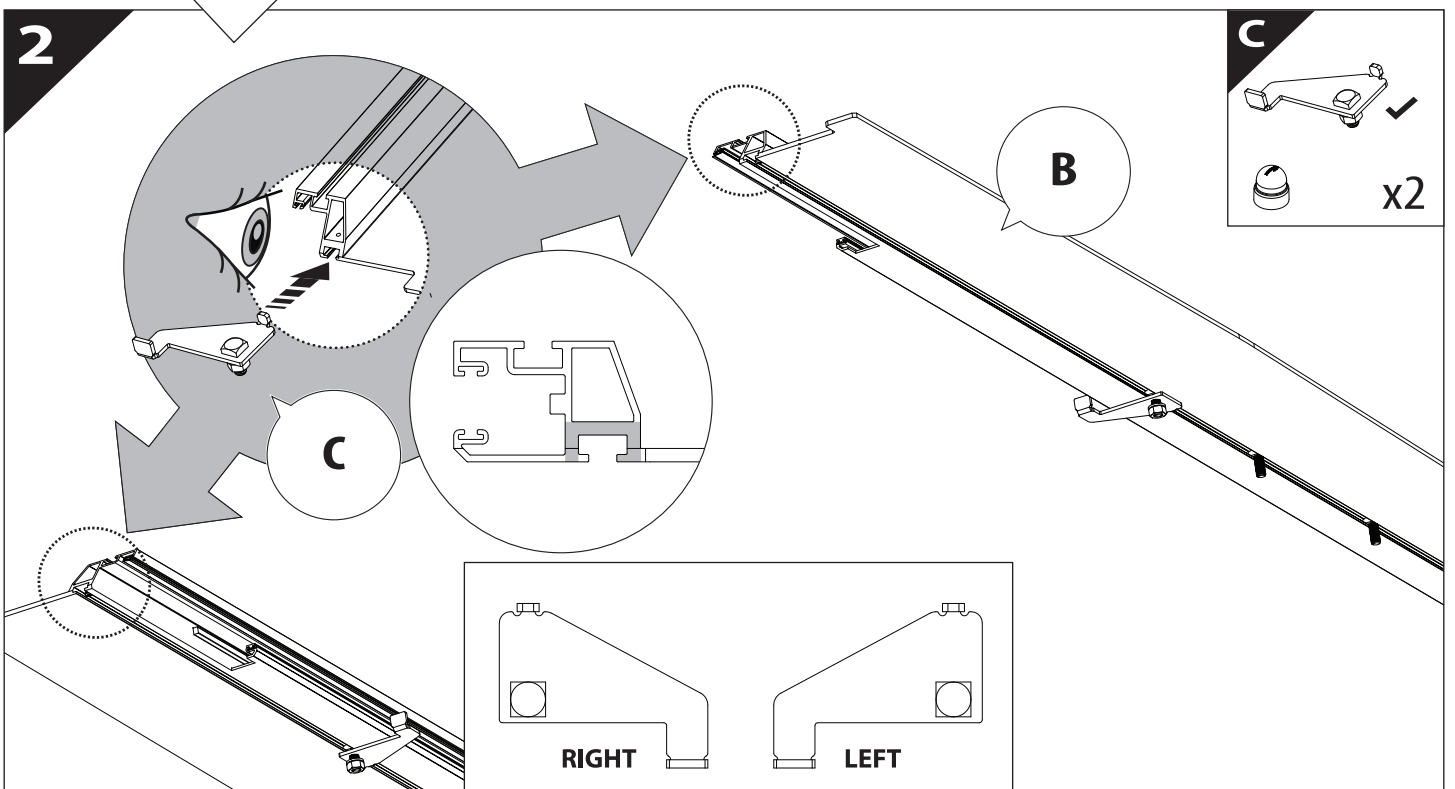
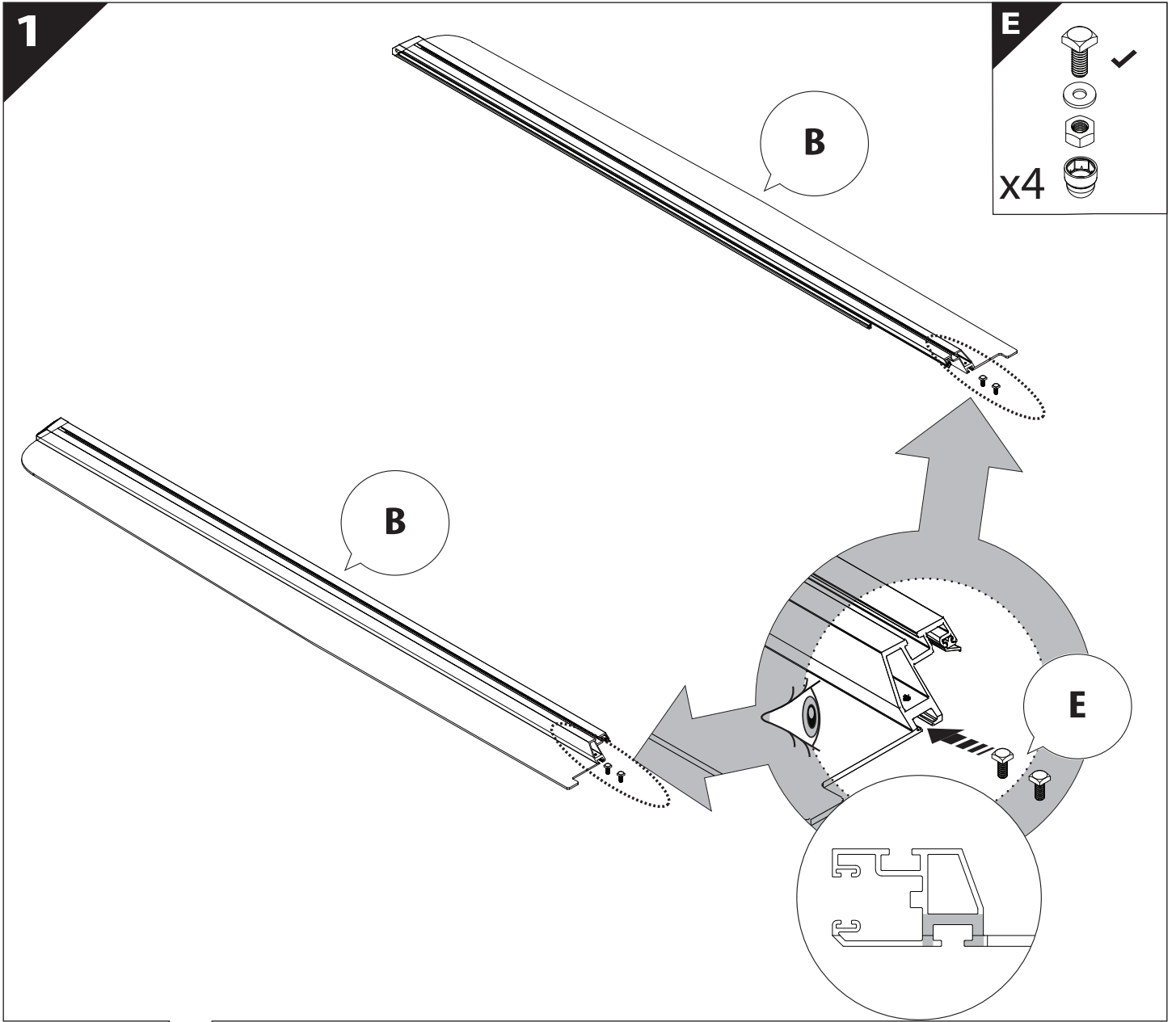
**A**

**KITS**

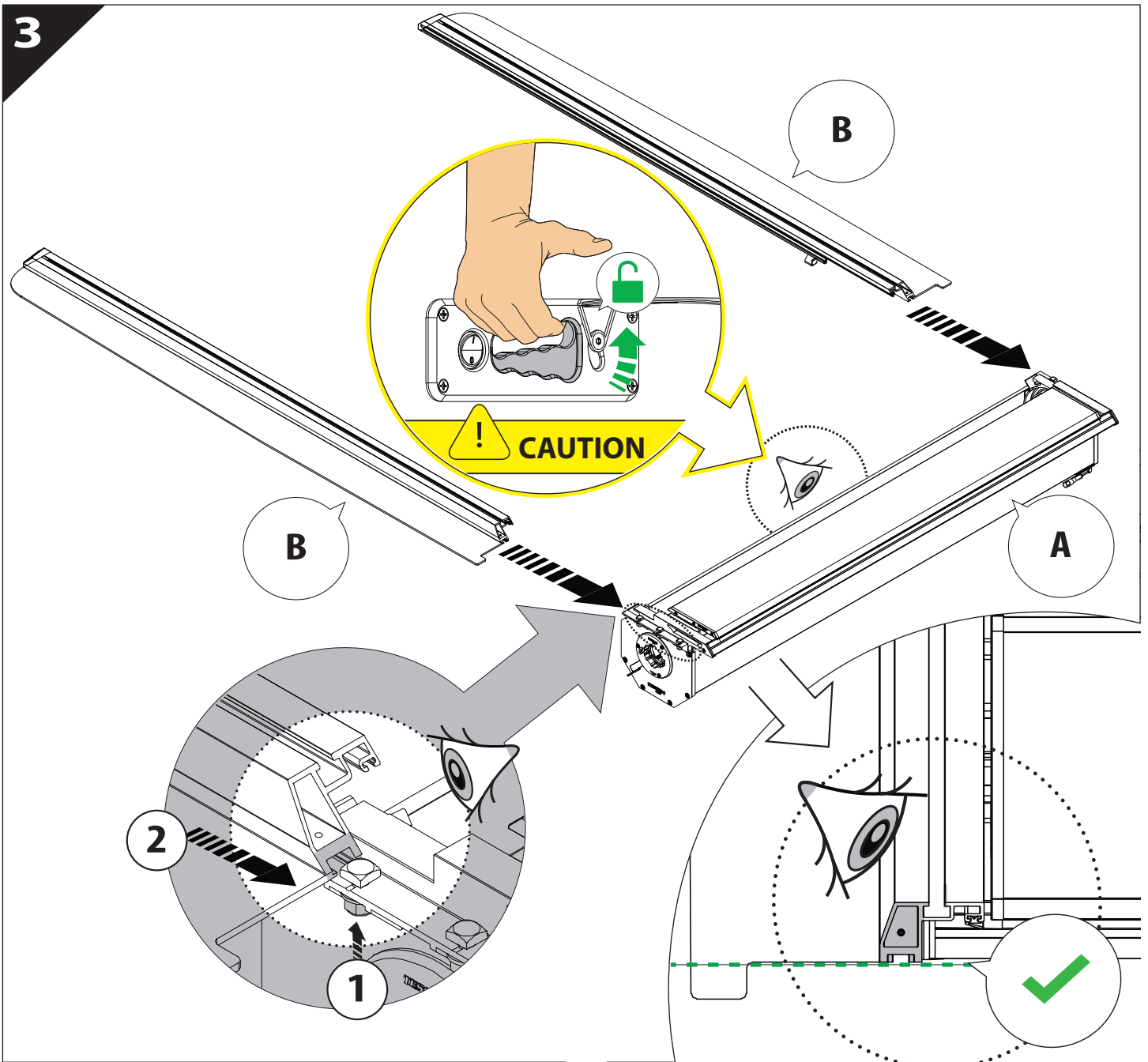


**L**

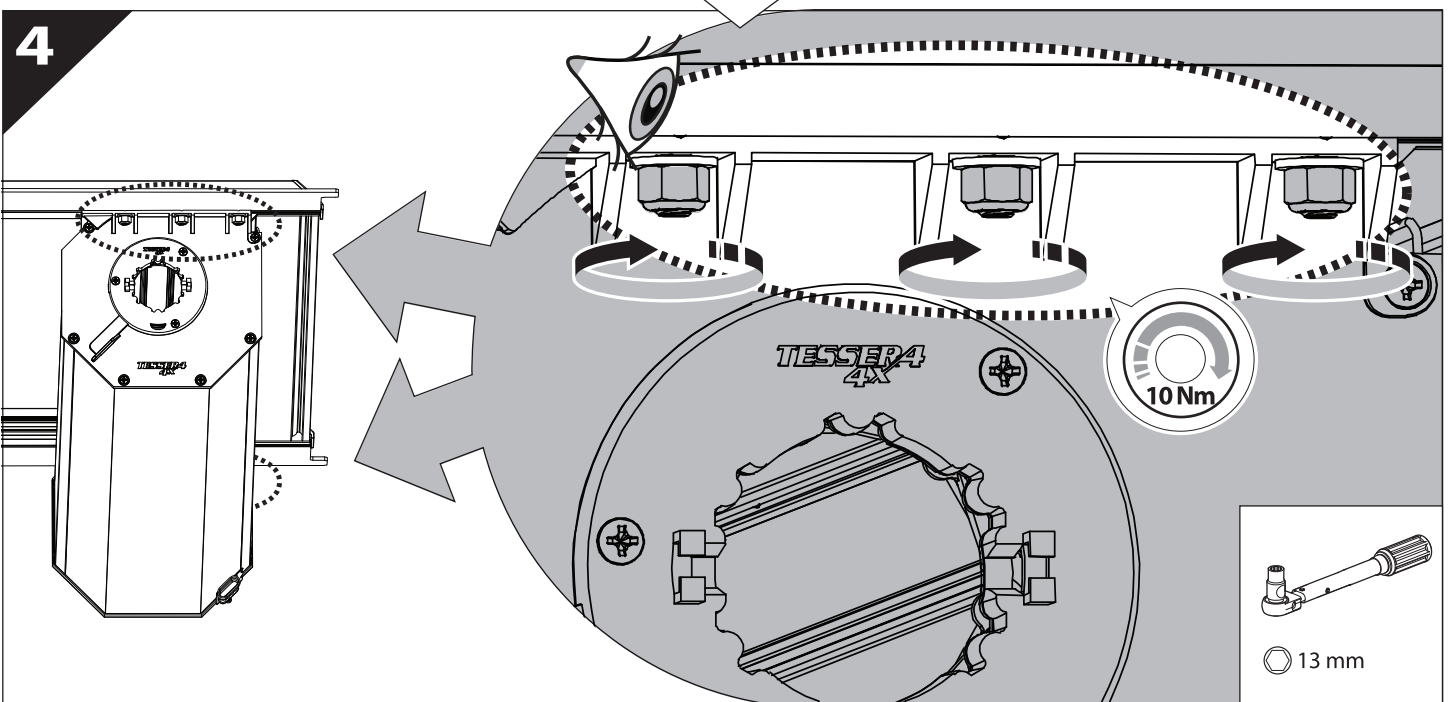


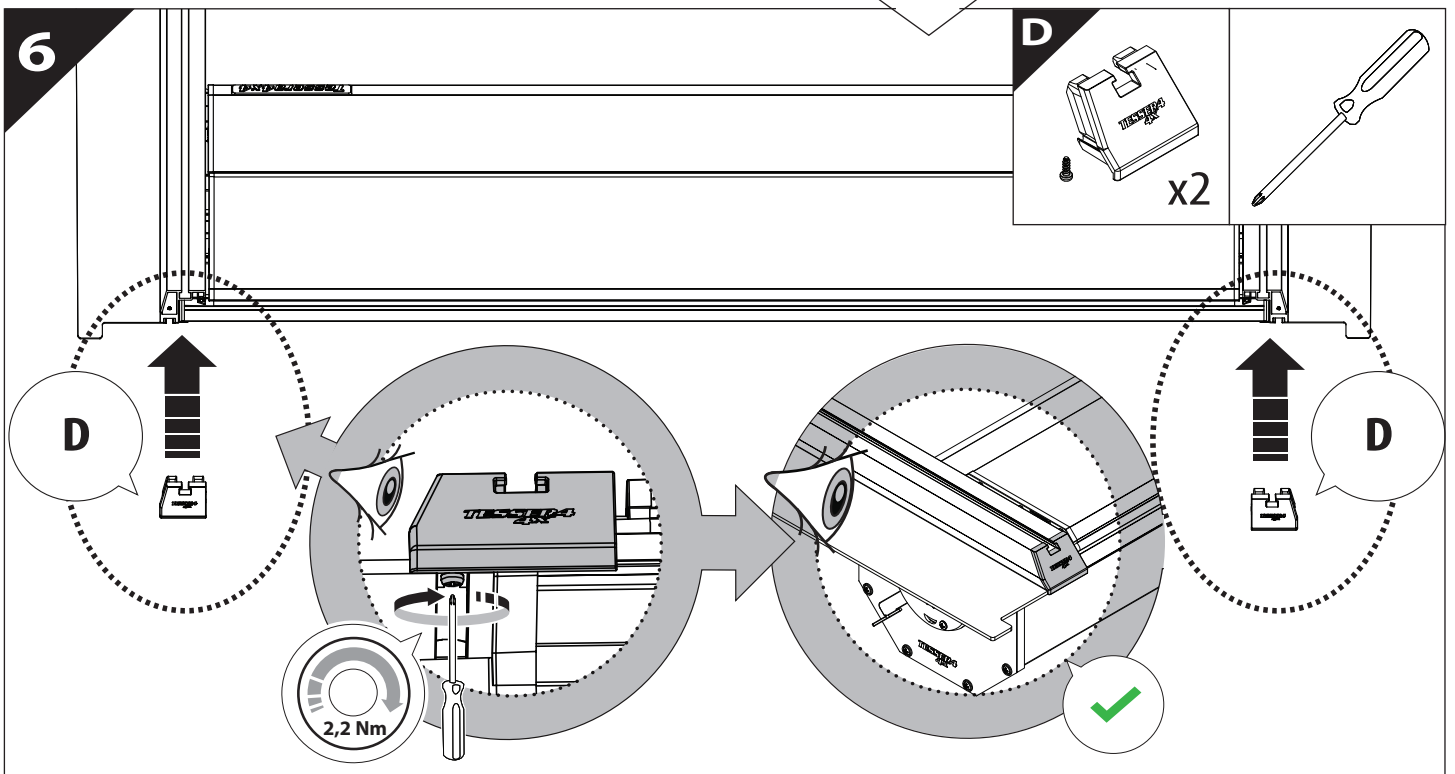
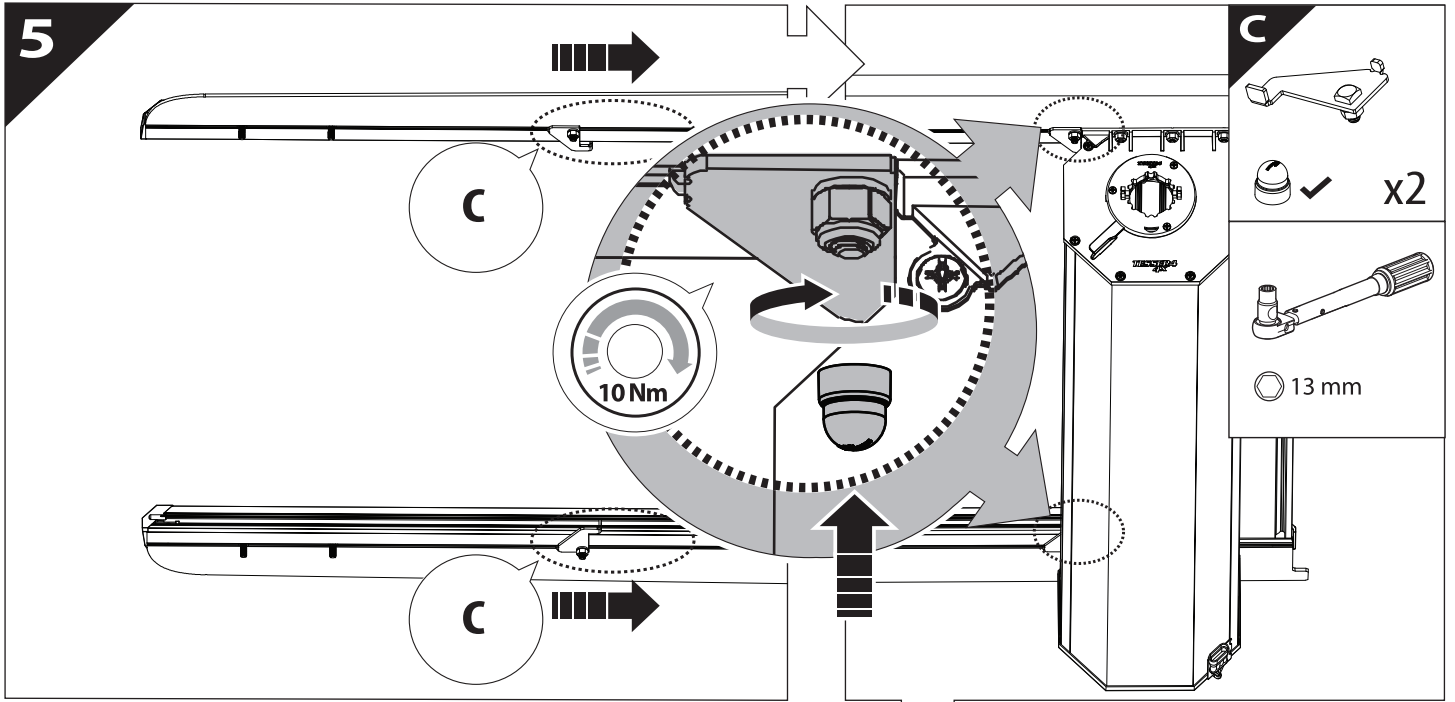


3

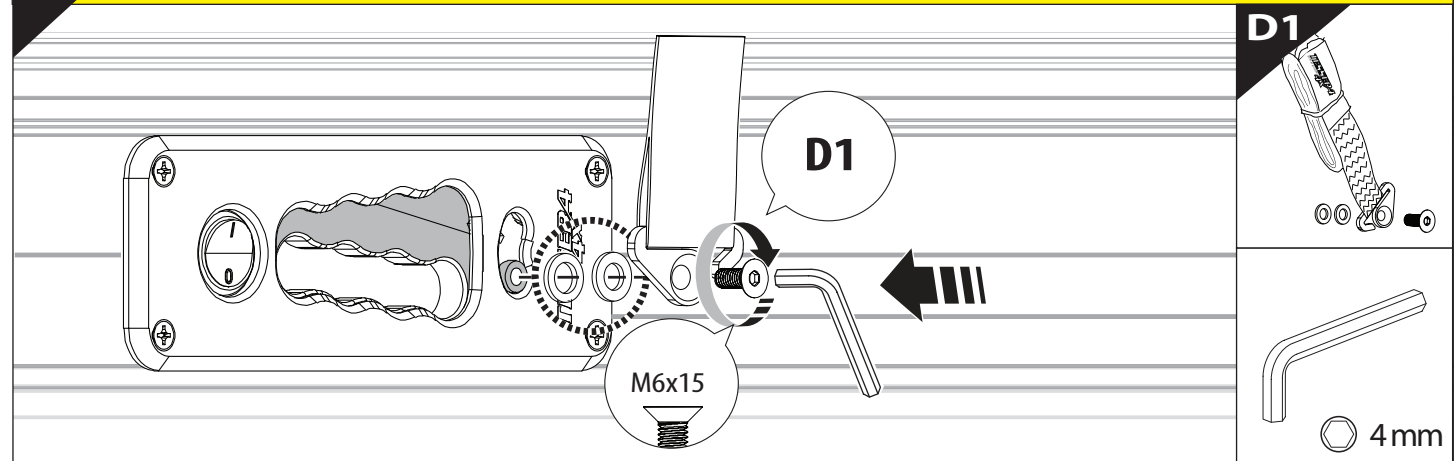


4

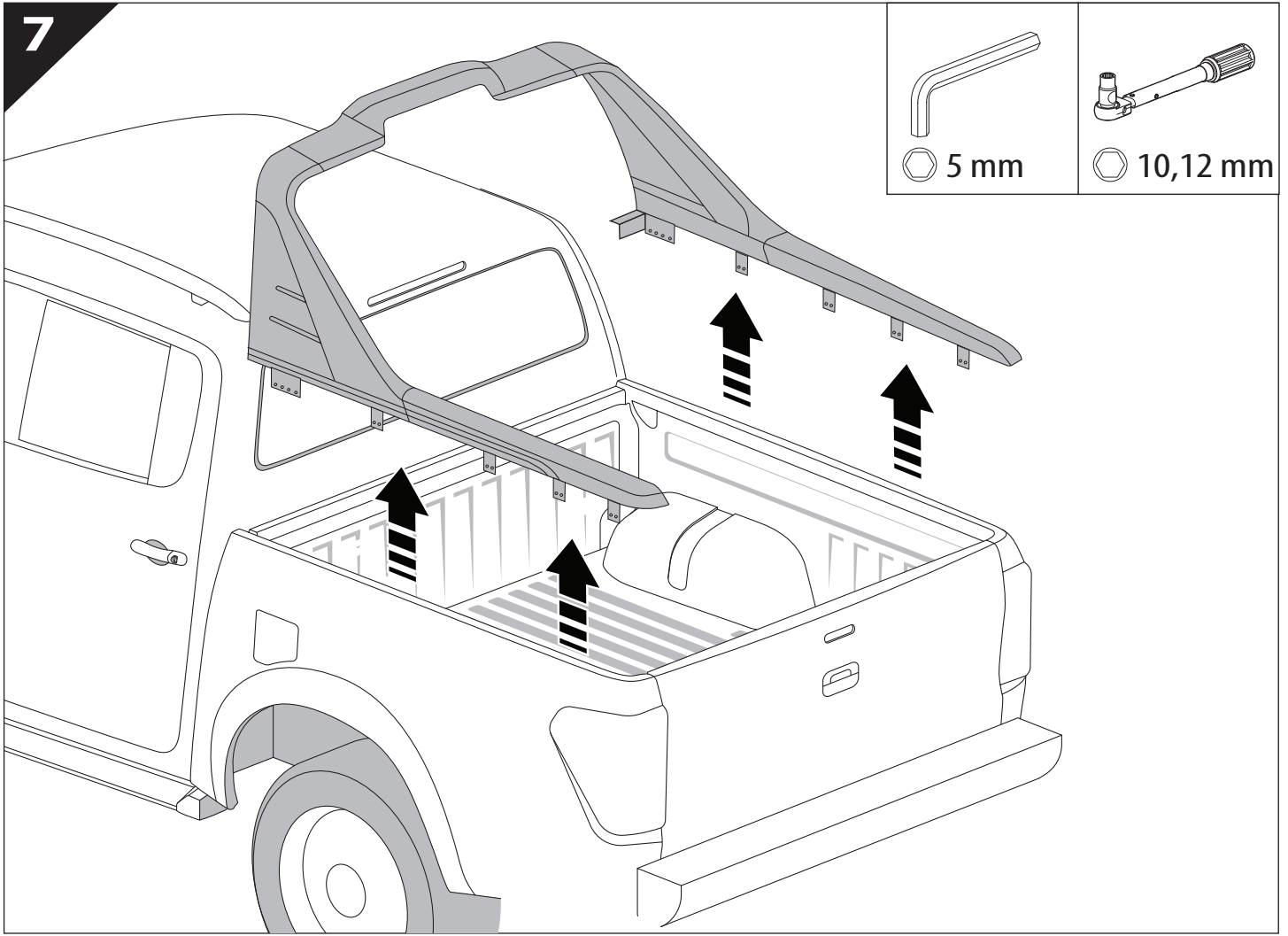


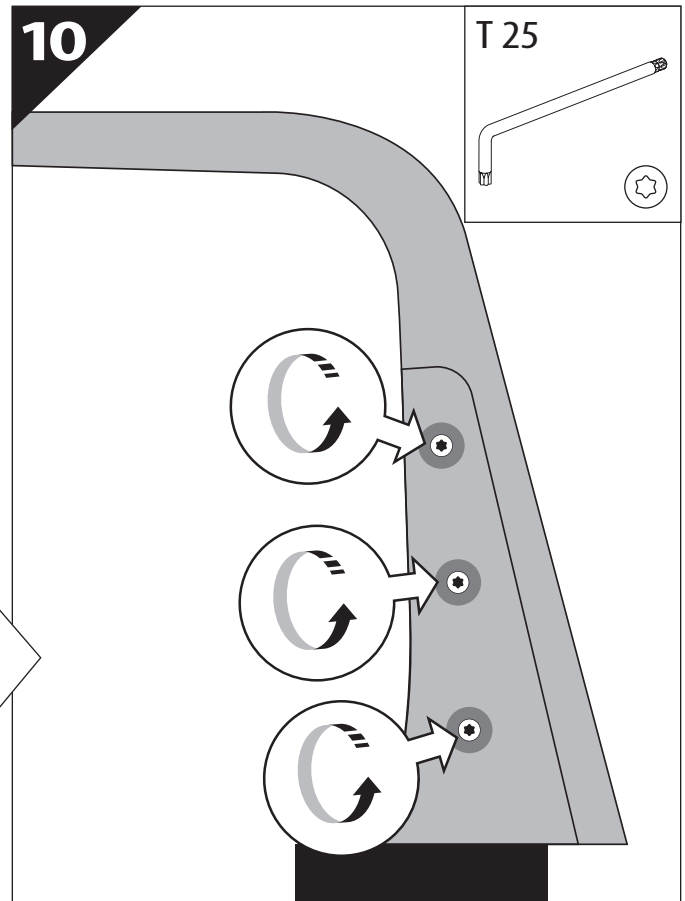
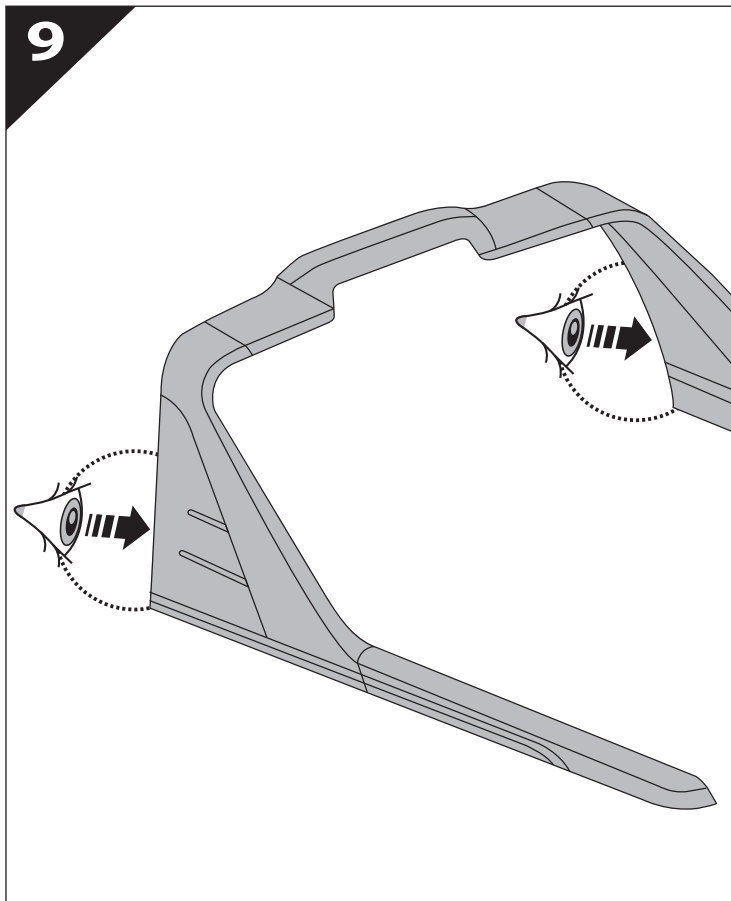
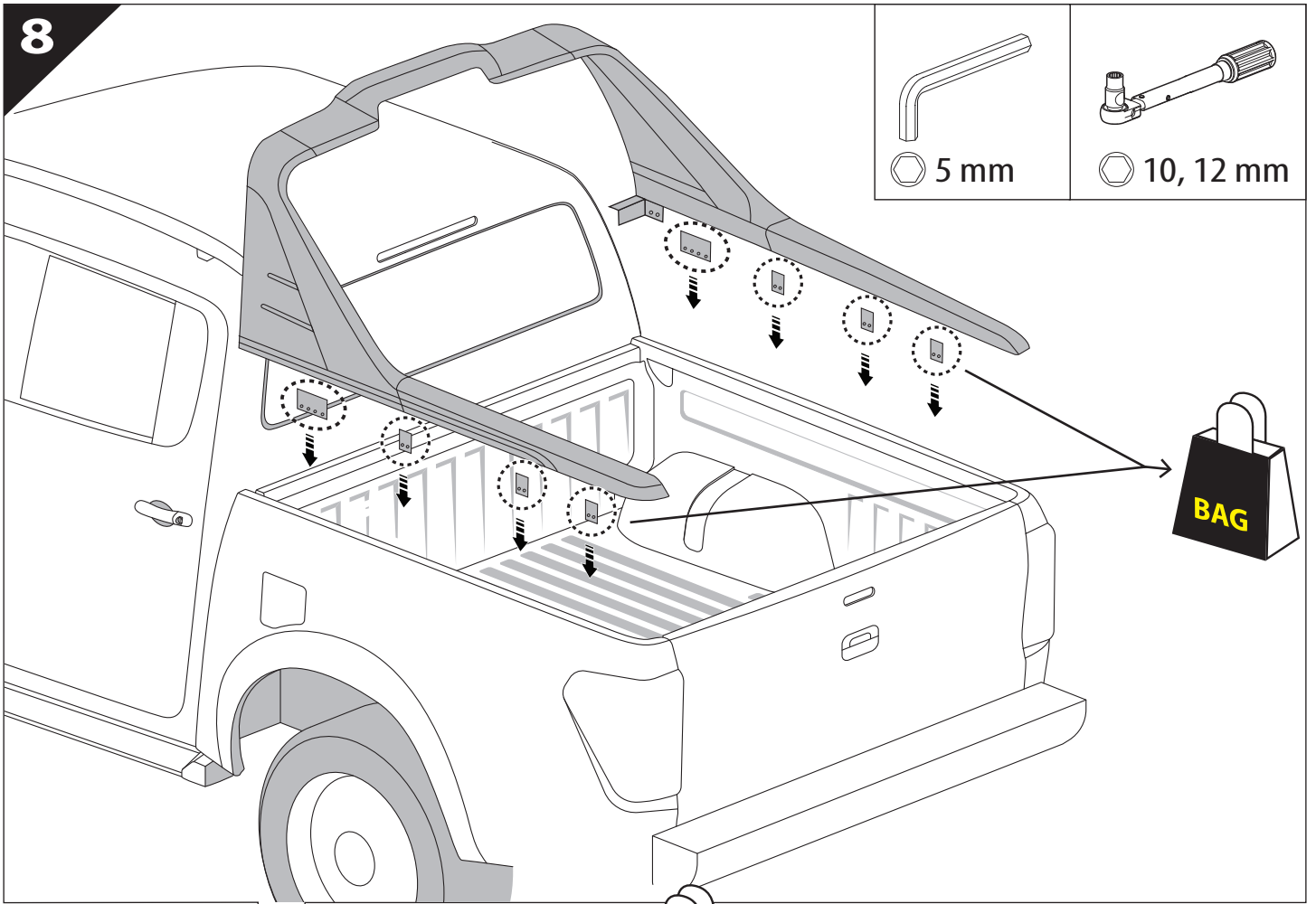


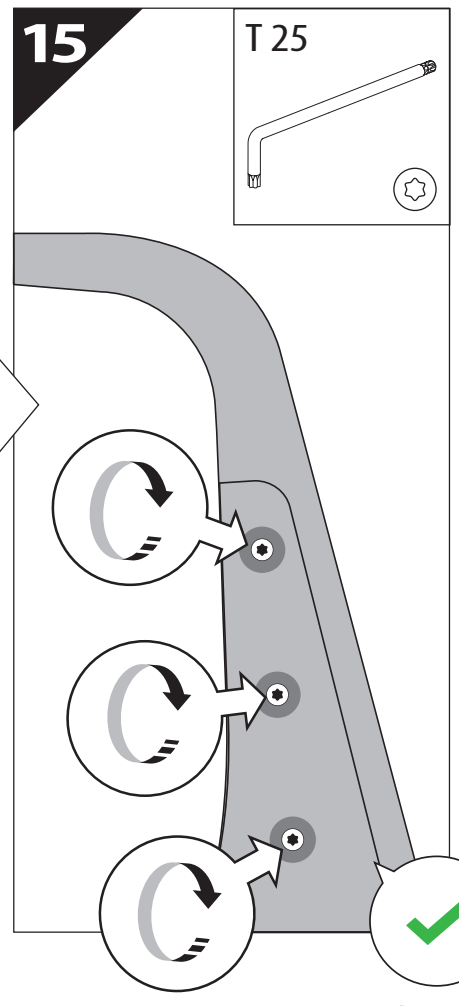
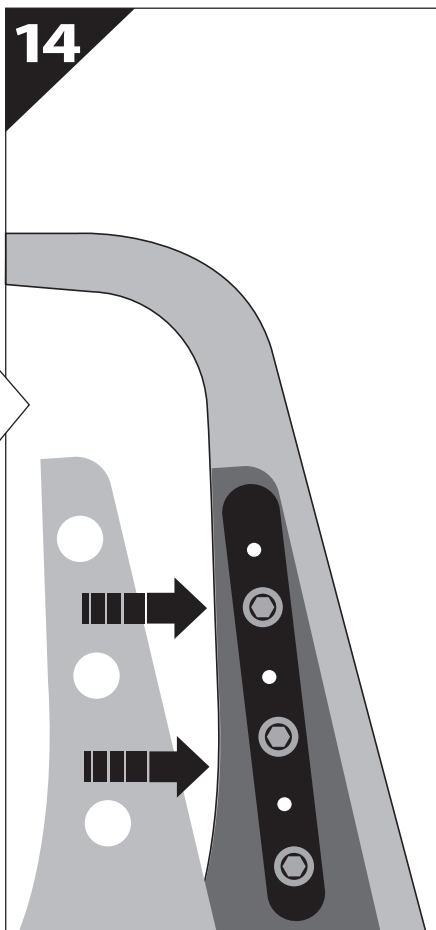
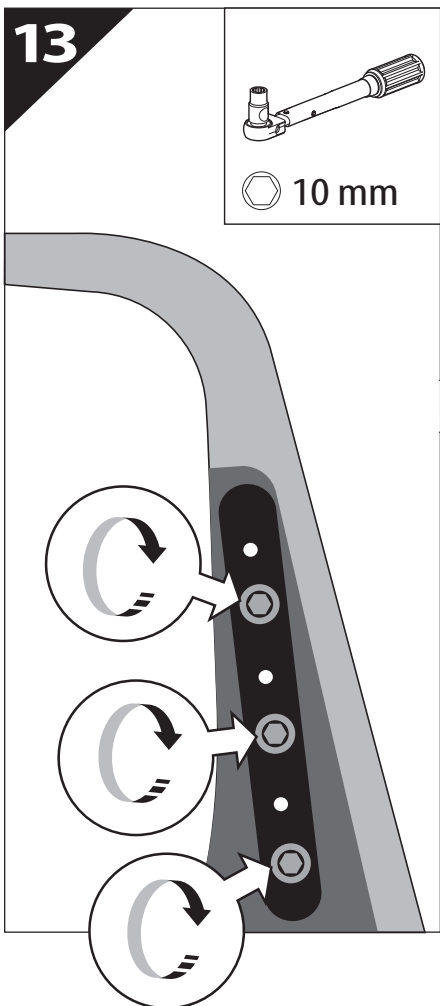
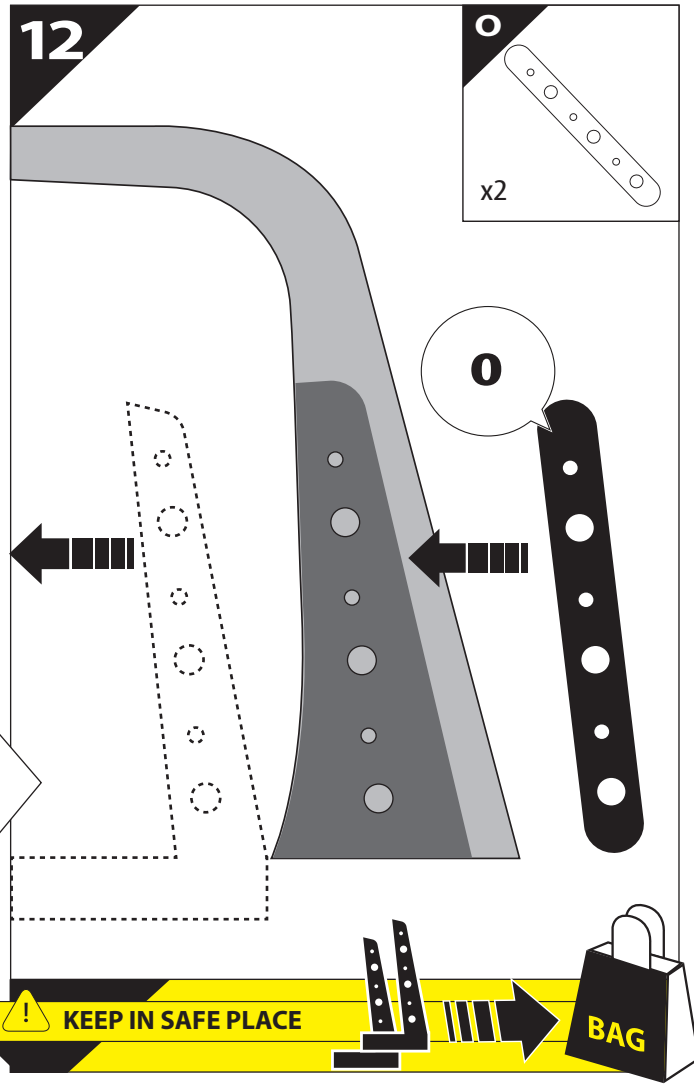
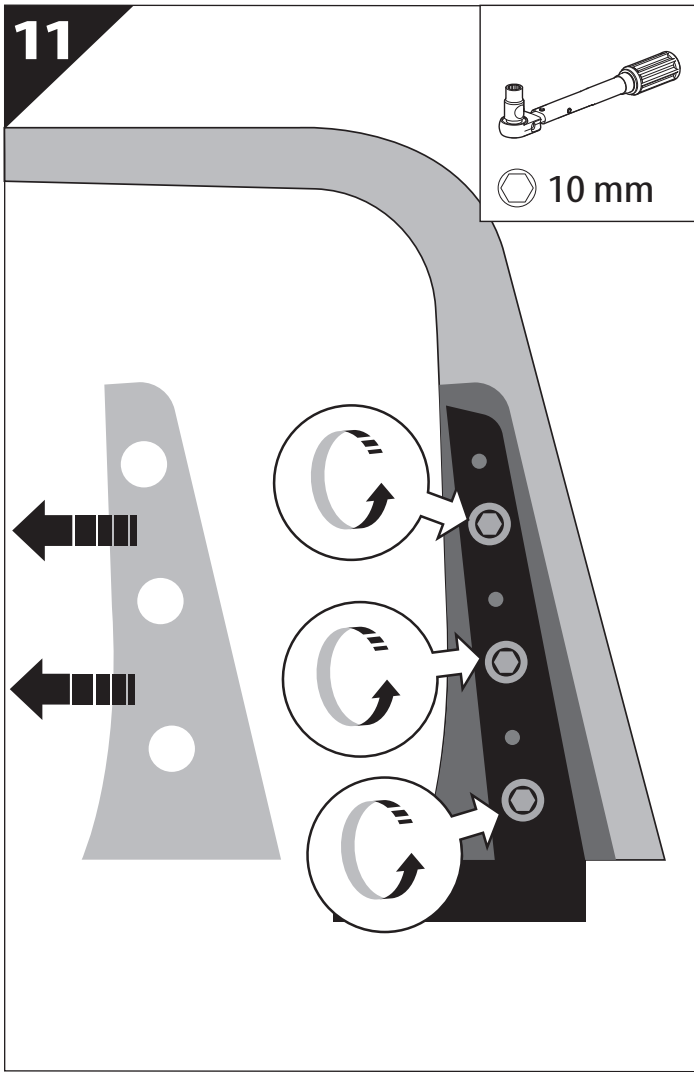
**6.1** **CAUTION** Basic Version ✓ & Basic+S-KIT Version ✓



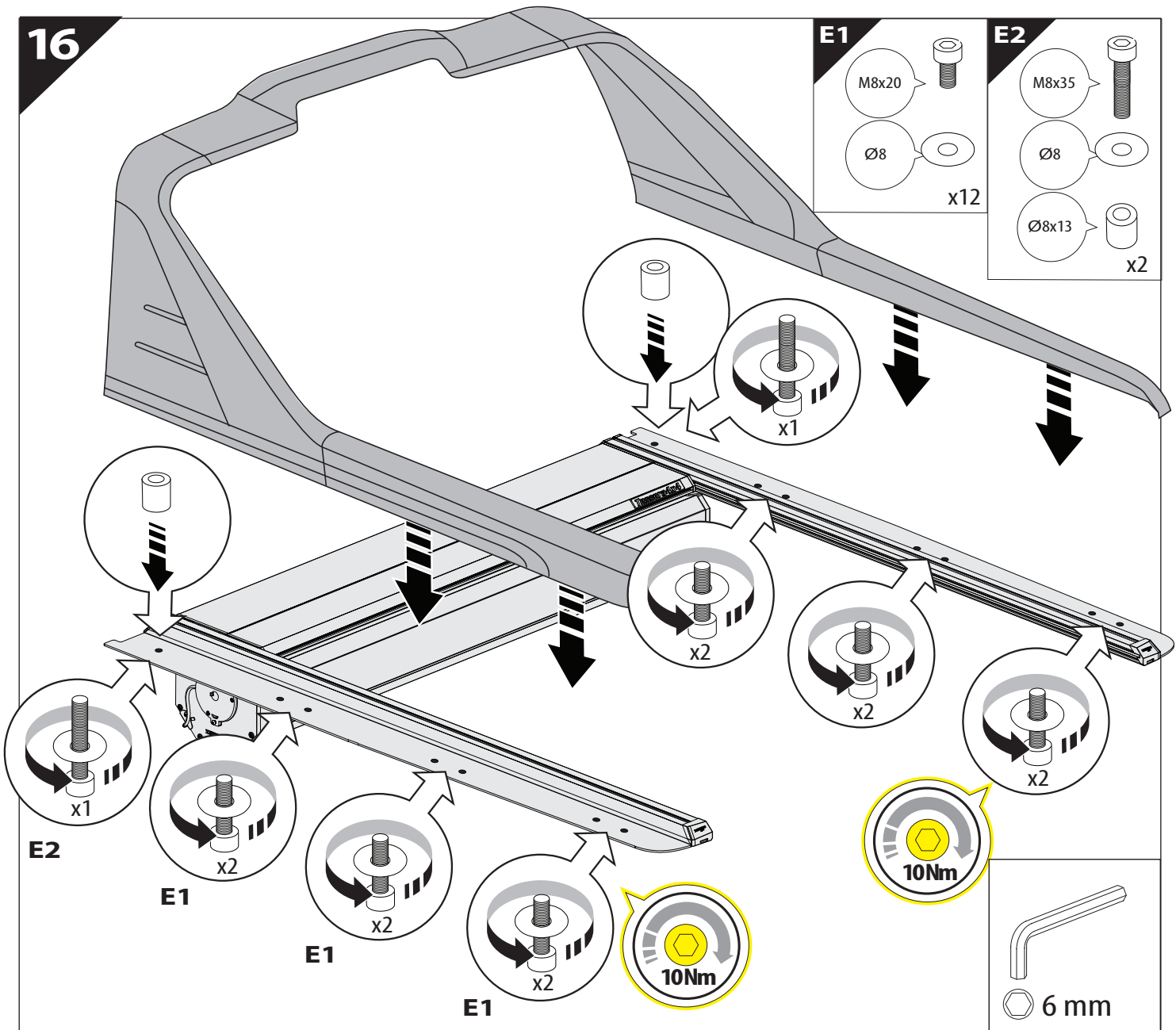
7



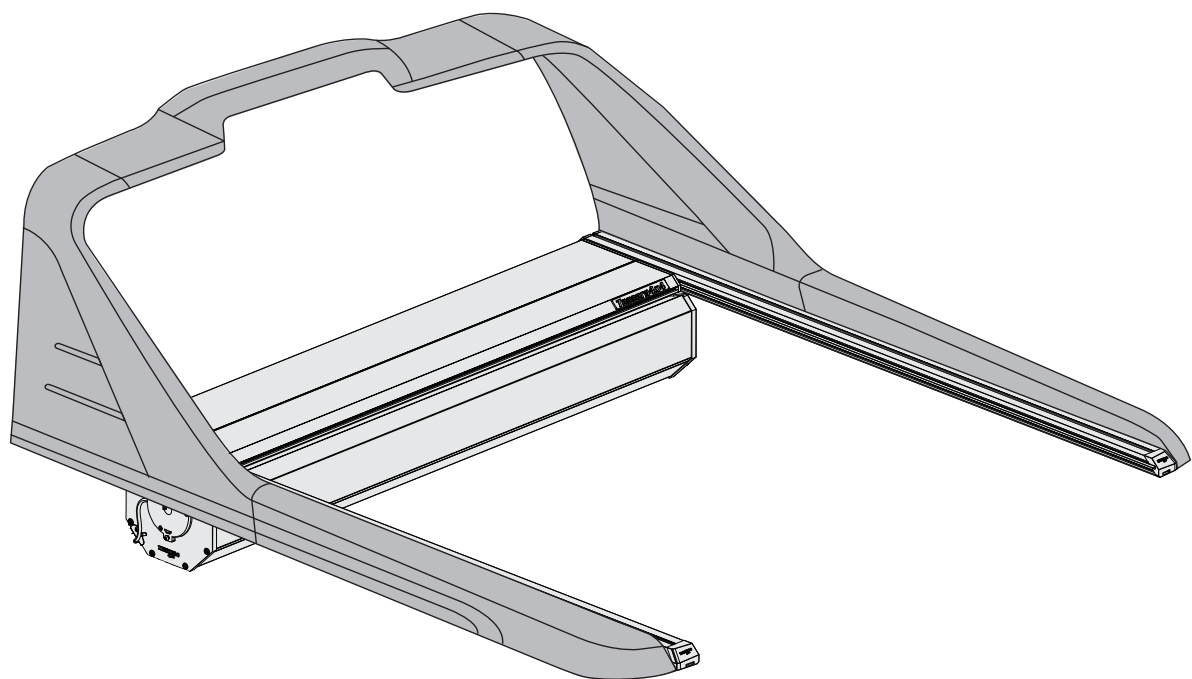


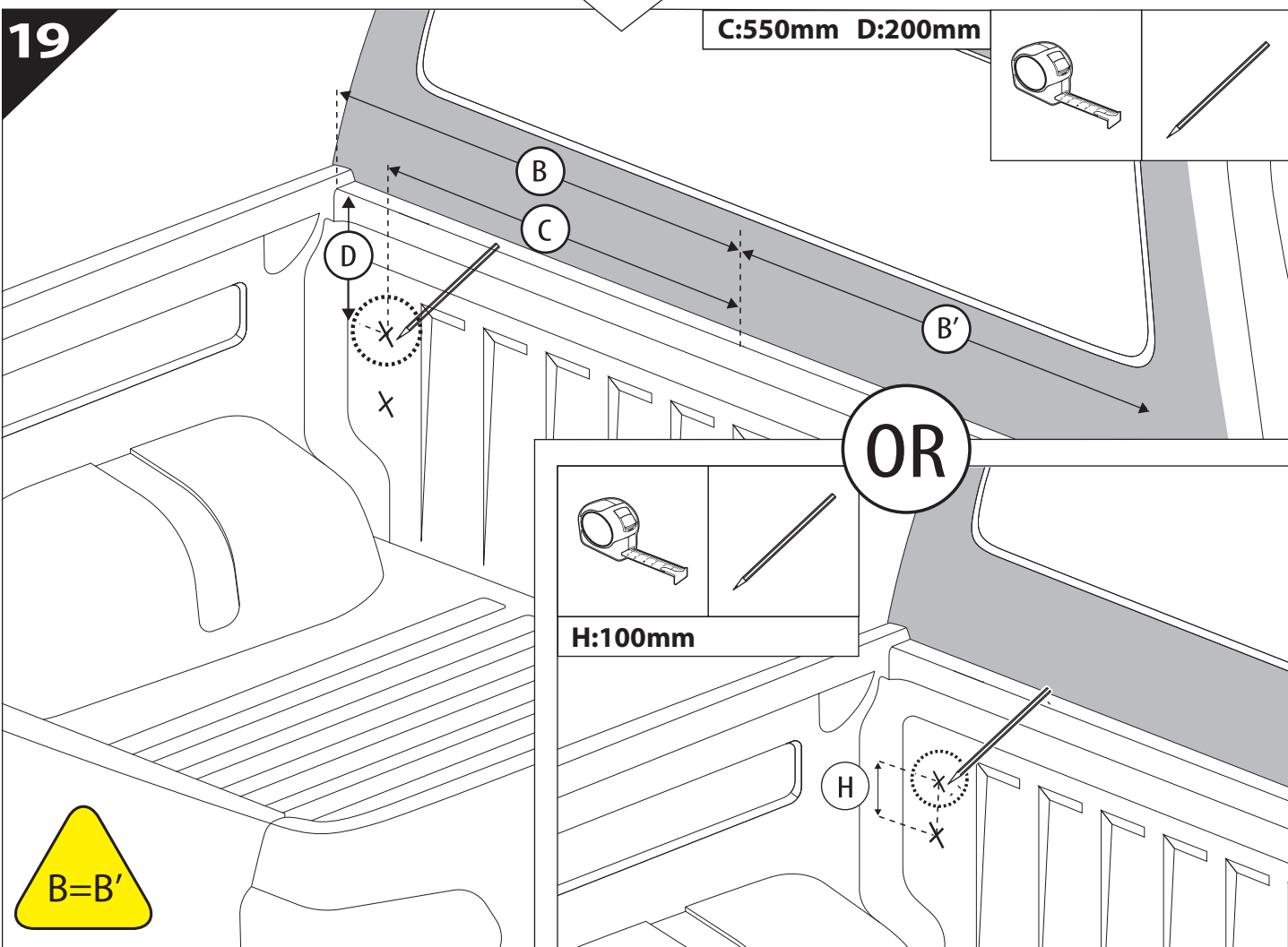
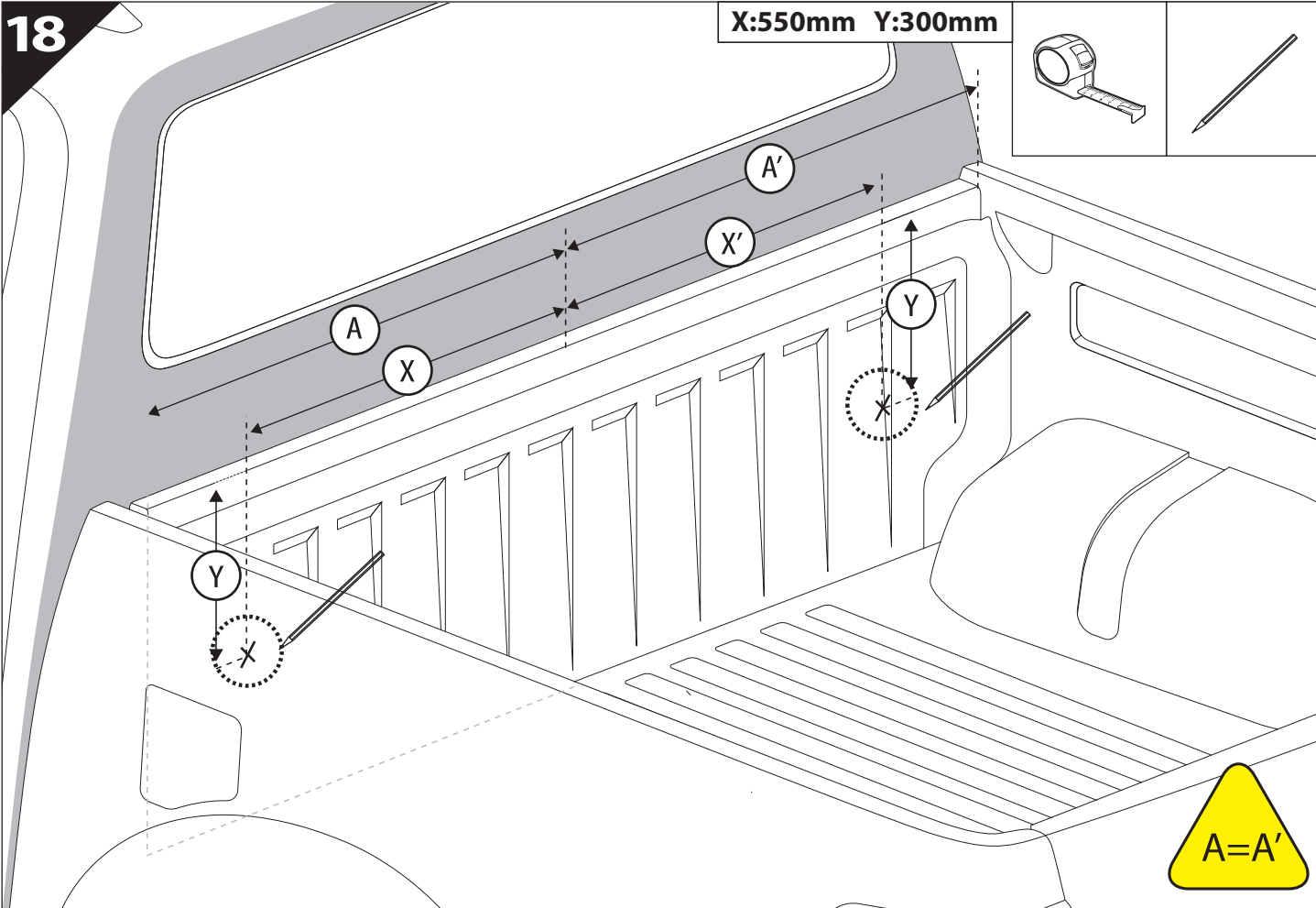


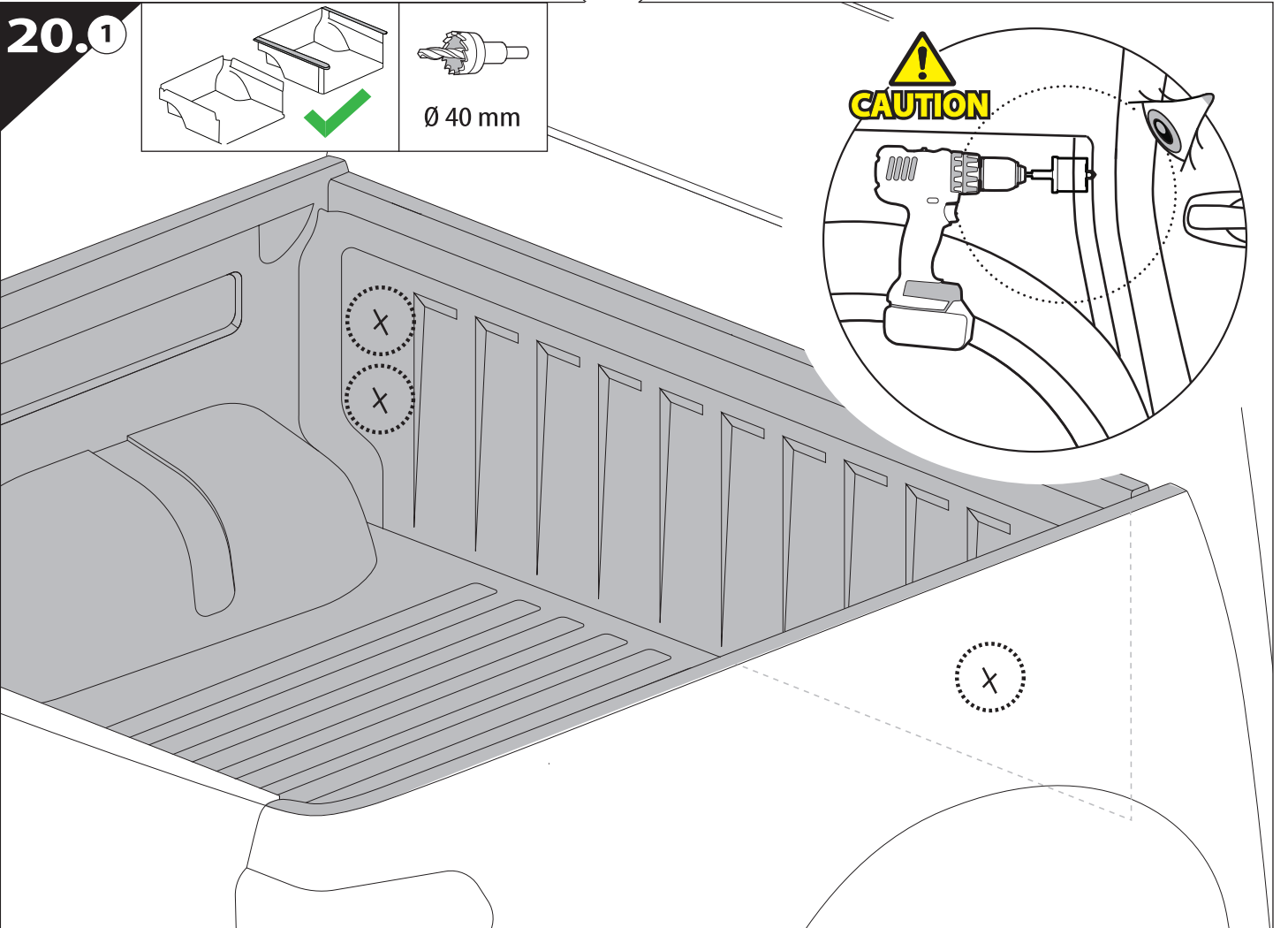
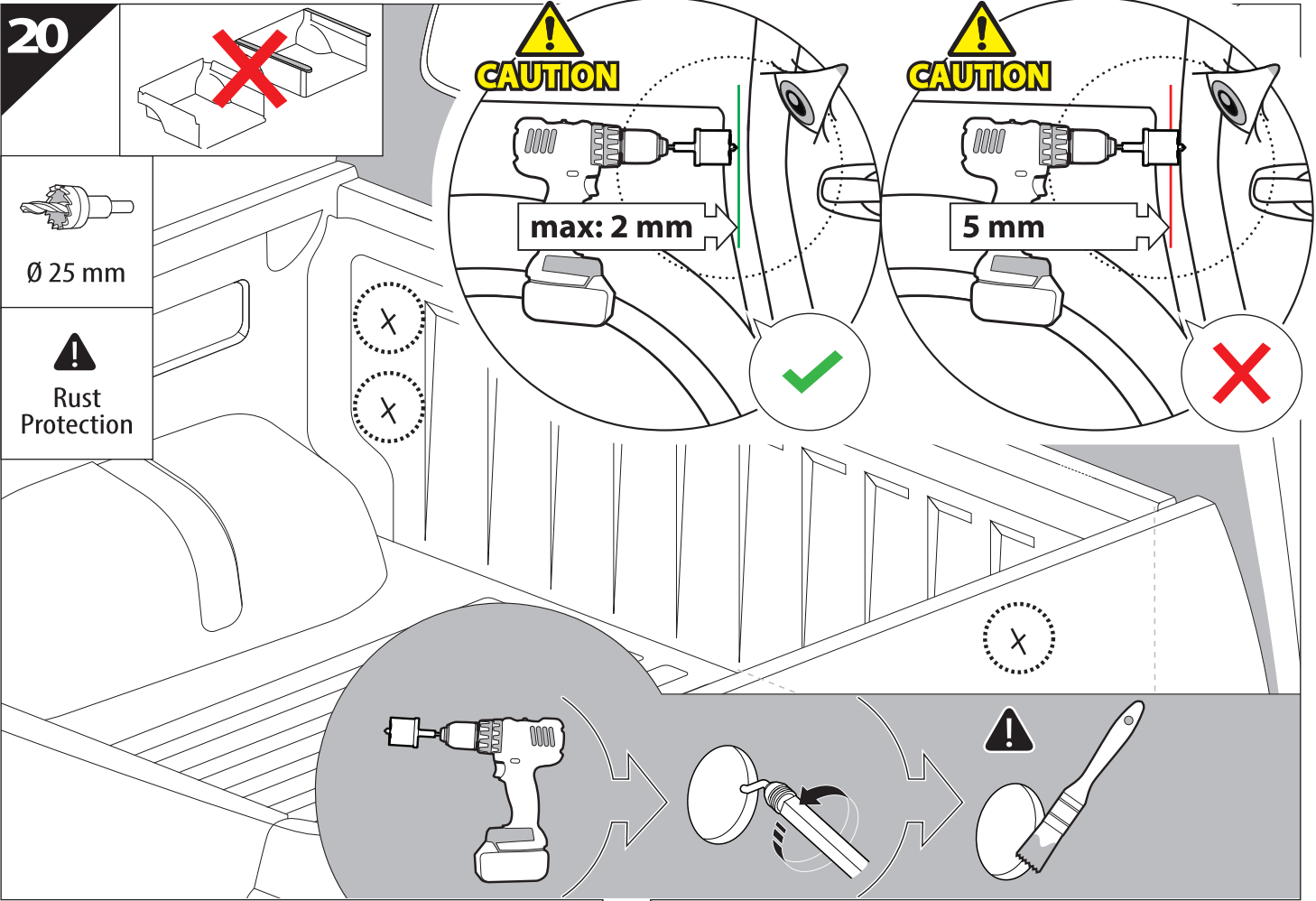
16



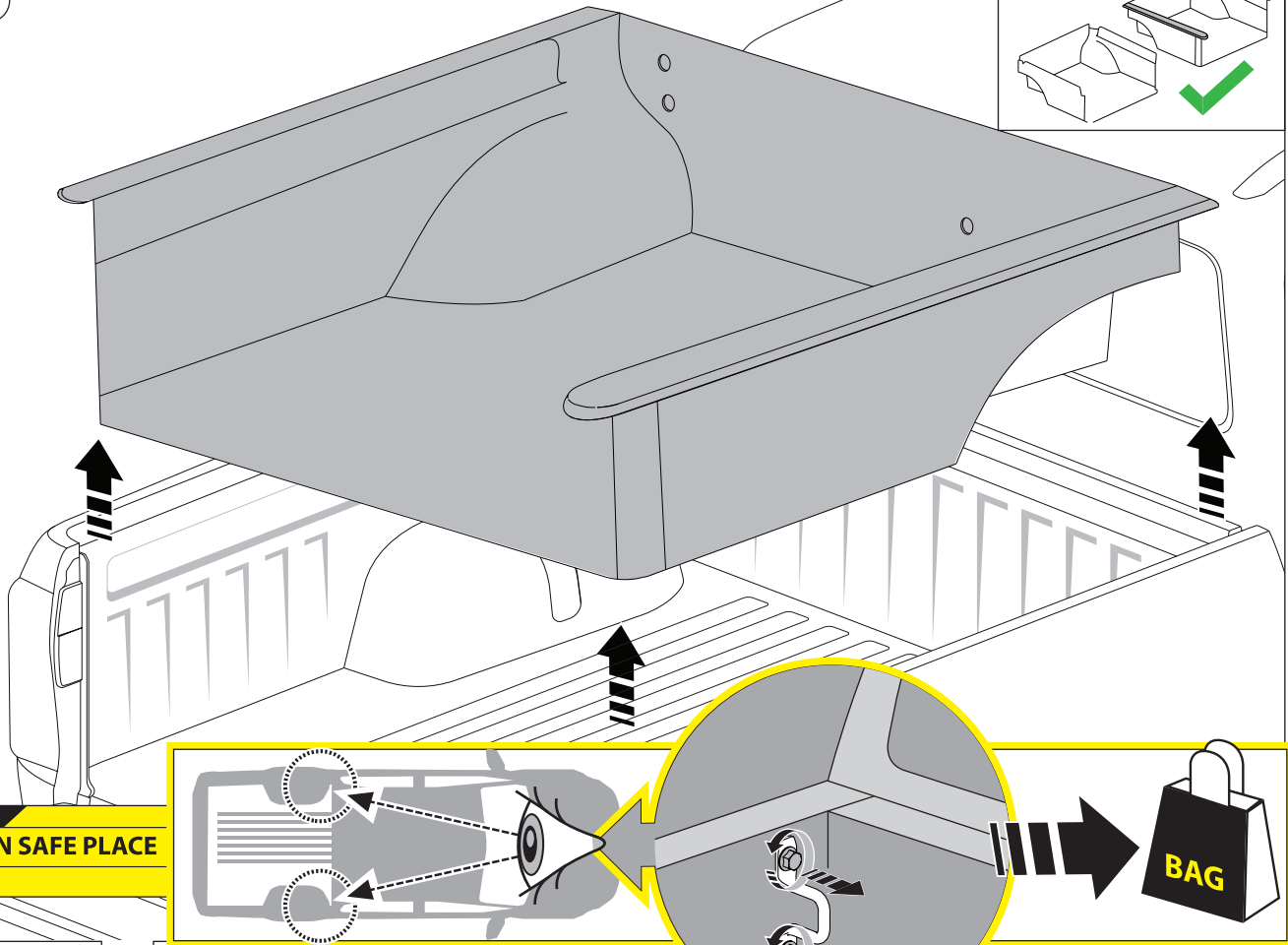
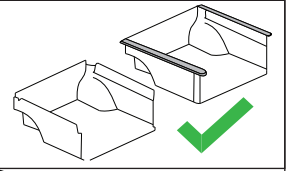
17



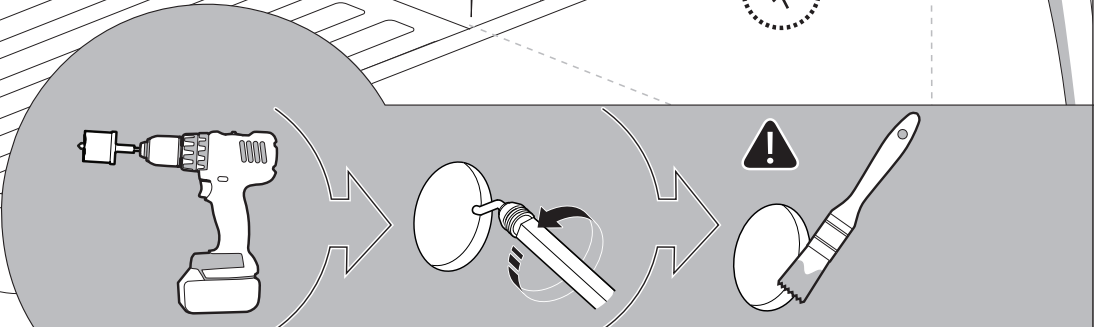
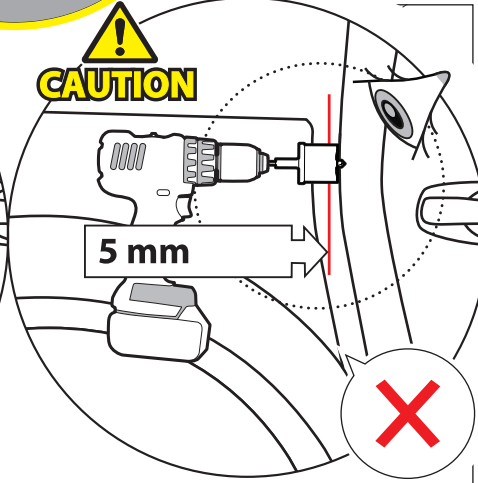
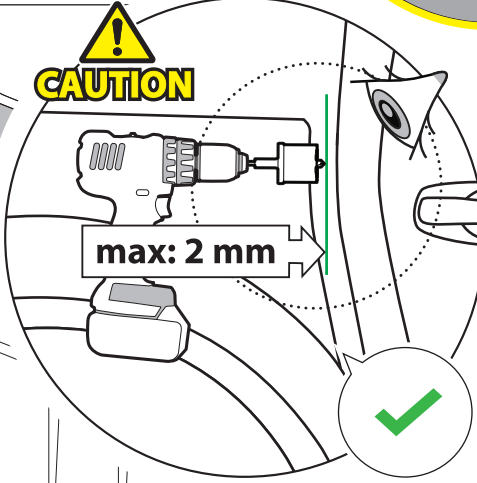
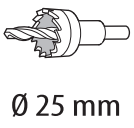
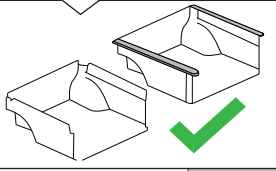


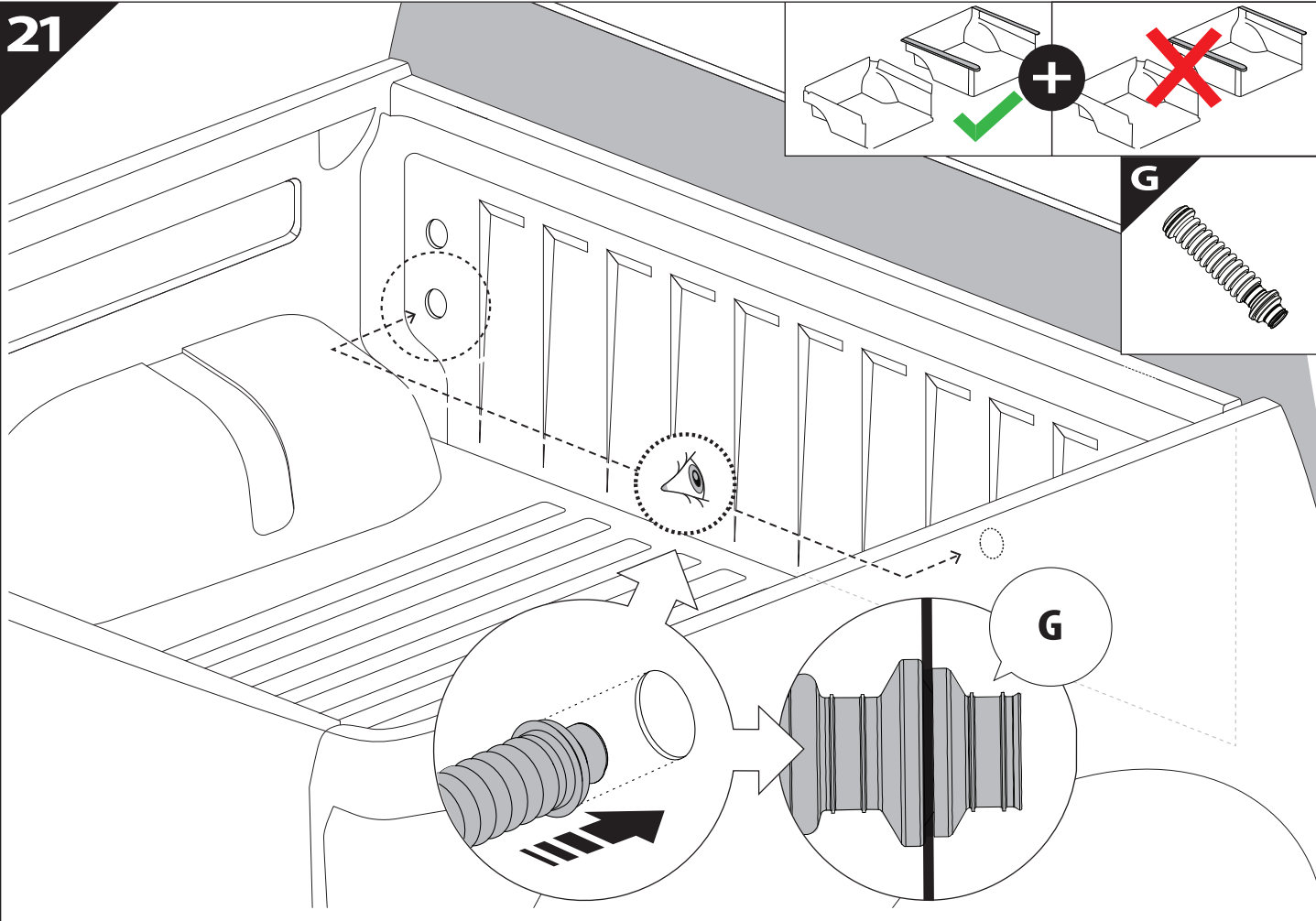


# 20.2

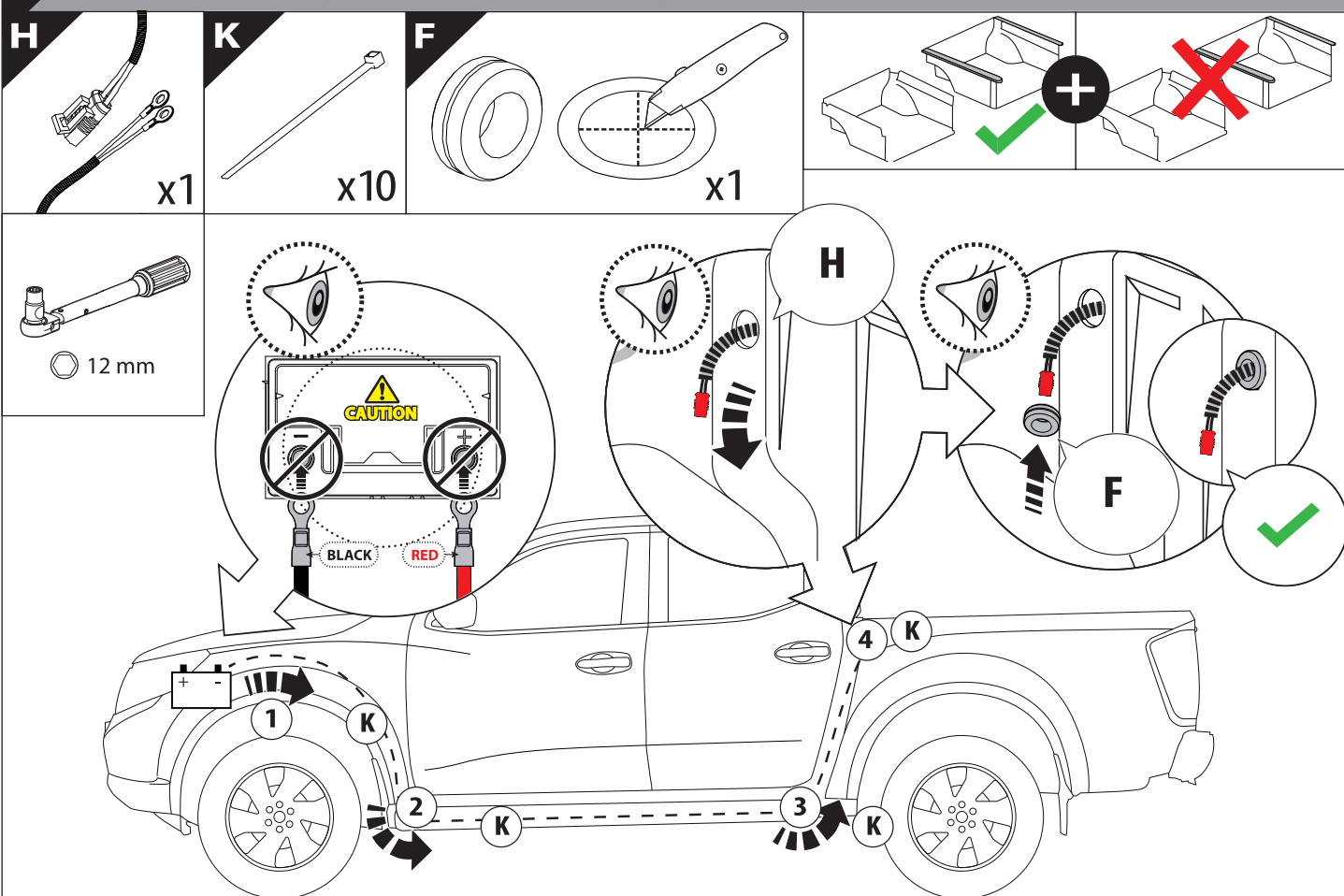


# 20.3



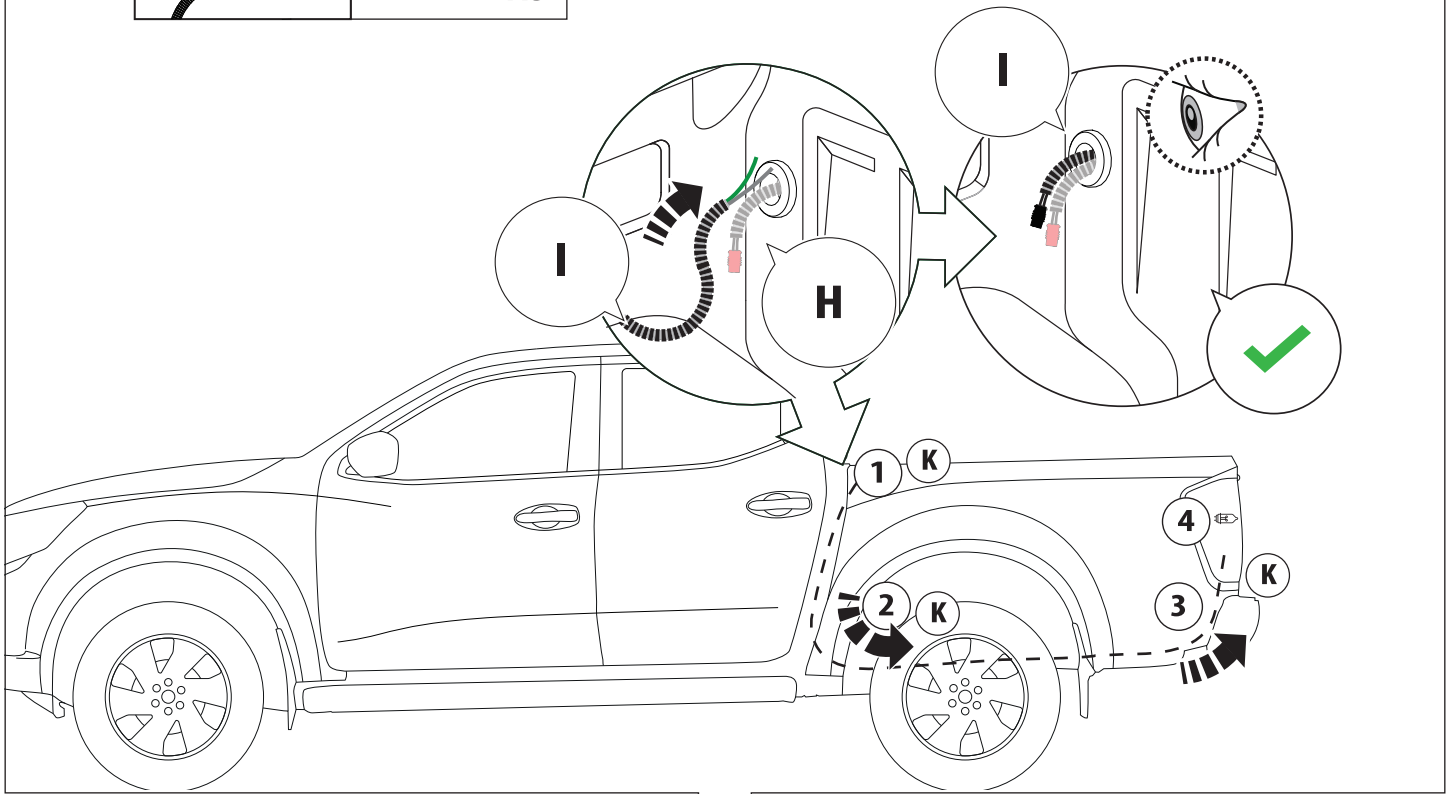
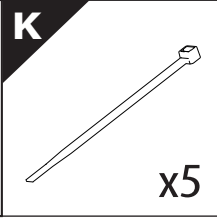
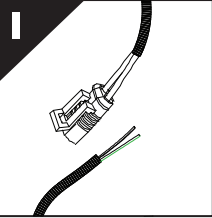


**22** Only to be installed by authorized personnel

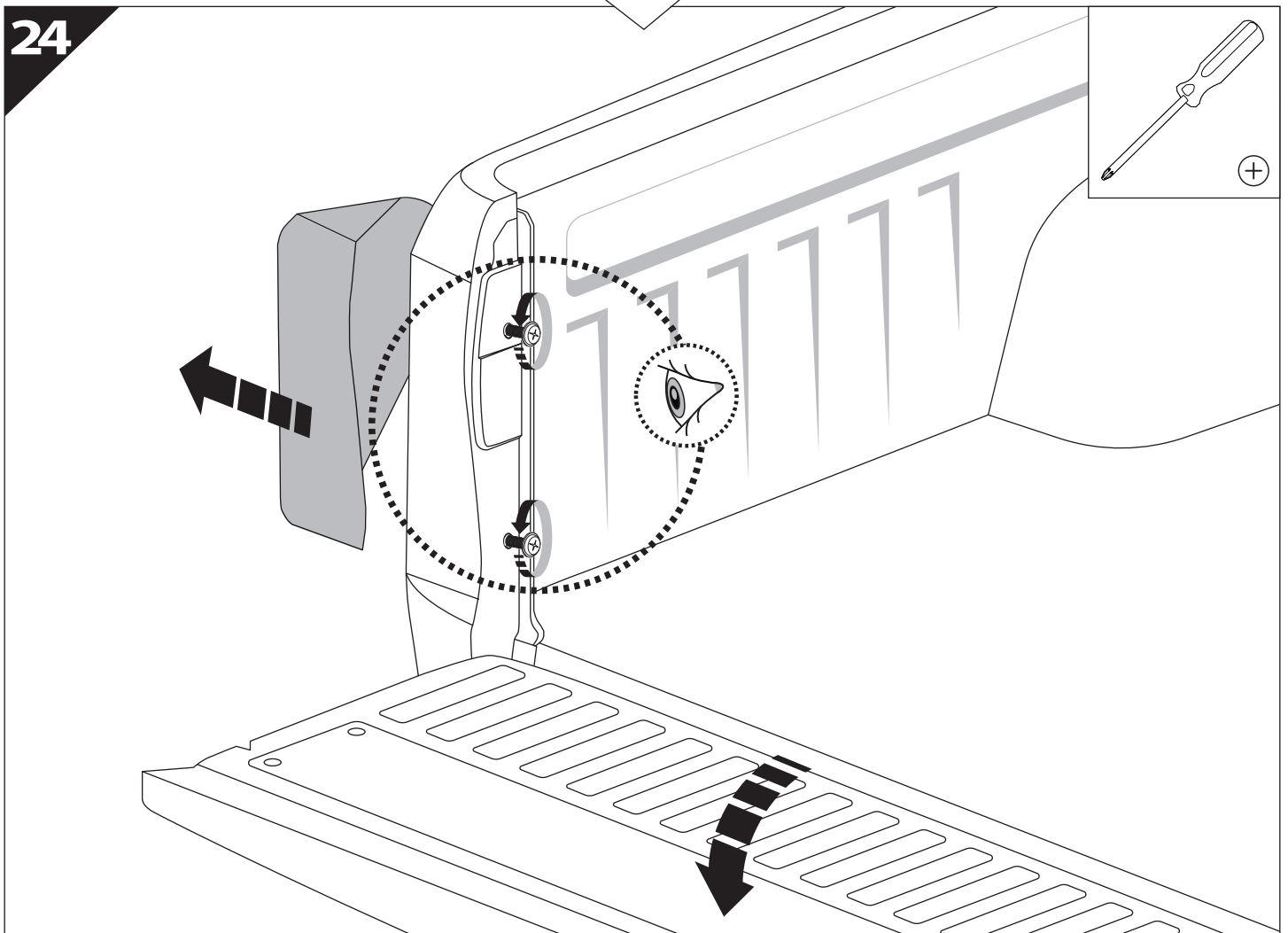
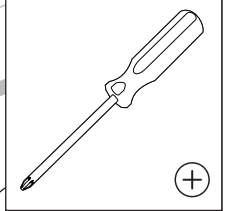




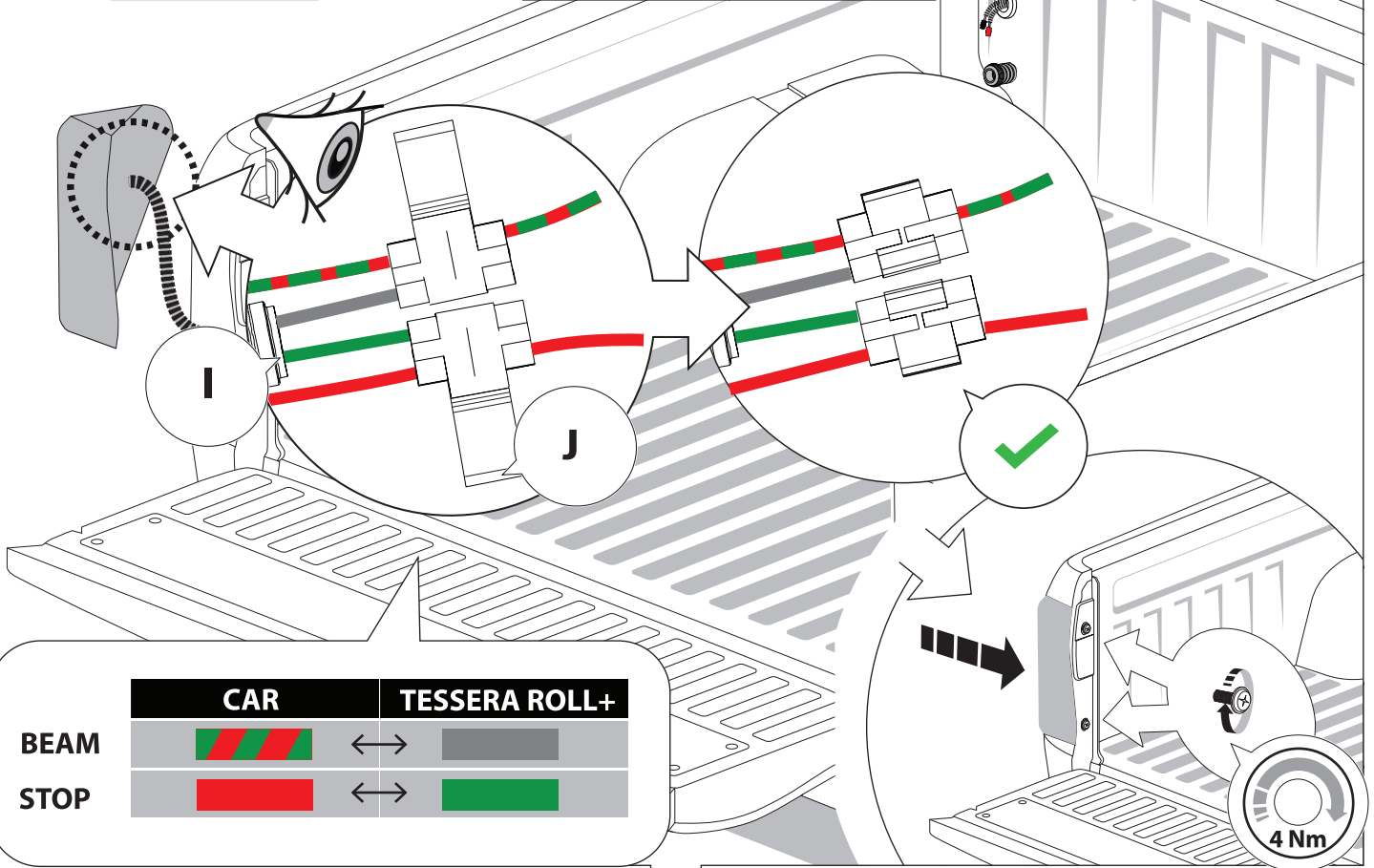
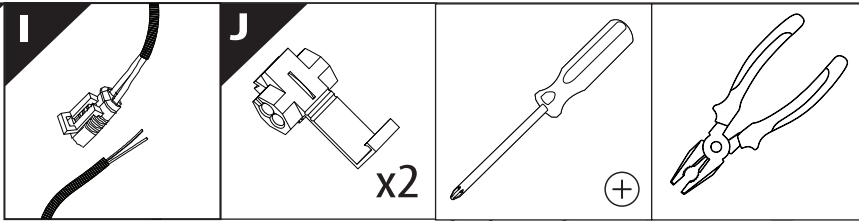
23



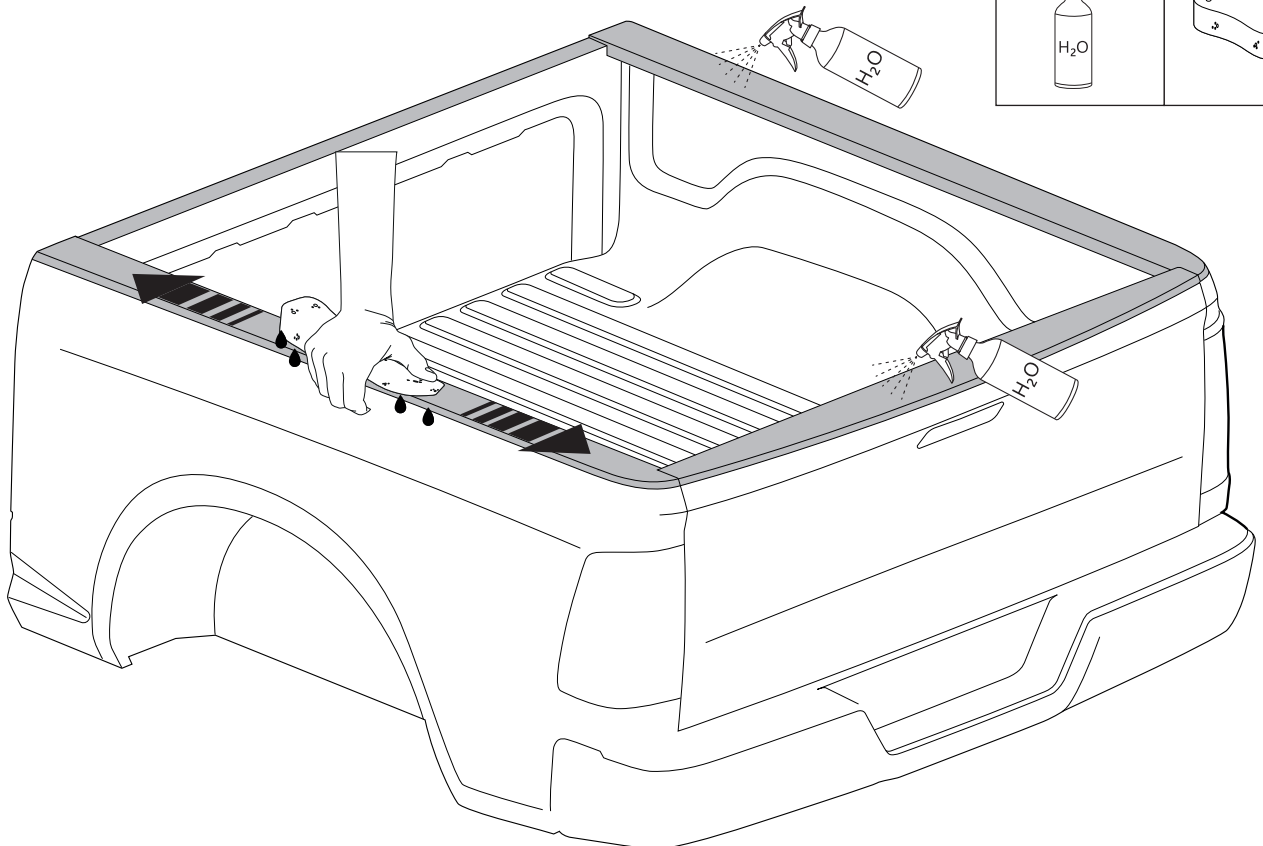
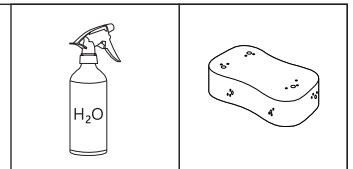
24



25

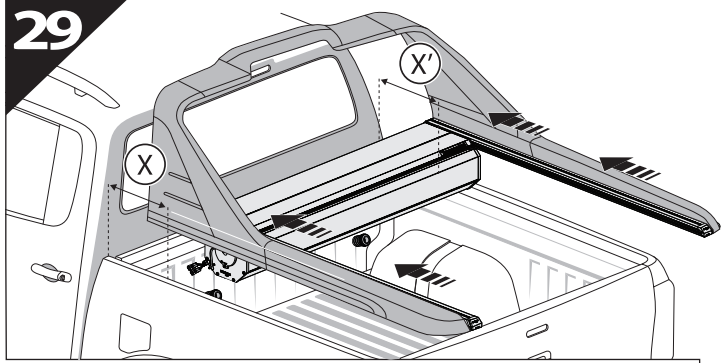


26

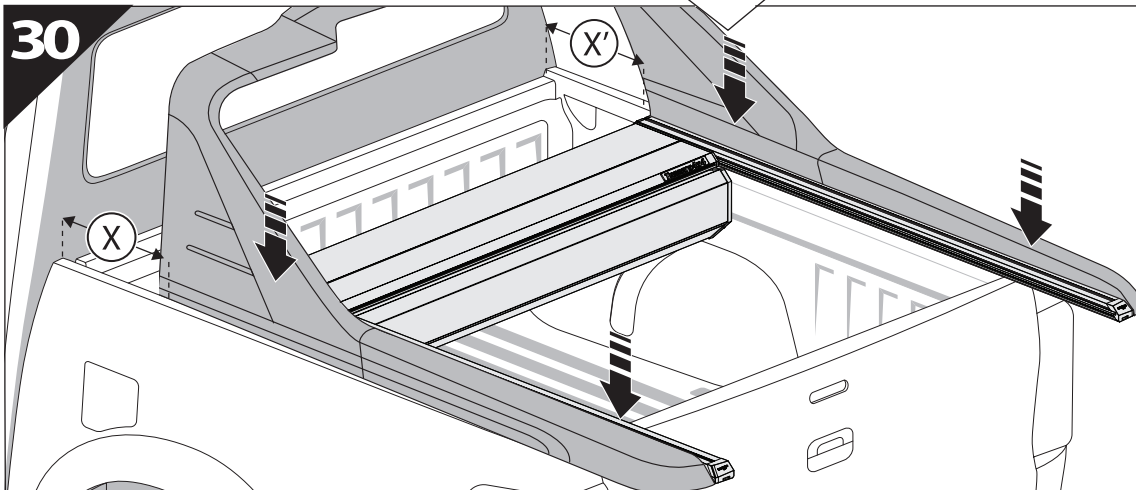




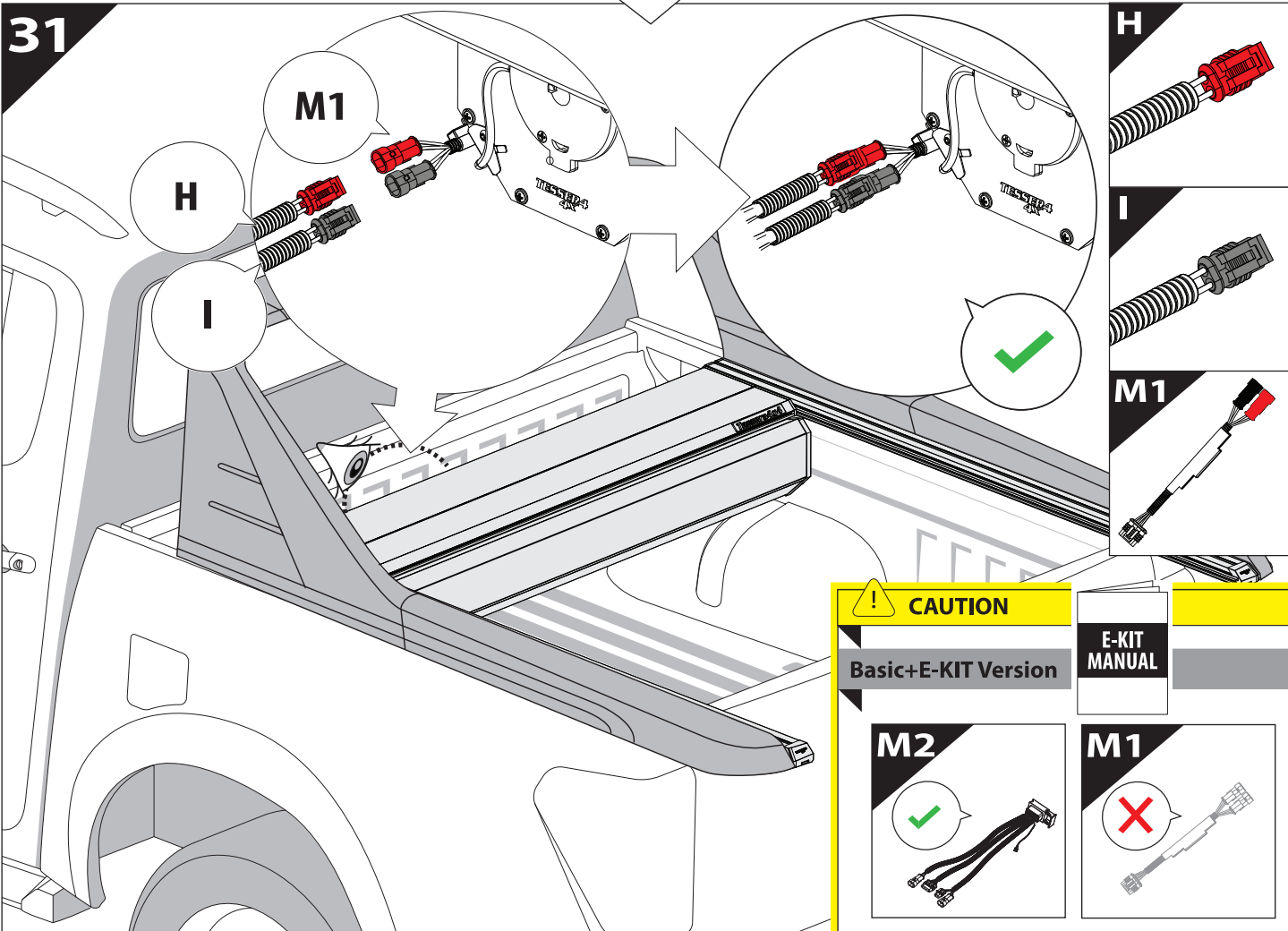
29



30

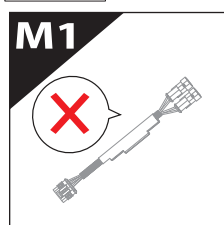
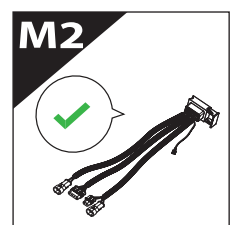


31



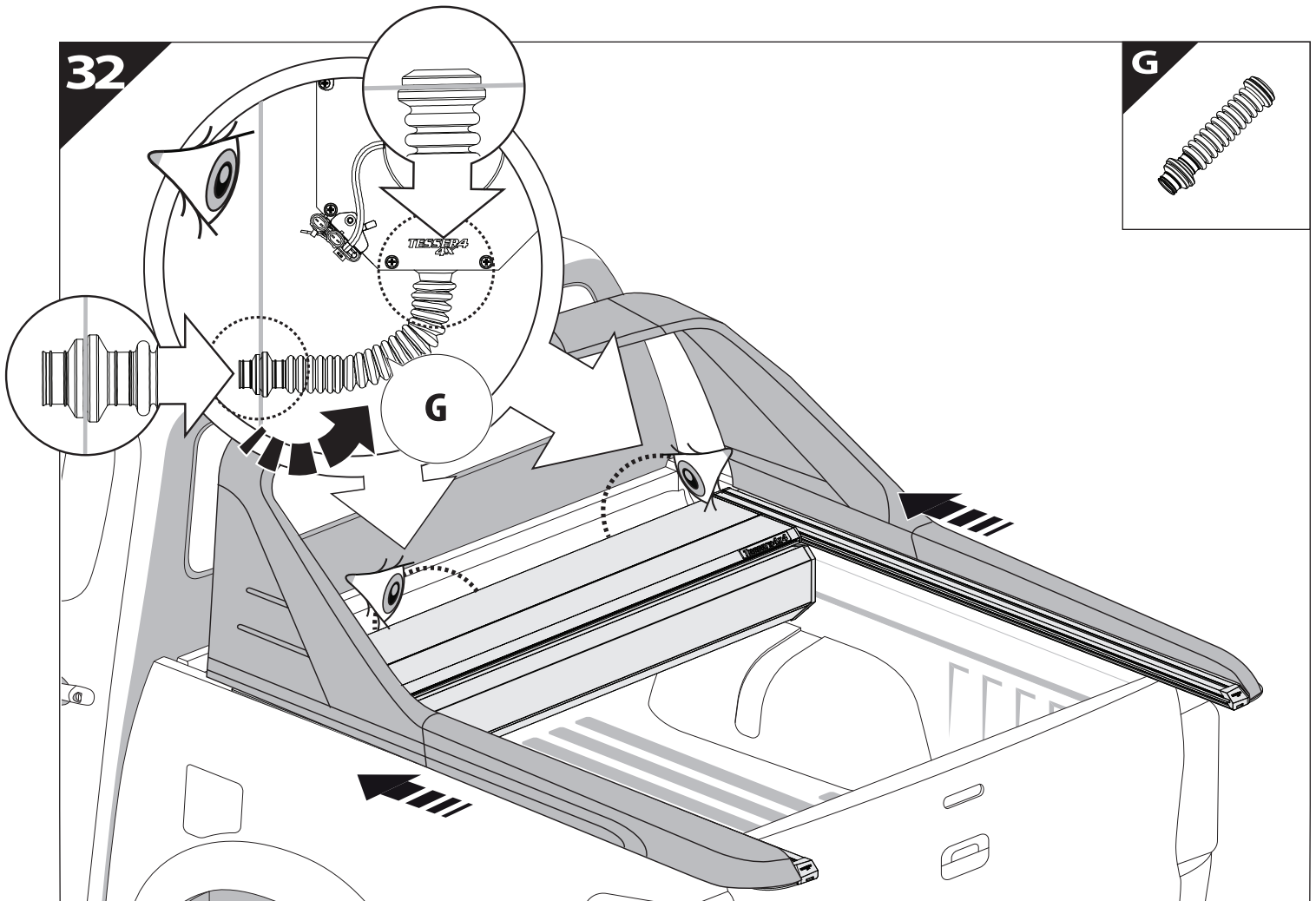
**CAUTION**  
Basic+E-KIT Version

E-KIT  
MANUAL

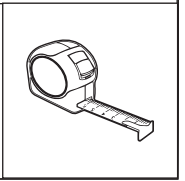
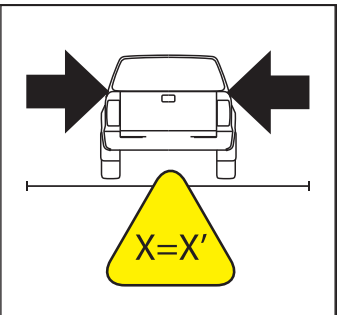
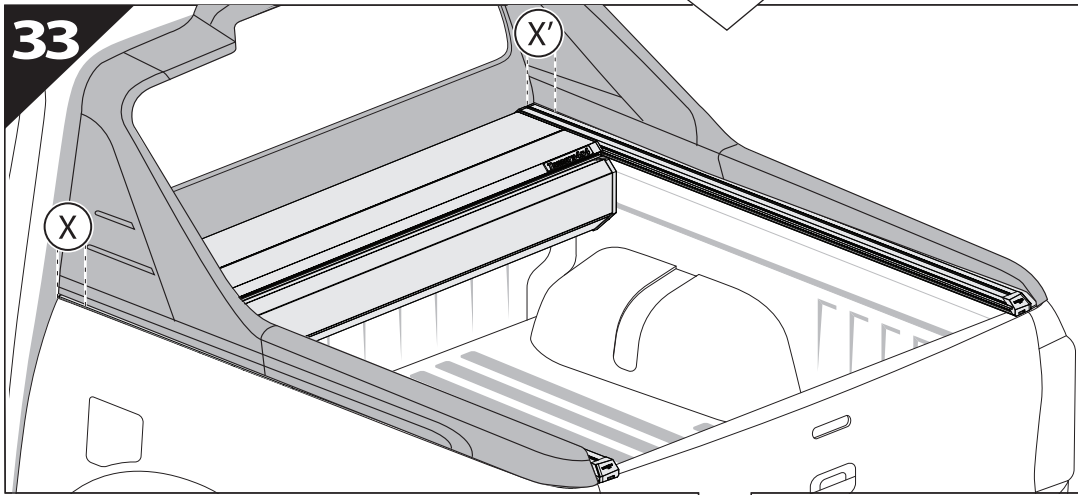


32

G

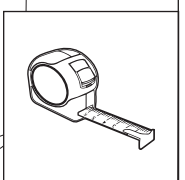
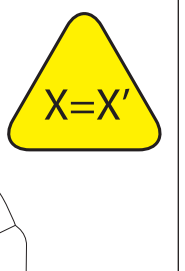
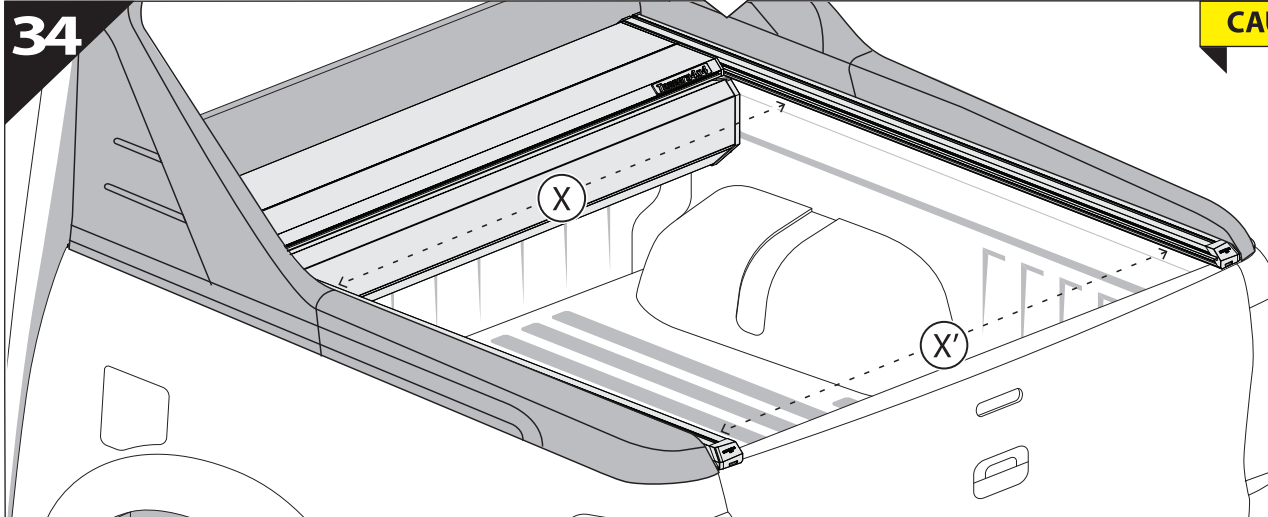


33

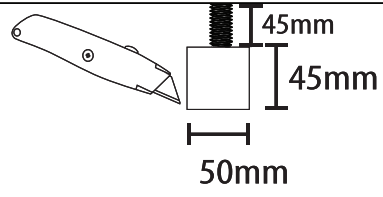
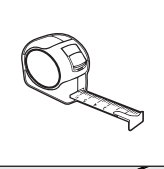
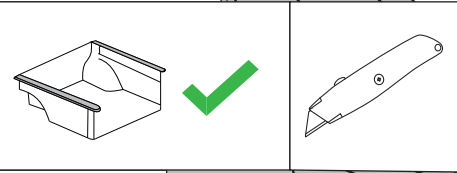


34

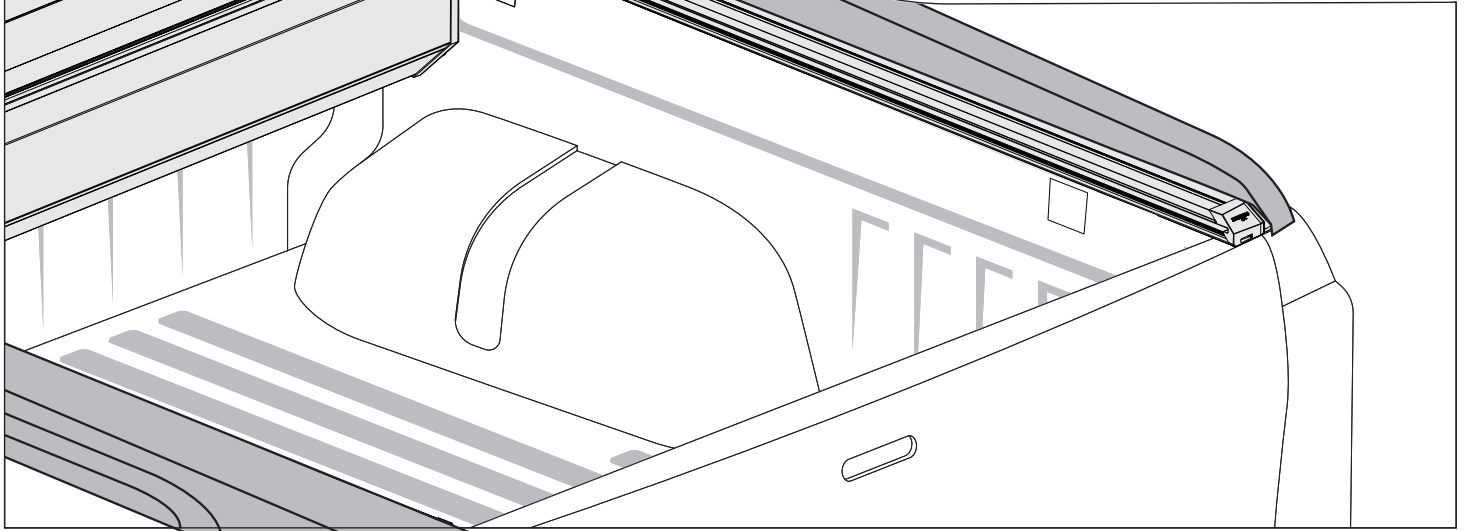
CAUTION !



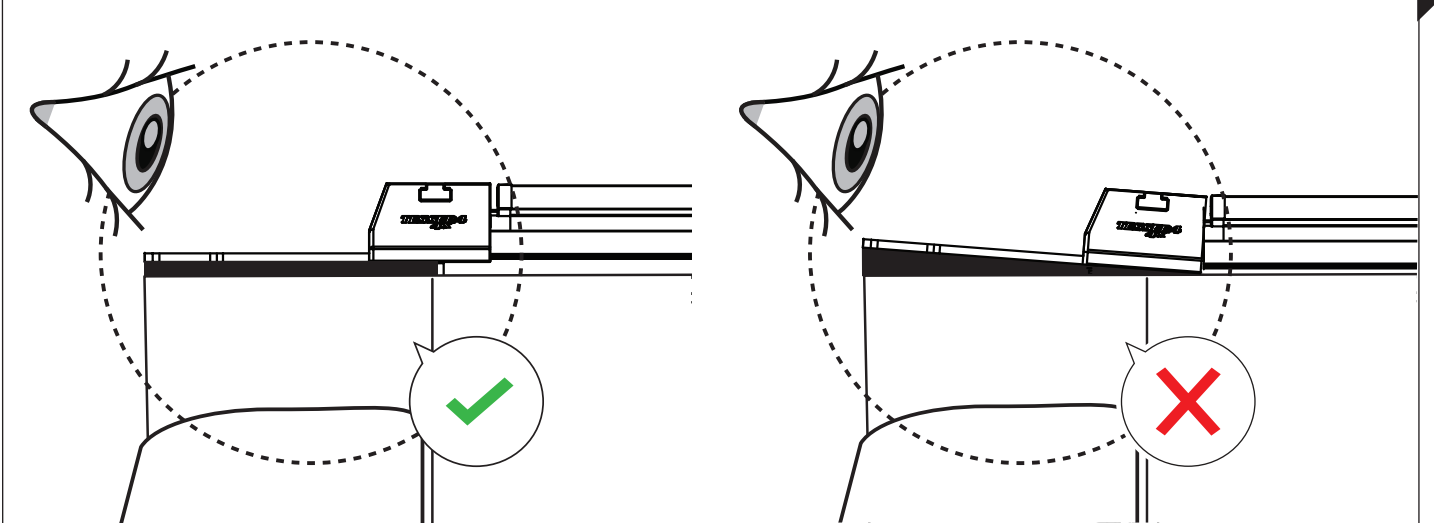
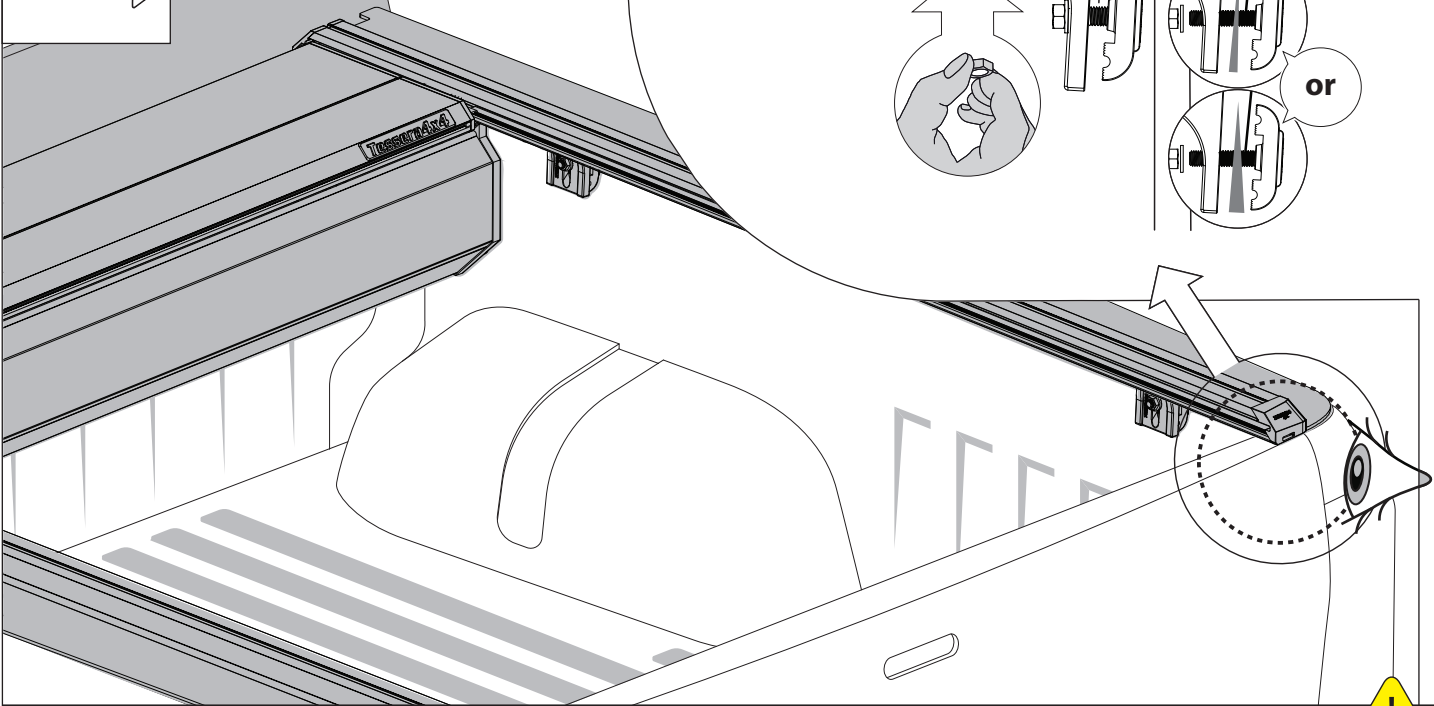
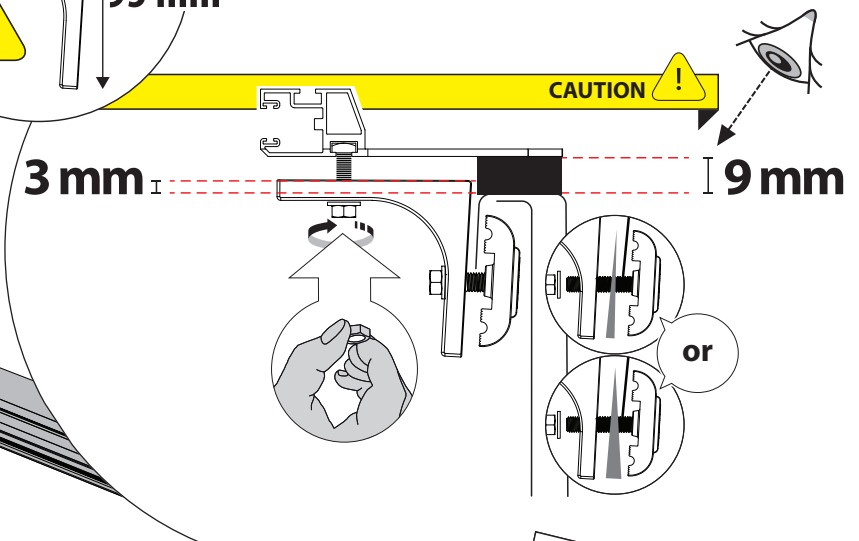
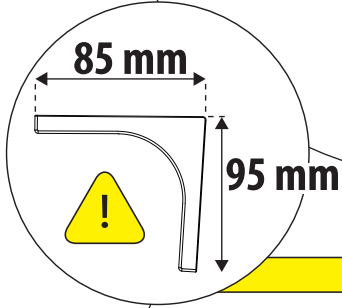
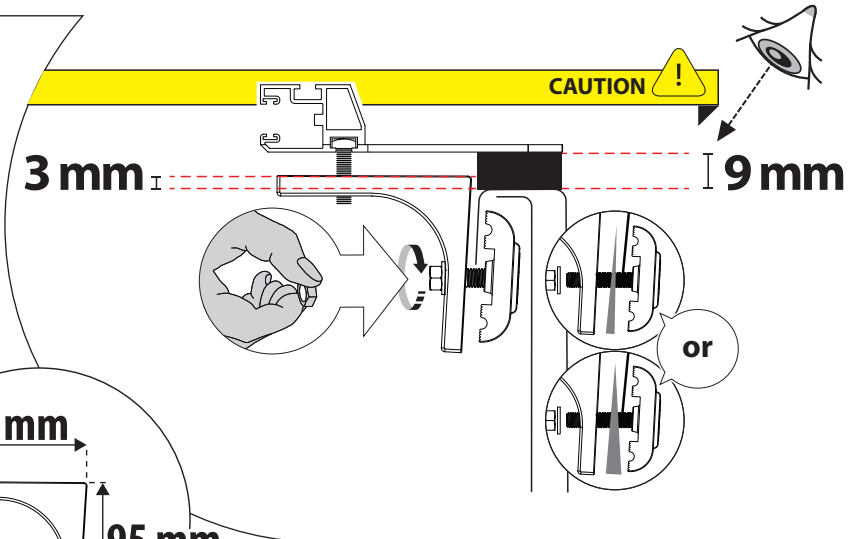
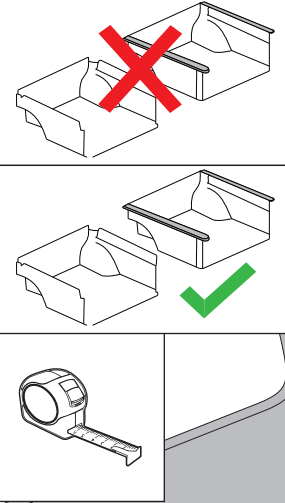
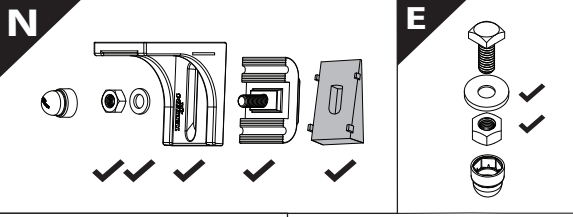
35

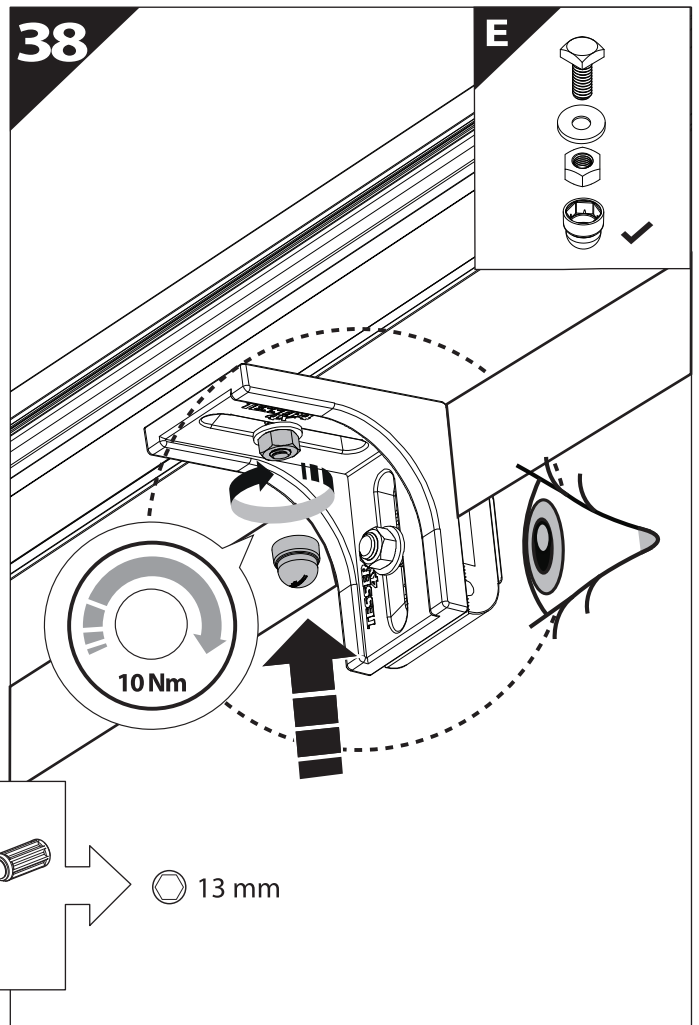
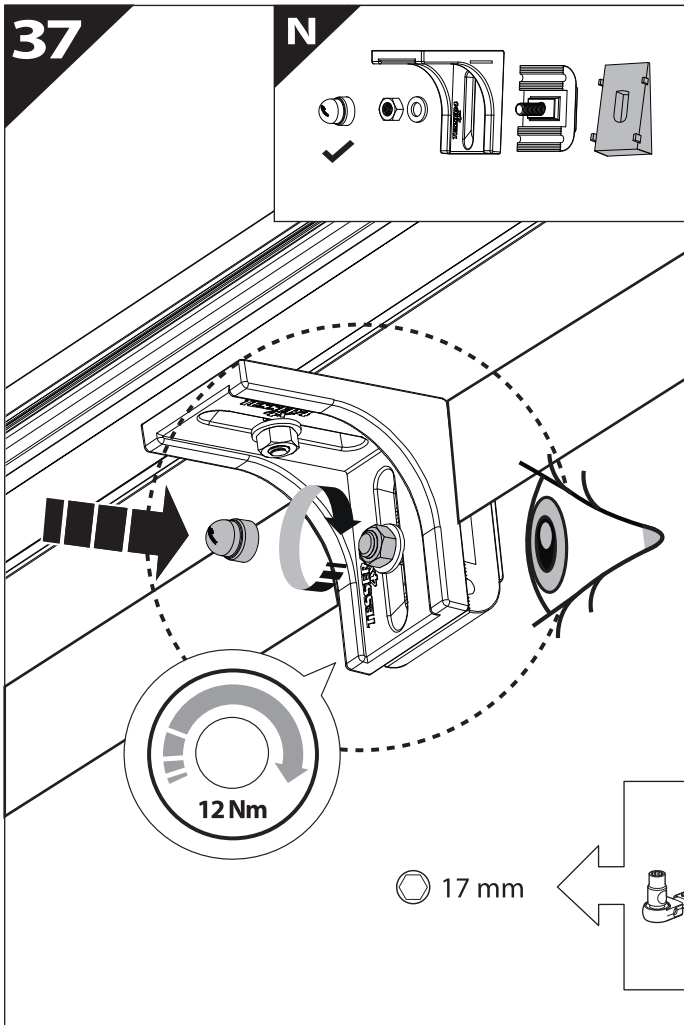


x4

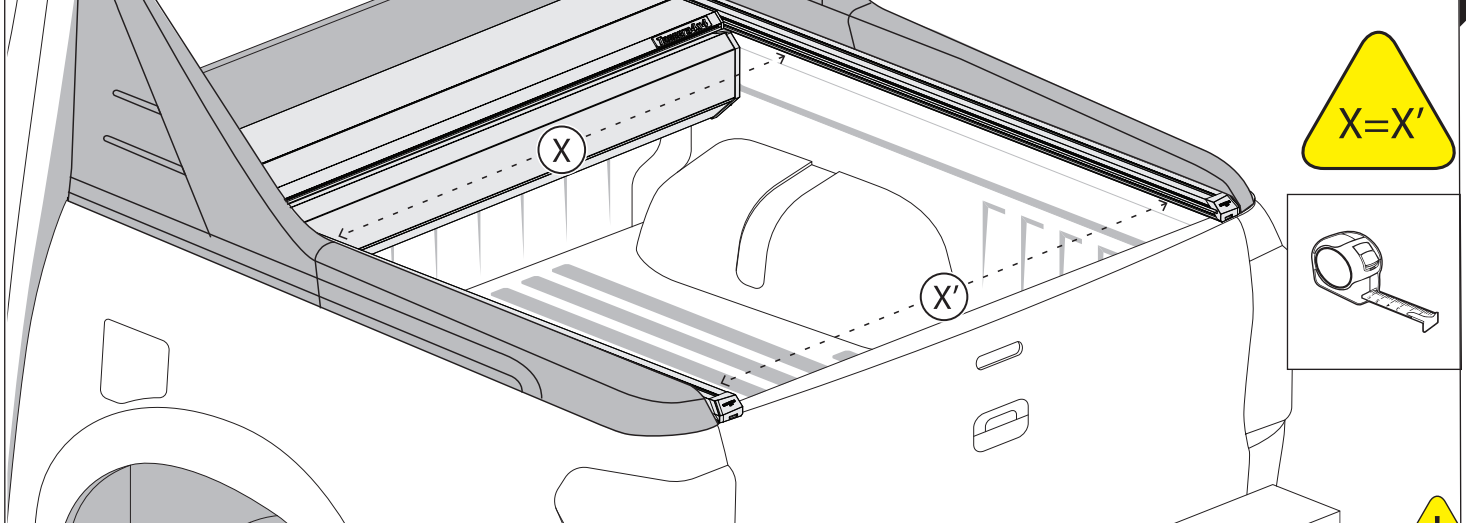


36

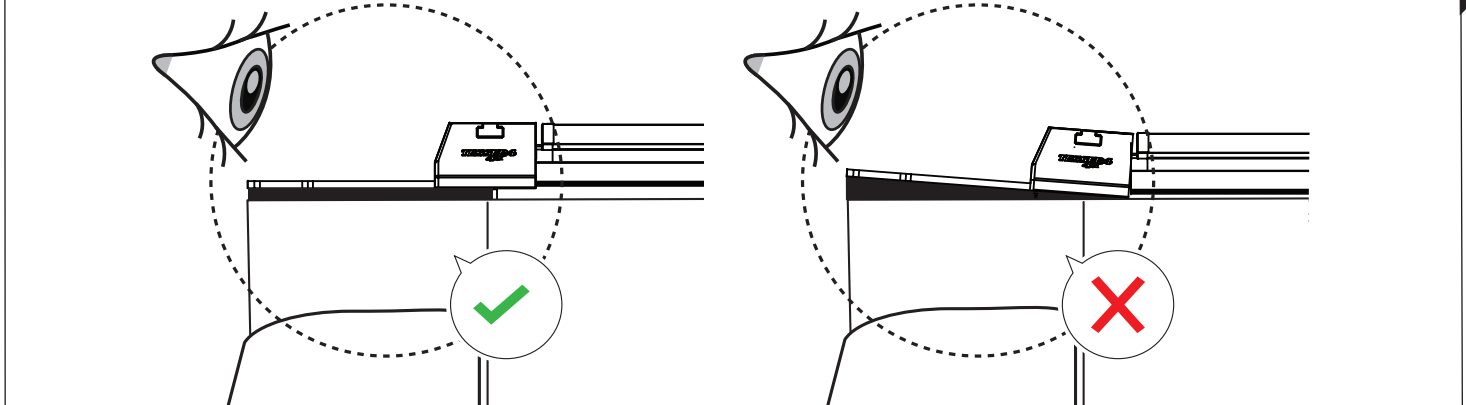




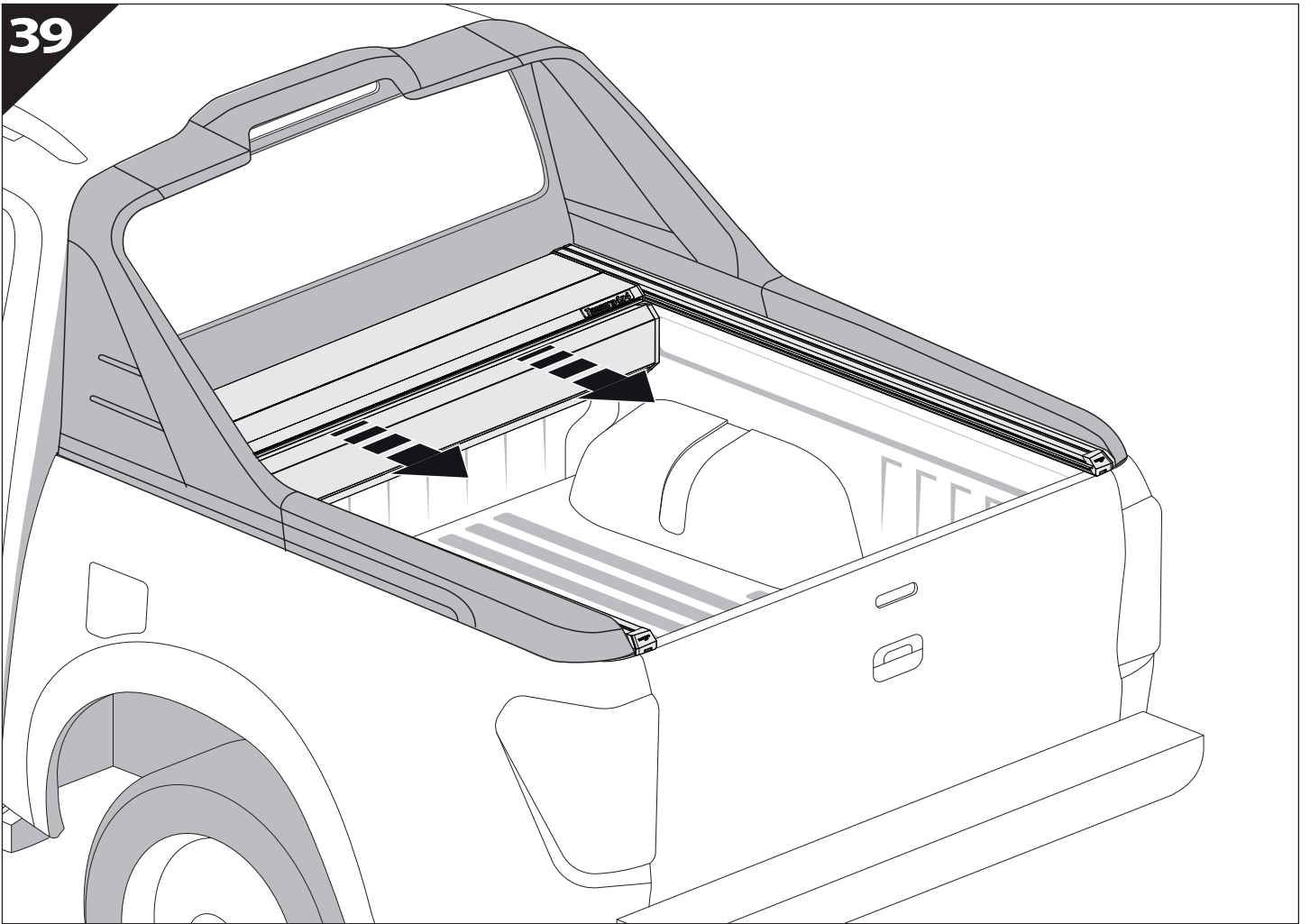
**CAUTION** !



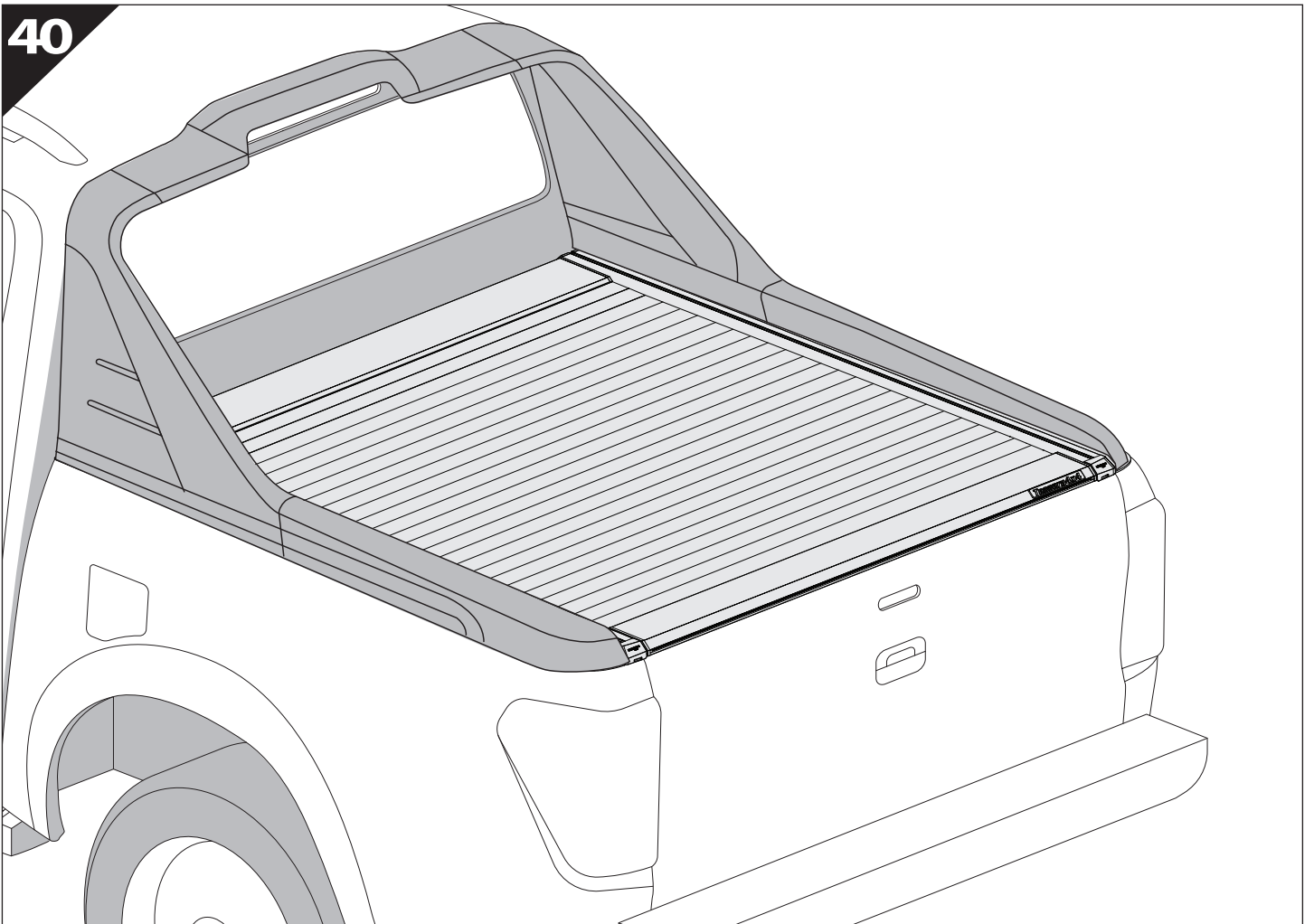
**CAUTION** !



39



40







**GR:** Οδηγίες Εγκατάστασης  
**GB:** Installation manual  
**SF:** Asennusohje  
**F:** Notice de montage  
**PL:** Instrukcja montażu  
**NL:** Installatie-instructies  
**TR:** Montaj Talimatı  
**S:** Monteringsanvisning  
**E:** Instrucciones de montaje

**H:** Szerelési utasítás  
**P:** Instruções de instalação  
**RUS:** Инструкция по установке  
**N:** Monteringsveiledning  
**D:** Einbauanleitung  
**CZ:** Návod k instalaci  
**I:** Istruzioni de montaggio  
**DK:** Monteringsvejledning  
**RO:** Instructiuni de instalare

Customer Service:

+30 (210) 5541161, +30 (210) 5541154 (08:00 - 16:00 EET)

Support department:

[info@gianso.gr](mailto:info@gianso.gr)

Website:

[www.tessera4x4.com](http://www.tessera4x4.com)

Address:

19.5 km of National road Athens-Korinthos (Elefsina) Greece, P.C: 19200