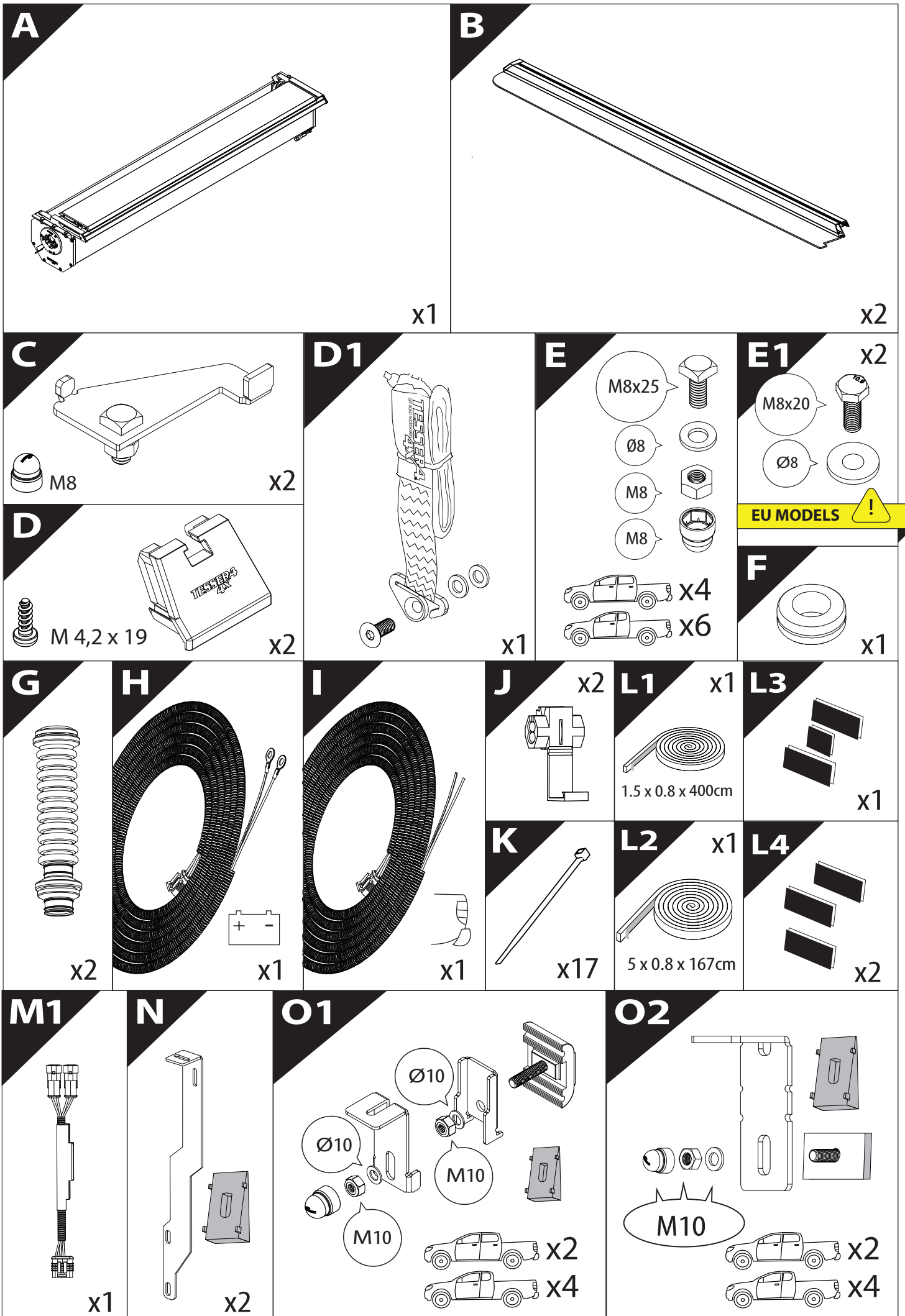

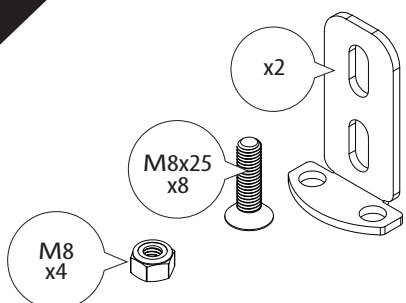
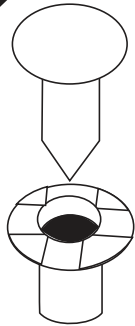
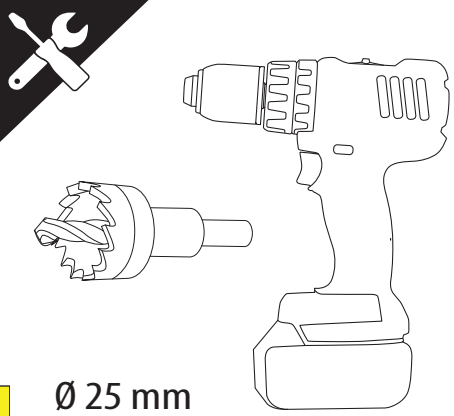
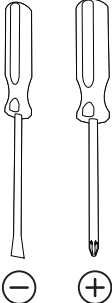
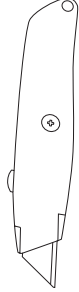

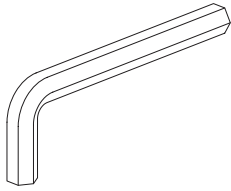
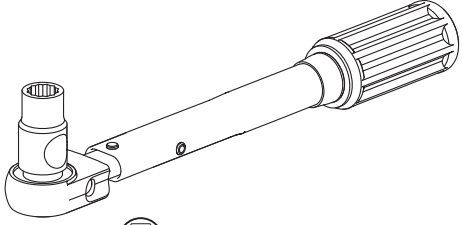



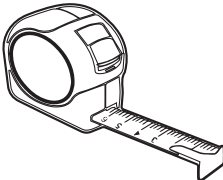

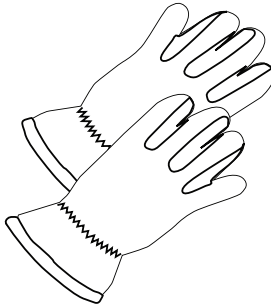
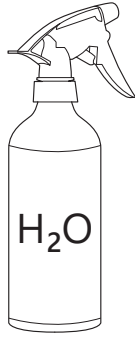
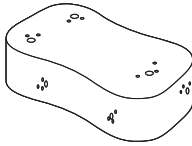
Installation Manual

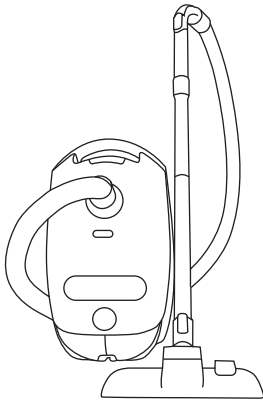
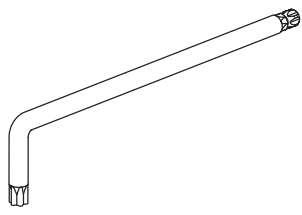
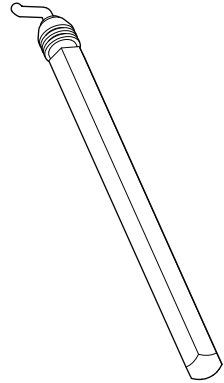
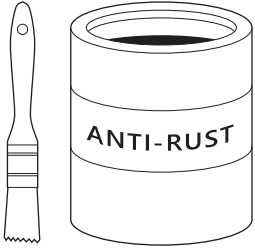
PART NUMBER(S)	Model Year
TESS 14060 ROLL+ADAPT 008	FORD RANGER 2023+ SPORT WITH OEM ROLLBAR WITH OR WITHOUT C-CHANNELS
TESS 14070 ROLL+ADAPT 008	
Cab(s)	Installation Time / Weight
Double Cab & Space Cab	40-60 minutes / 53-57 kg


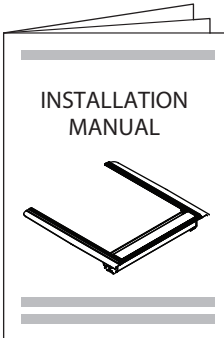
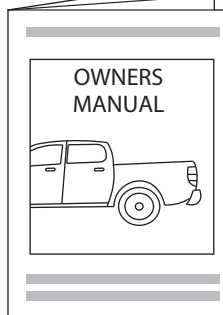


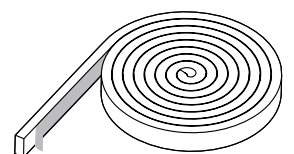
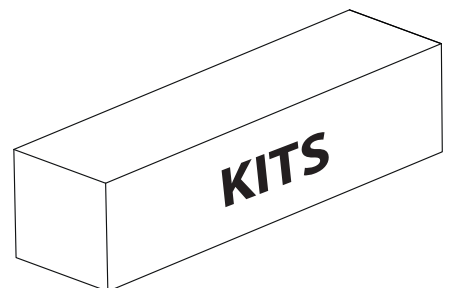
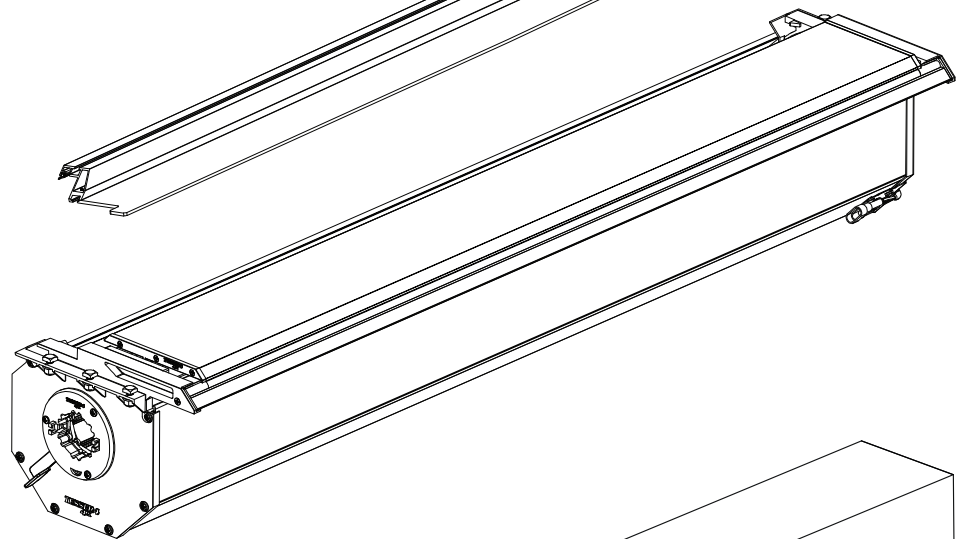
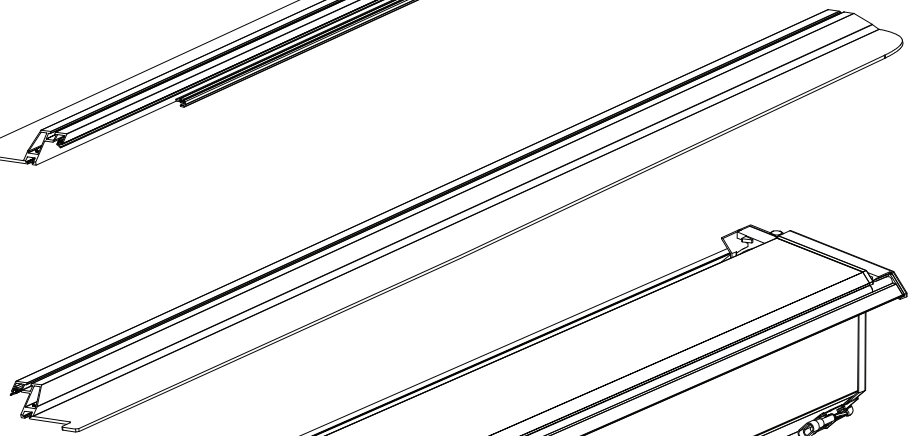
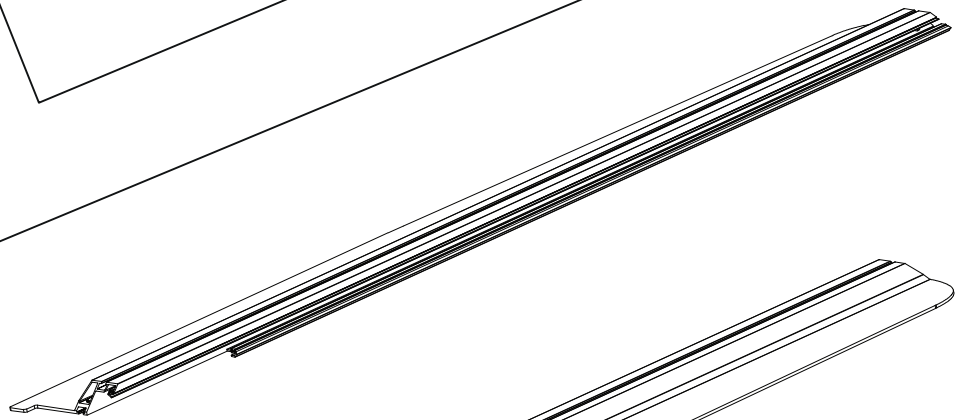
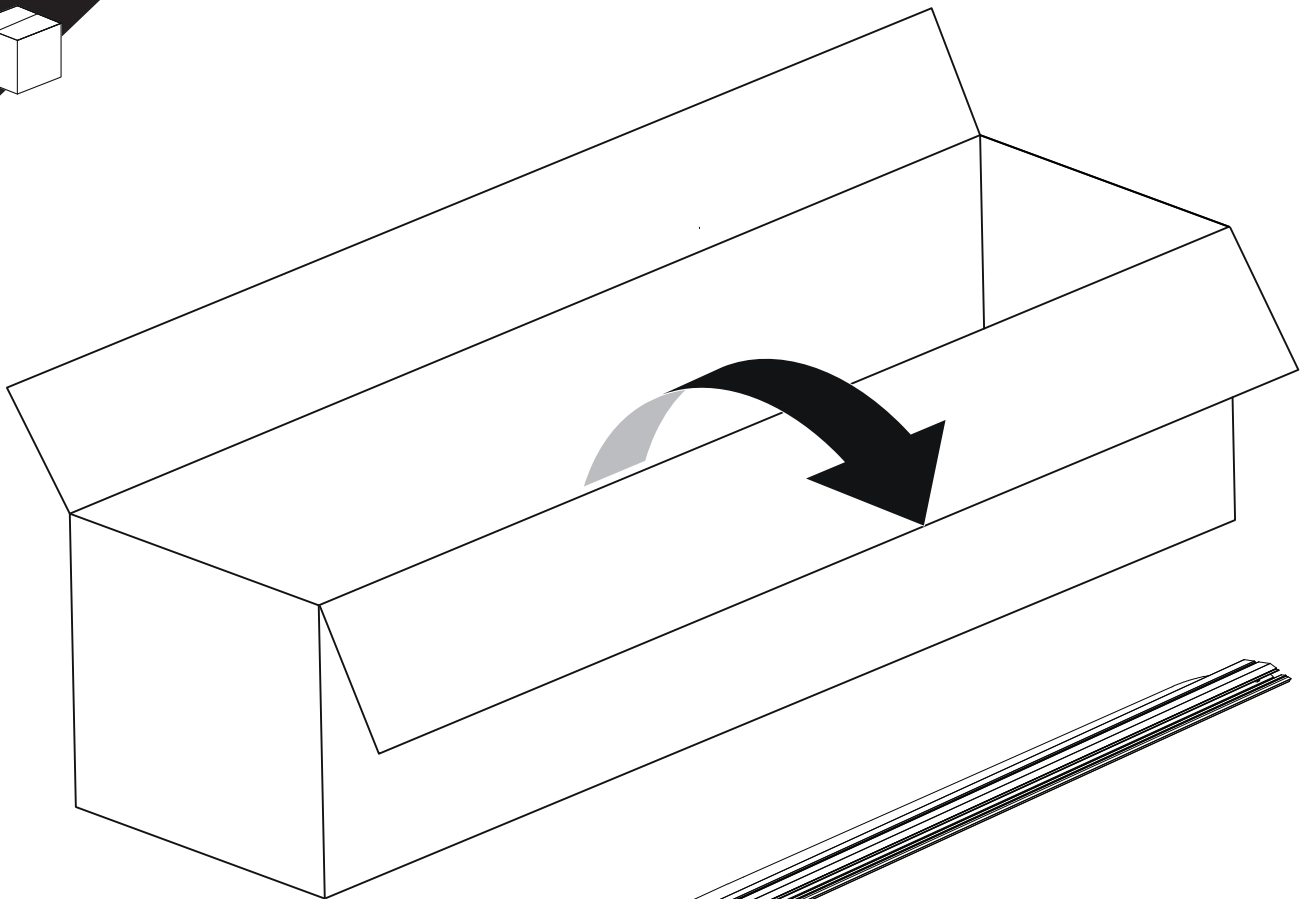
<p>P</p>  <p>x1</p>	<p>Q</p>  <p>M8 x4</p> <p>M8x25 x8</p> <p>x2</p>	<p>R</p> <p>x2</p>  <p>US MODELS !</p>	 <p>Ø 25 mm</p>
---	--	---	---

 <p>⊖</p> <p>⊕</p>			 <p>4 mm</p>	<p>1 - 25 Nm</p>  <p>10, 12, 13, 17 mm</p>
---	---	---	---	---

 <p>ACETONE</p>				 <p>H₂O</p>	
---	--	--	---	--	---

	 <p>T30, T40</p>		 <p>ANTI-RUST</p>
---	---	--	--

	 <p>INSTALLATION MANUAL</p>	 <p>OWNERS MANUAL</p>	<p>x1</p>
---	--	---	-----------

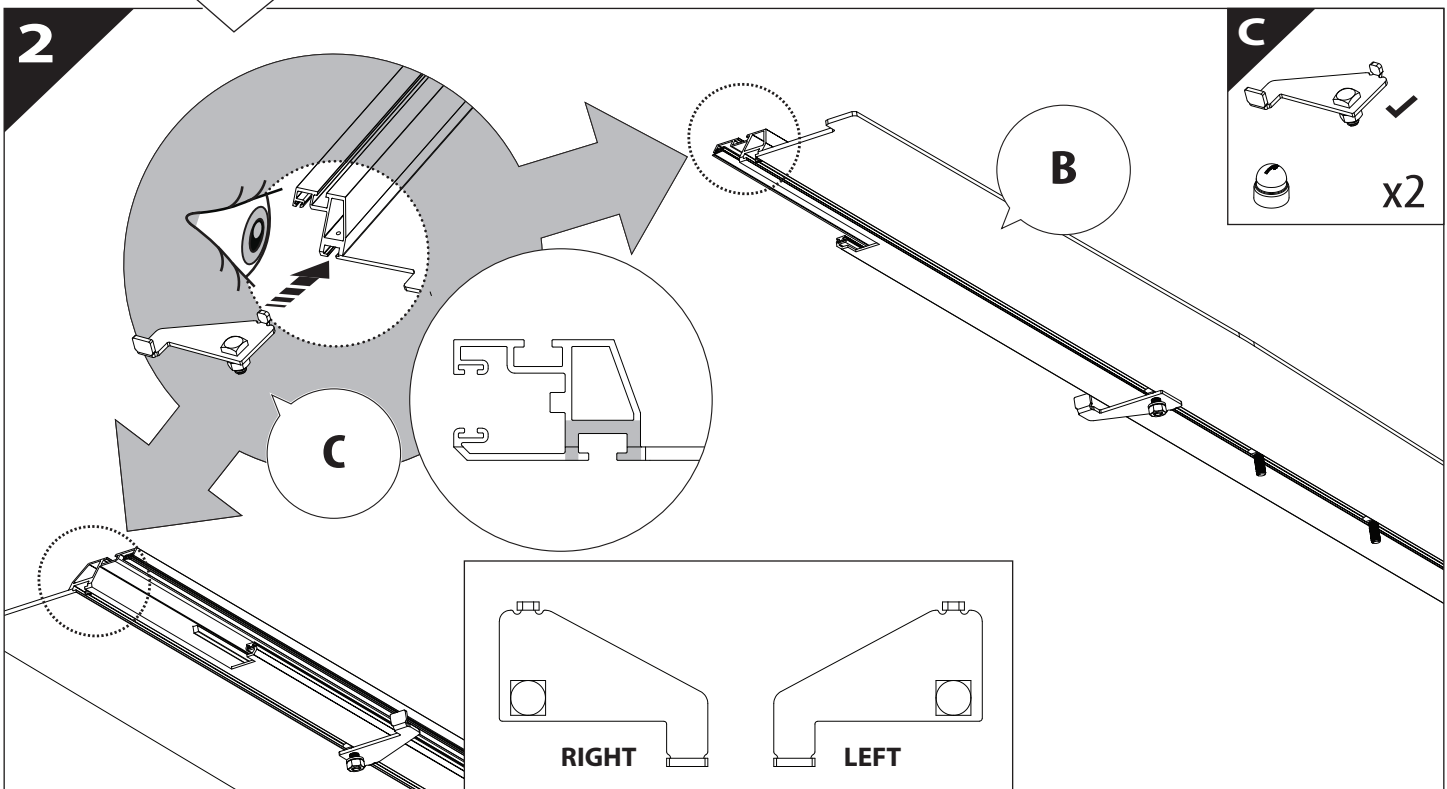
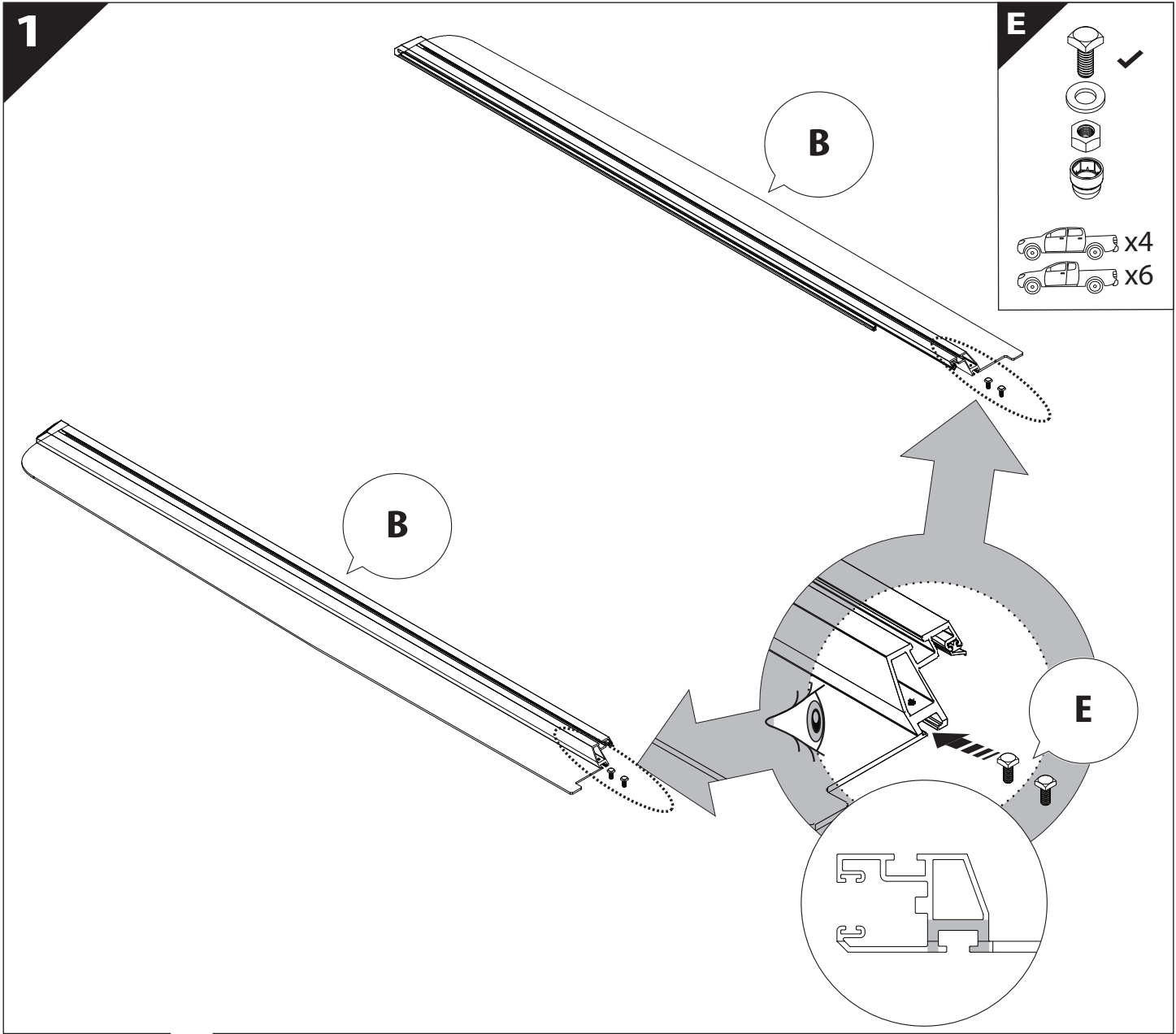


B

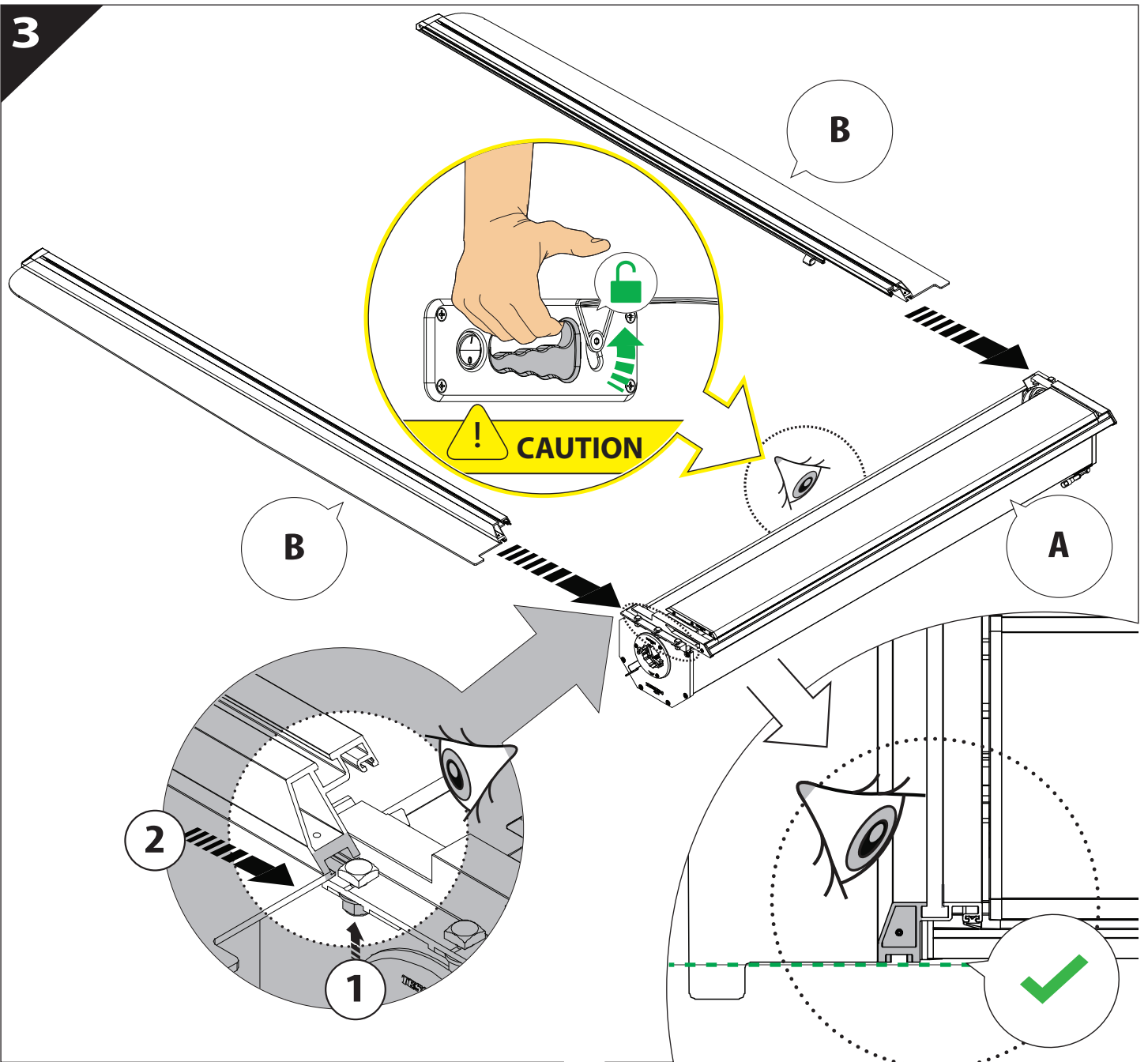
A

KITS

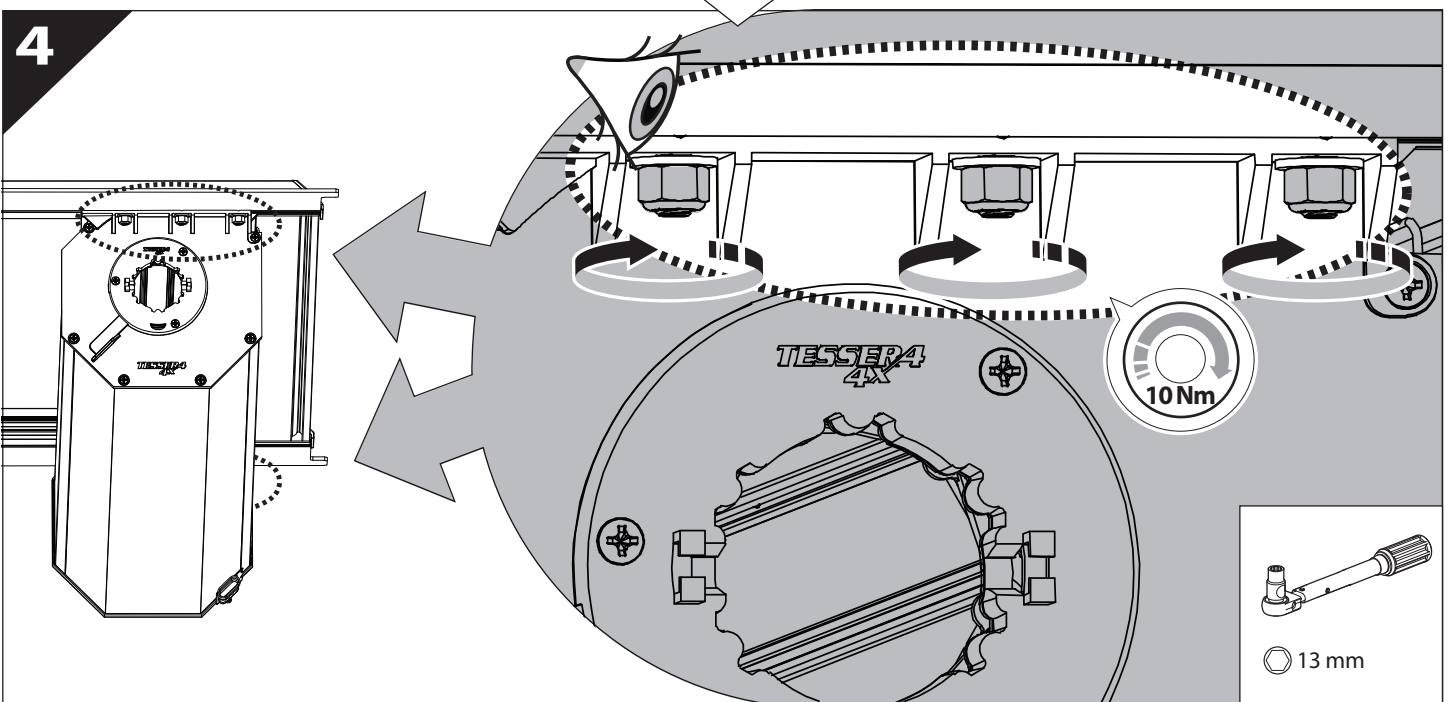
L

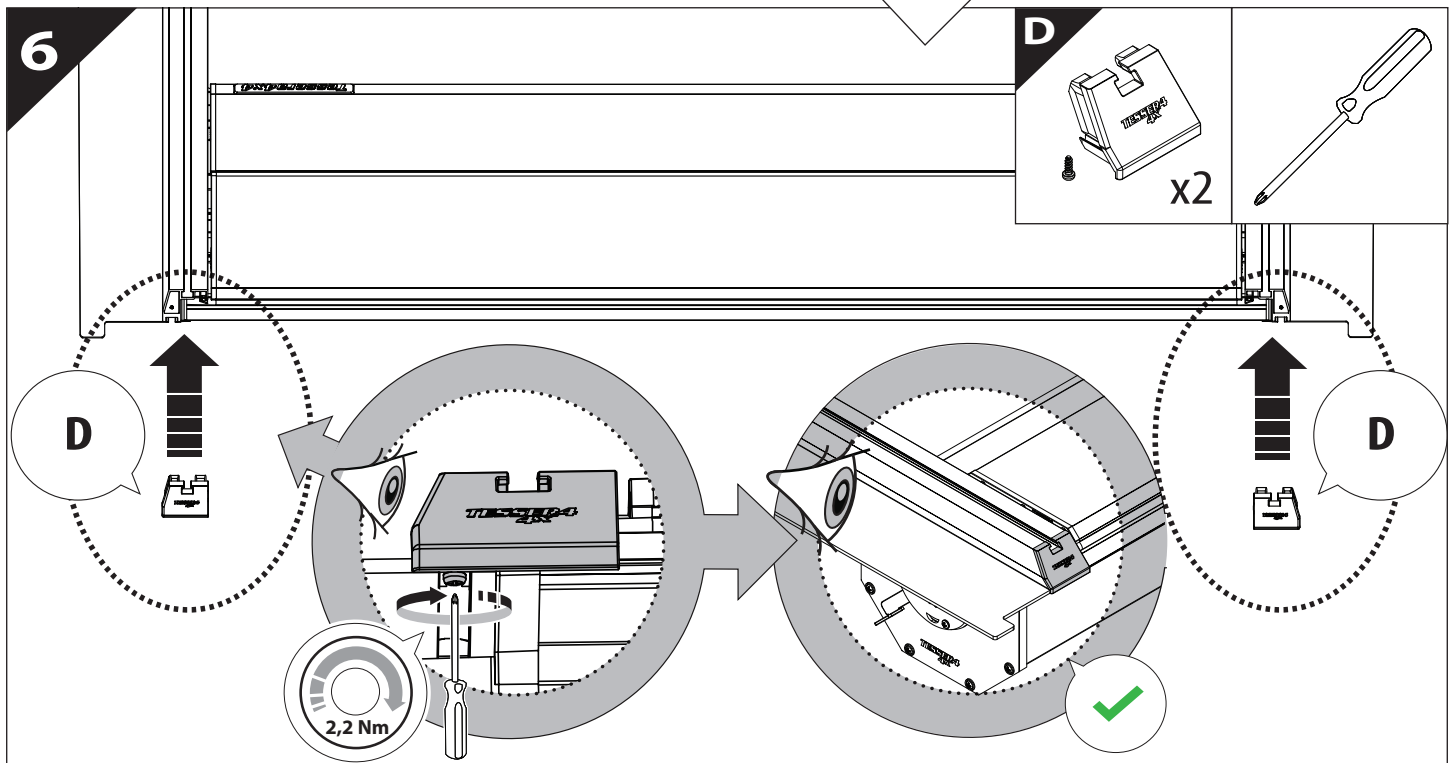
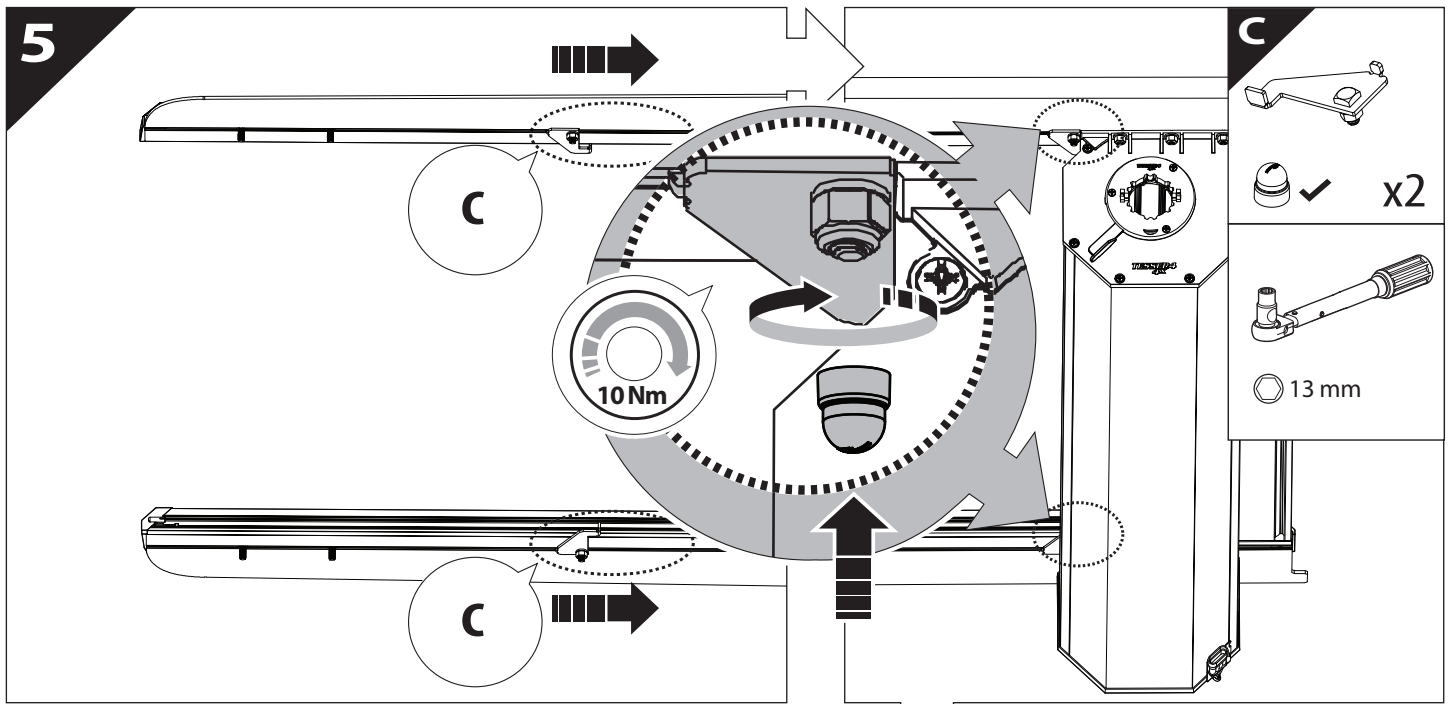


3

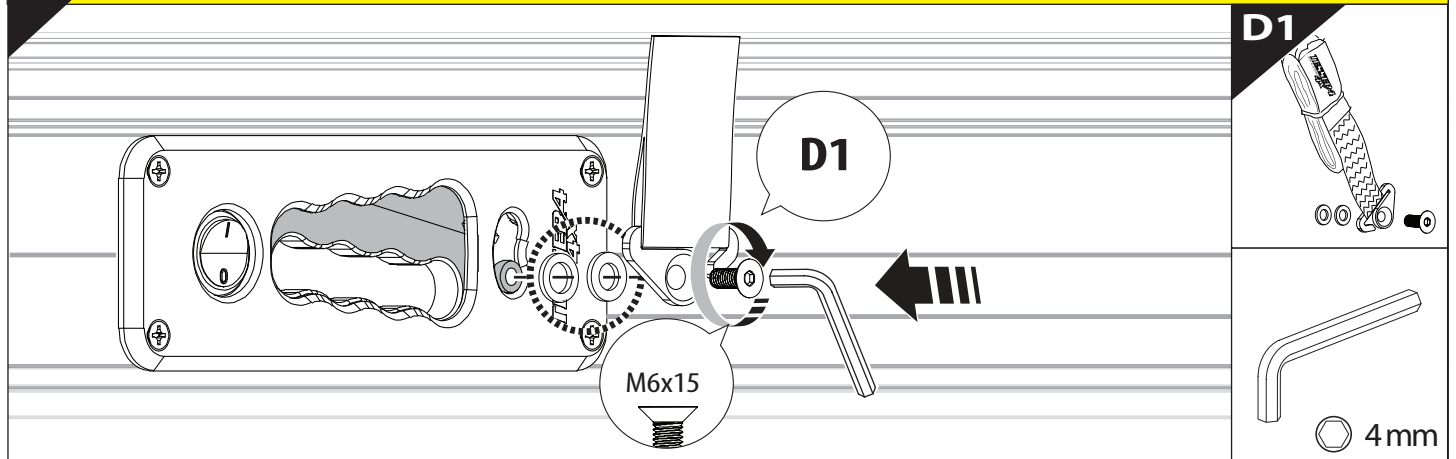


4

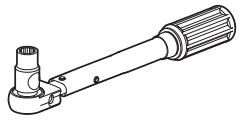




6.1 **CAUTION** Basic Version ✓ & Basic+S-KIT Version ✓

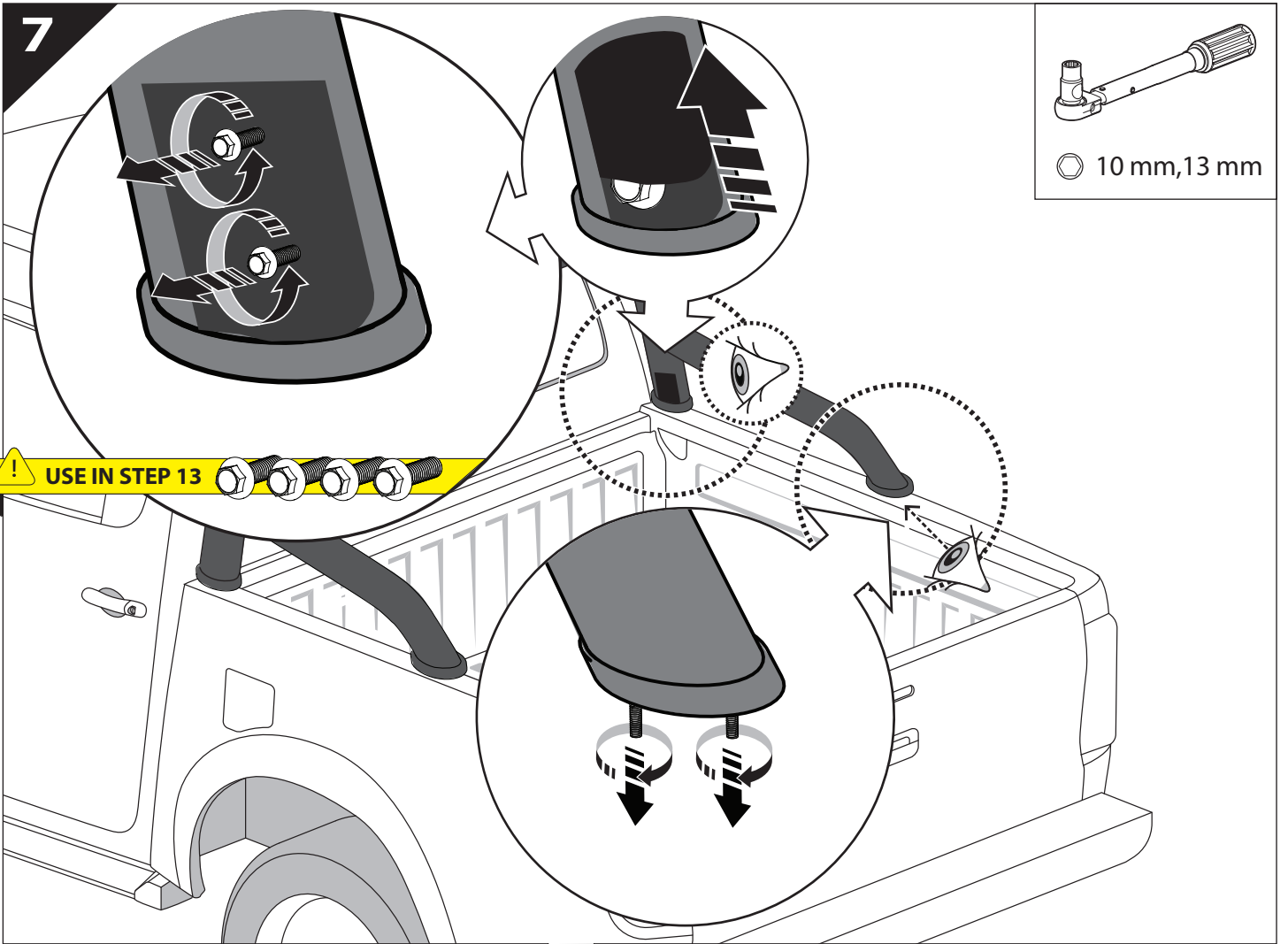


7



10 mm, 13 mm

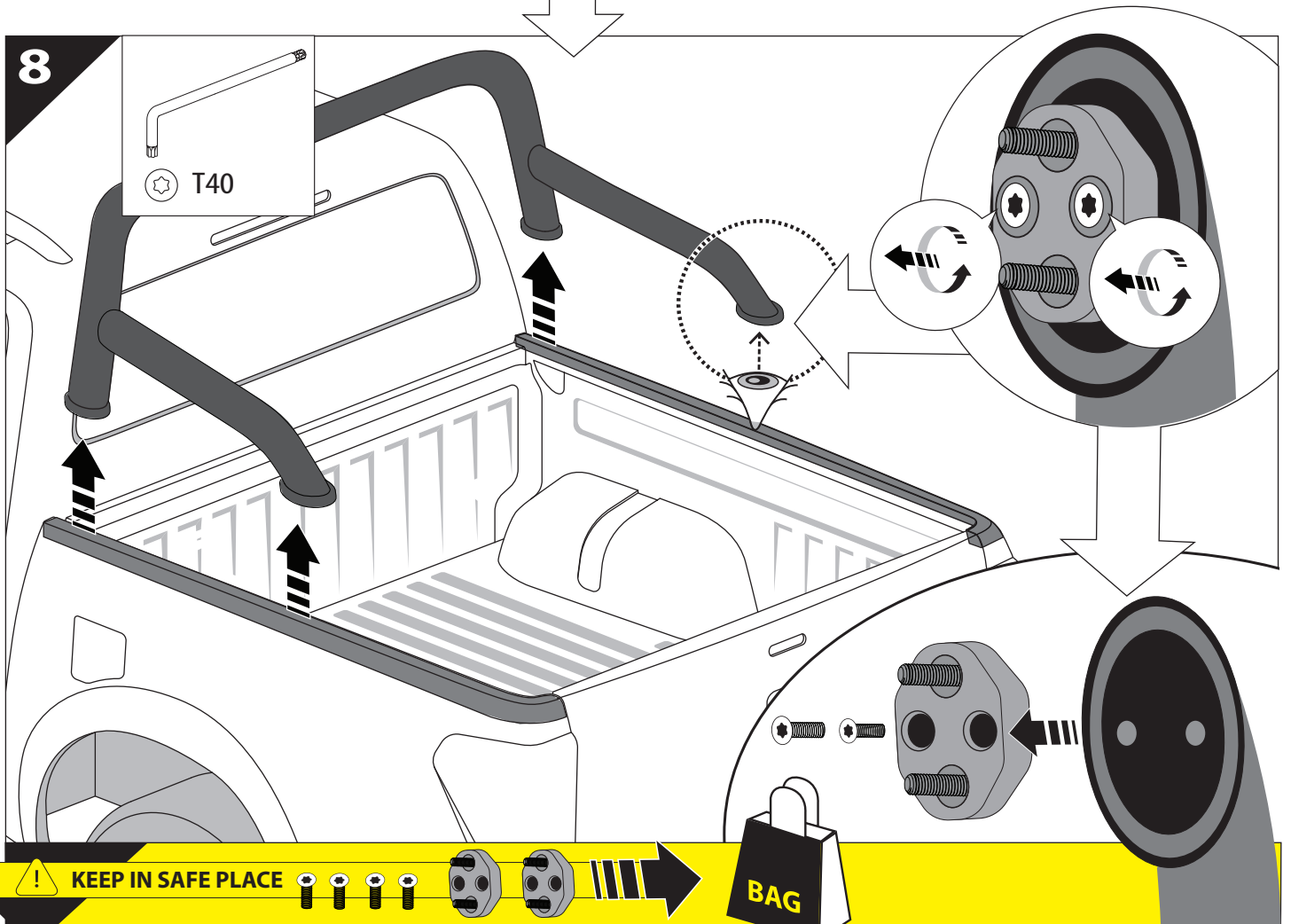
! USE IN STEP 13

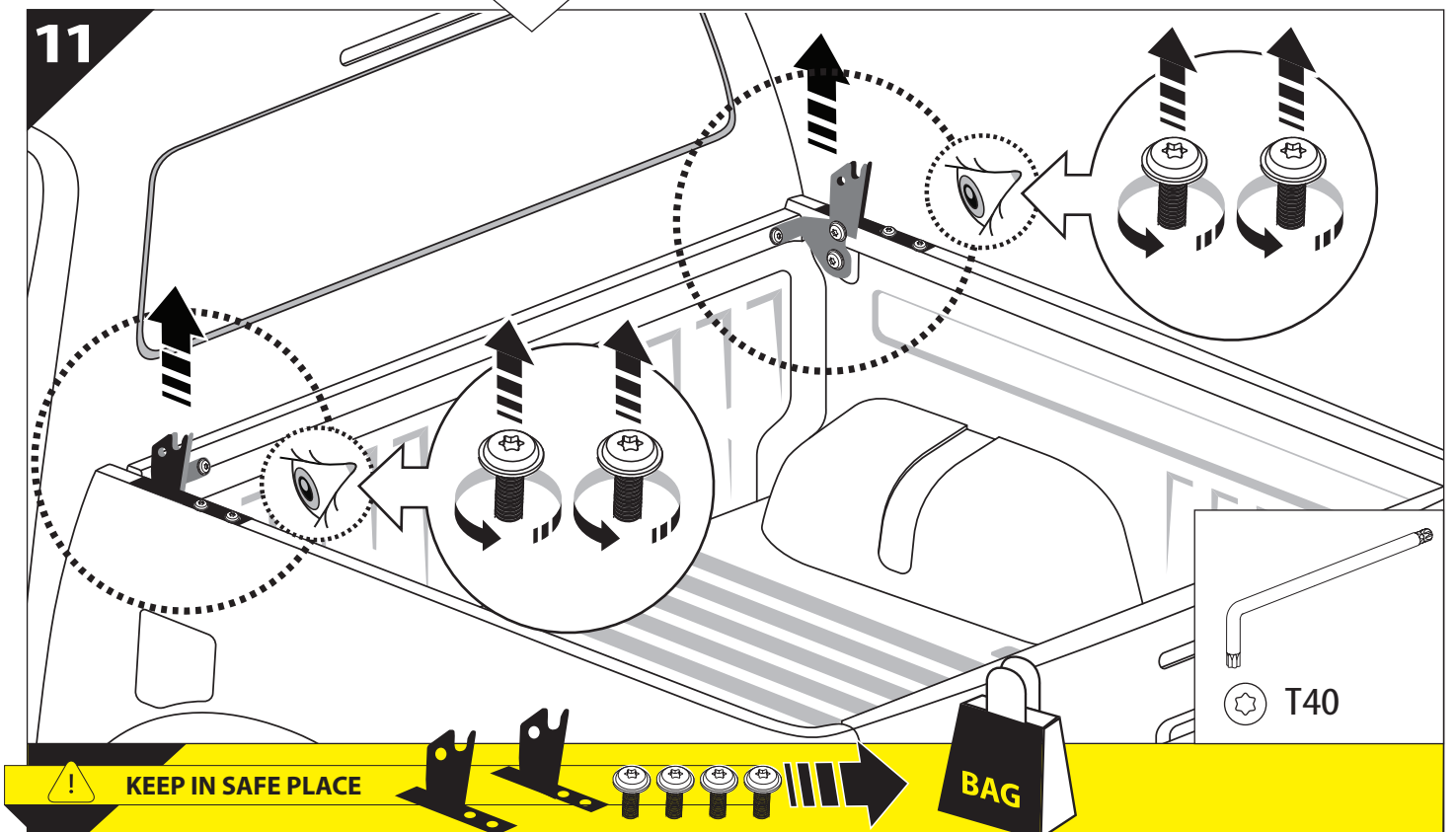
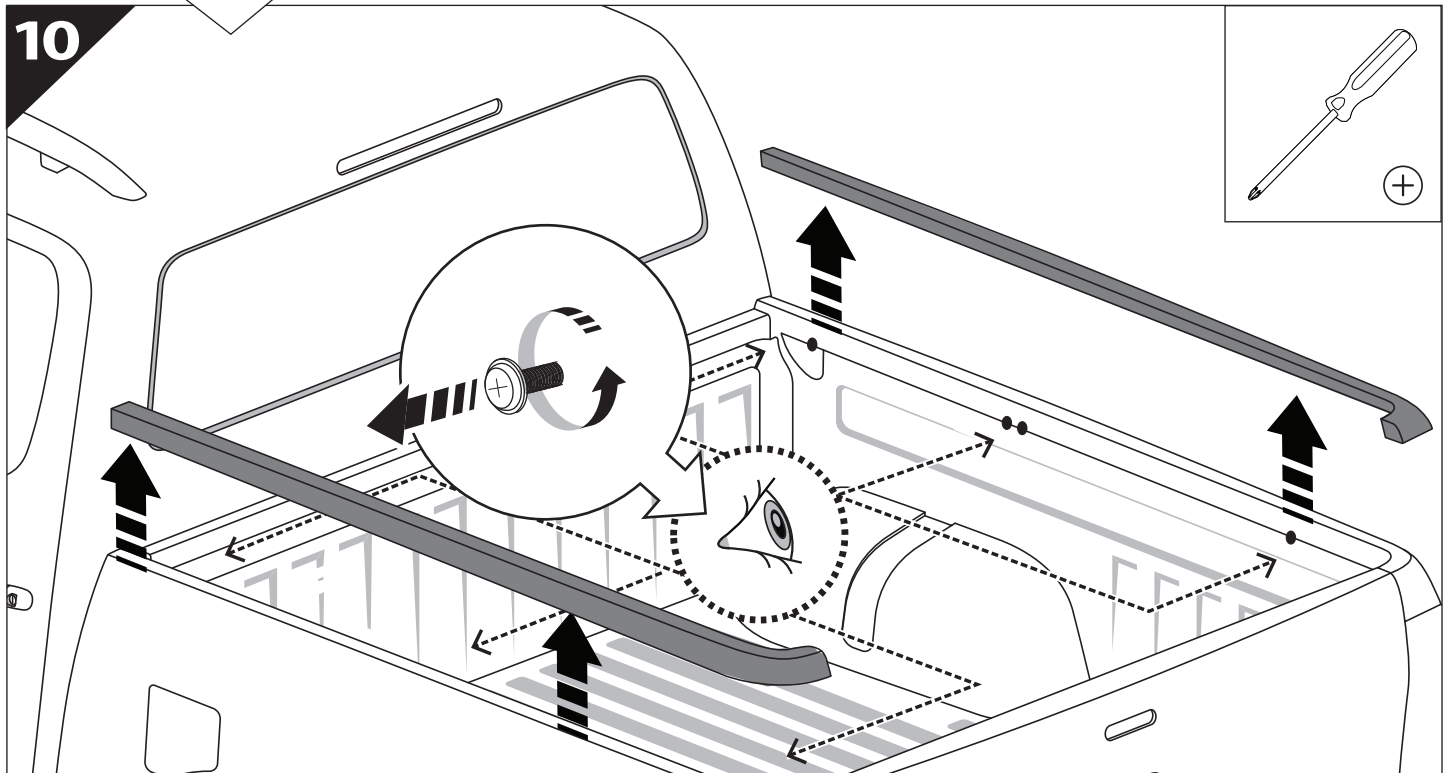
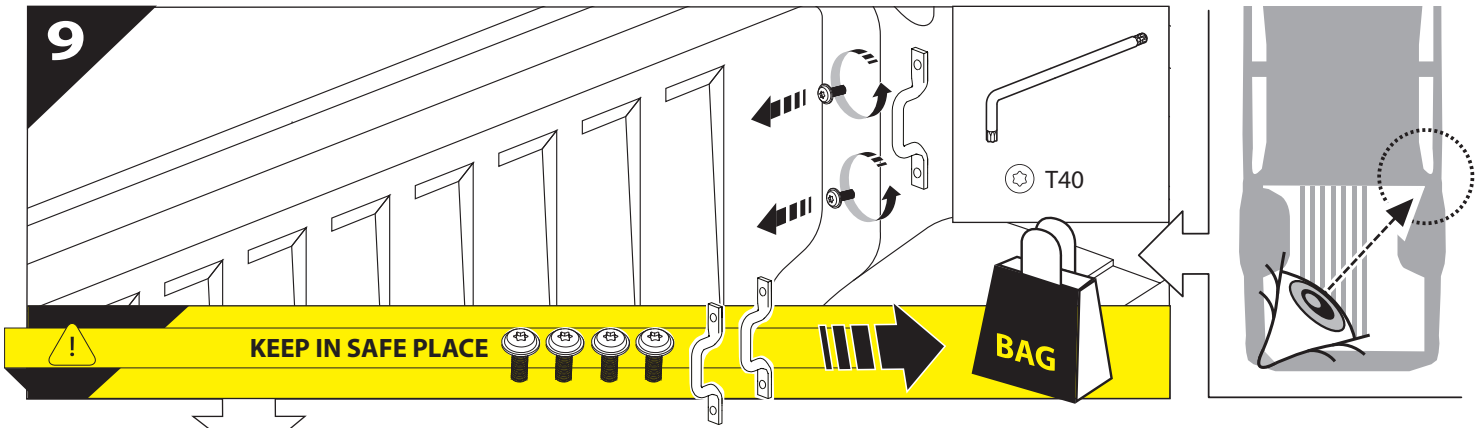


8

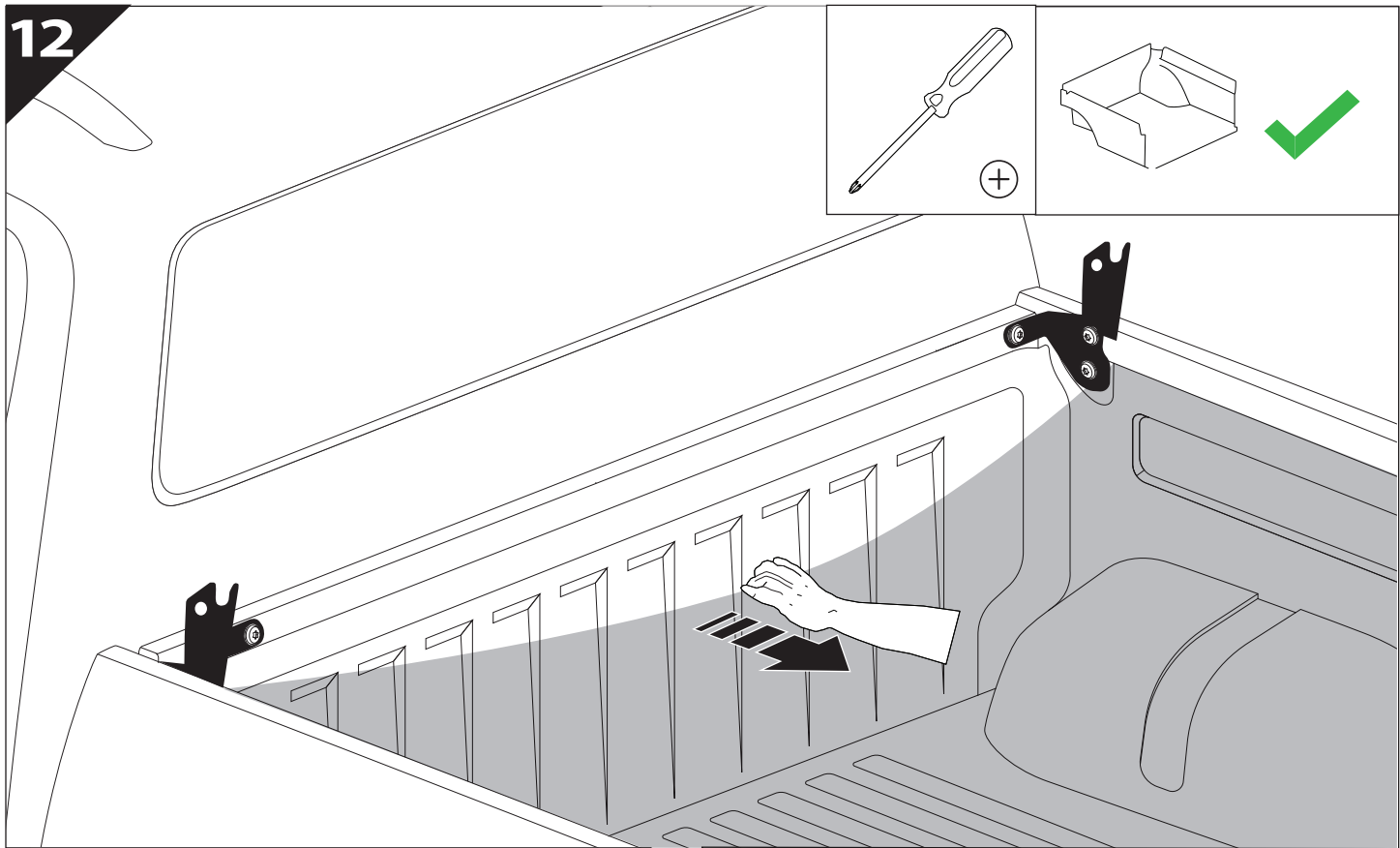


T40

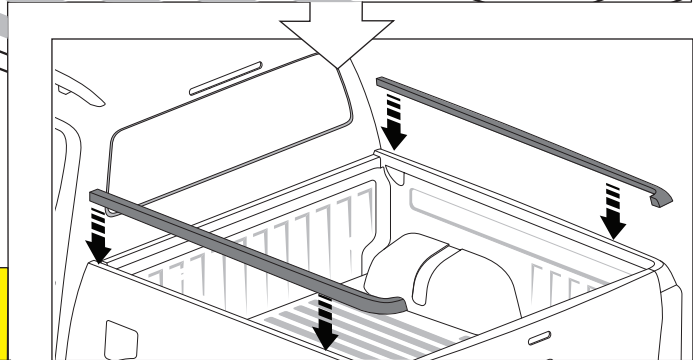
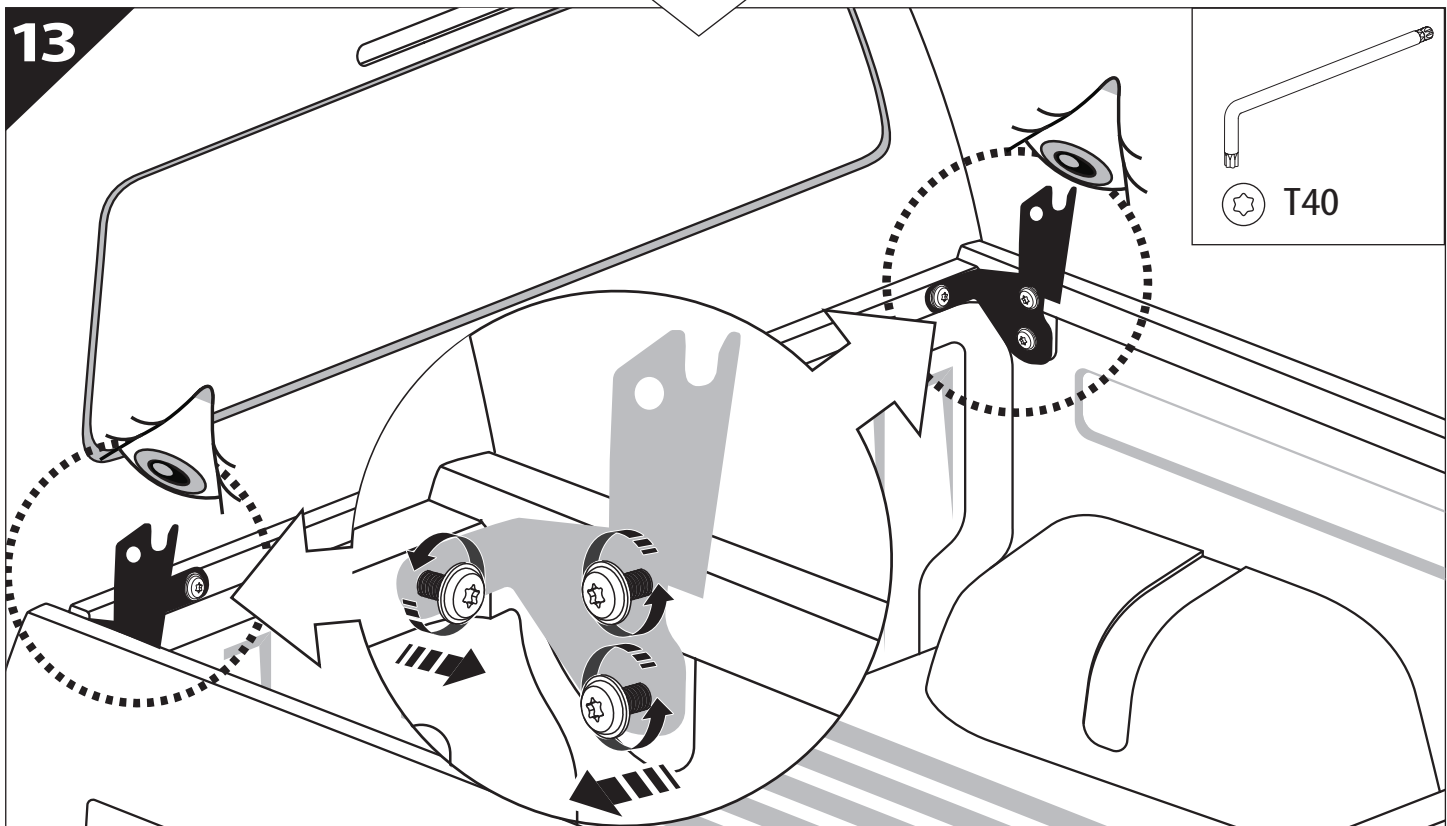




12



13



14

Q

M8x25 x8
M8 x4

x2

10 mm

13

Q

! FROM STEP 7

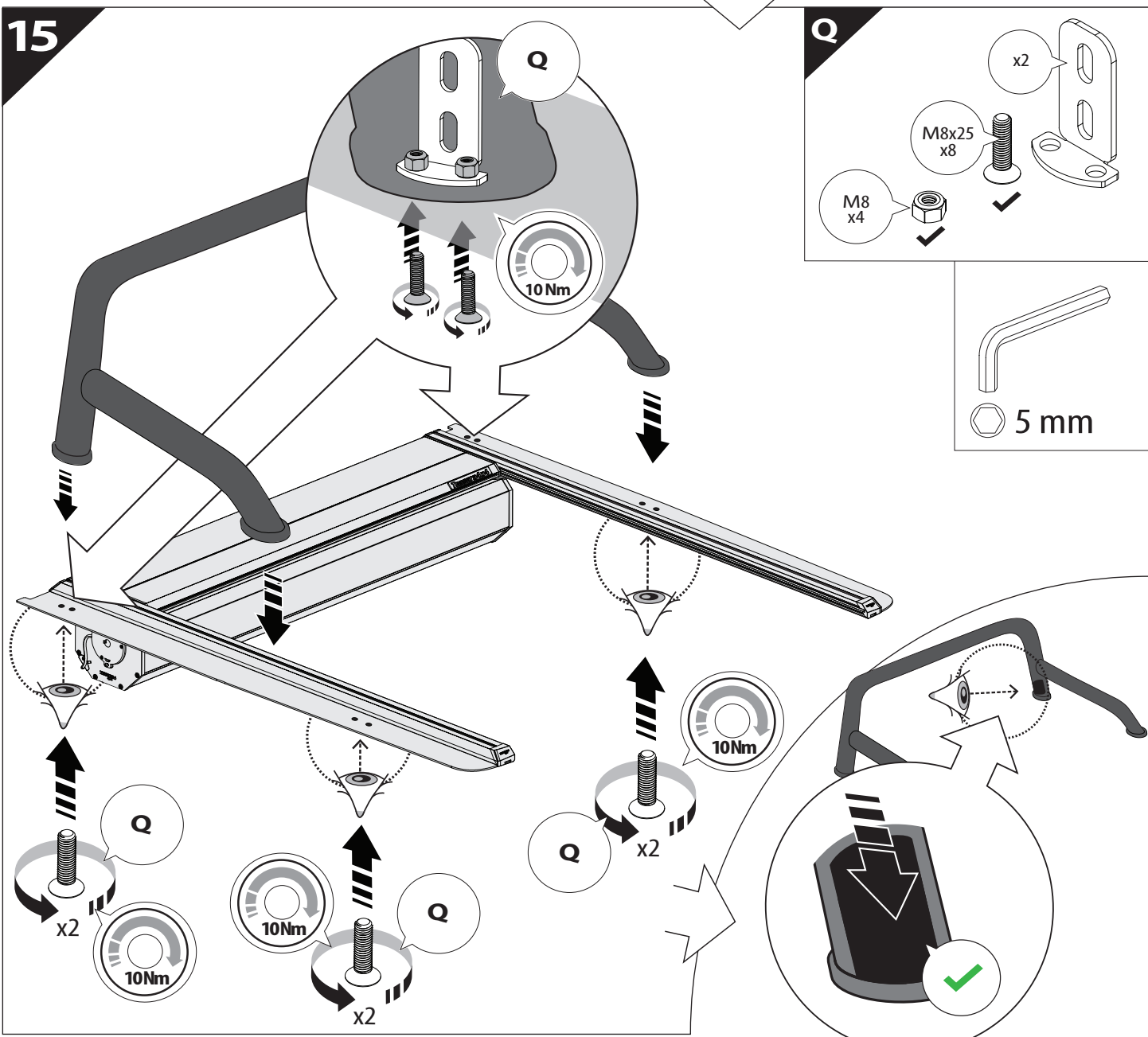
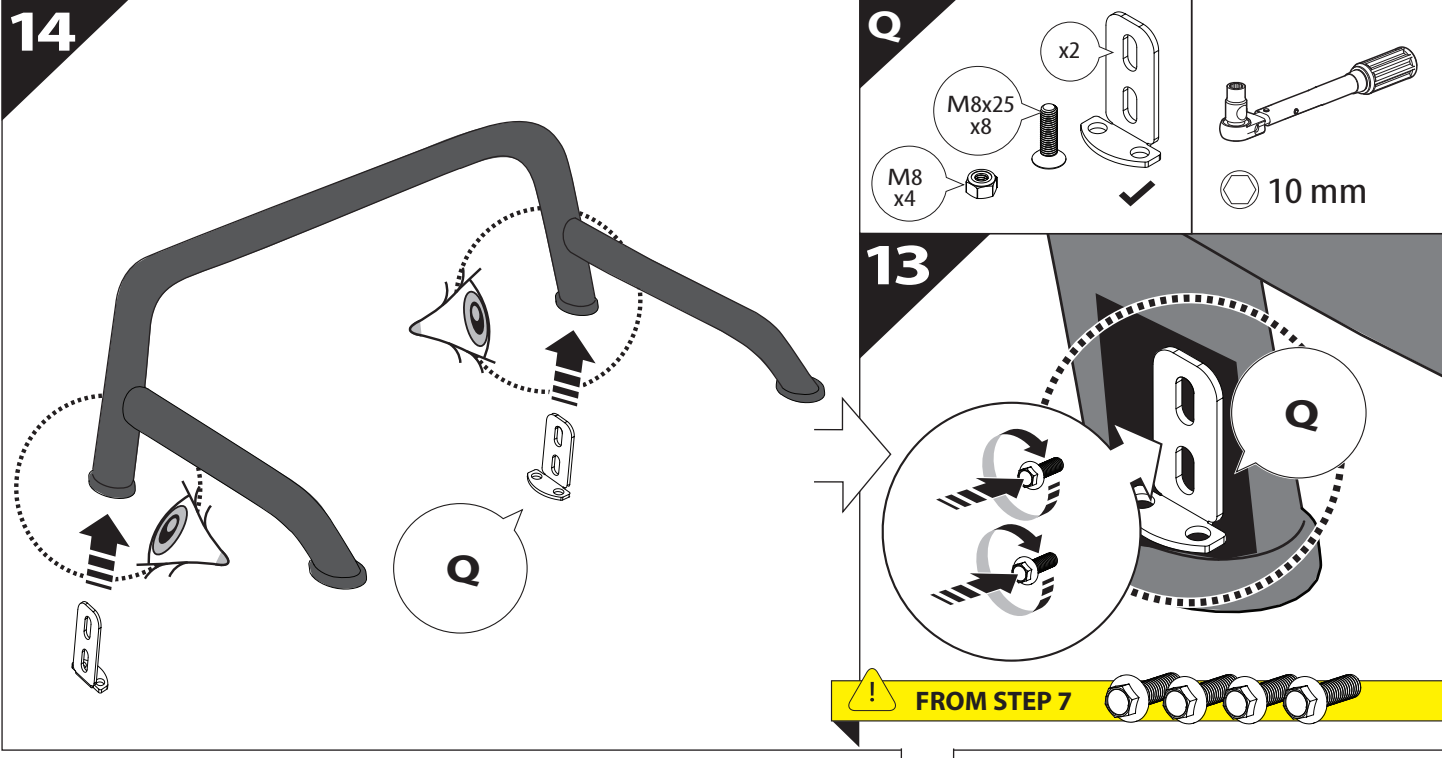
15

Q

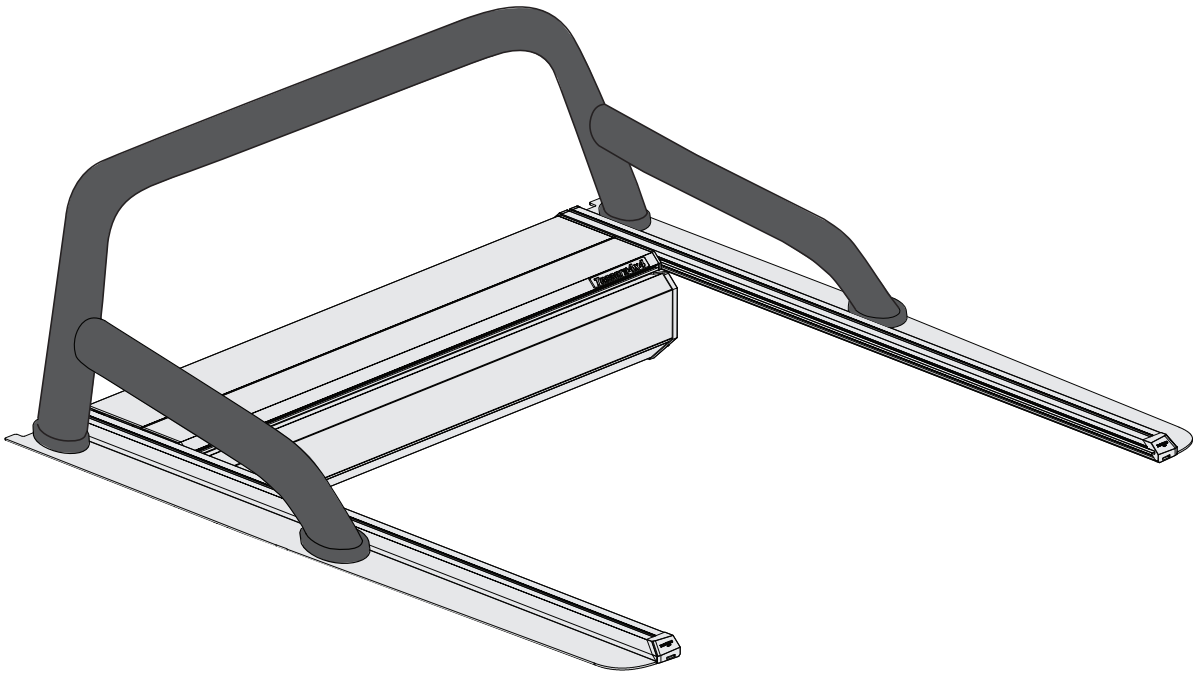
M8x25 x8
M8 x4

x2

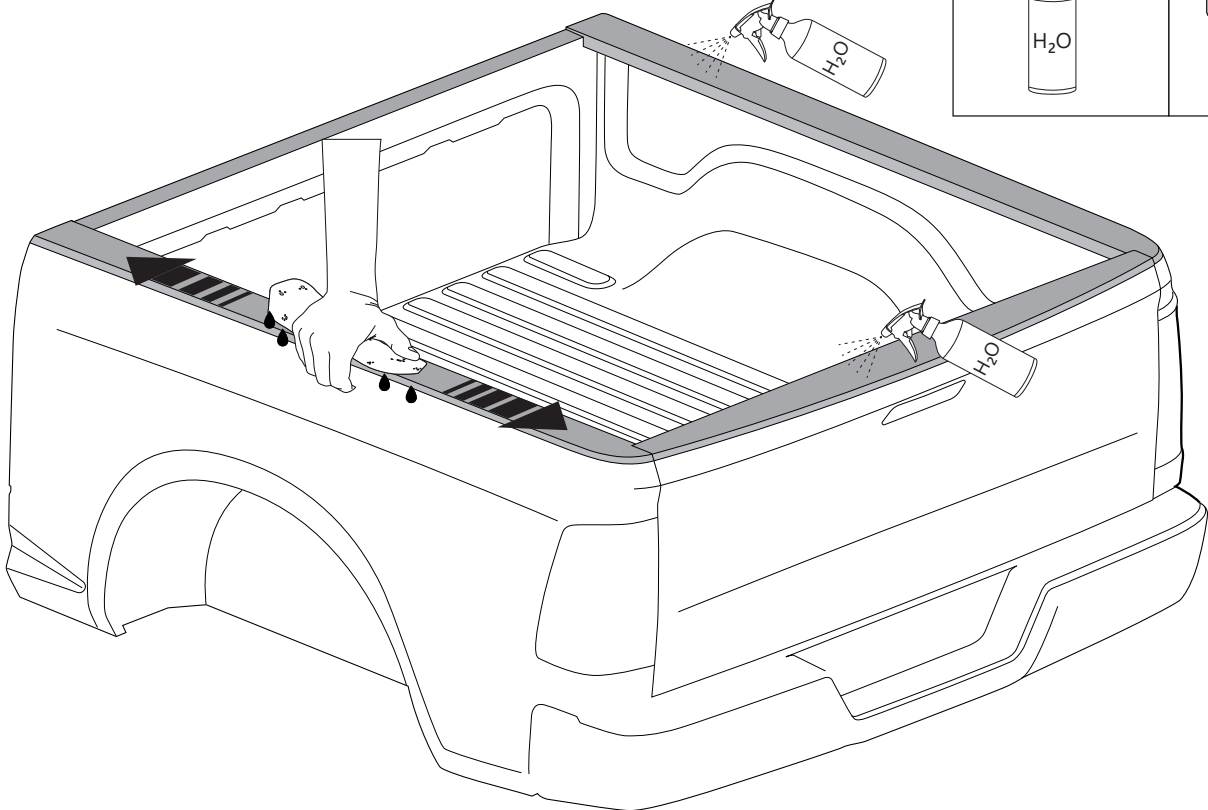
5 mm



15. ①



16



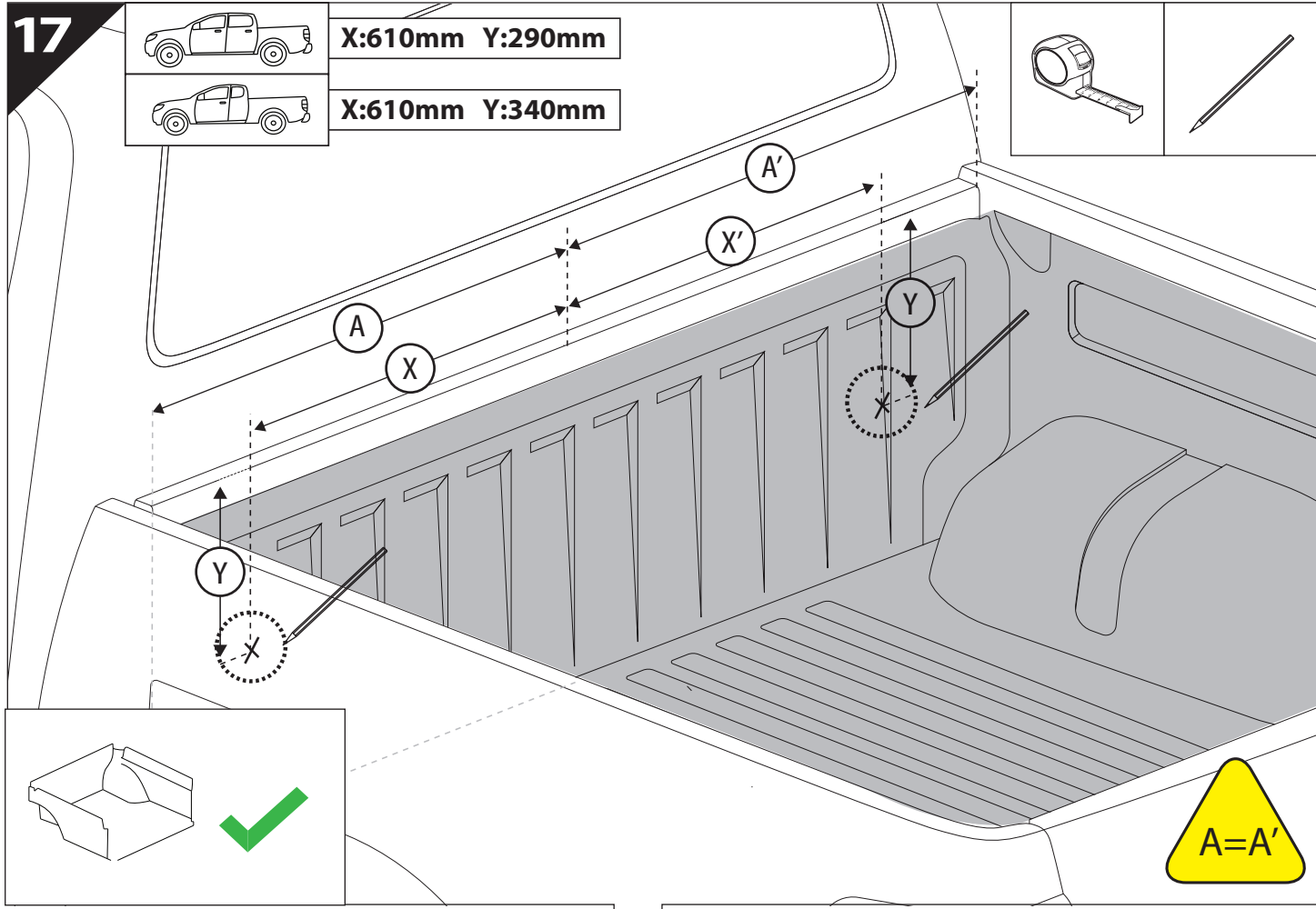
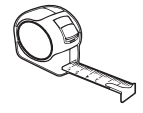
17



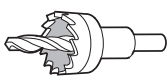
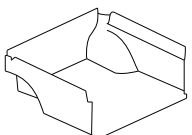
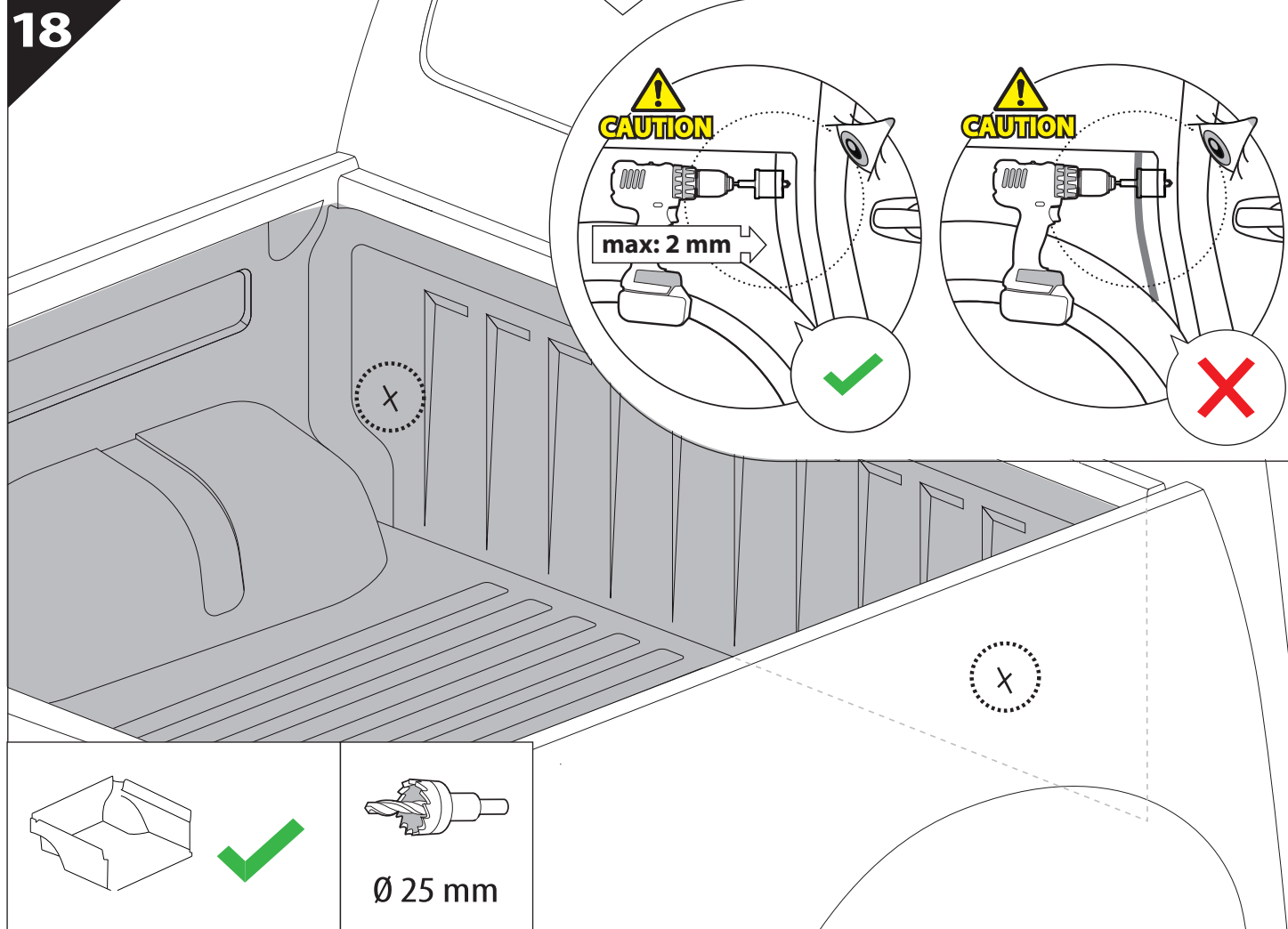
X:610mm Y:290mm



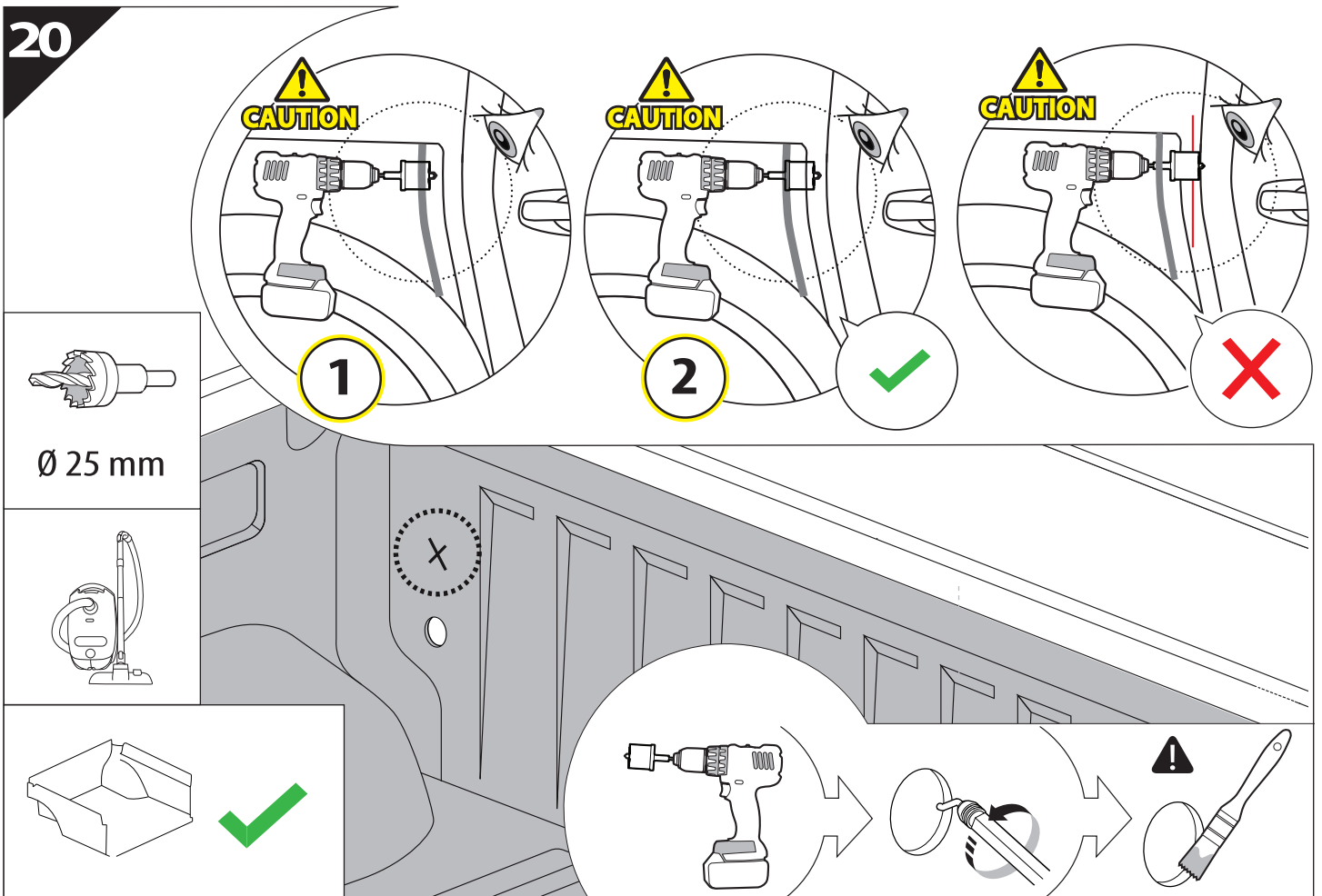
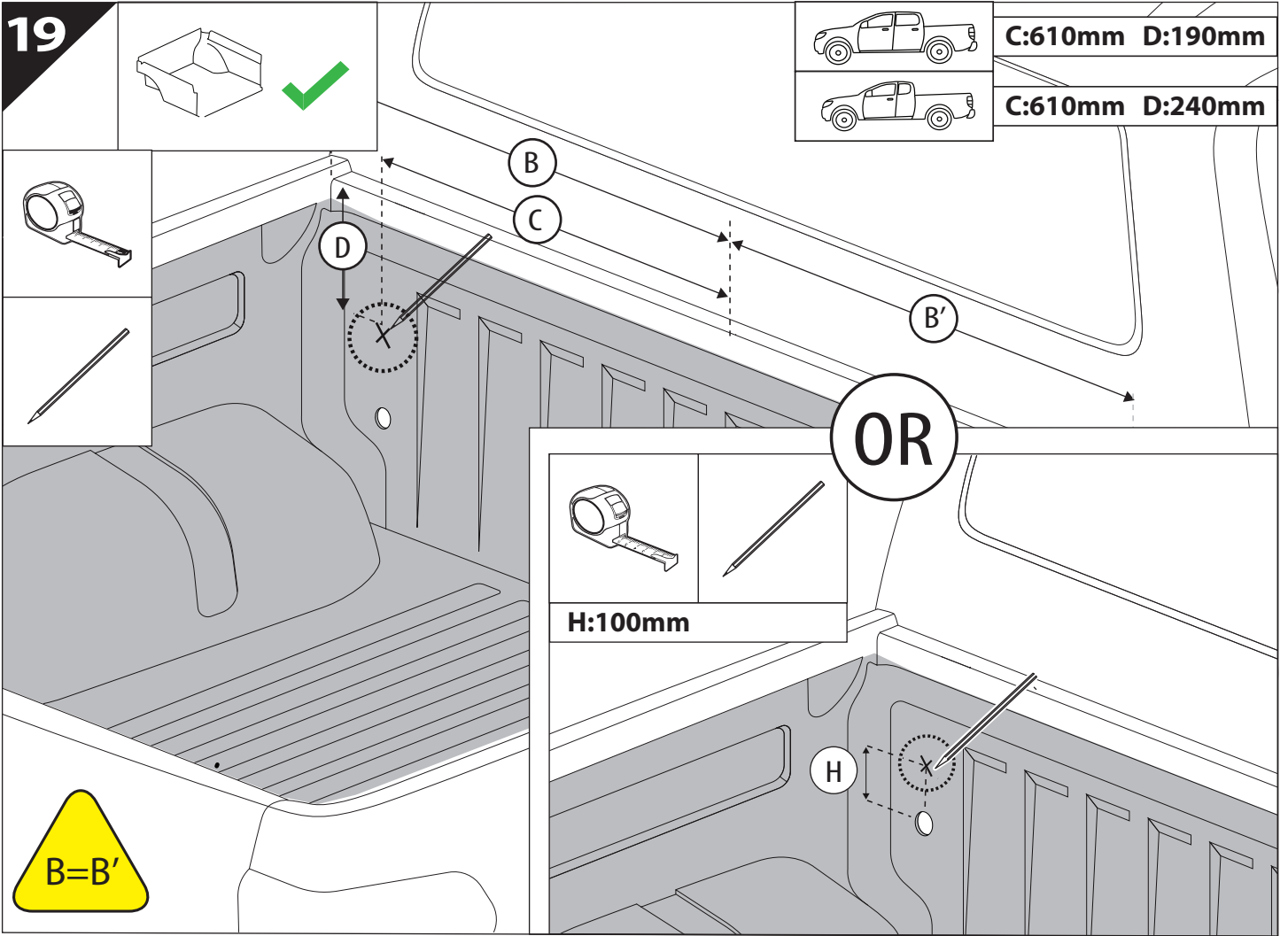
X:610mm Y:340mm

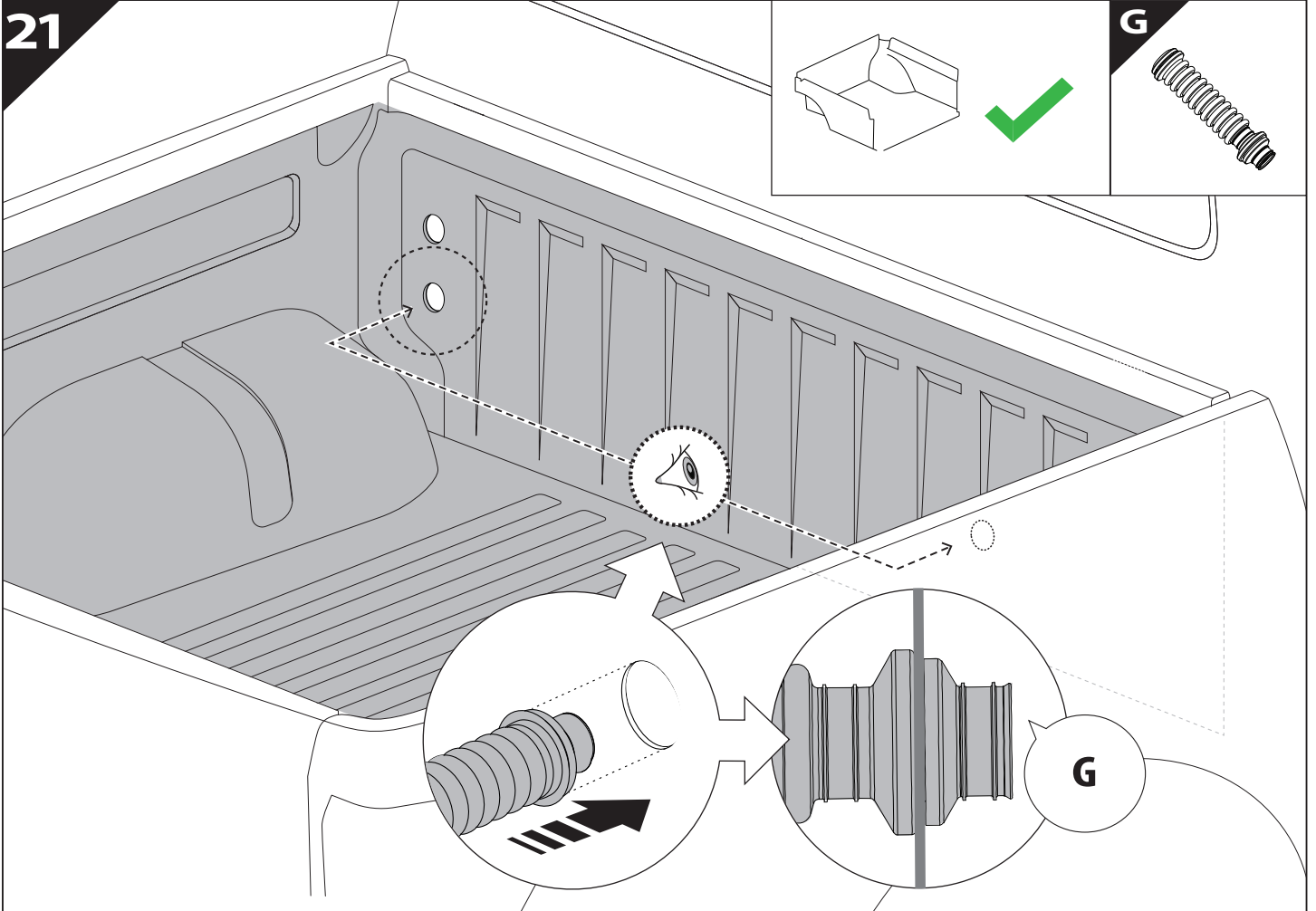


18

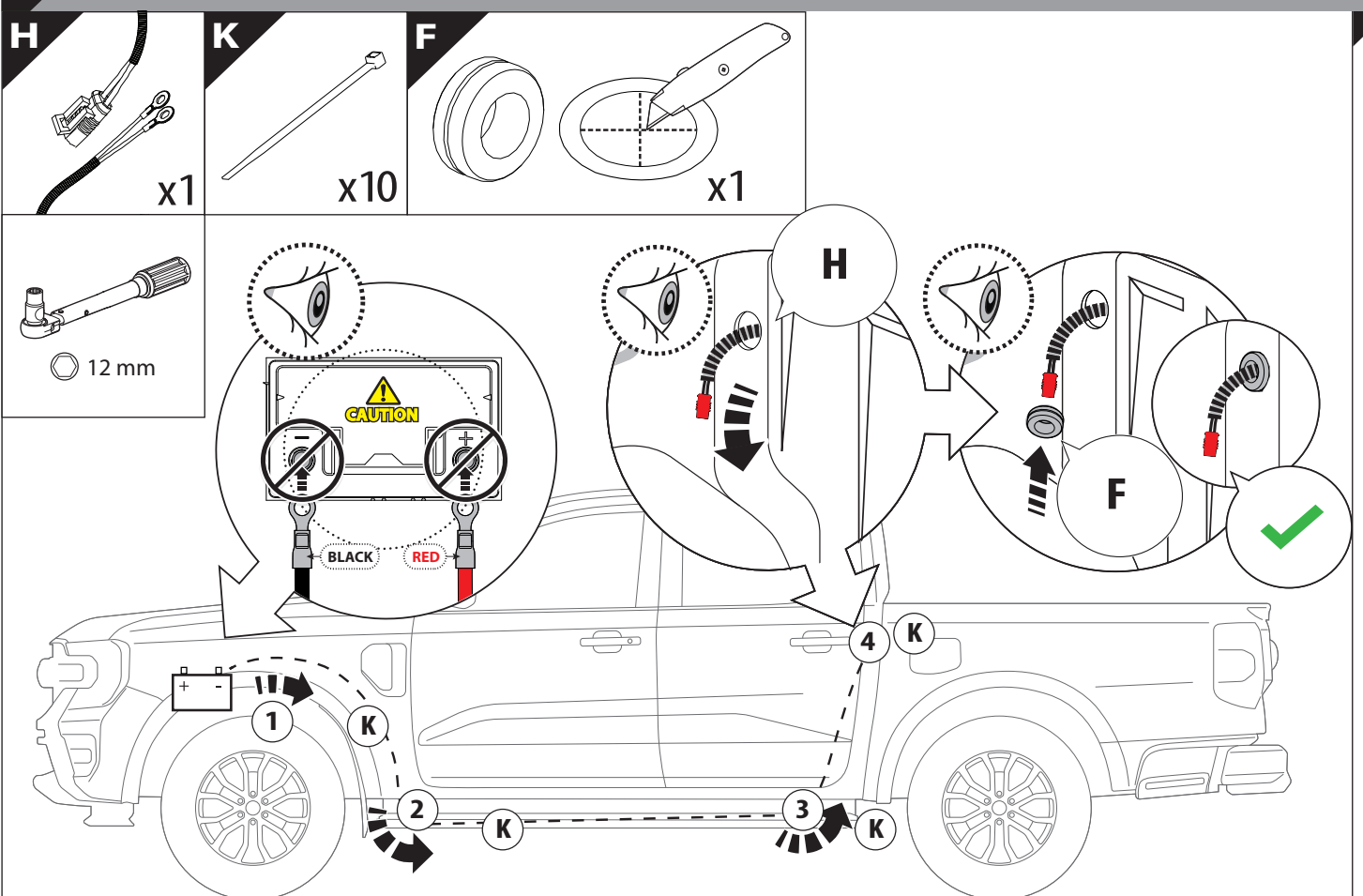


Ø 25 mm

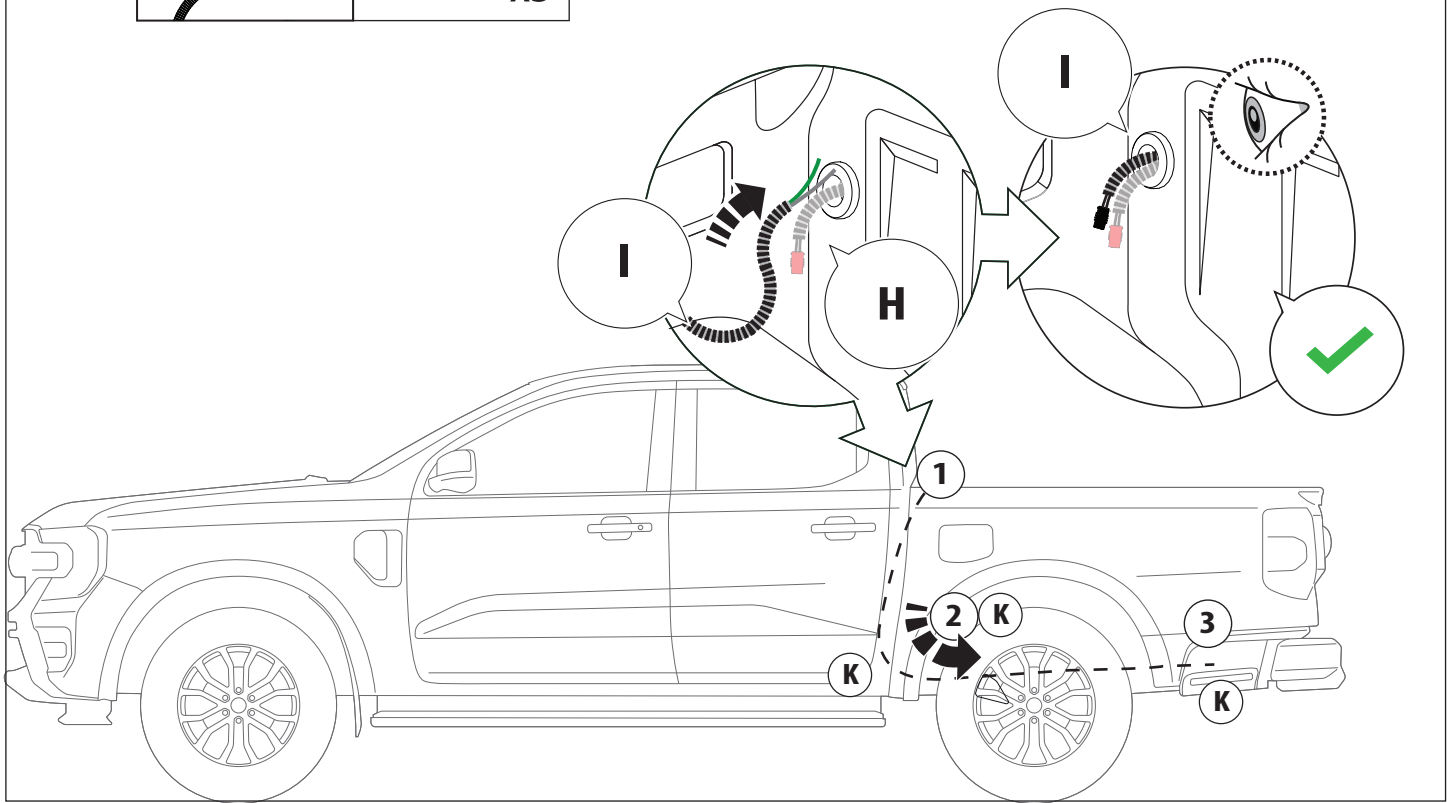
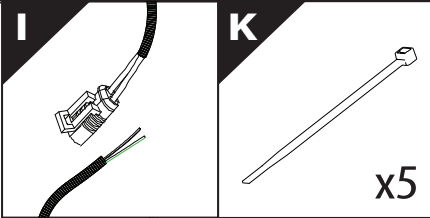




22 Only to be installed by authorized personnel



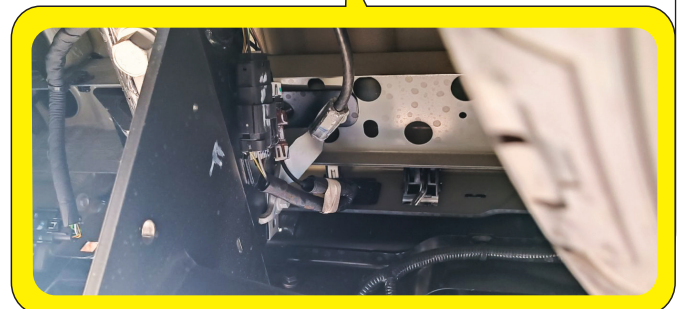
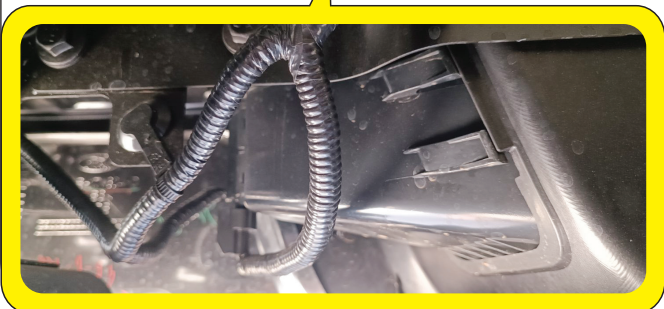
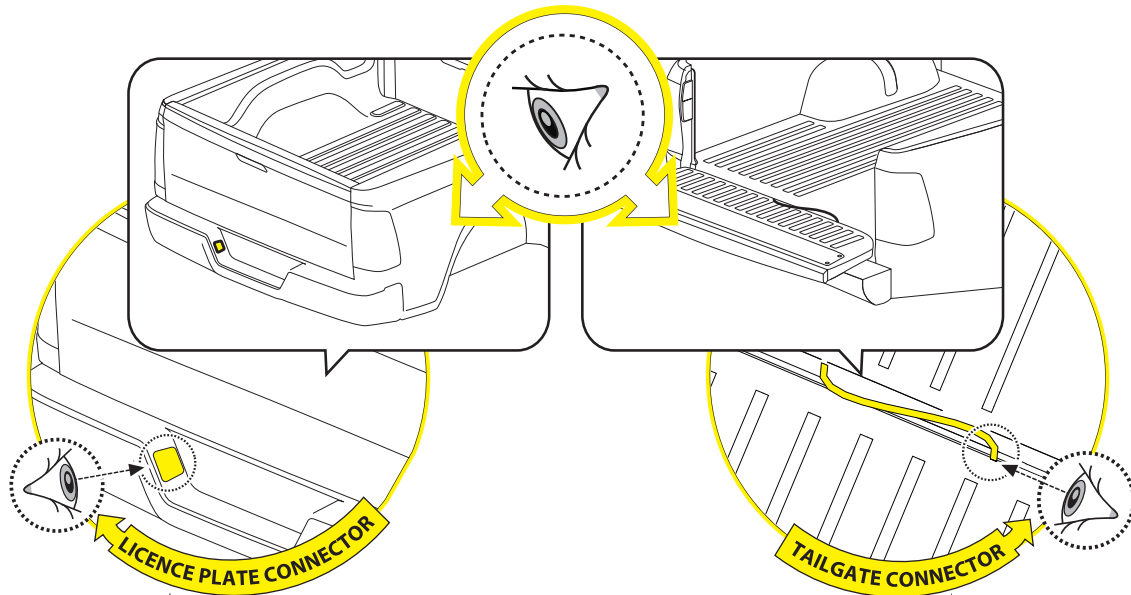
23



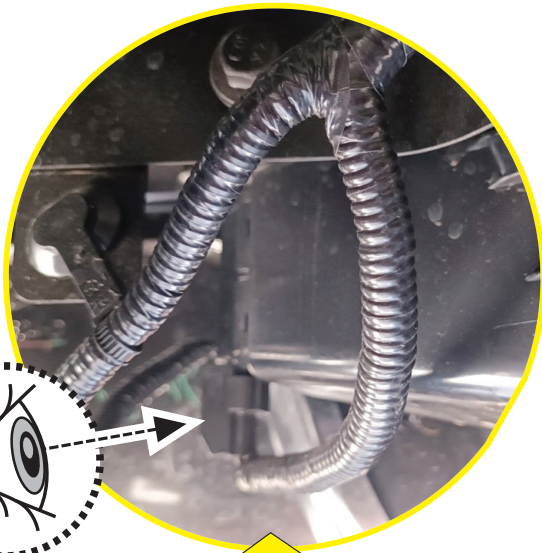
24



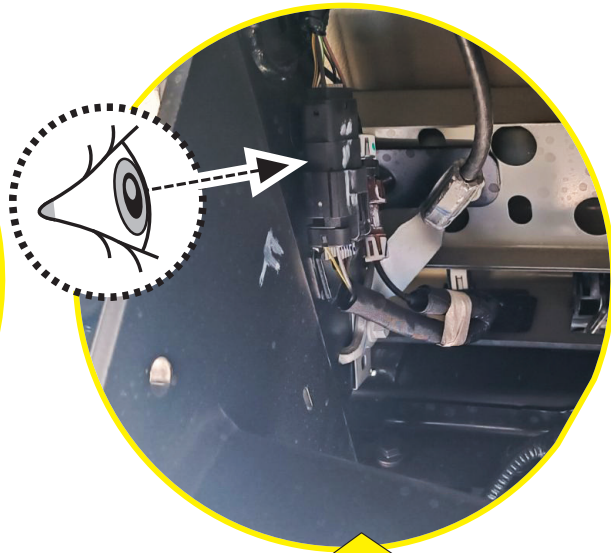
CAUTION: LIMITED, WILDTRAK, WILDTRAK X, PLATINUM



24.1



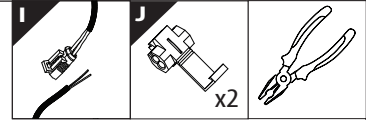
LICENCE PLATE CONNECTOR



TAILGATE CONNECTOR

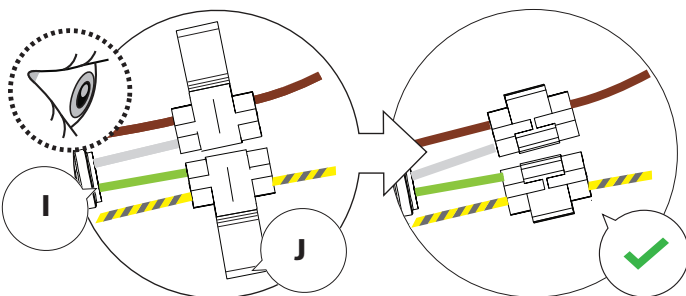
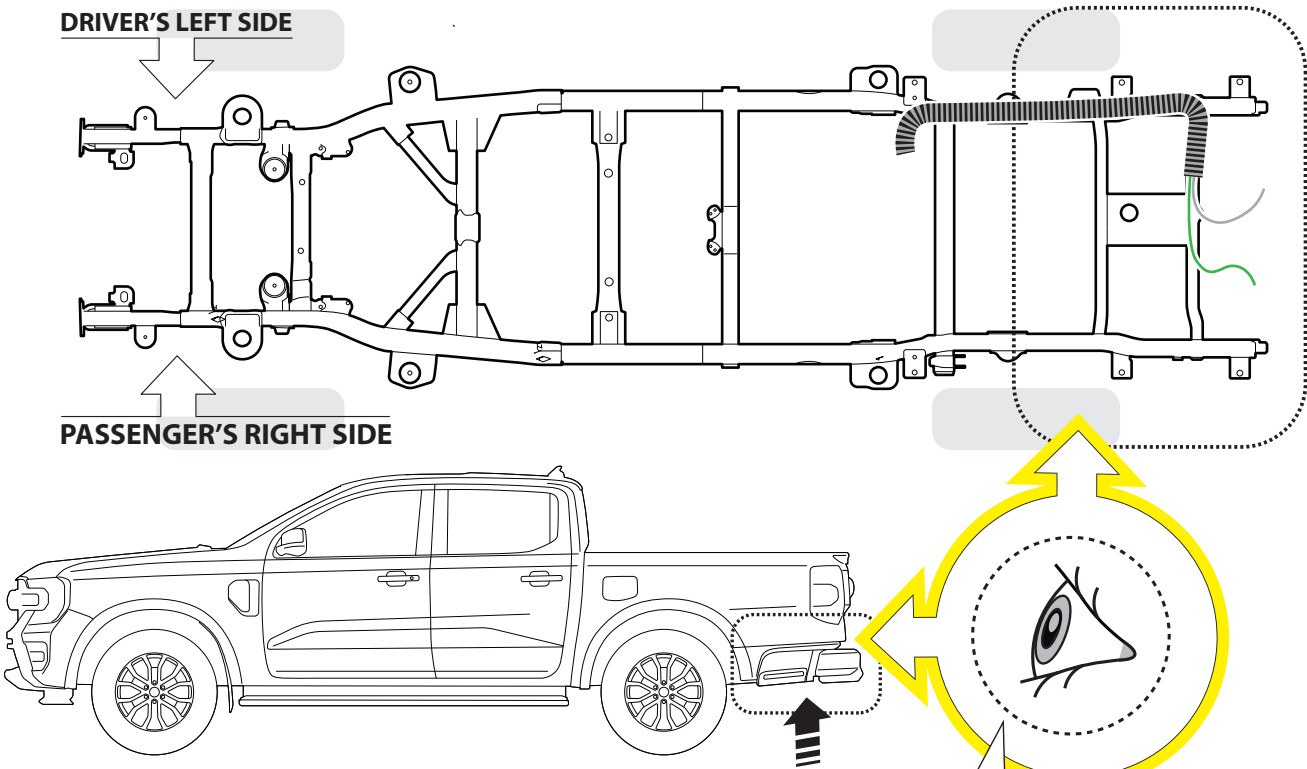
24.2

BOTTOM VIEW



DRIVER'S LEFT SIDE

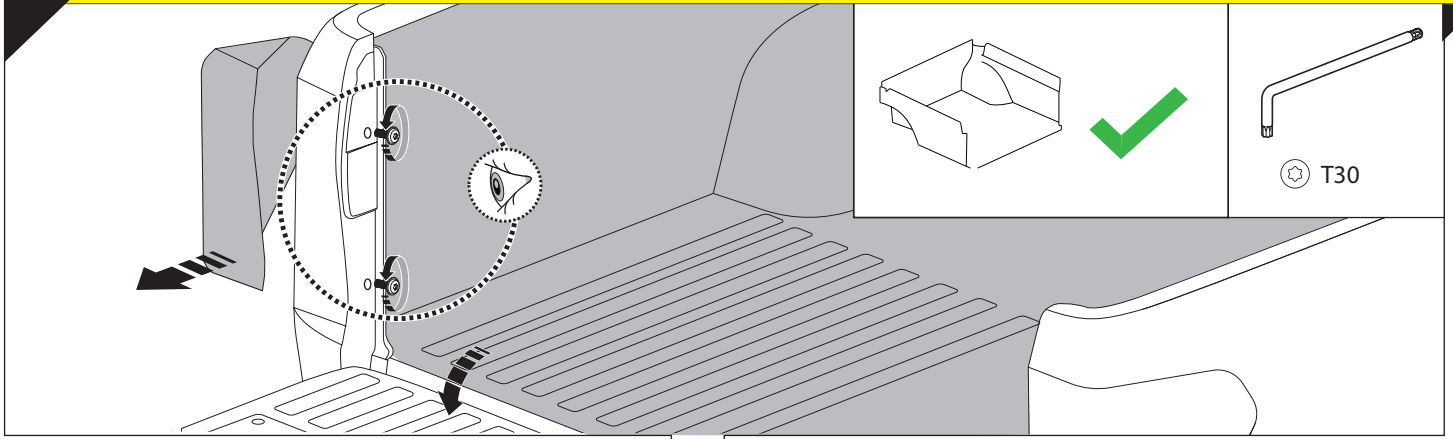
PASSENGER'S RIGHT SIDE



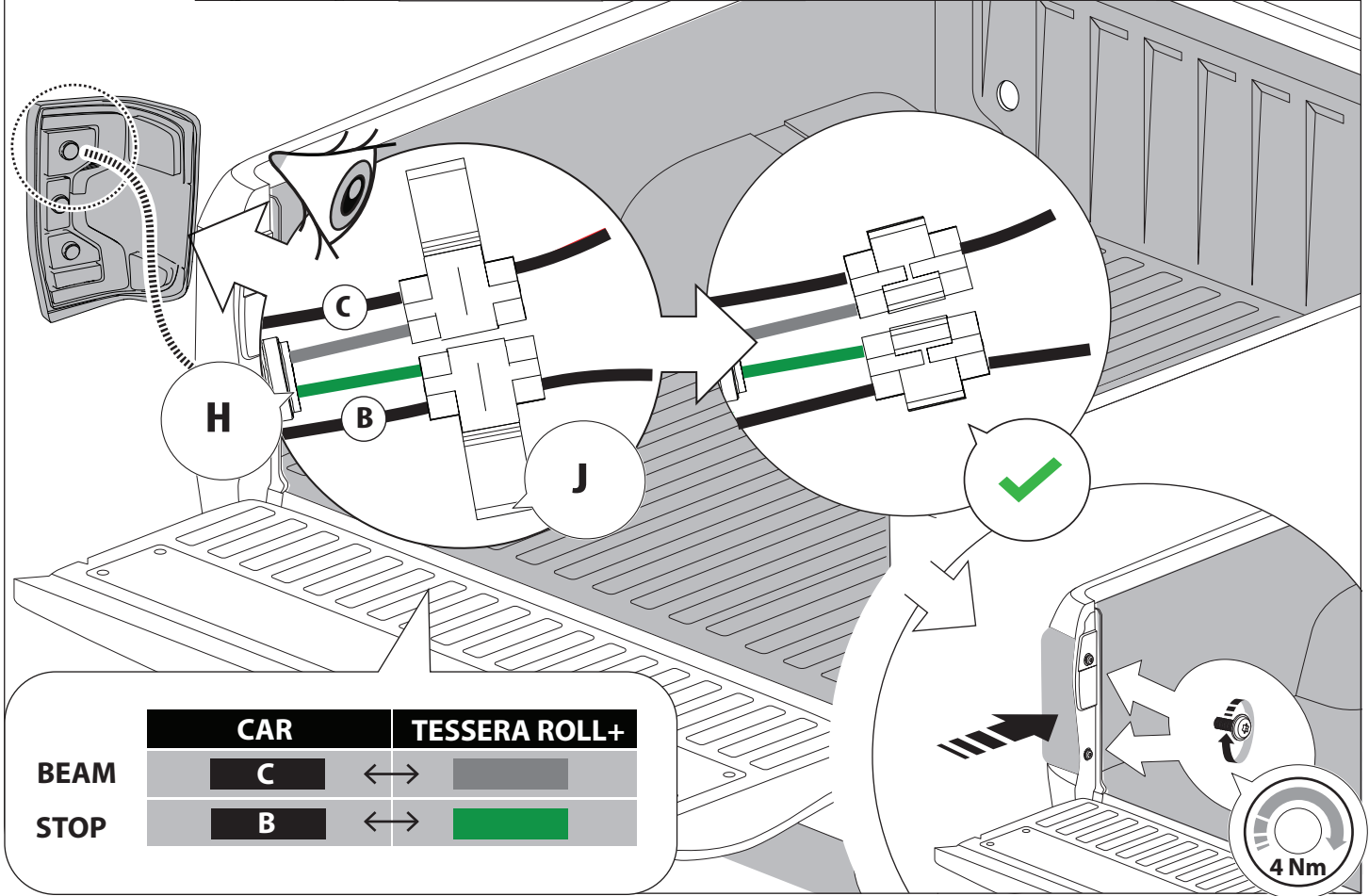
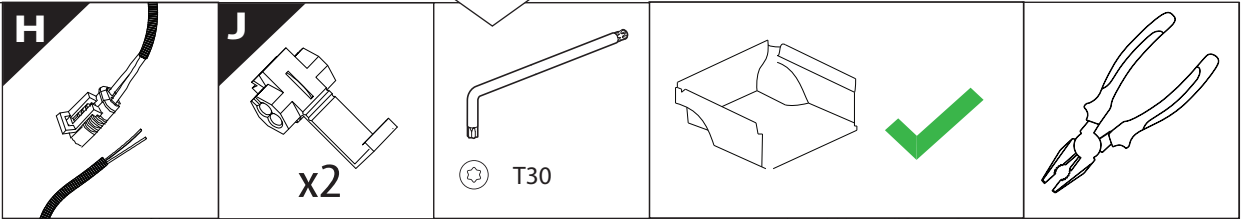
25



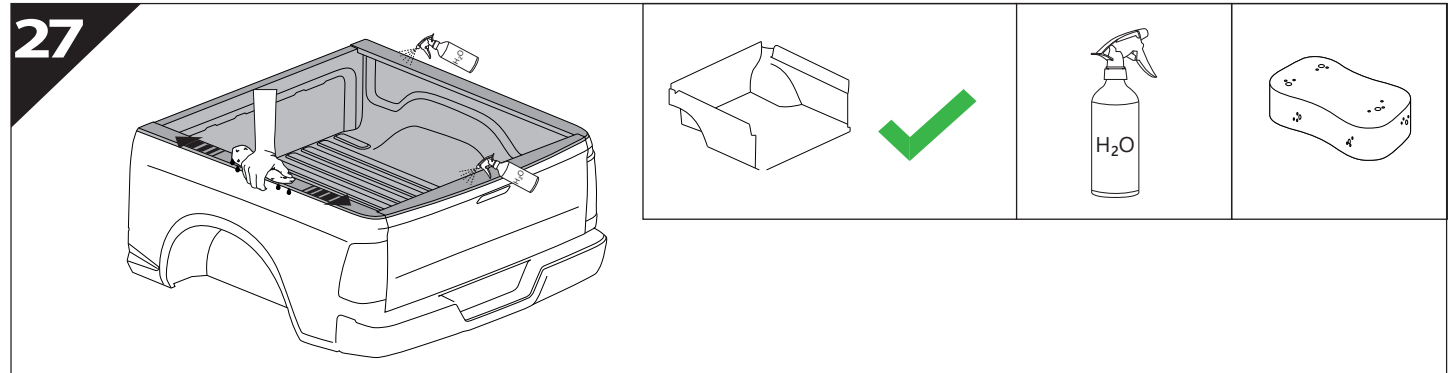
CAUTION: XL, XLT, TREMOR

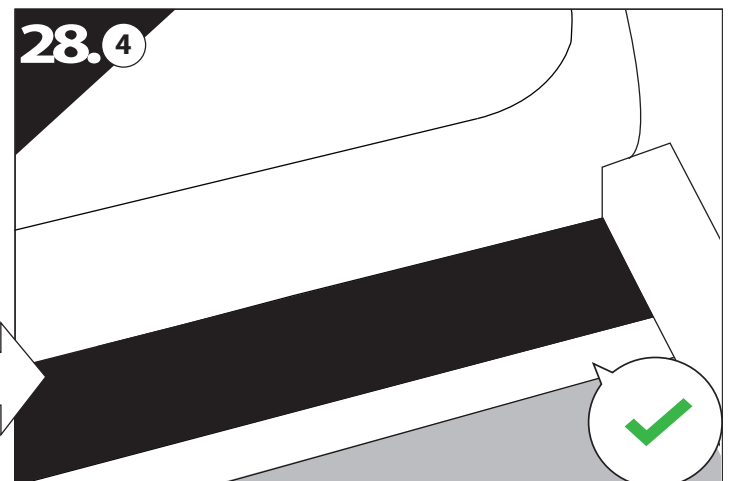
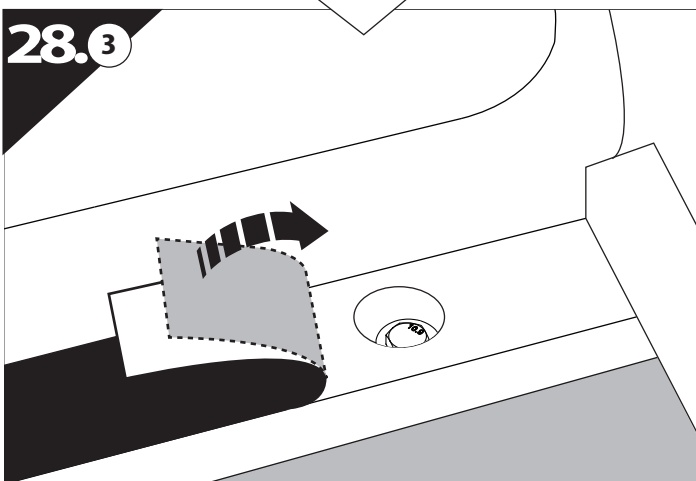
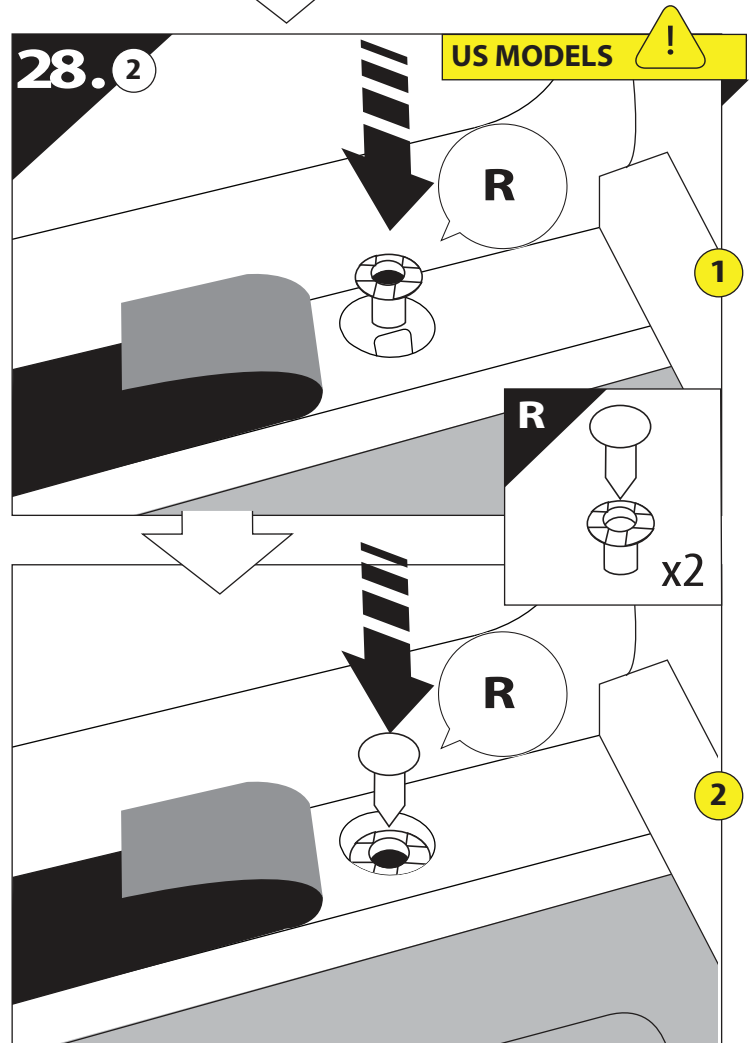
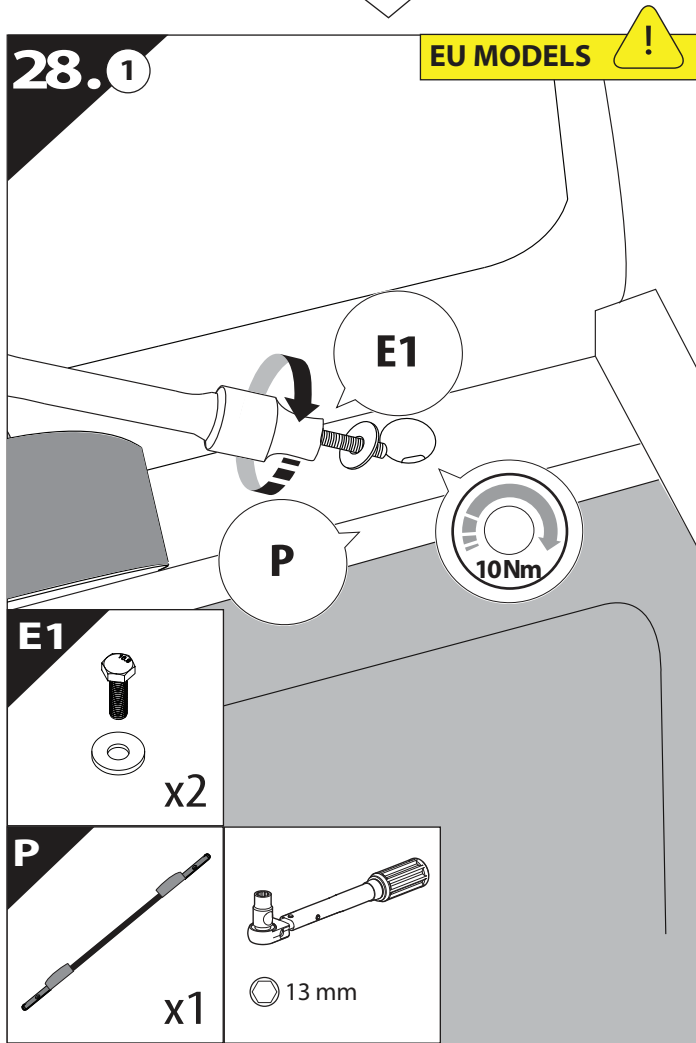
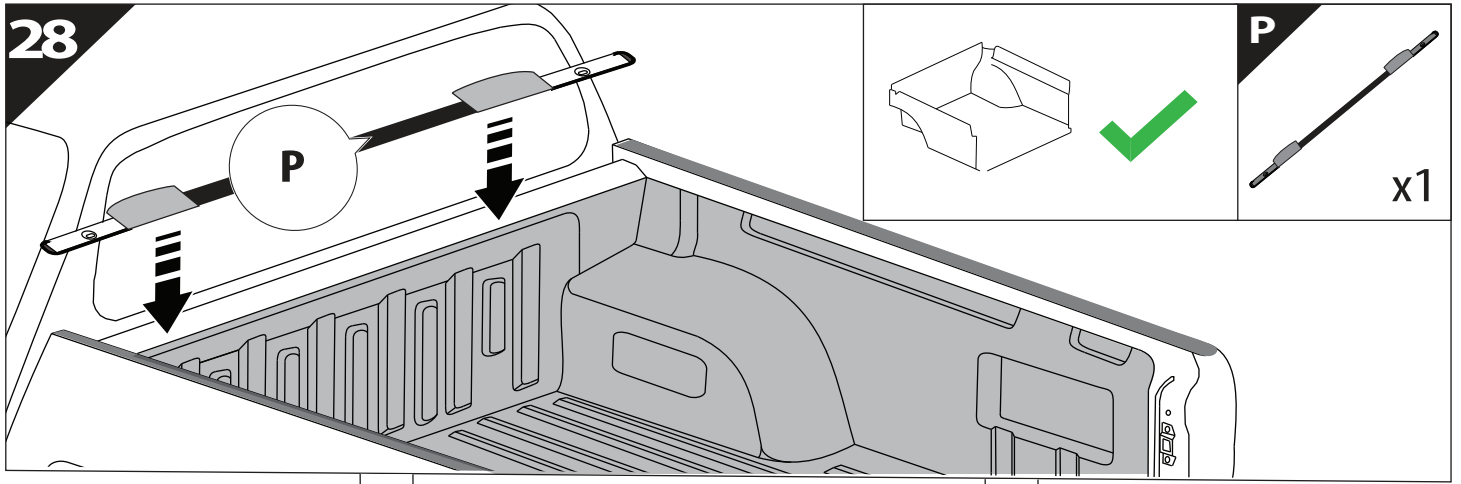


26



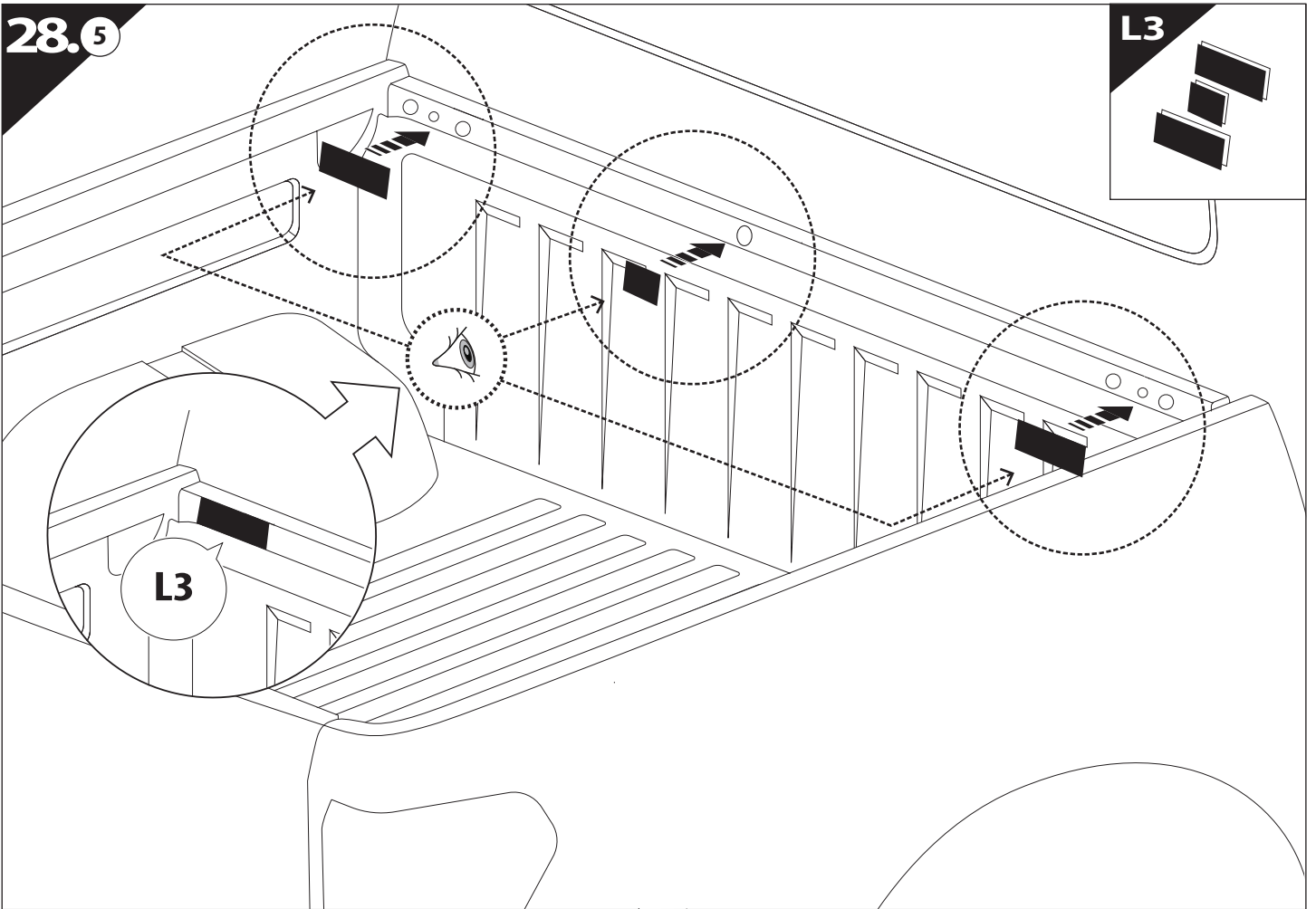
27





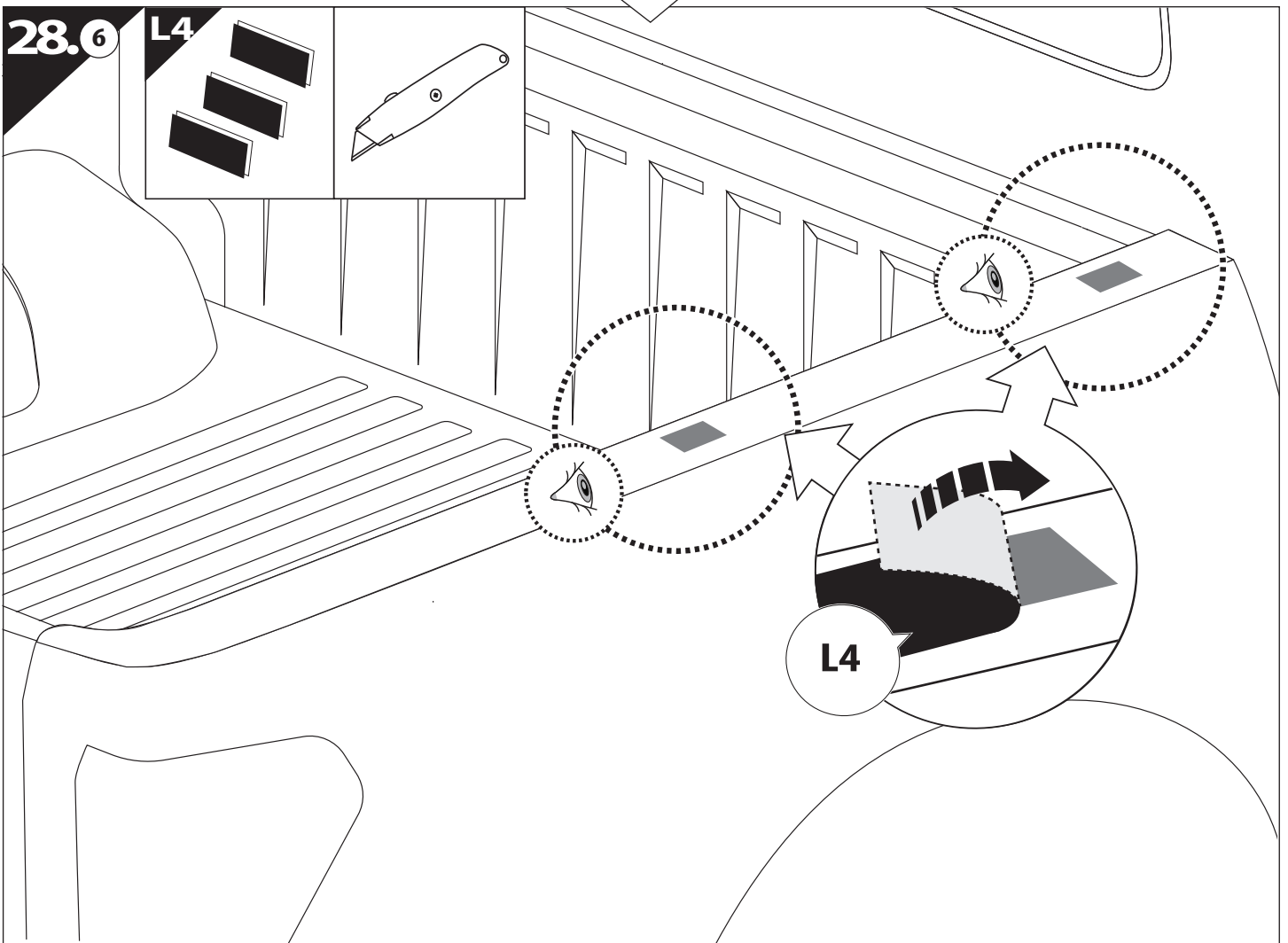
28.5

L3



28.6

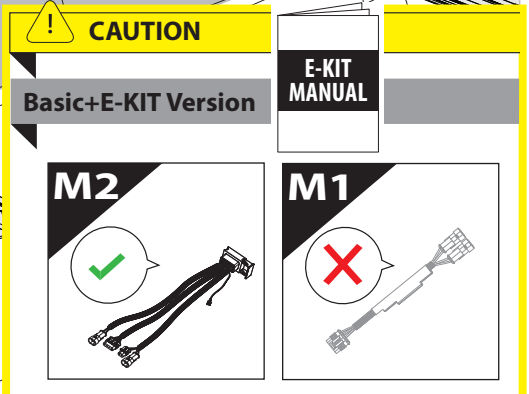
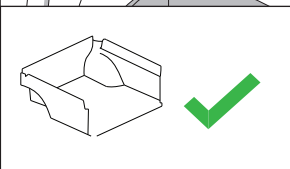
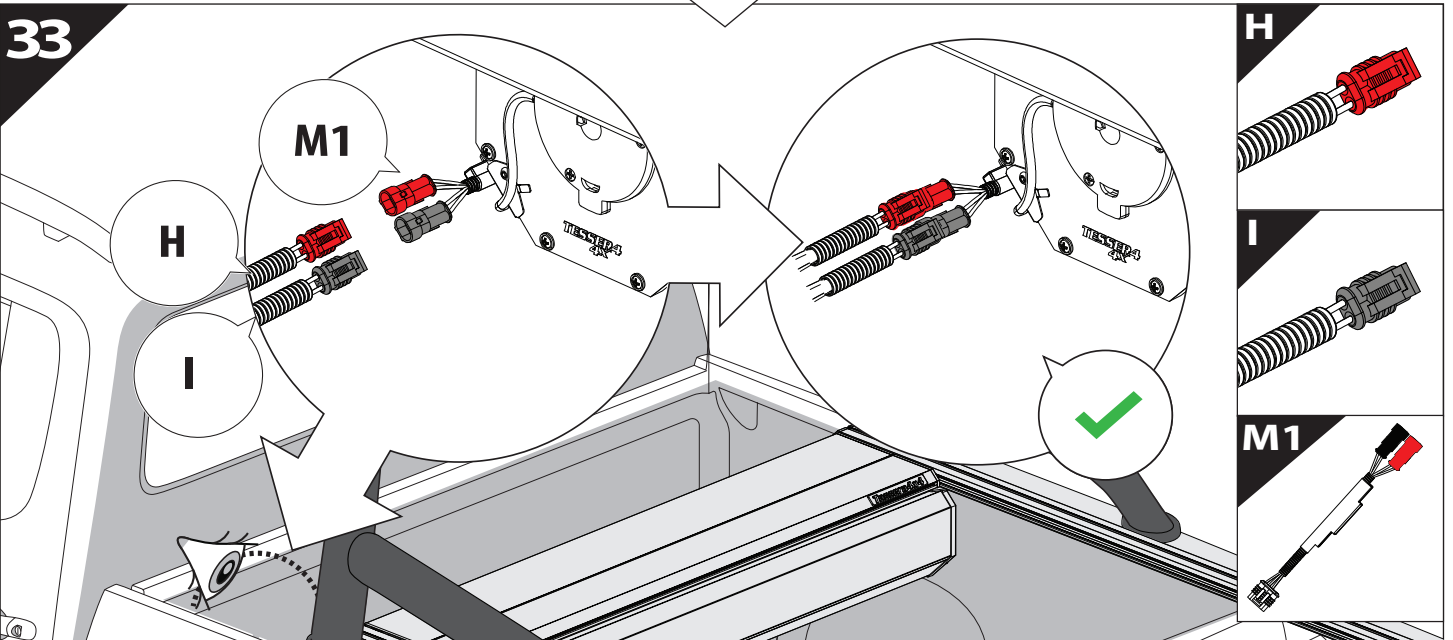
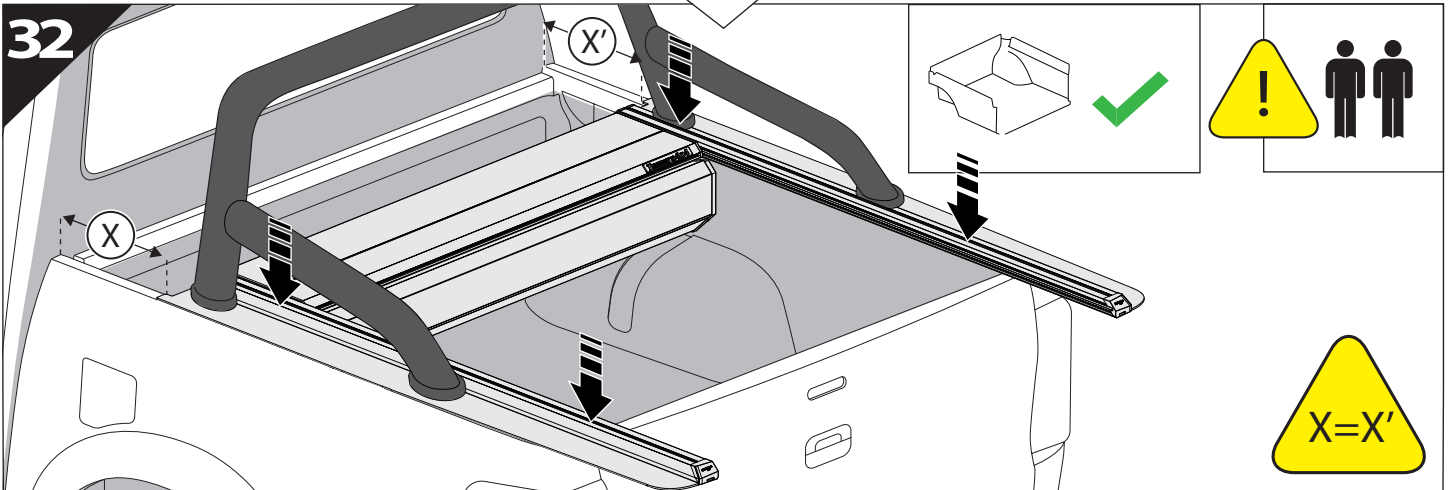
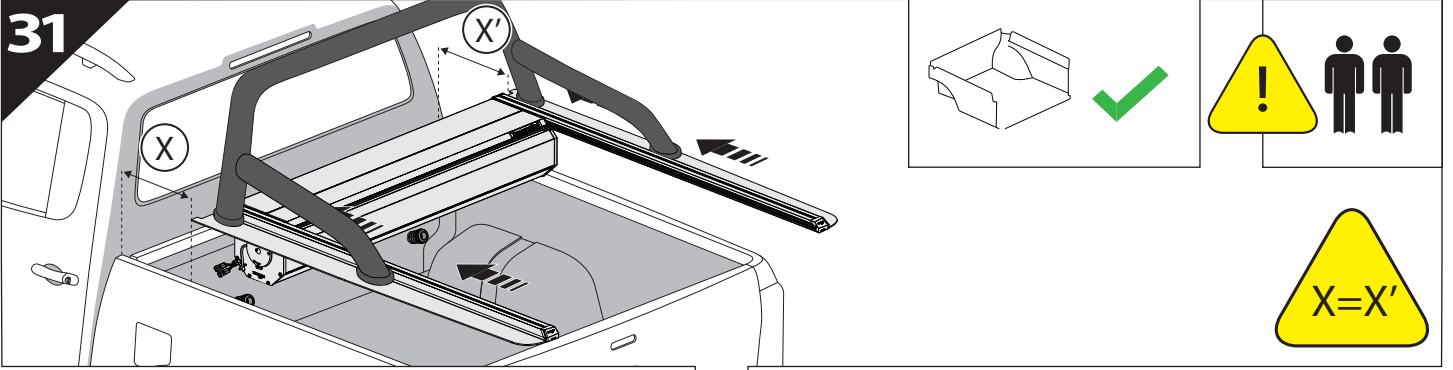
L4



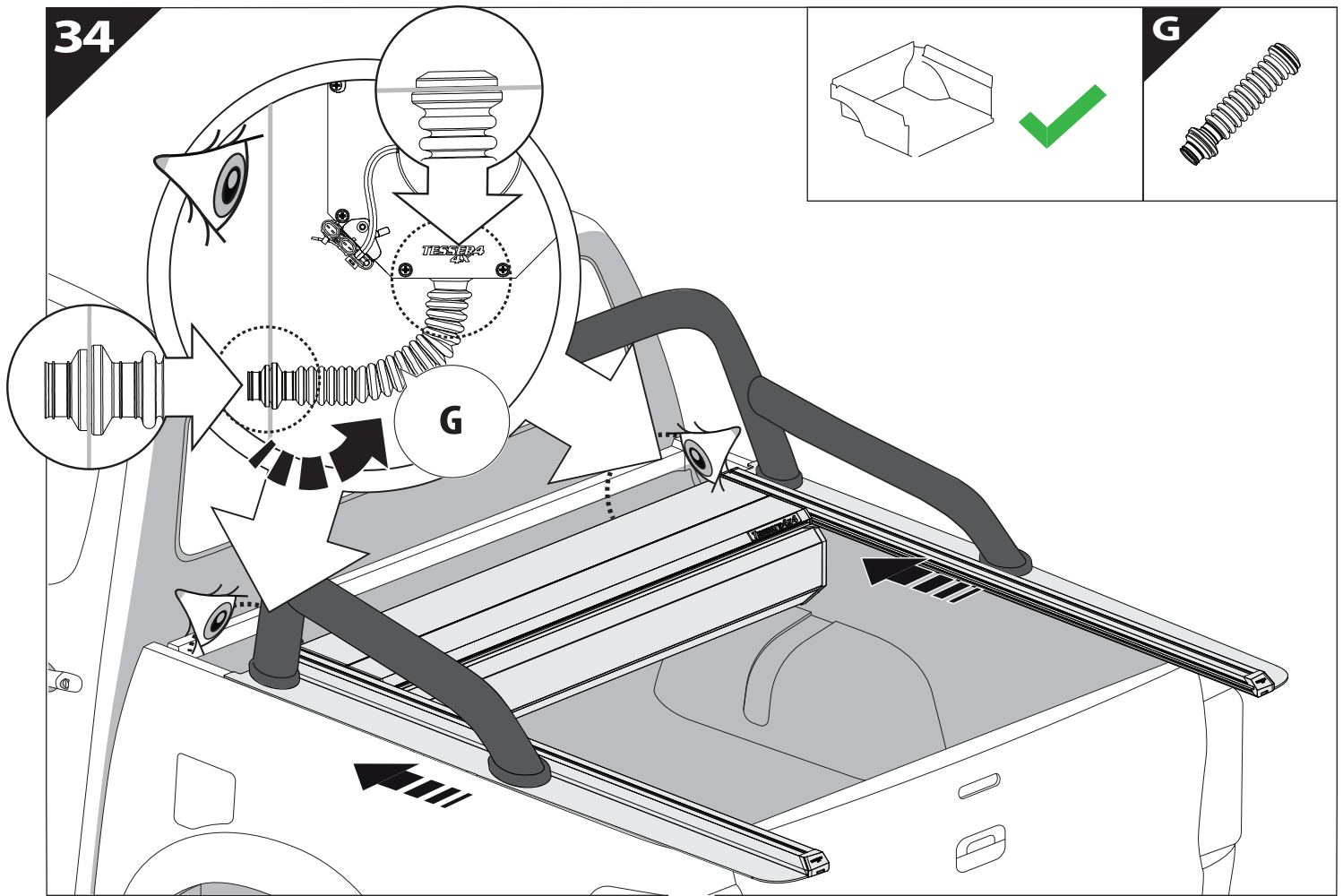
30. 1

Basic+S-KIT Version

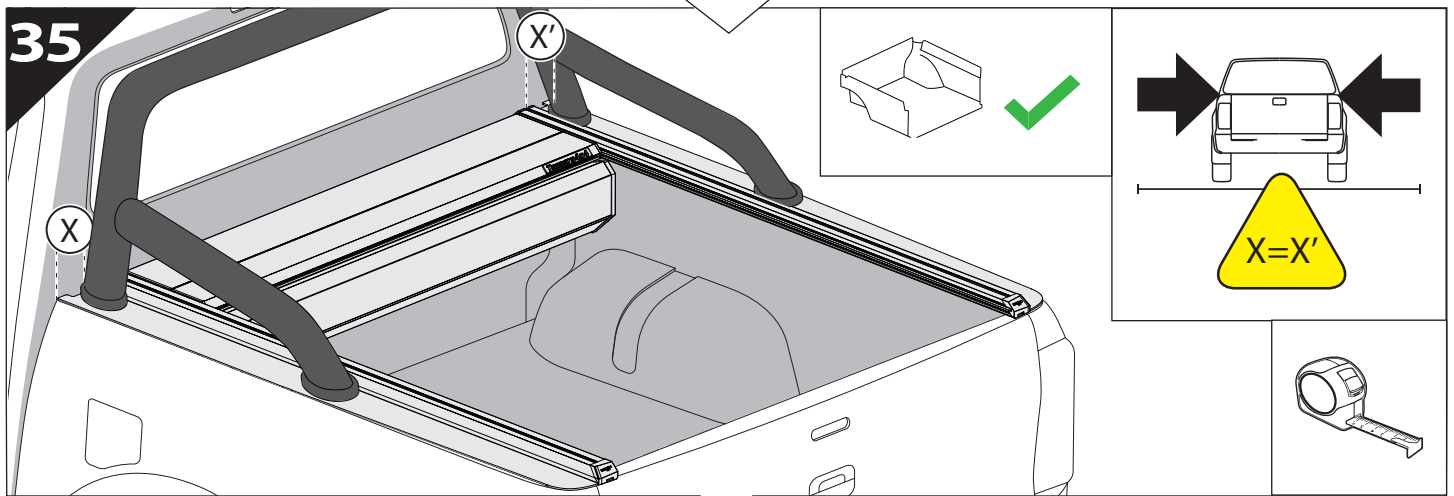
S-KIT
MANUAL



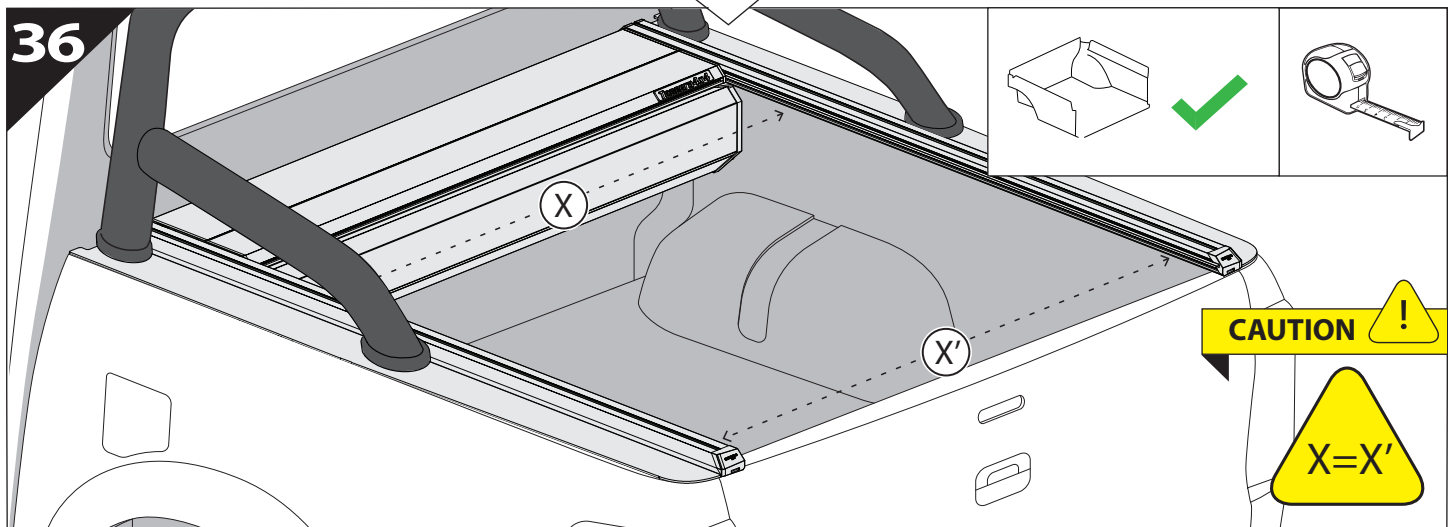
34

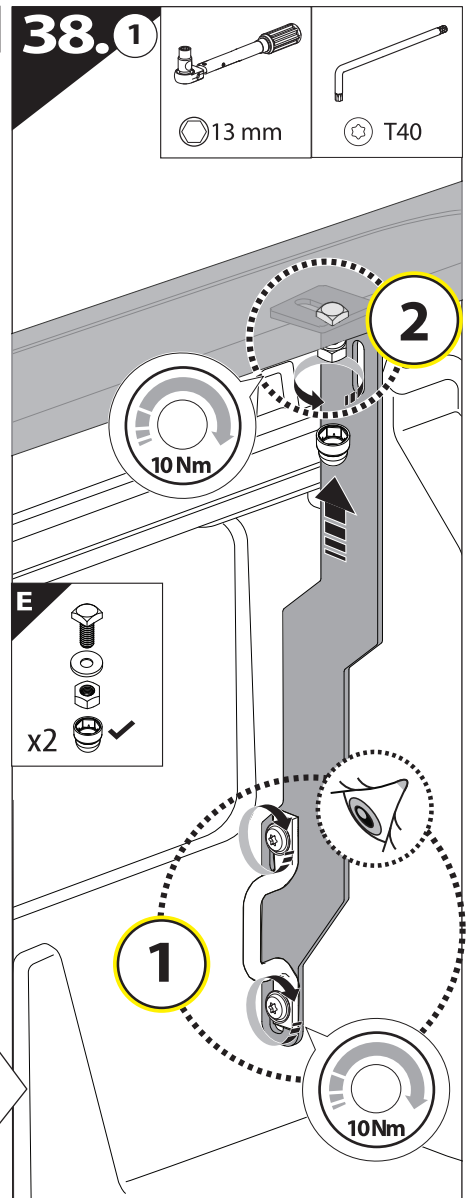
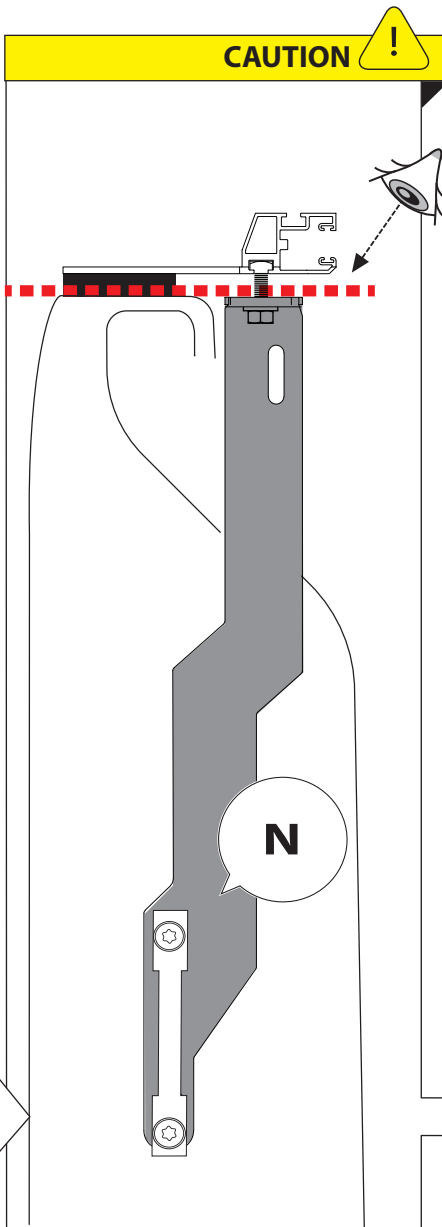
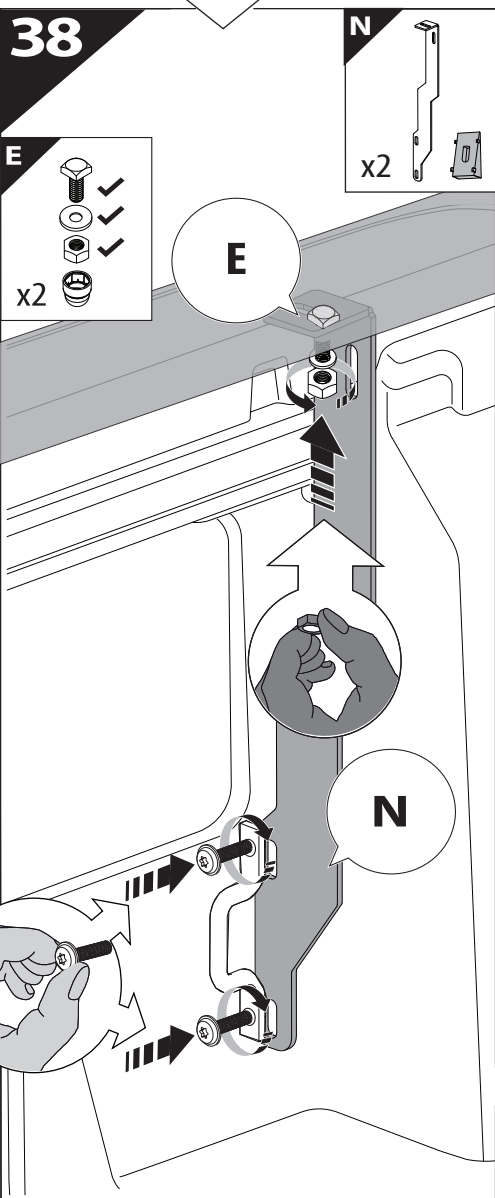
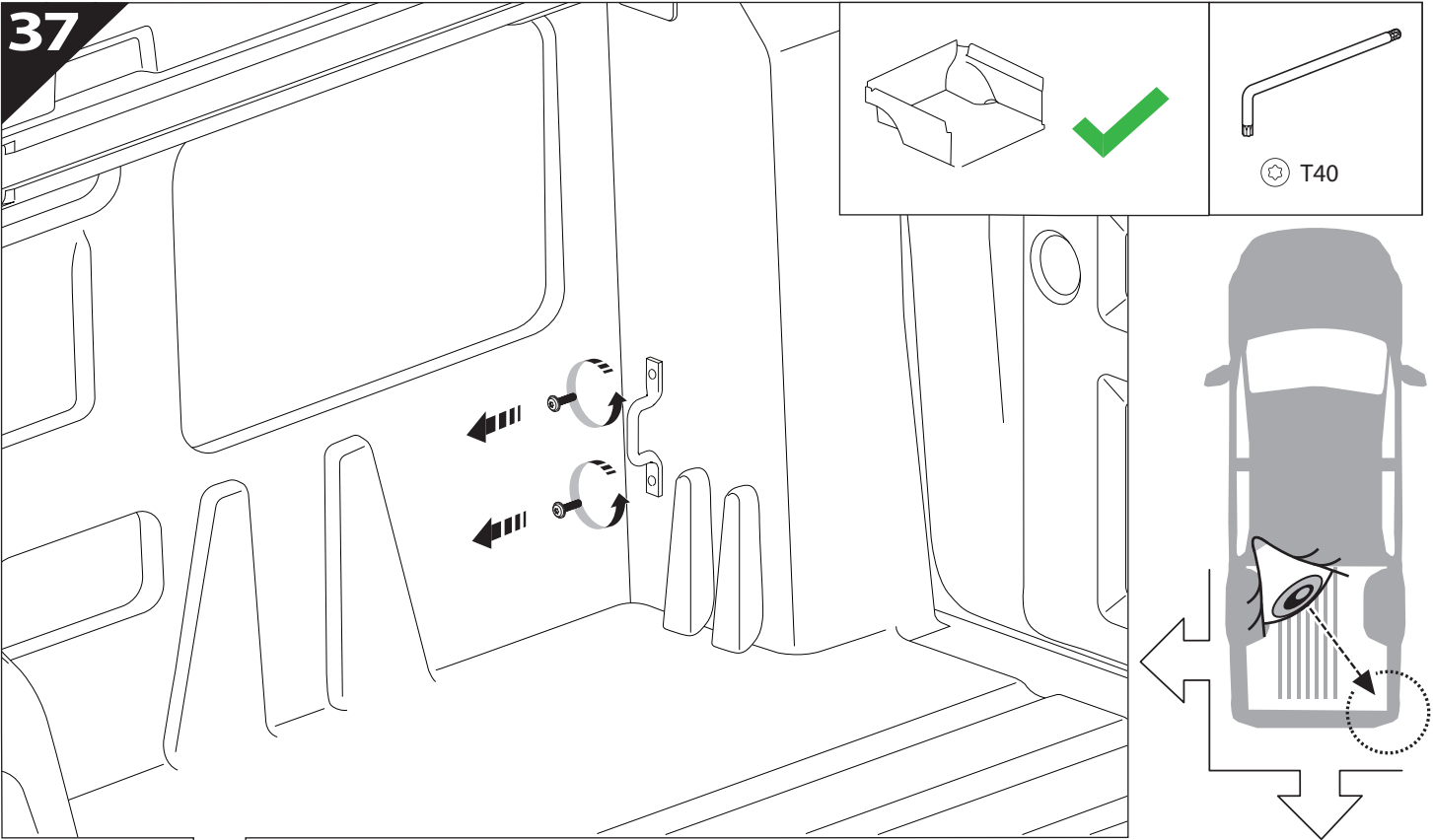


35



36



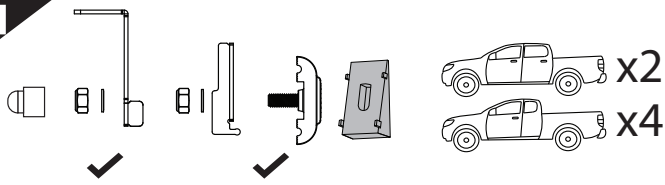


39 A

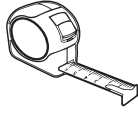
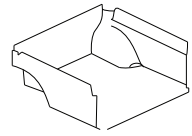
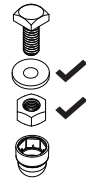


WITHOUT C - CHANNELS

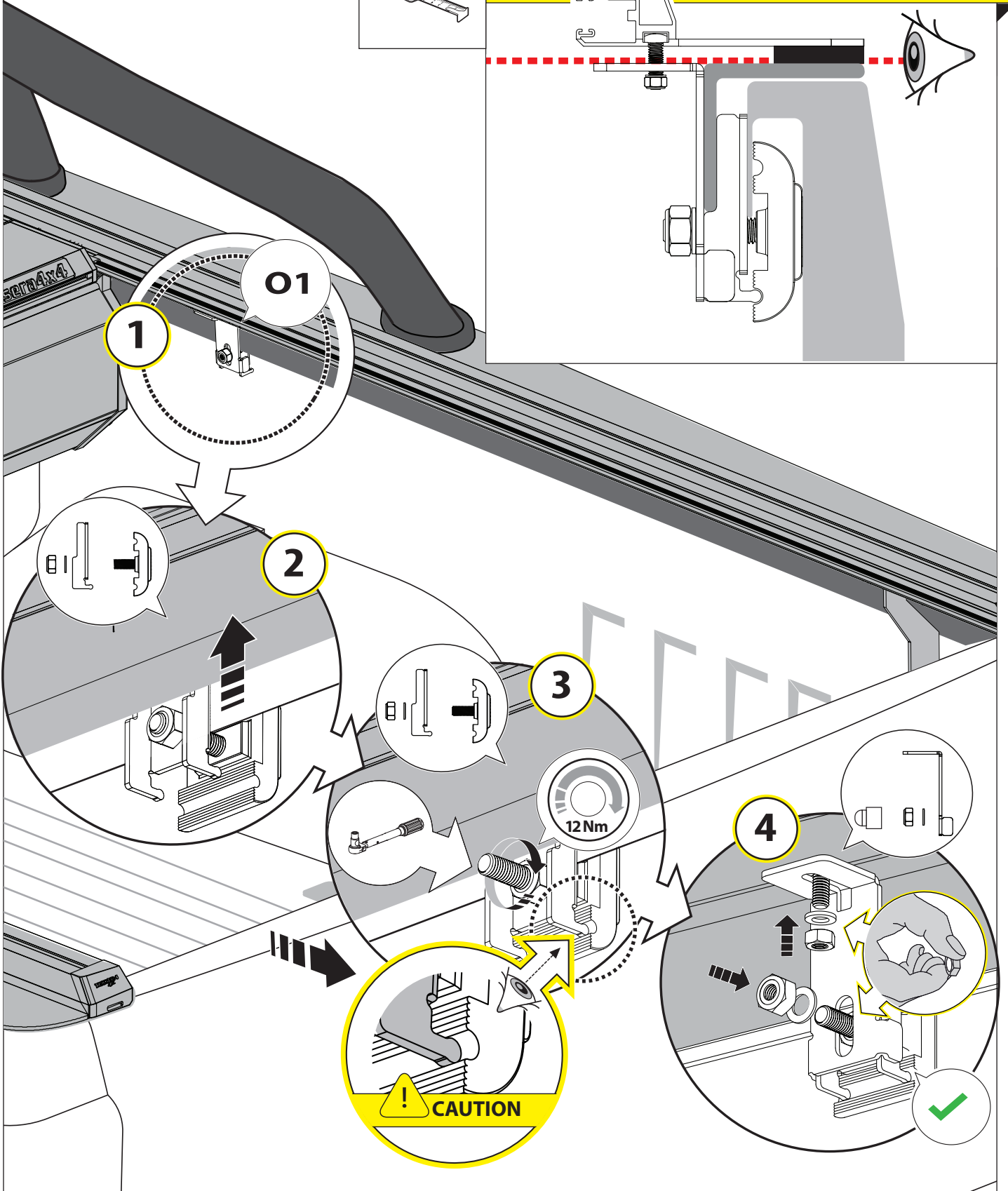
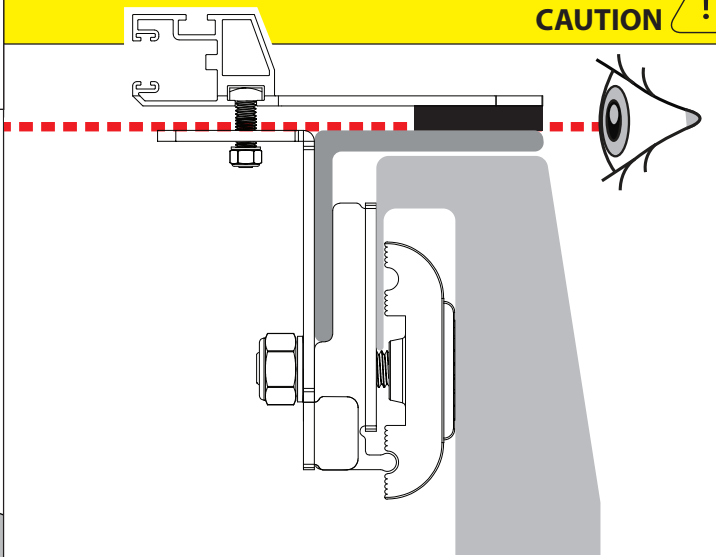
O1

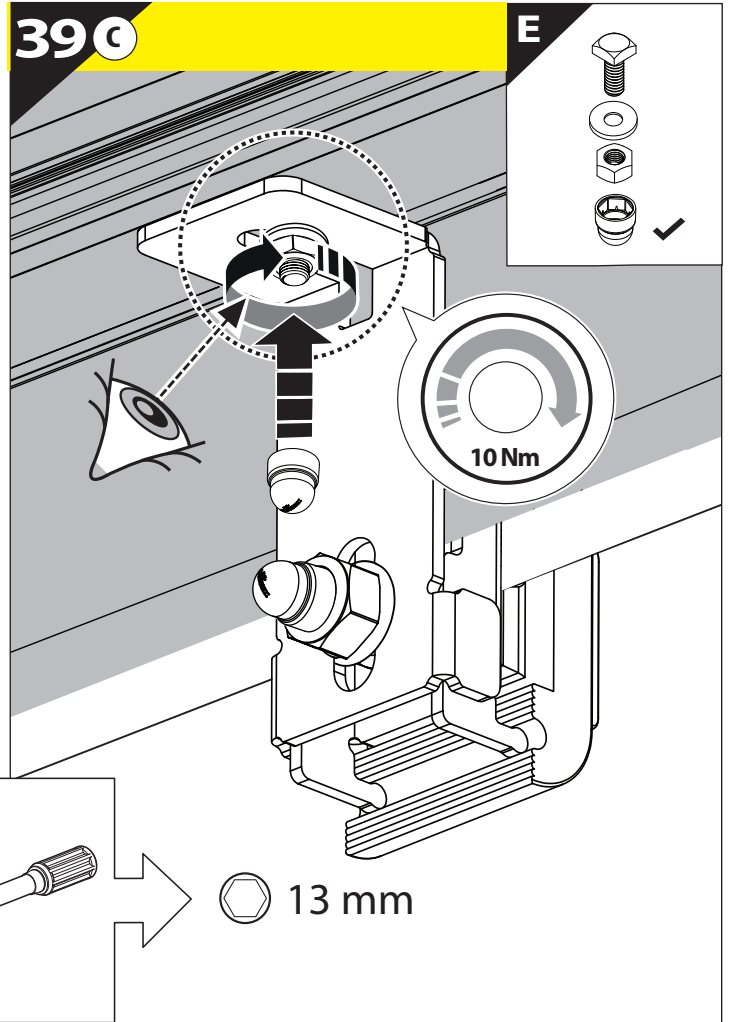
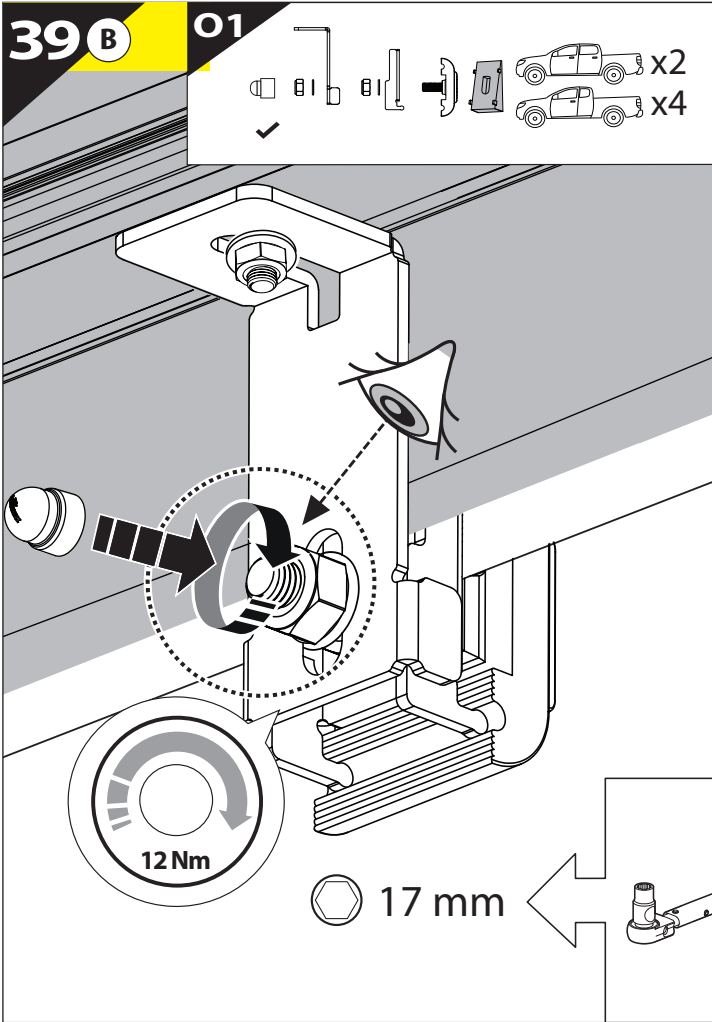


E

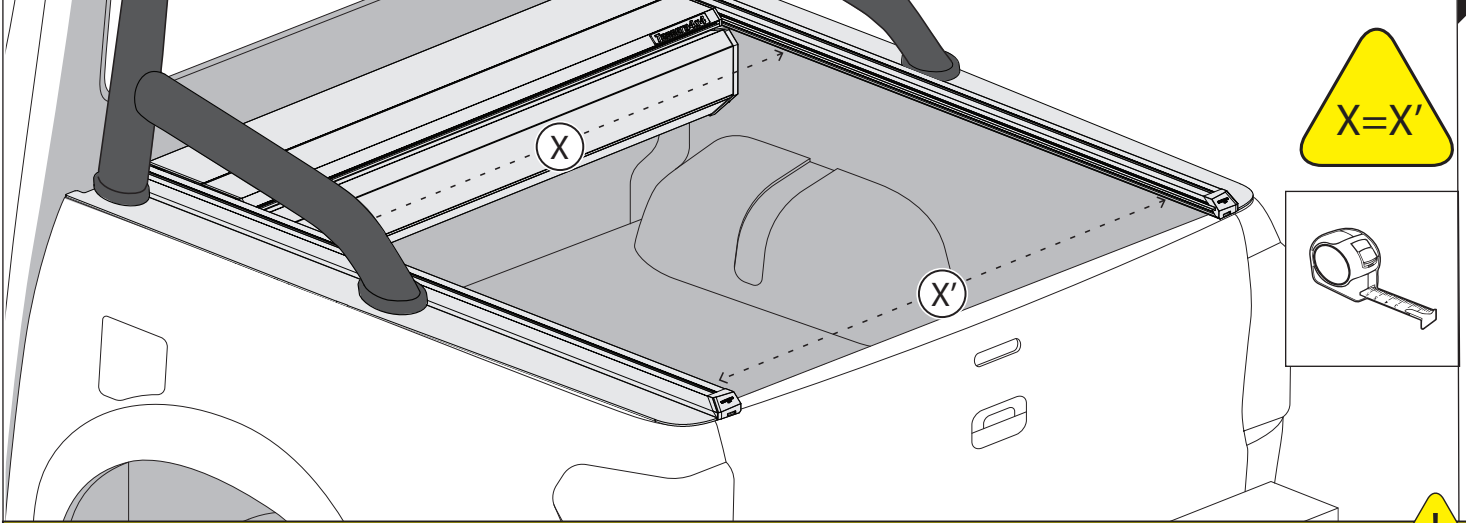


CAUTION

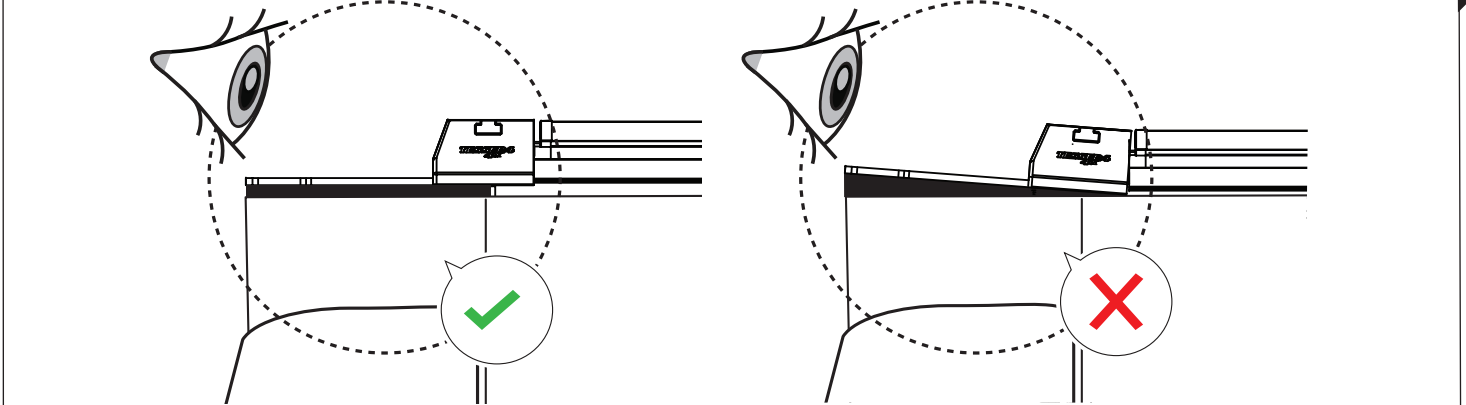




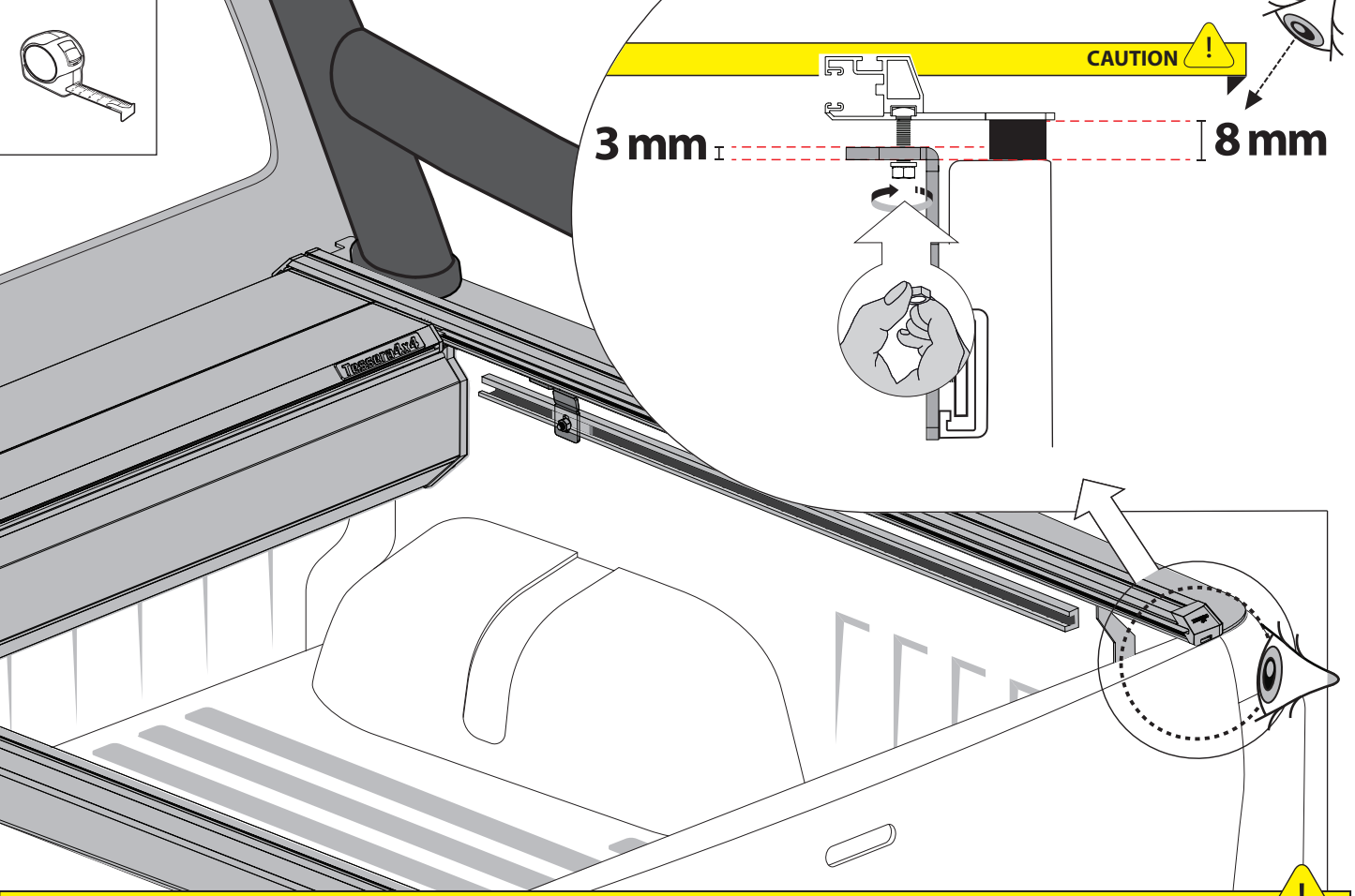
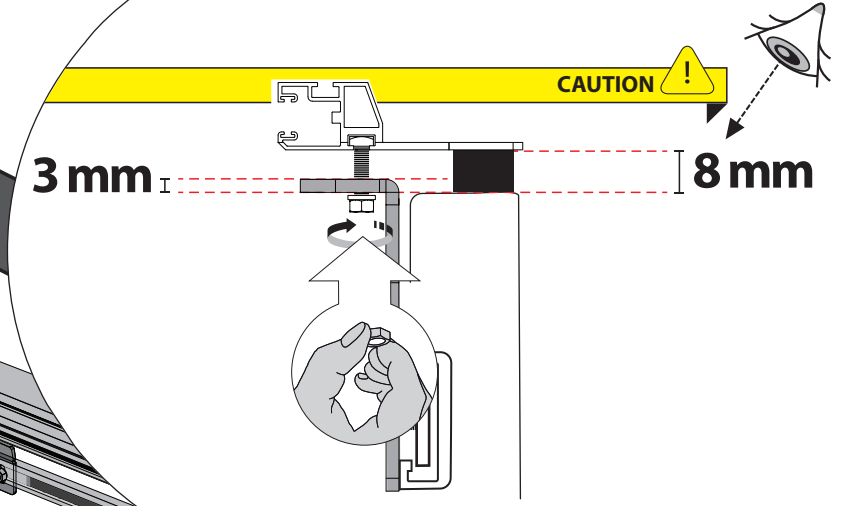
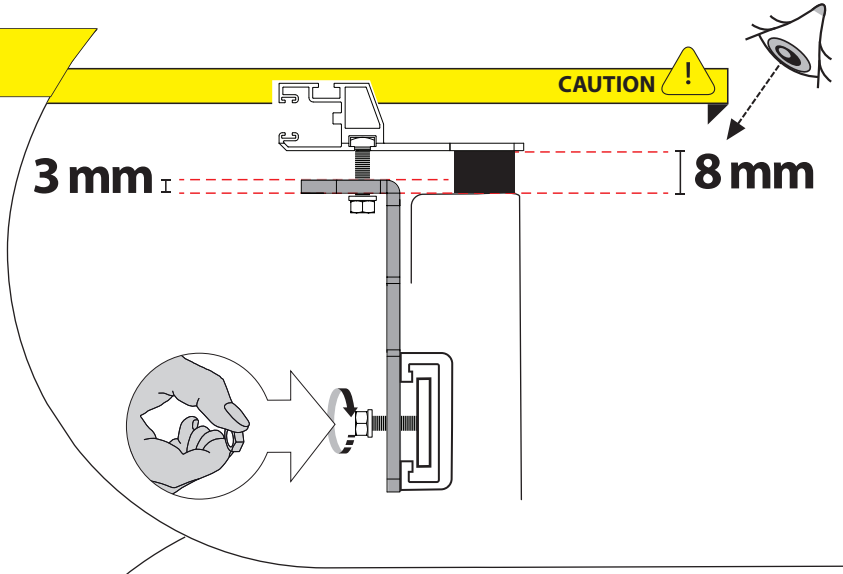
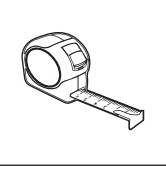
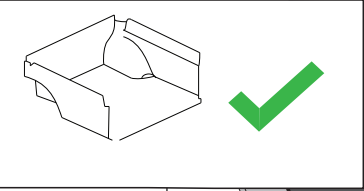
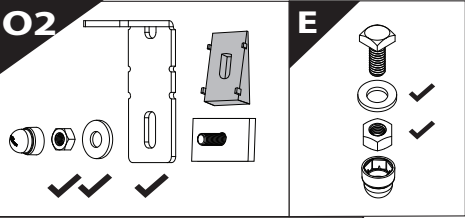
CAUTION !



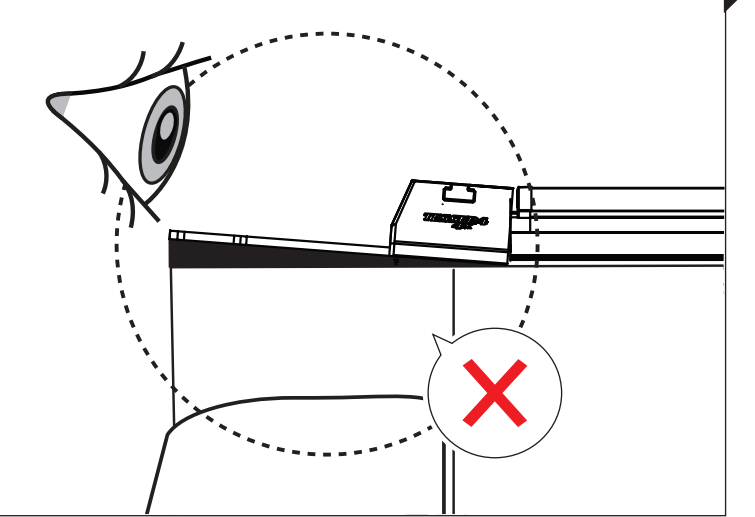
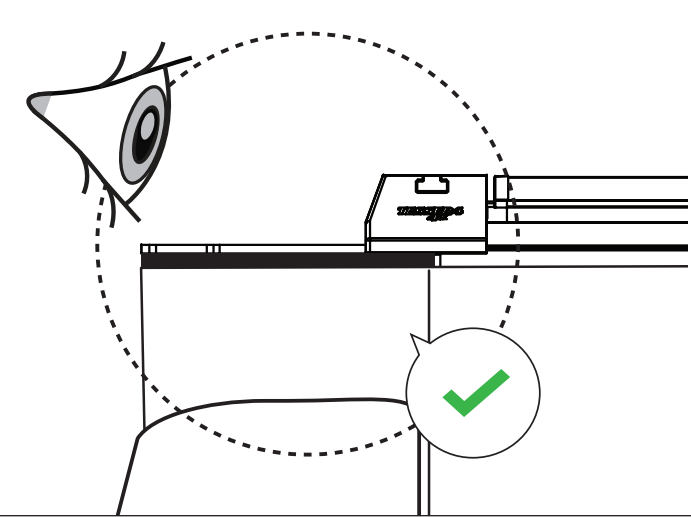
CAUTION !

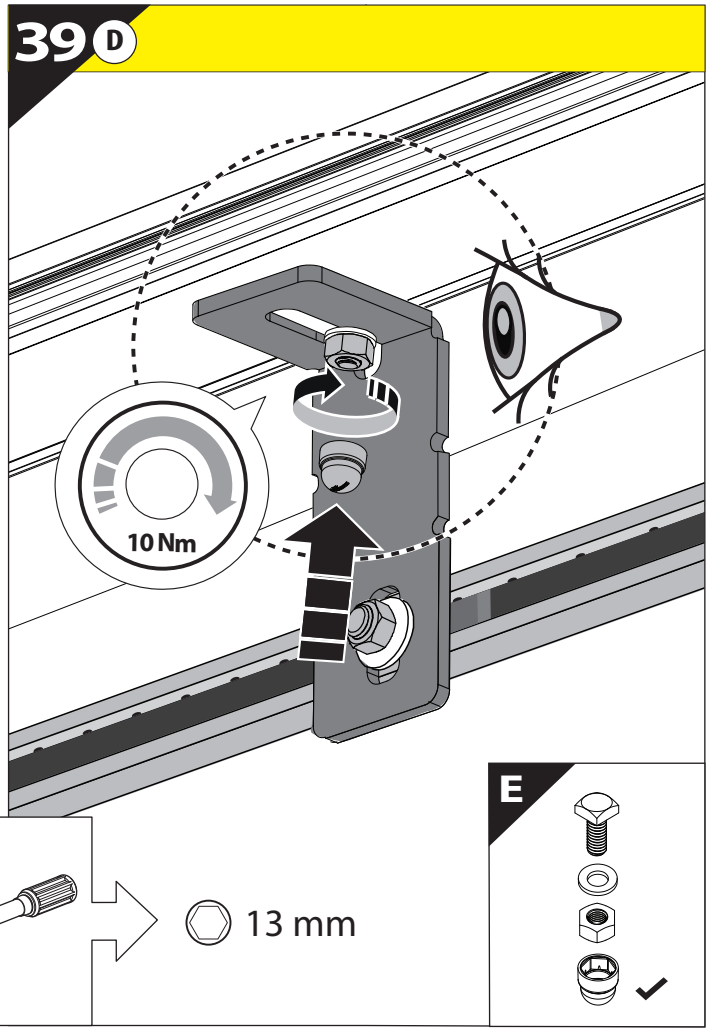
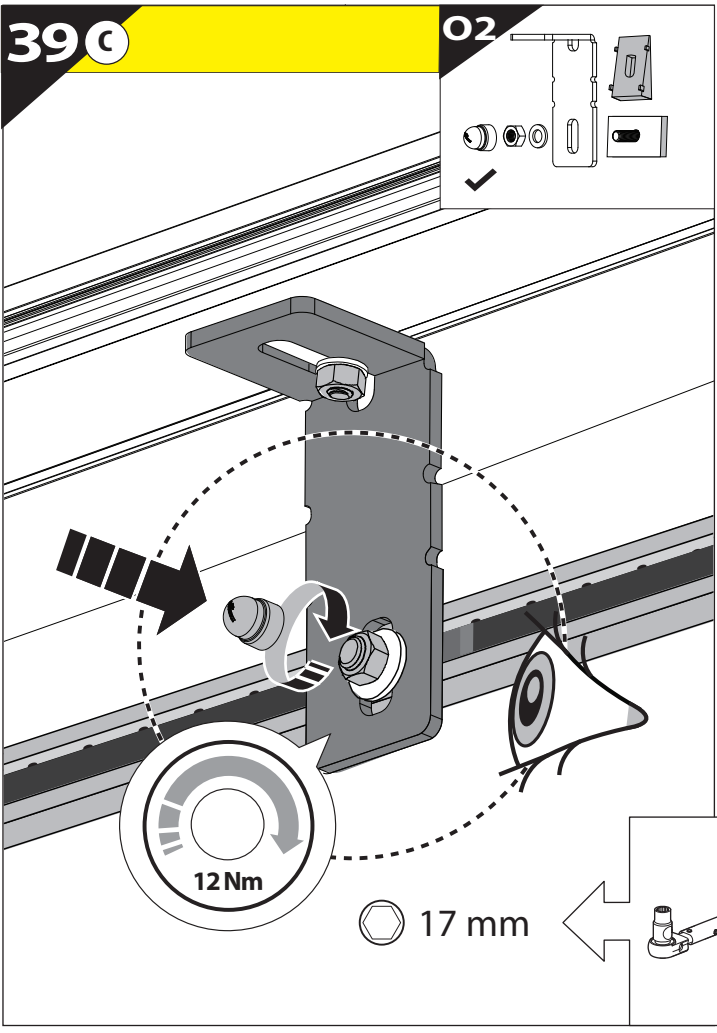


39 B

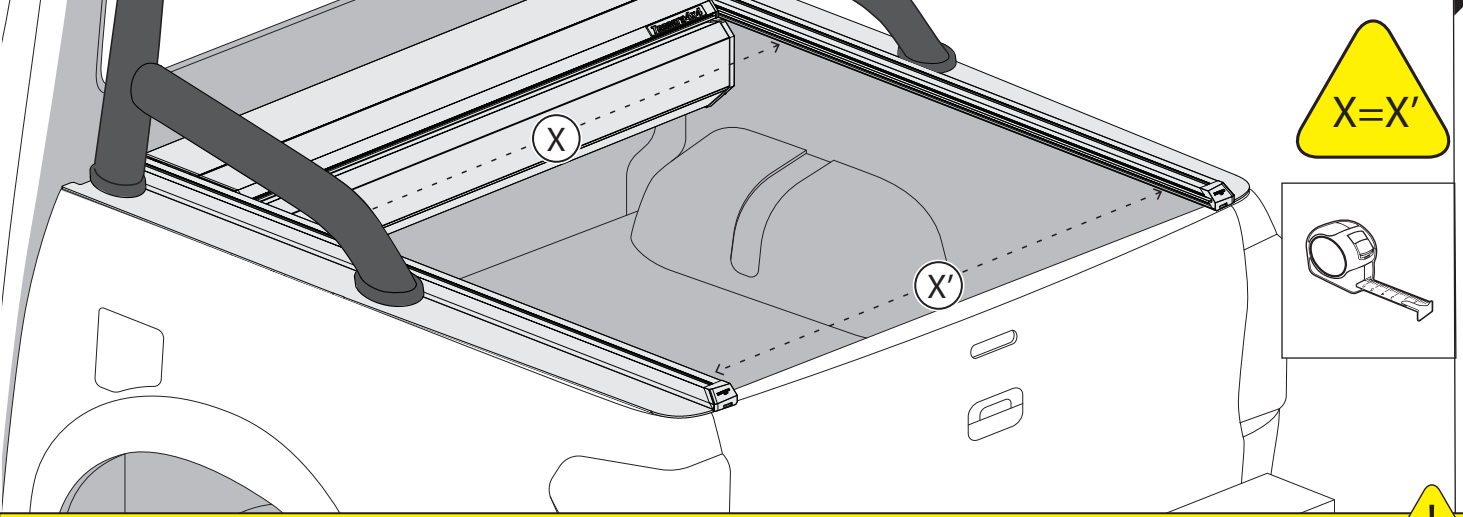


CAUTION !

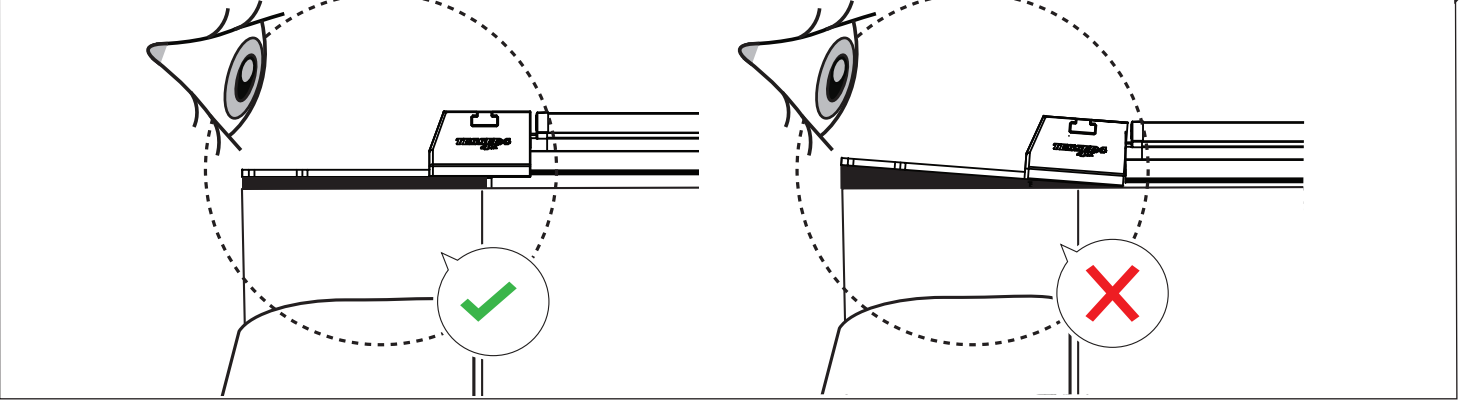




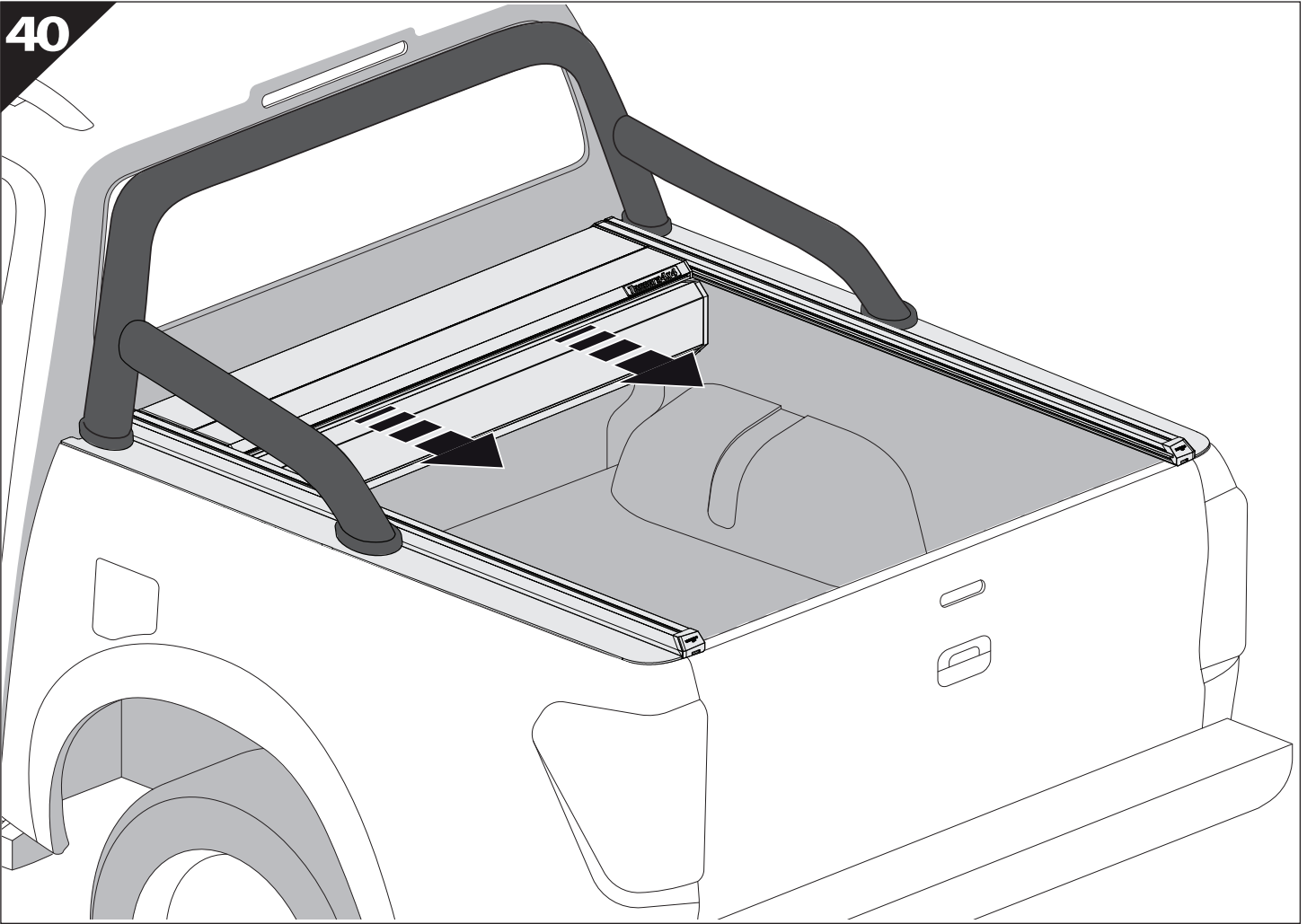
CAUTION !



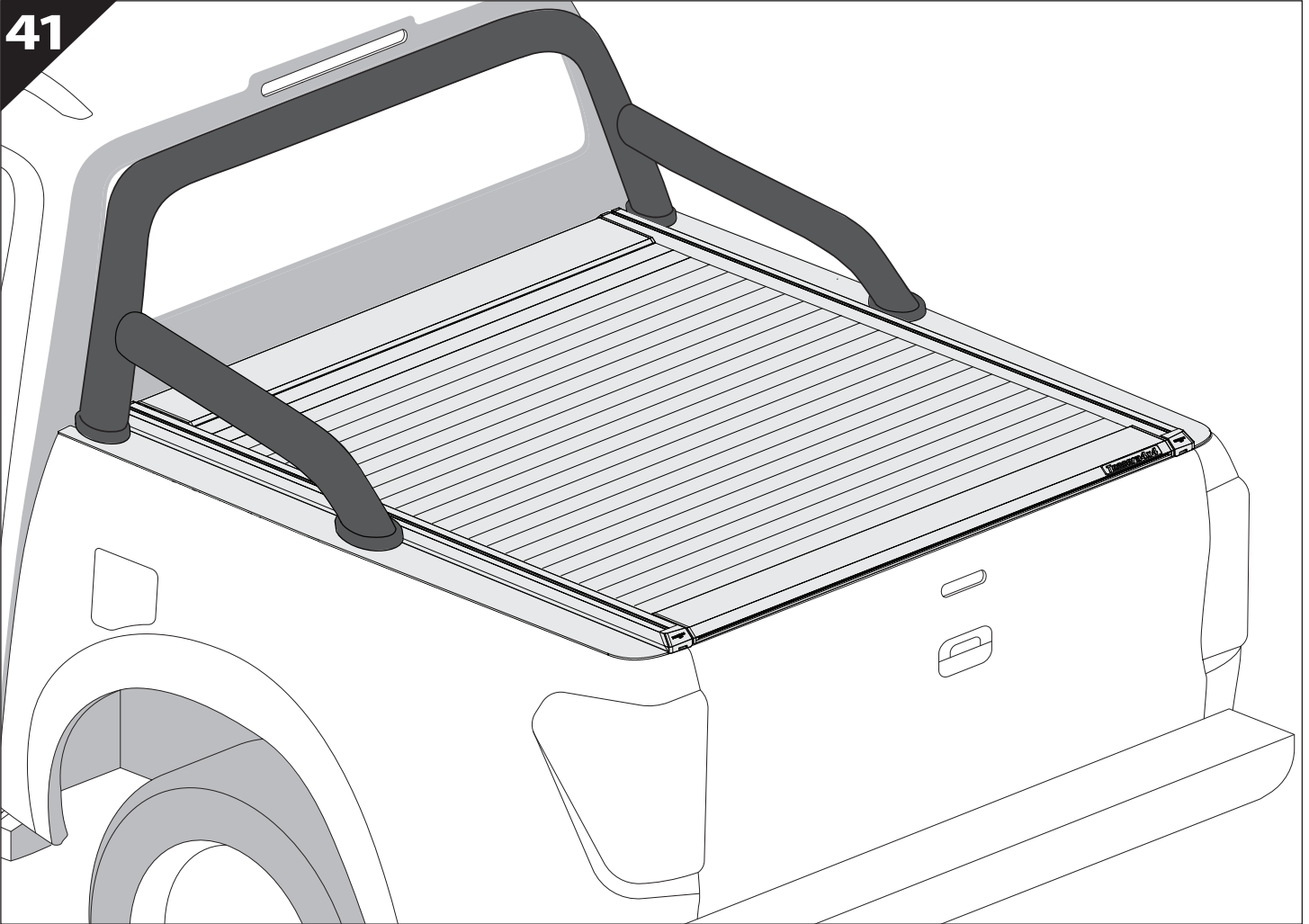
CAUTION !



40



41



GR: Οδηγίες Εγκατάστασης
GB: Installation manual
SF: Asennusohje
F: Notice de montage
PL: Instrukcja montażu
NL: Installatie-instructies
TR: Montaj Talimatı
S: Monteringsanvisning
E: Instrucciones de montaje

H: Szerelési utasítás
P: Instruções de instalação
RUS: Инструкция по установке
N: Monteringsveiledning
D: Einbauanleitung
CZ: Návod k instalaci
I: Istruzioni de montaggio
DK: Monteringsvejledning
RO: Instructiuni de instalare

Customer Service:

+30 (210) 5541161, +30 (210) 5541154 (08:00 - 16:00 EET)

Support department:

info@gianso.gr

Website:

www.tessera4x4.com

Address:

19.5 km of National road Athens-Korinthos (Elefsina) Greece, P.C: 19200