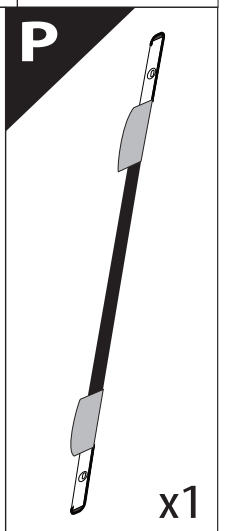
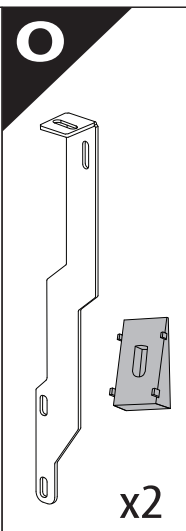
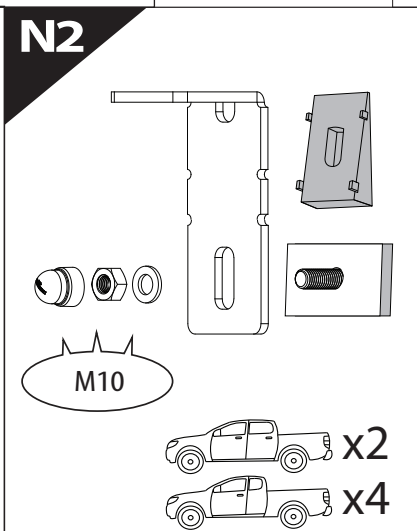
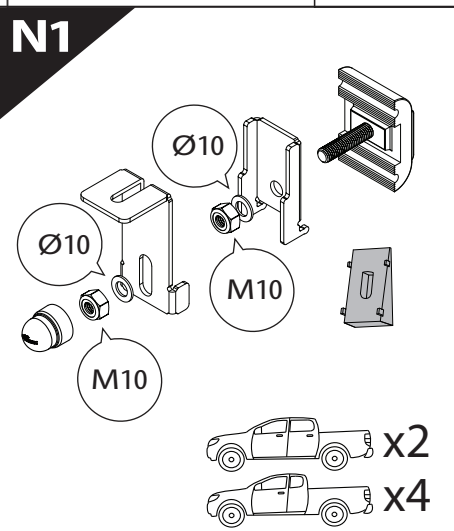
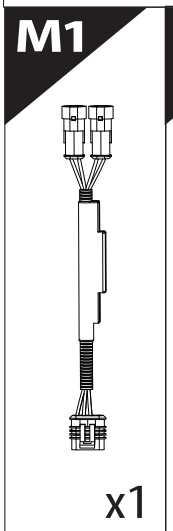
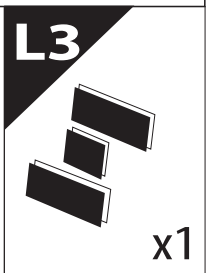
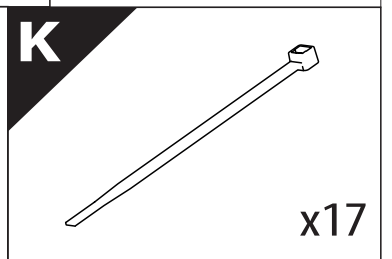
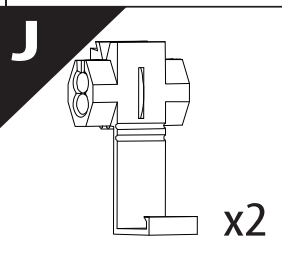
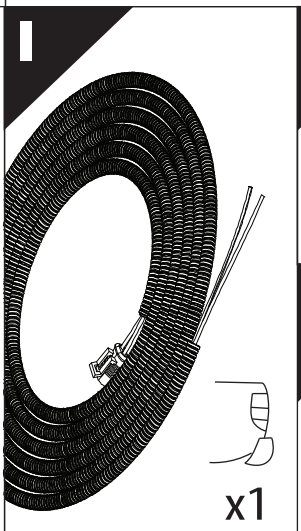
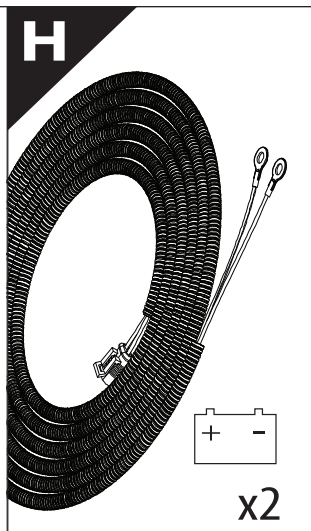
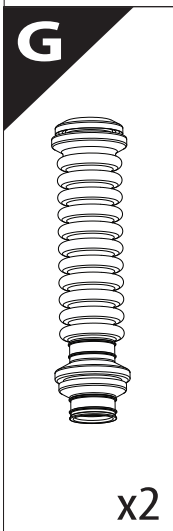
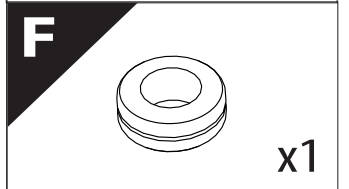
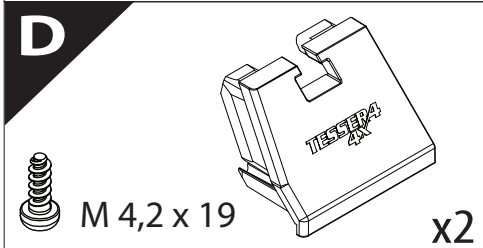
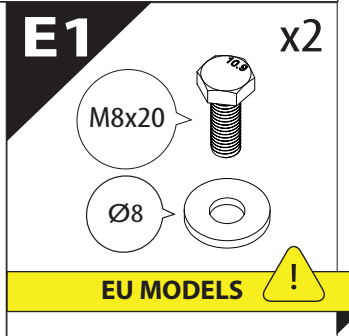
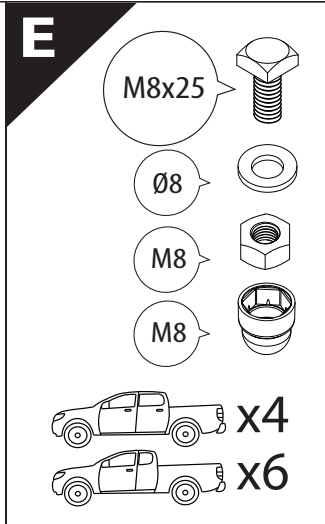
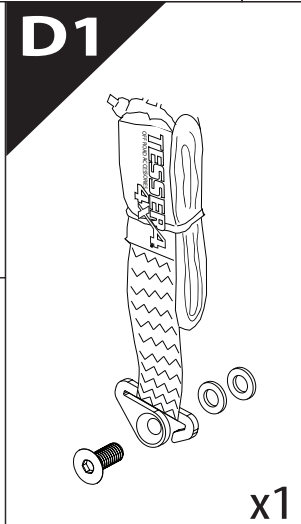
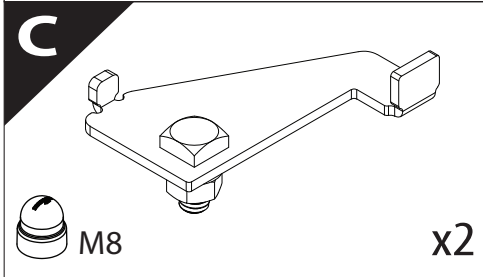
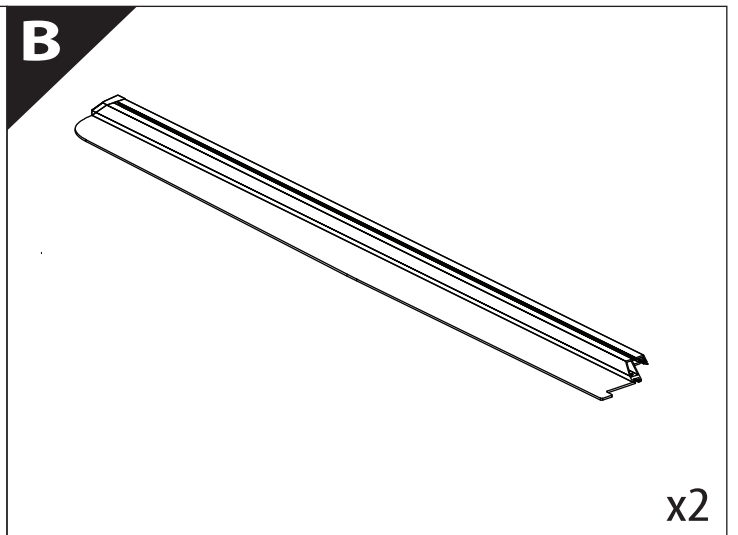
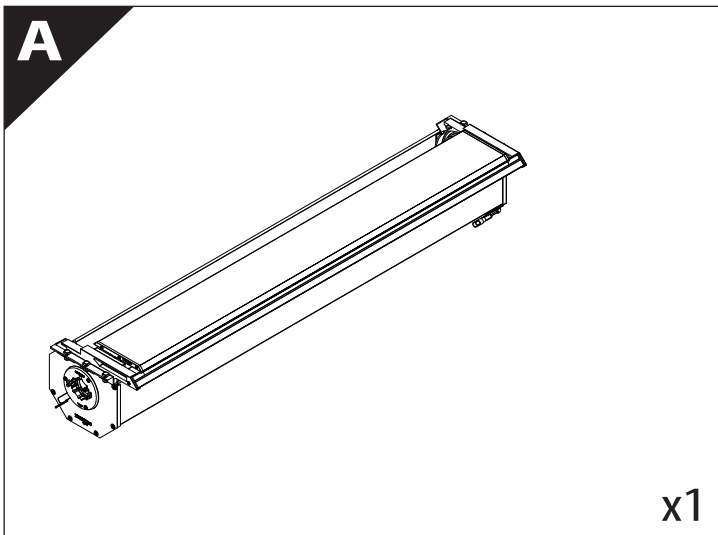
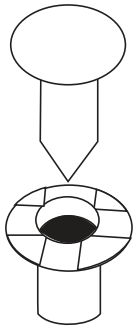


Installation Manual

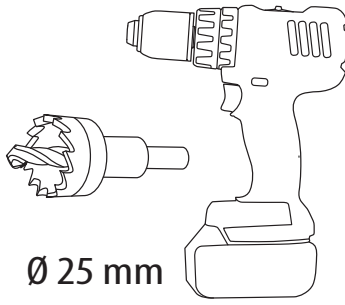
PART NUMBER(S)	Model Year
TESS 14060 ROLL	FORD RANGER 2023+ (P 703) WITH OR WITHOUT C-CHANNELS
TESS 14070 ROLL	
Cab(s)	Installation Time / Weight
Double Cab & Space cab	40-60 minutes / 53-57 kg



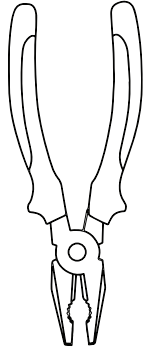
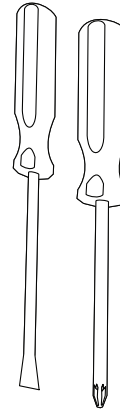
Q



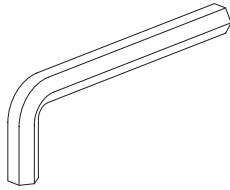
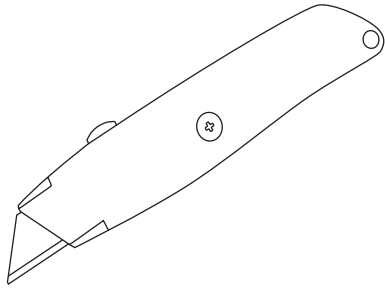
x2



Ø 25 mm

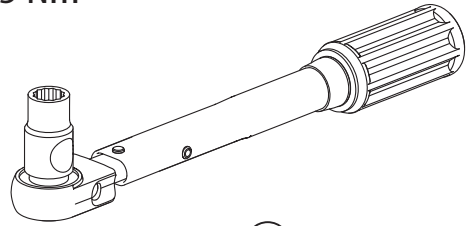


US MODELS

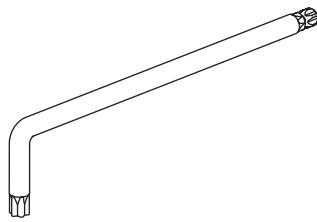
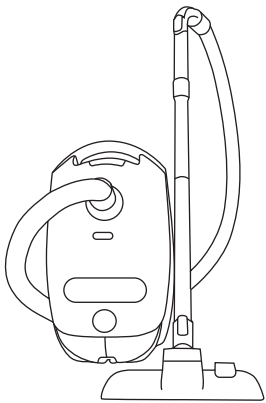
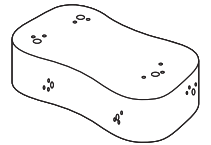
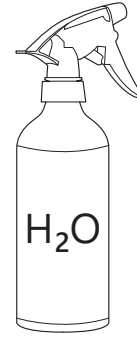
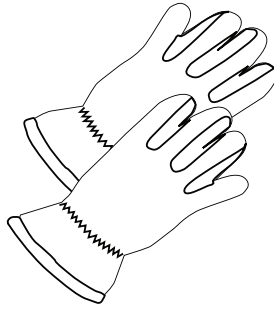
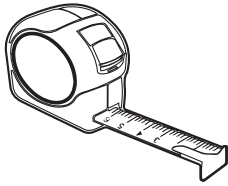


4 mm

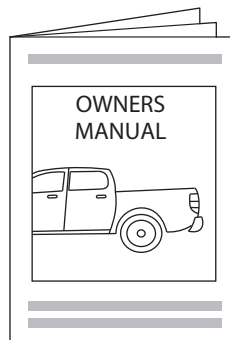
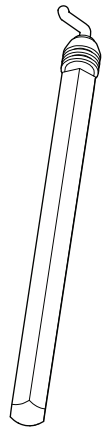
1 - 25 Nm



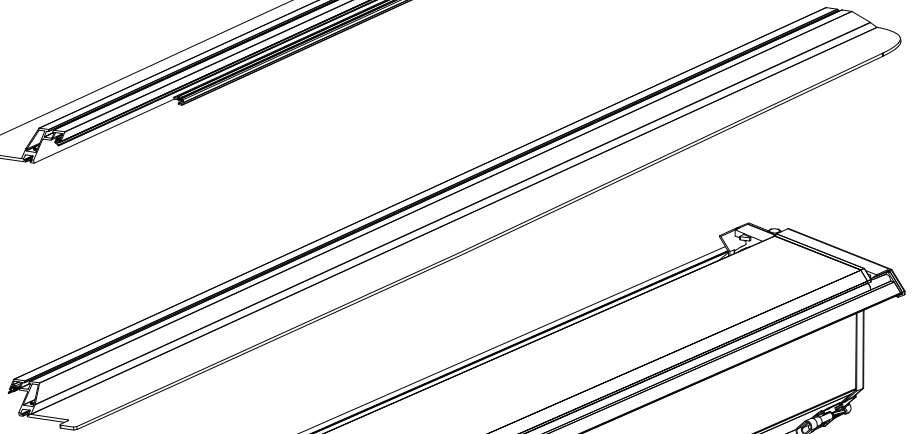
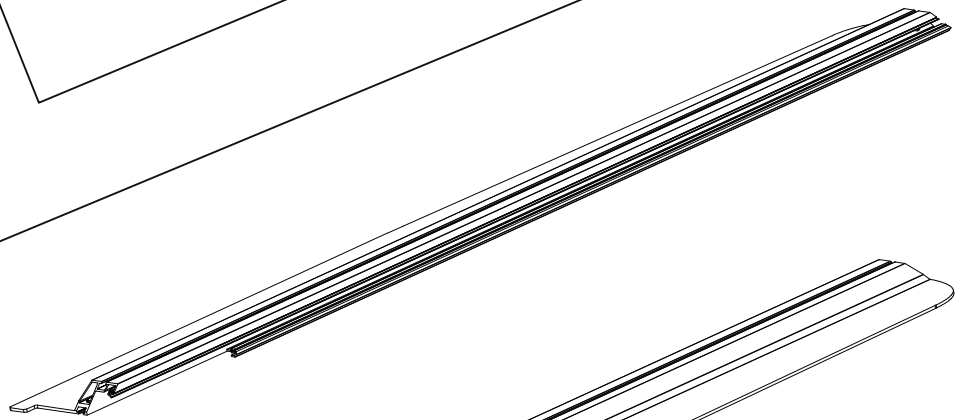
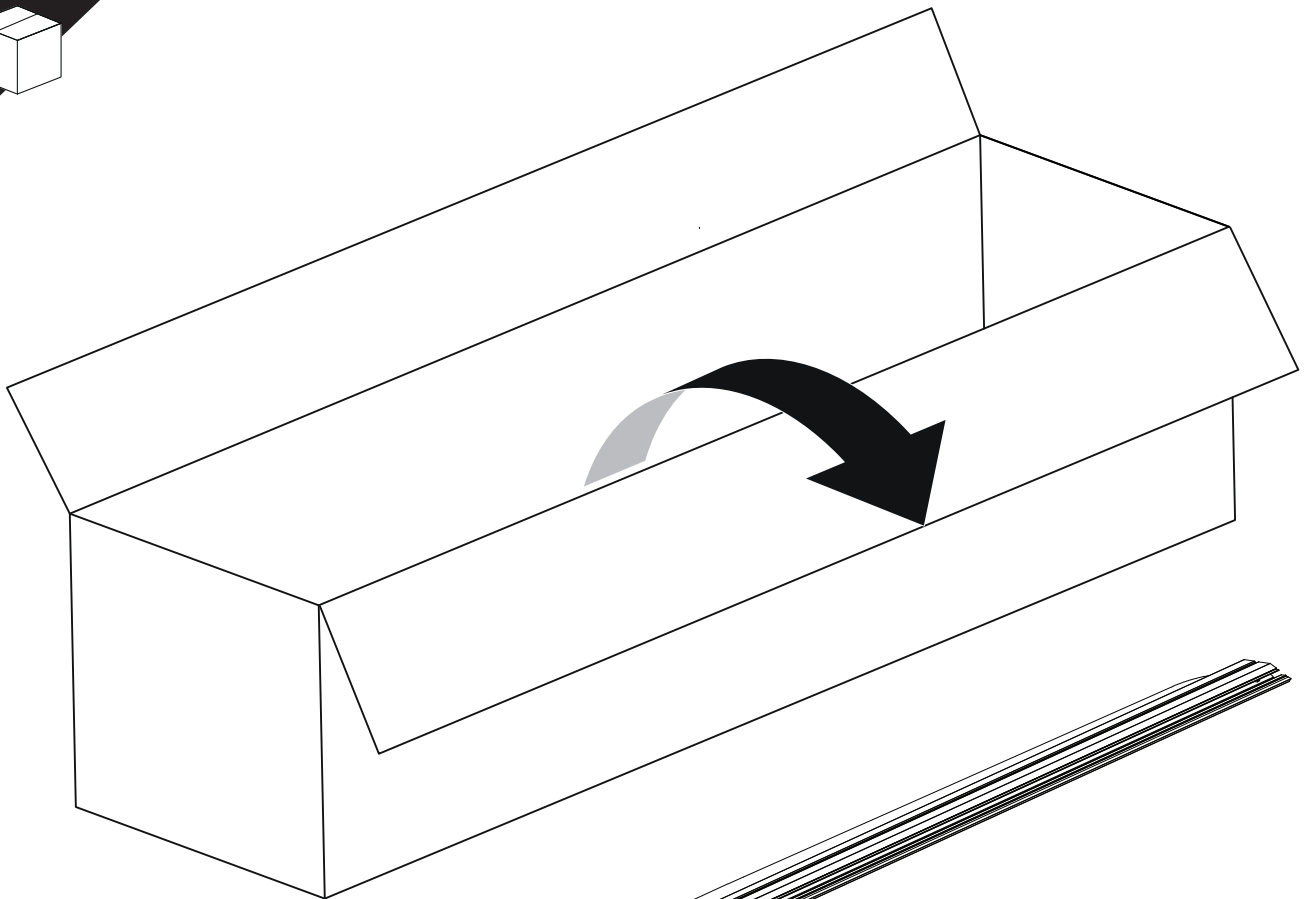
10, 12, 13, 17 mm



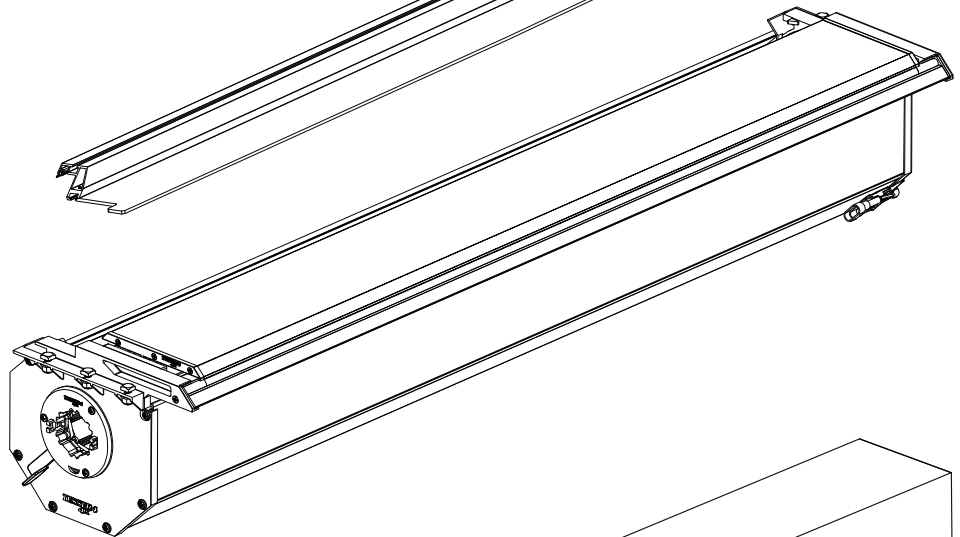
T30, T40



x1

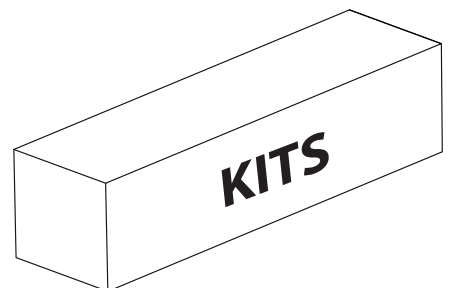


B

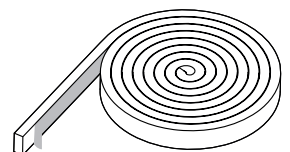


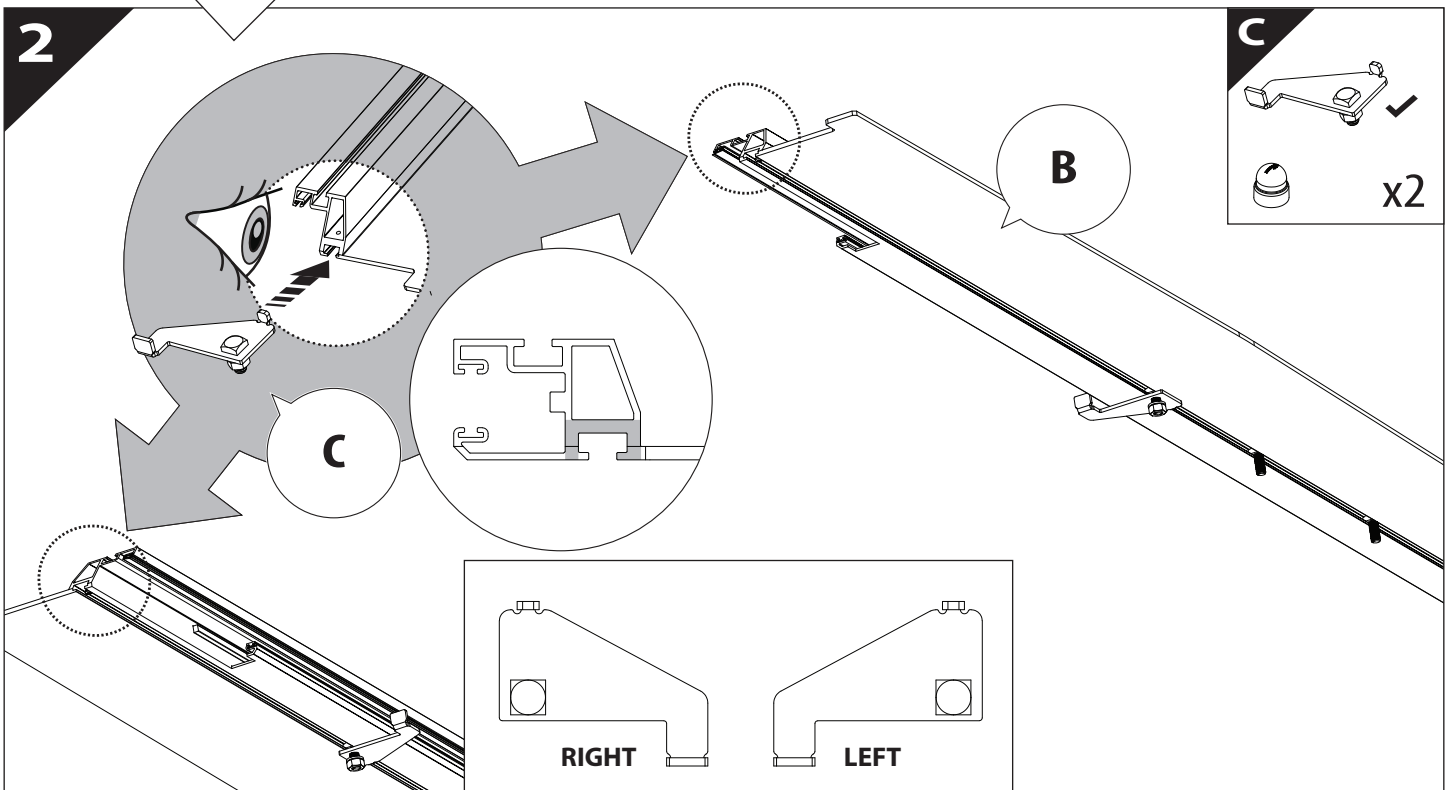
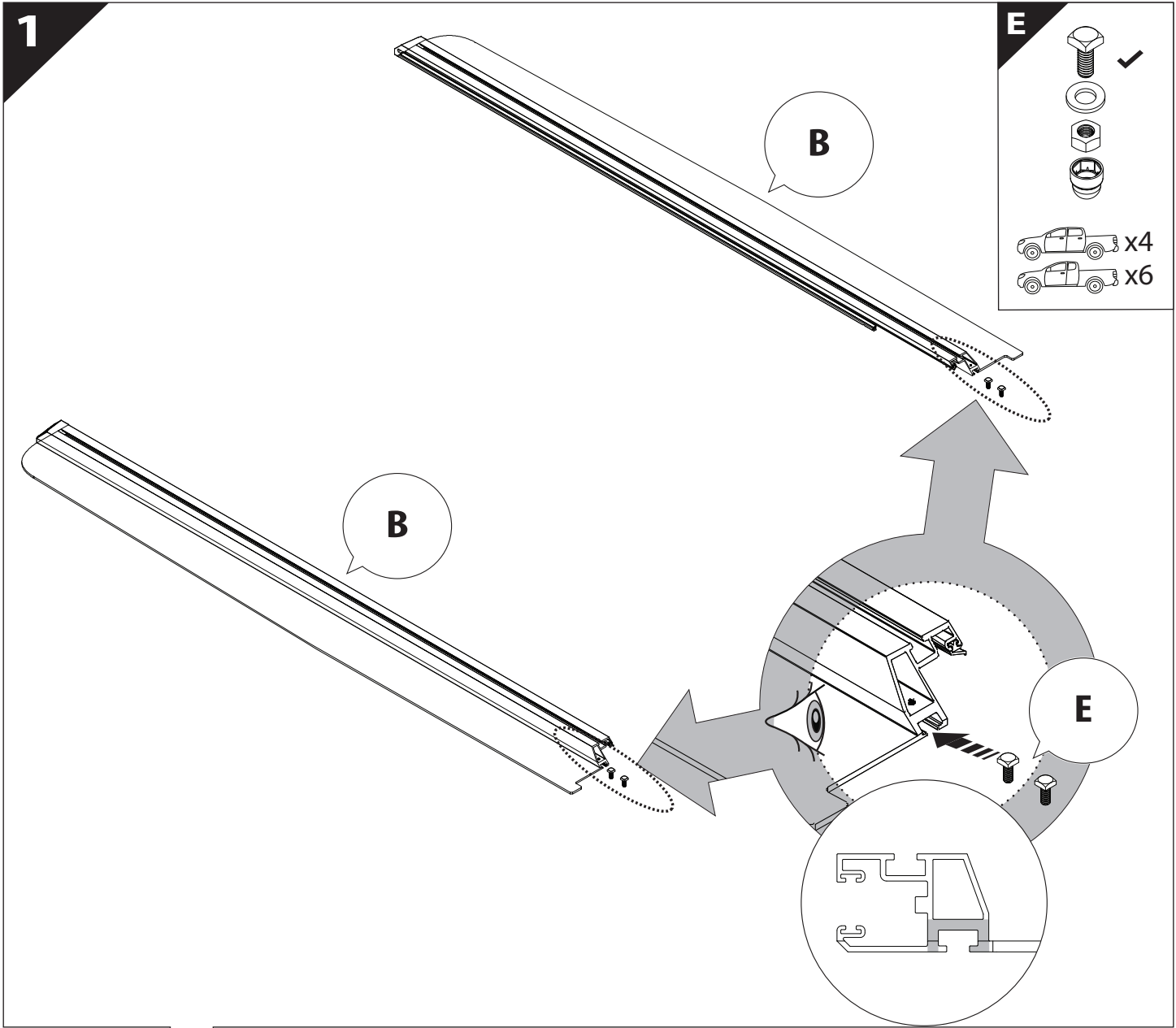
A

KITS

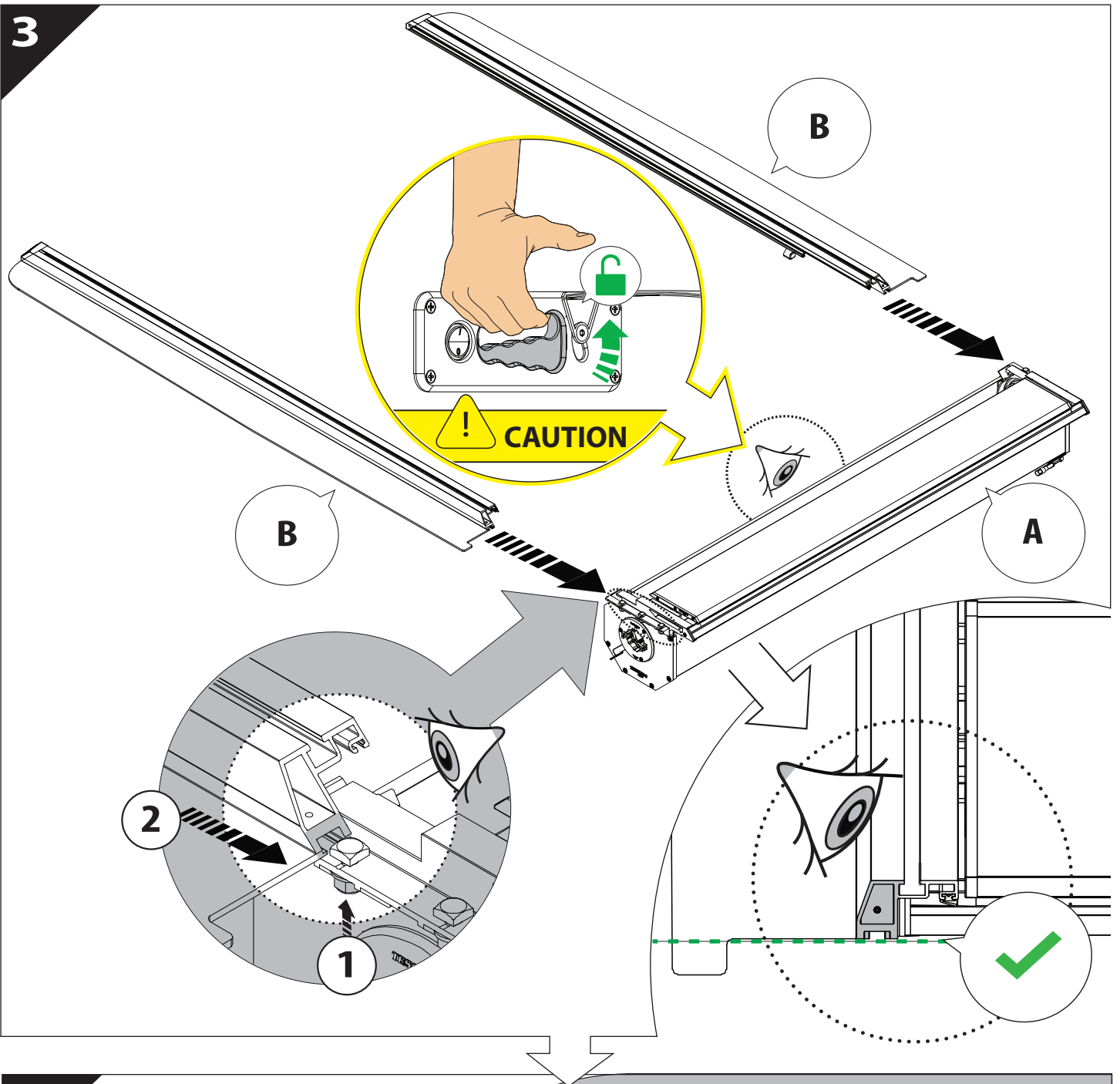


L

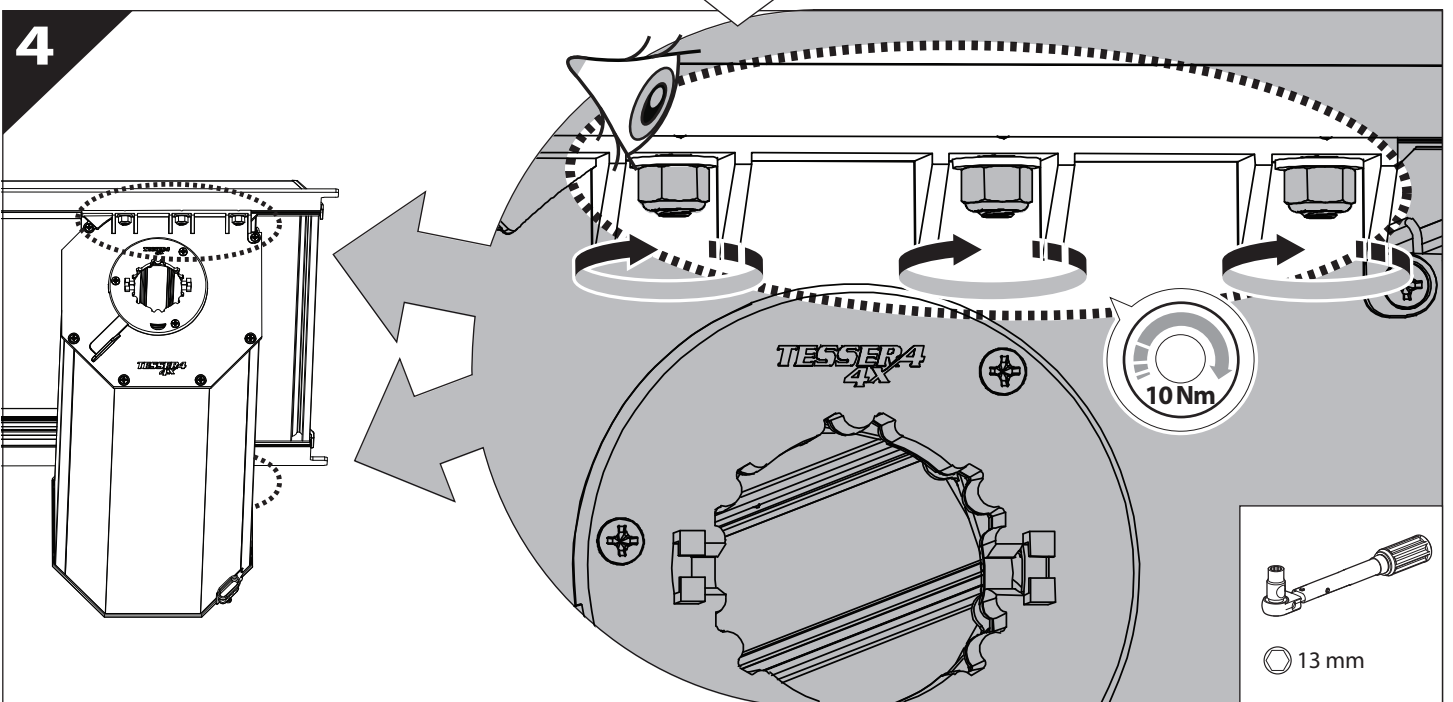


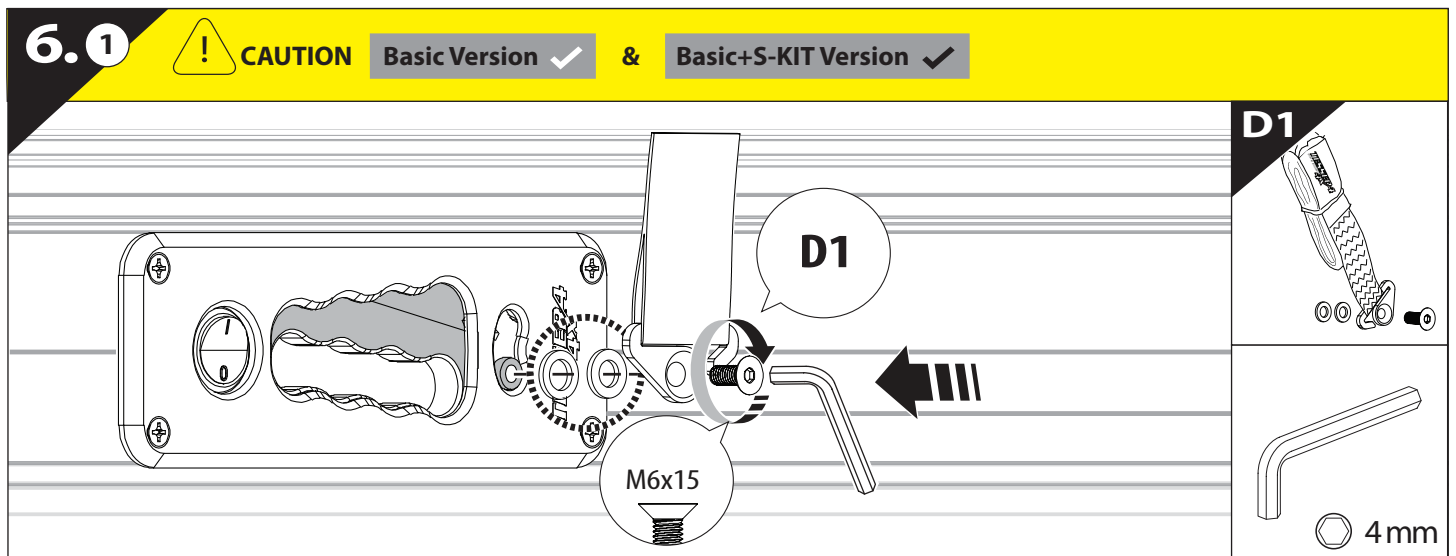
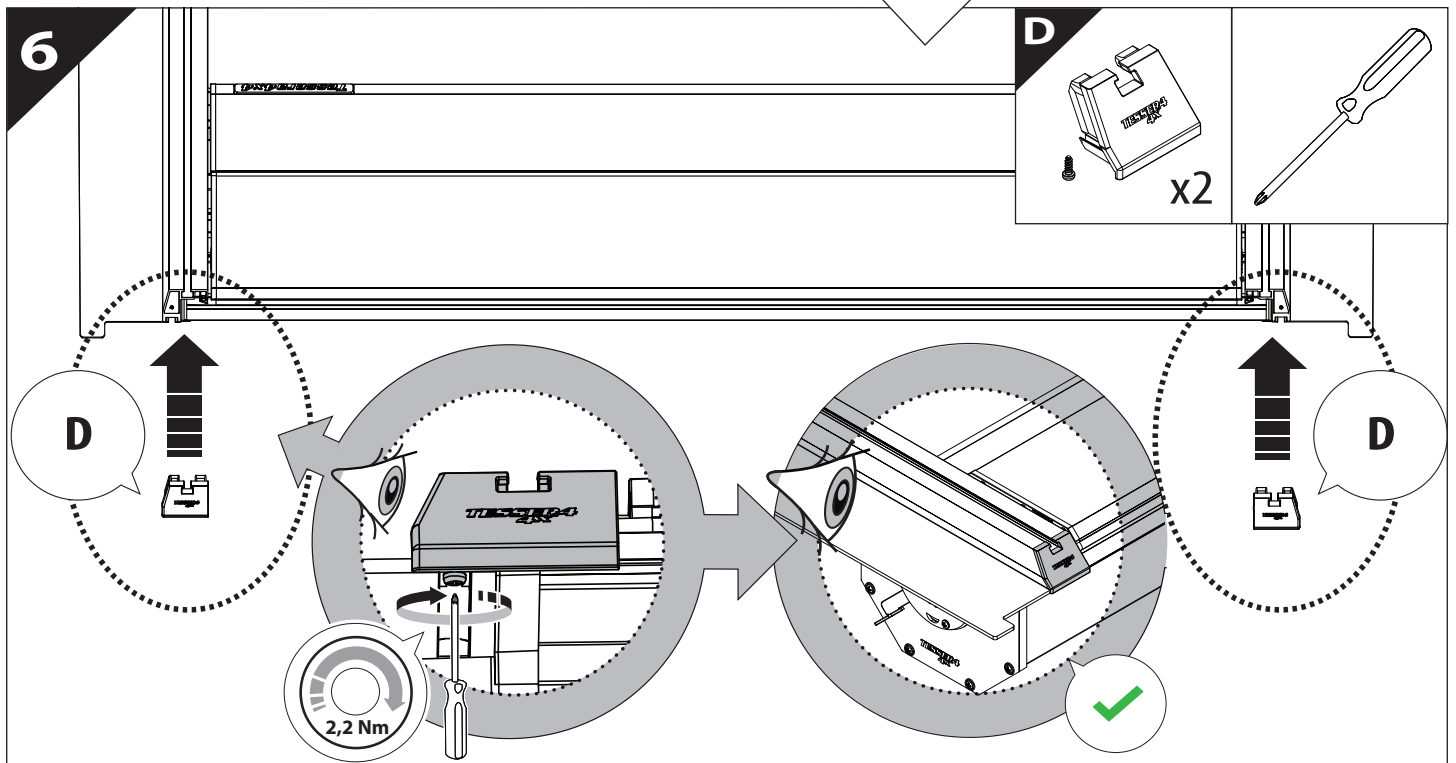
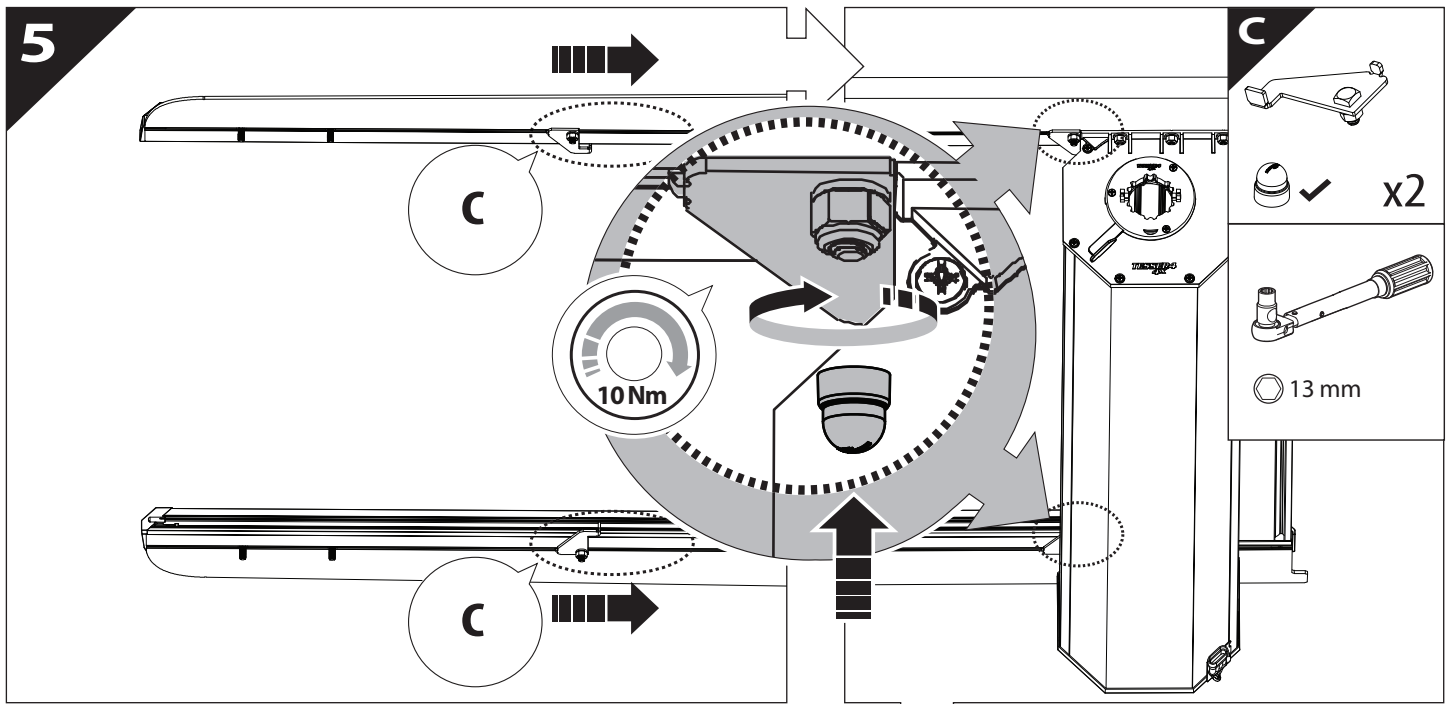


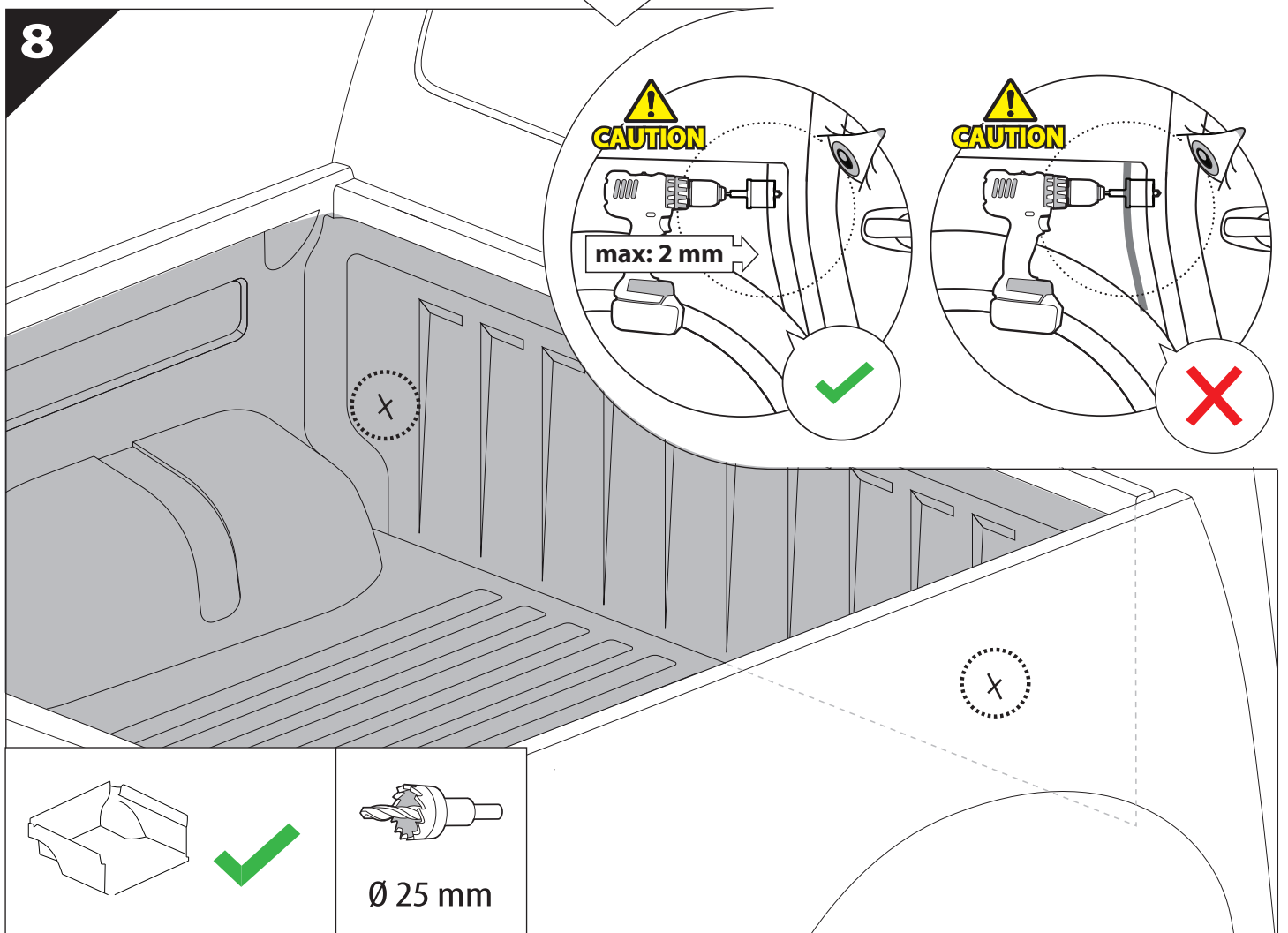
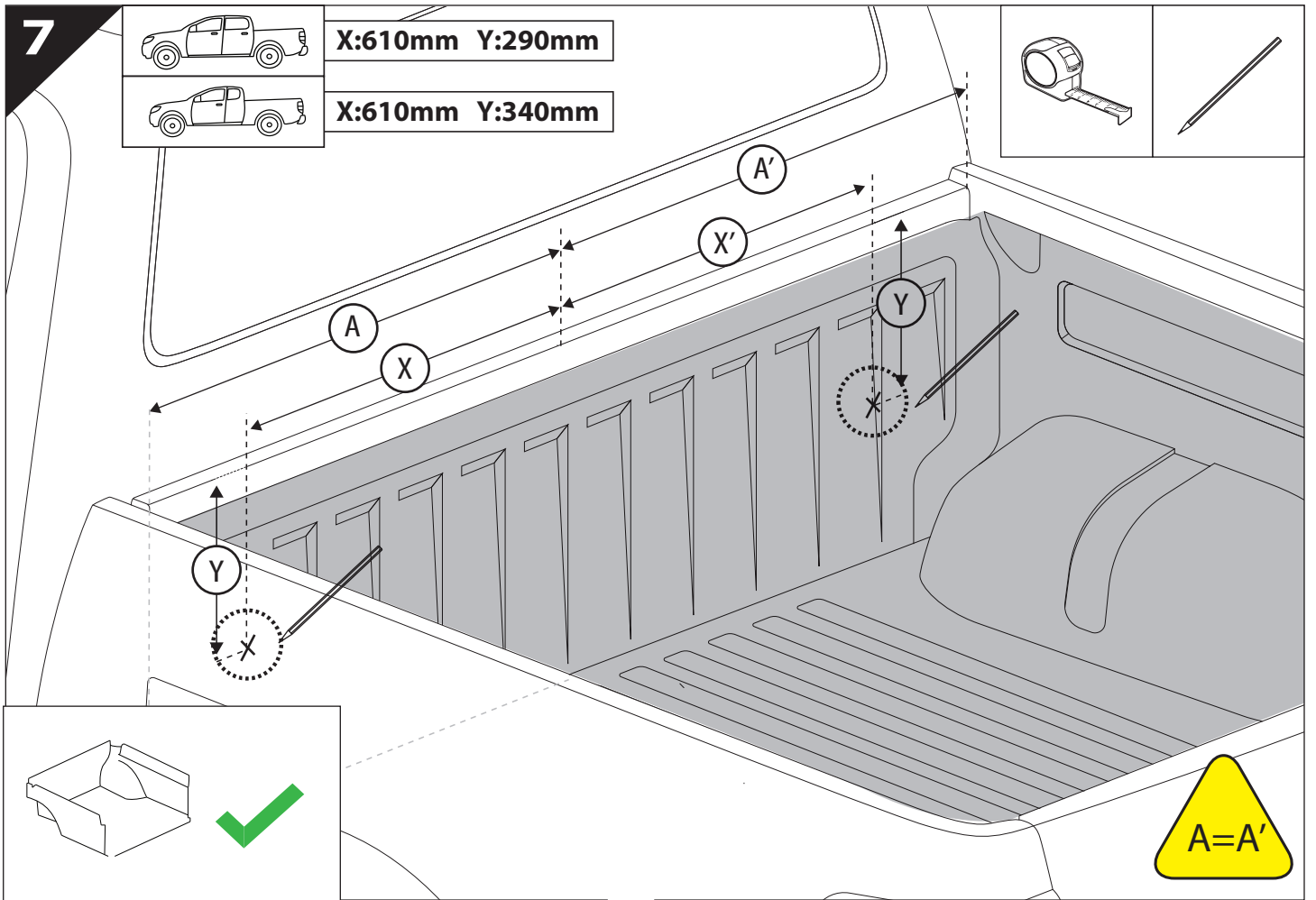
3

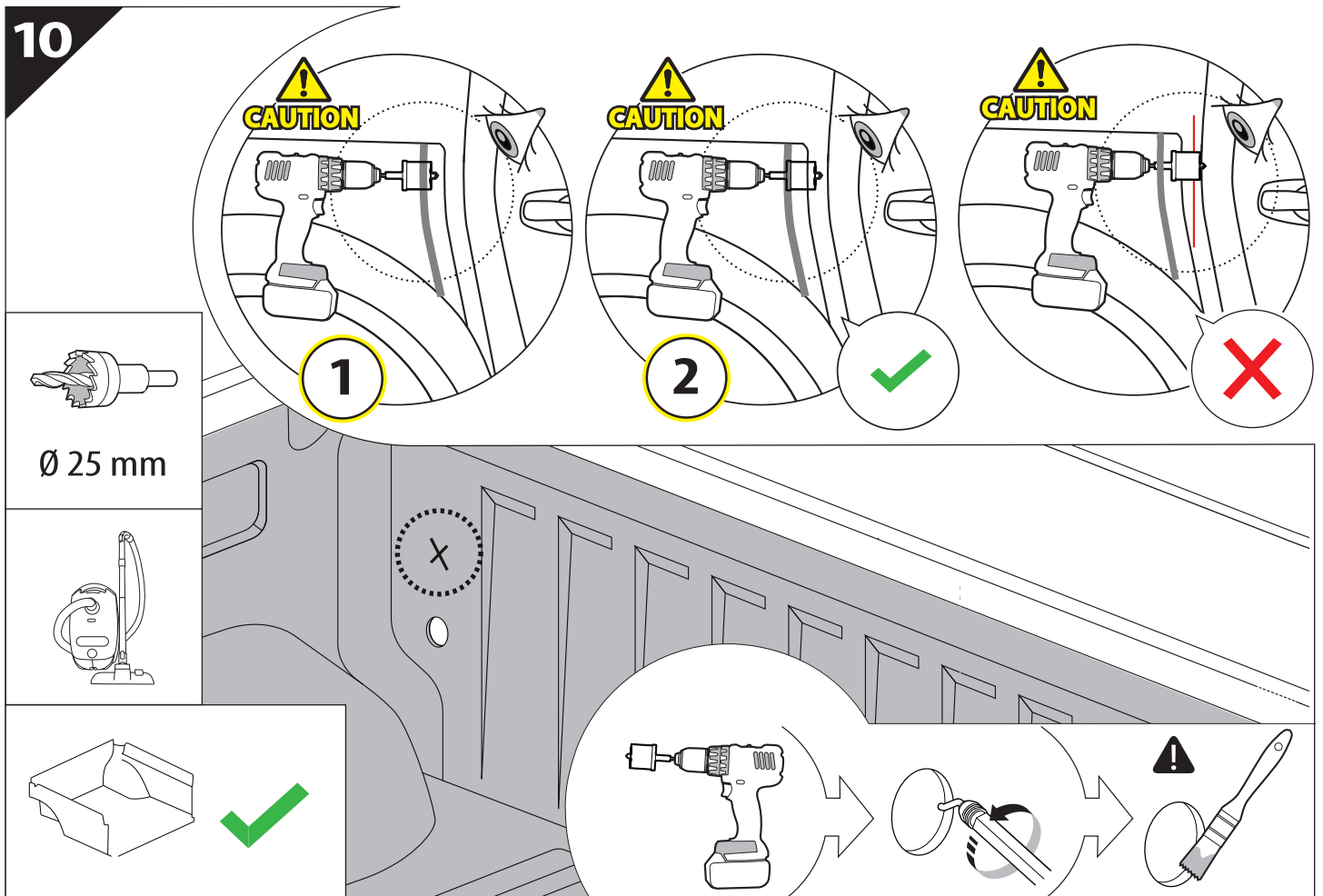
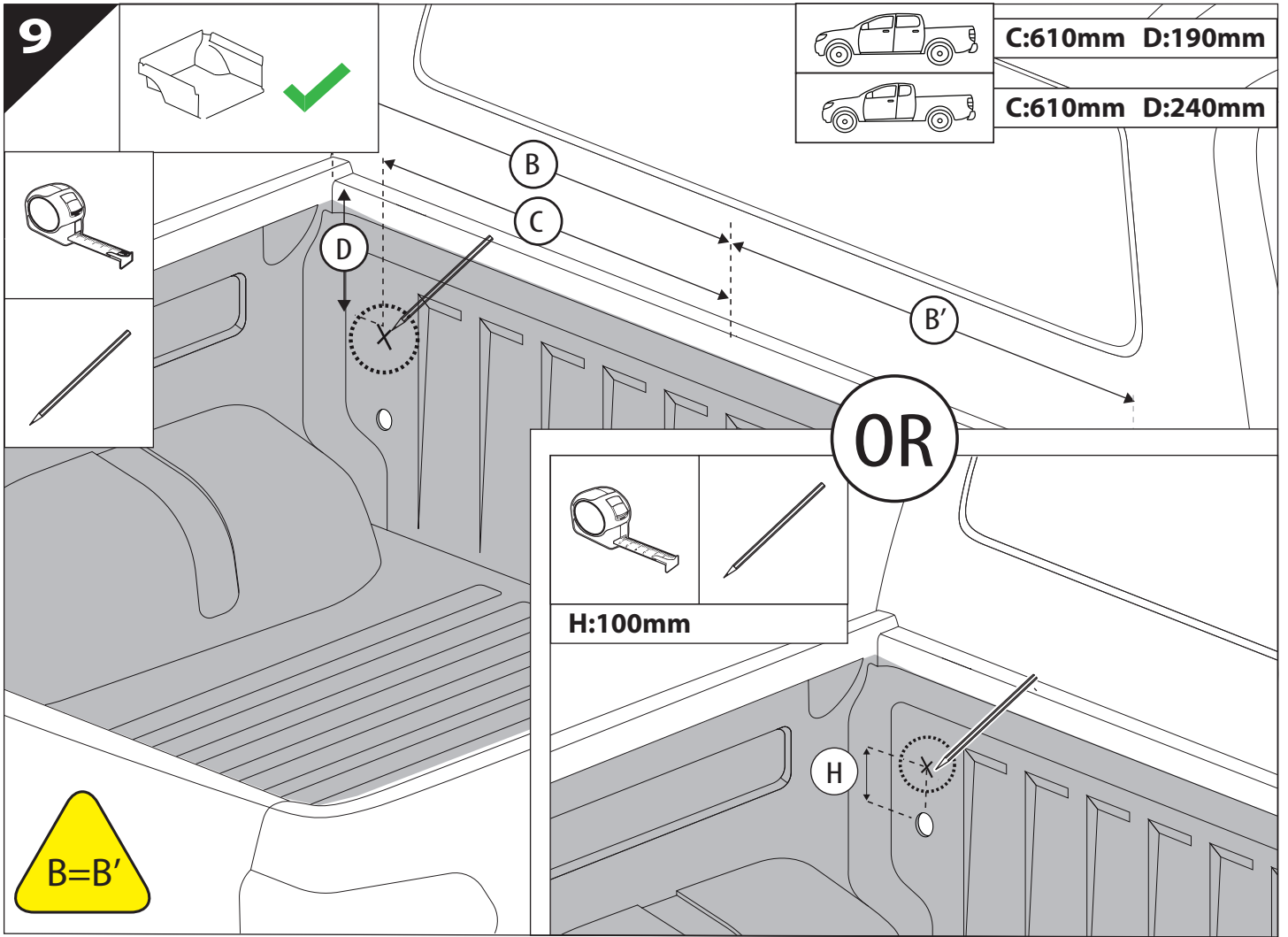


4

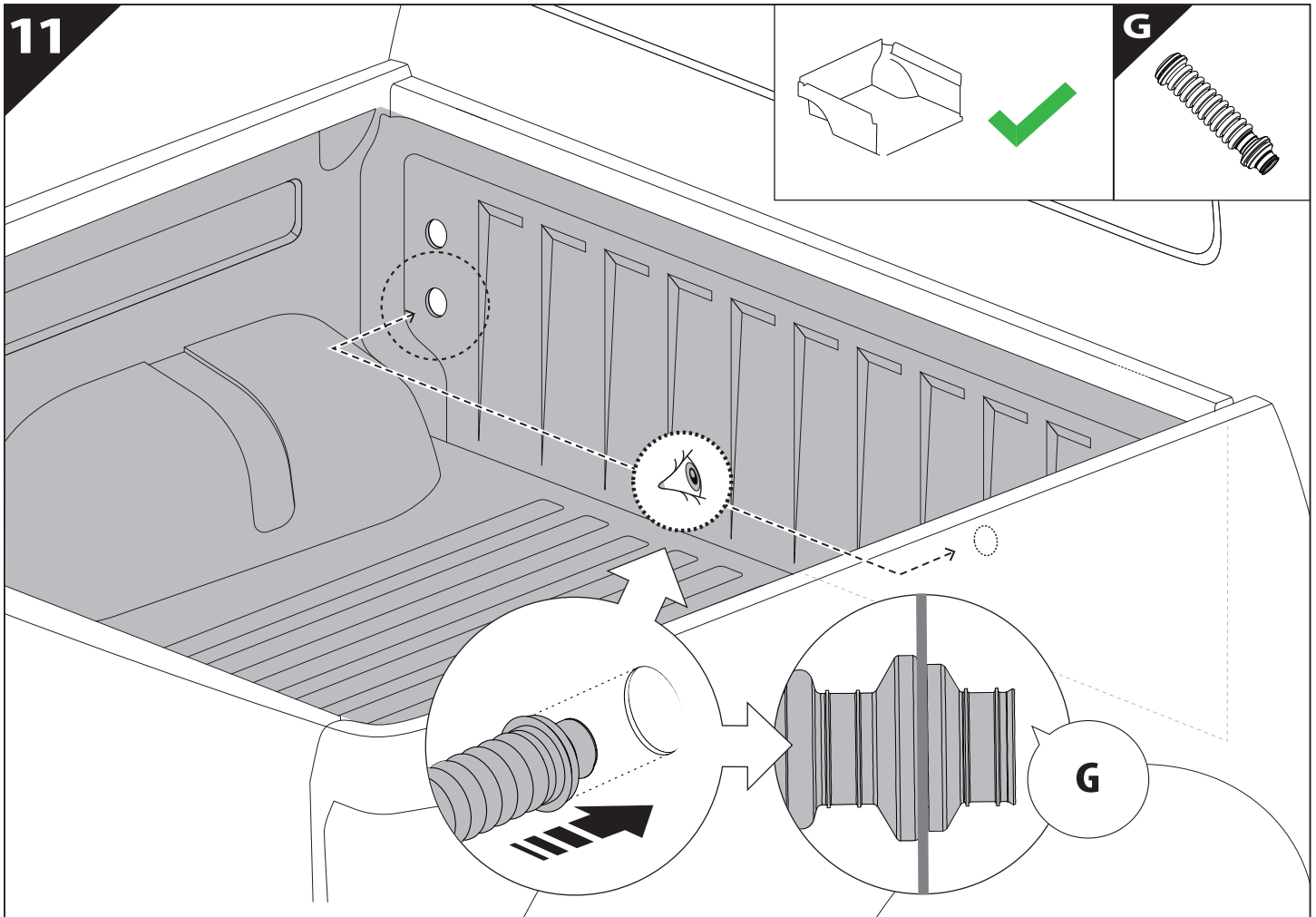






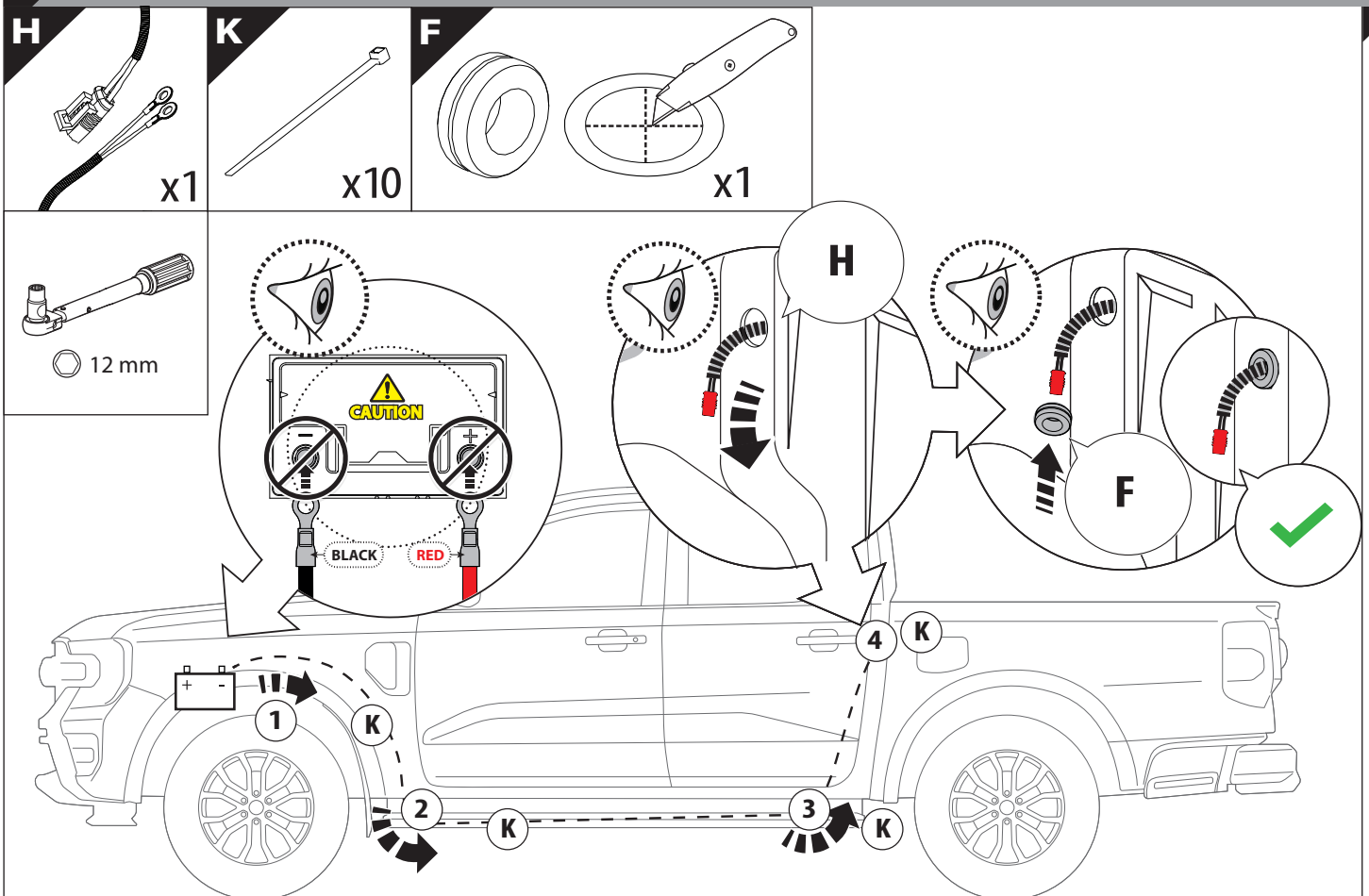


11

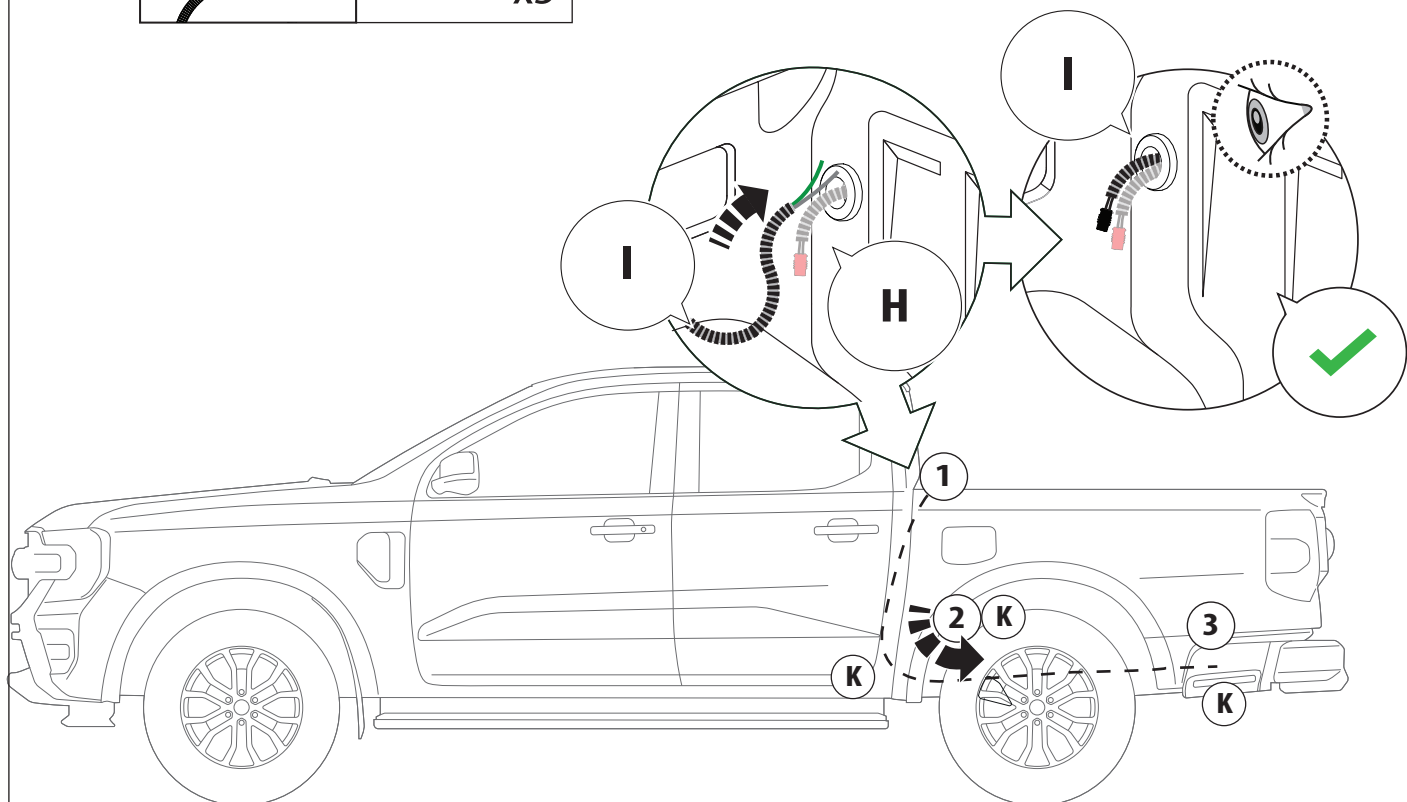
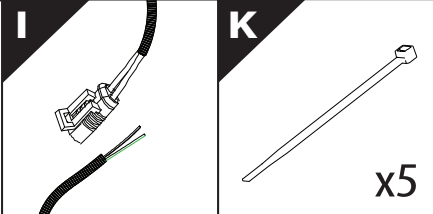


12

Only to be installed by authorized personnel



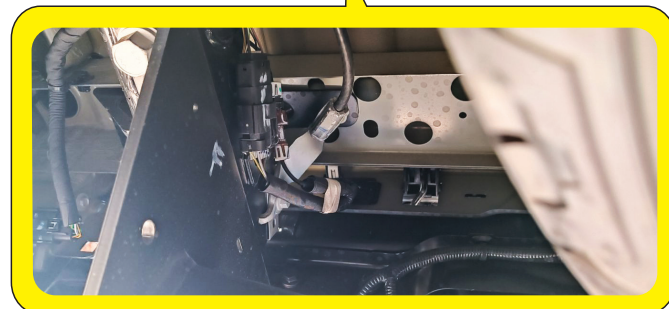
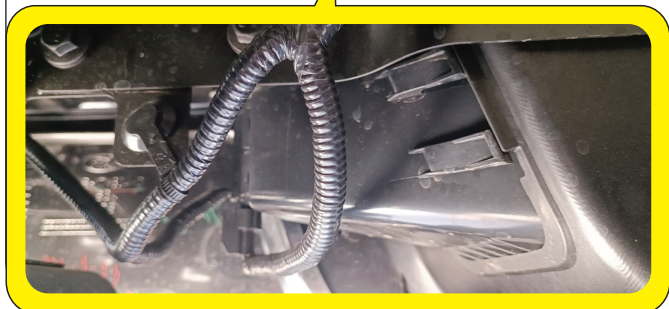
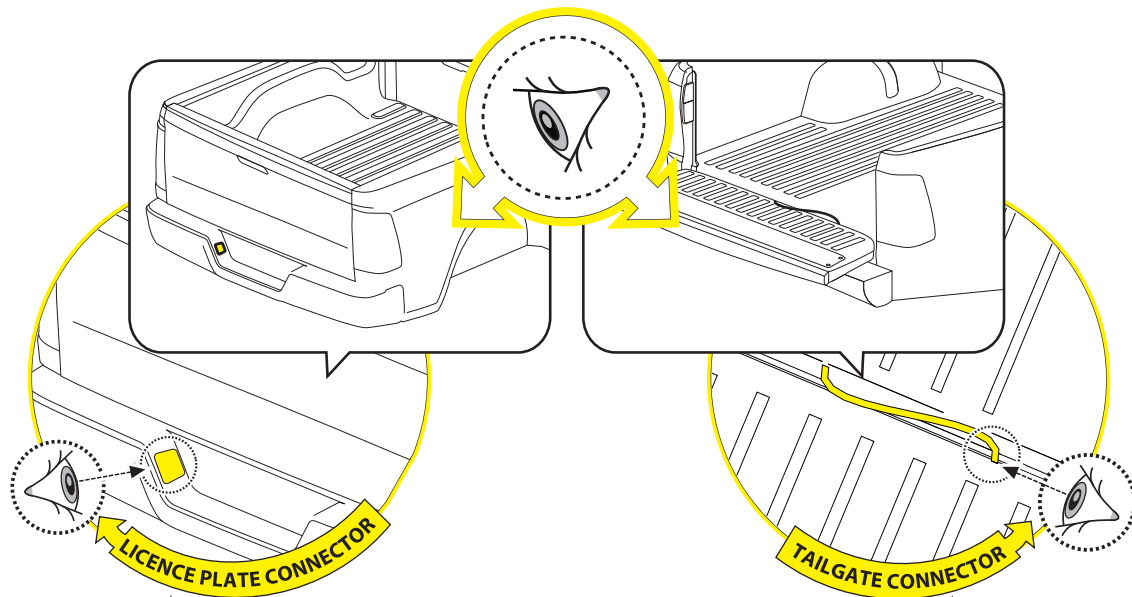
13



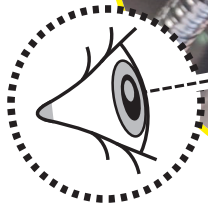
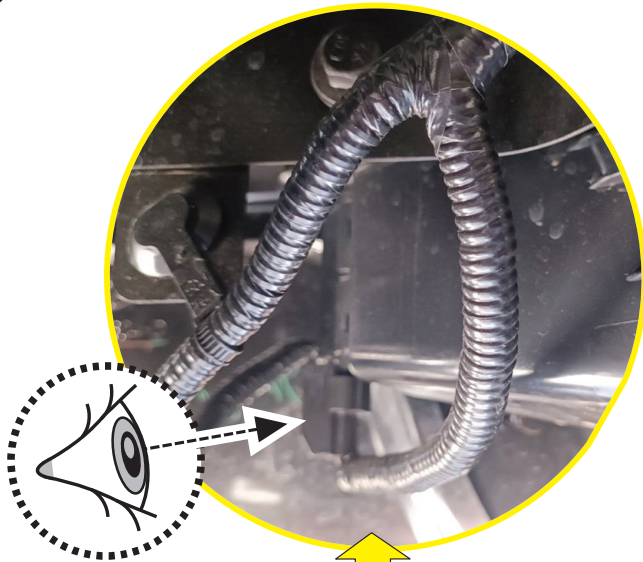
14



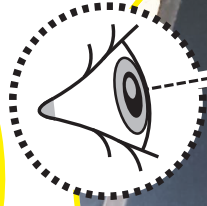
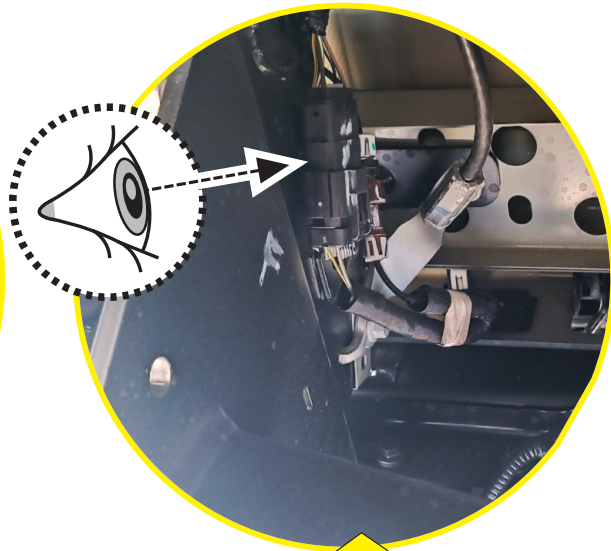
CAUTION: LIMITED, WILDTRAK, WILDTRAK X, PLATINUM



14.1



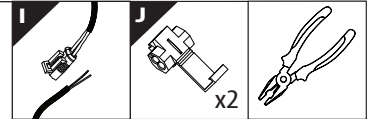
LICENCE PLATE CONNECTOR



TAILGATE CONNECTOR

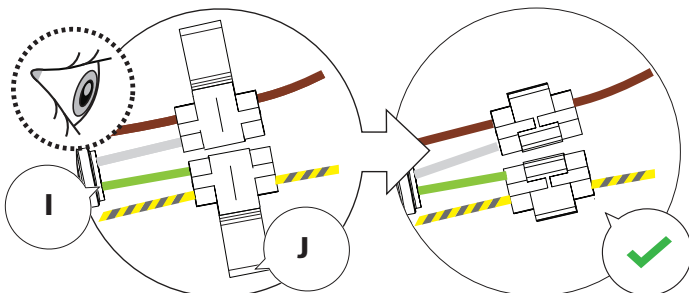
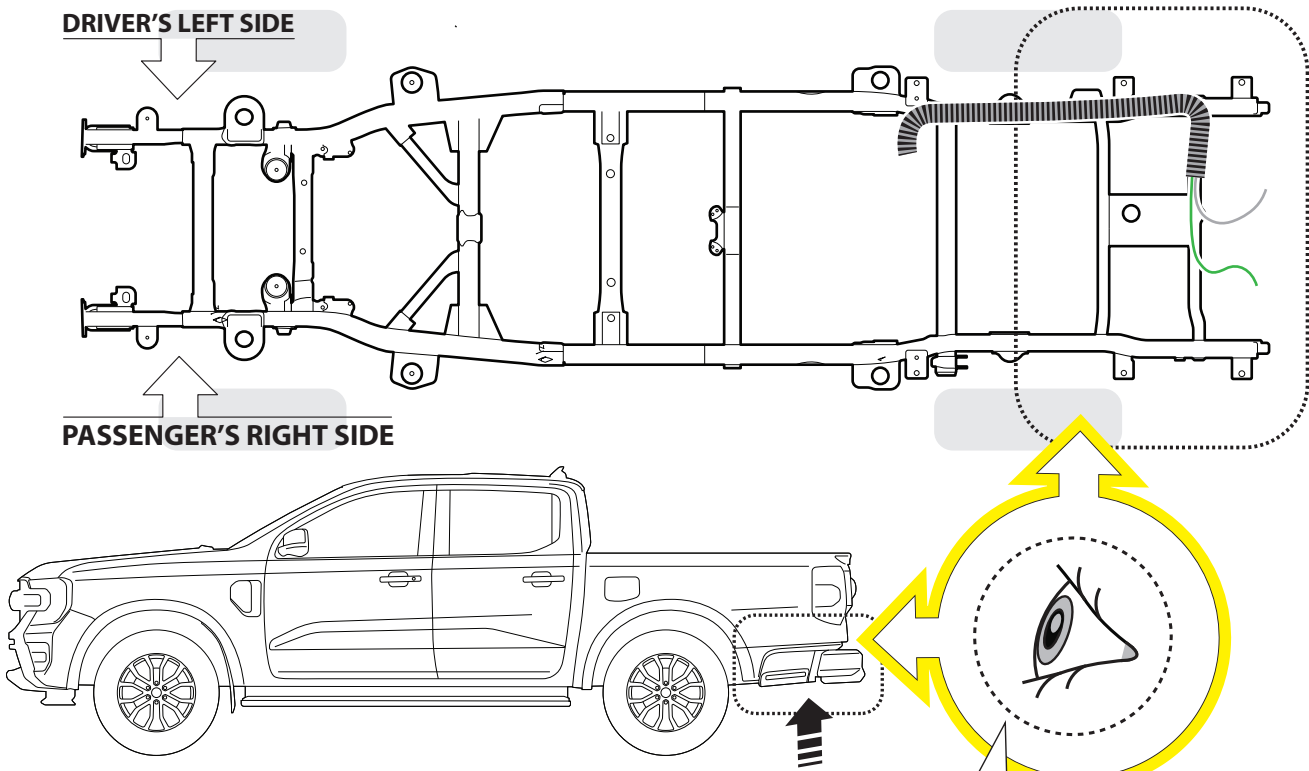
14.2

BOTTOM VIEW



DRIVER'S LEFT SIDE

PASSENGER'S RIGHT SIDE

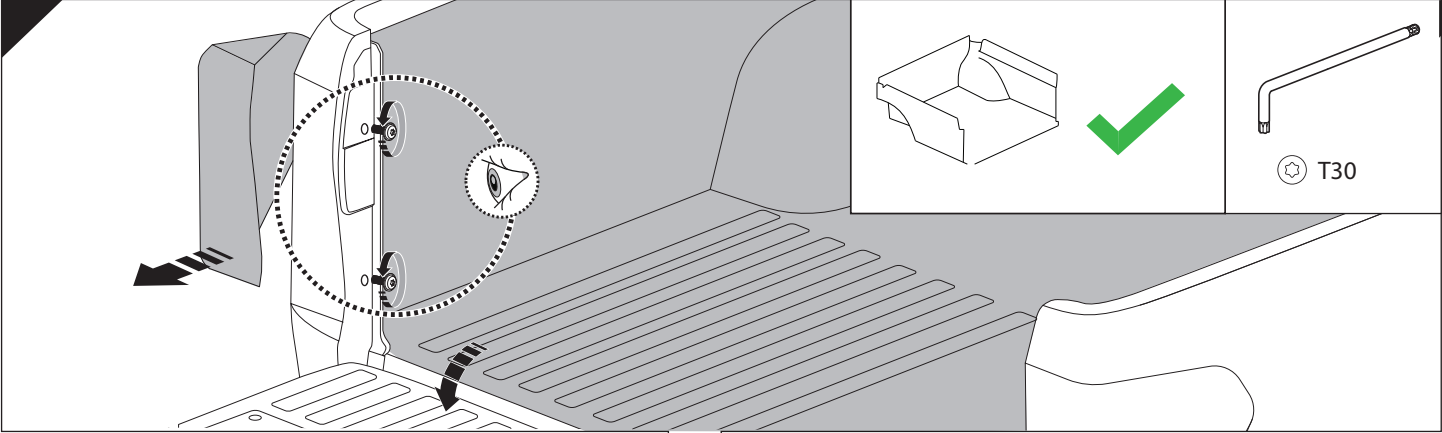


	CAR		TESSERA ROLL+
BEAM		↔	
LICENCE PLATE 2 PIN LIGHT CONNECTOR			
STOP		↔	
TAILGATE CONNECTOR			

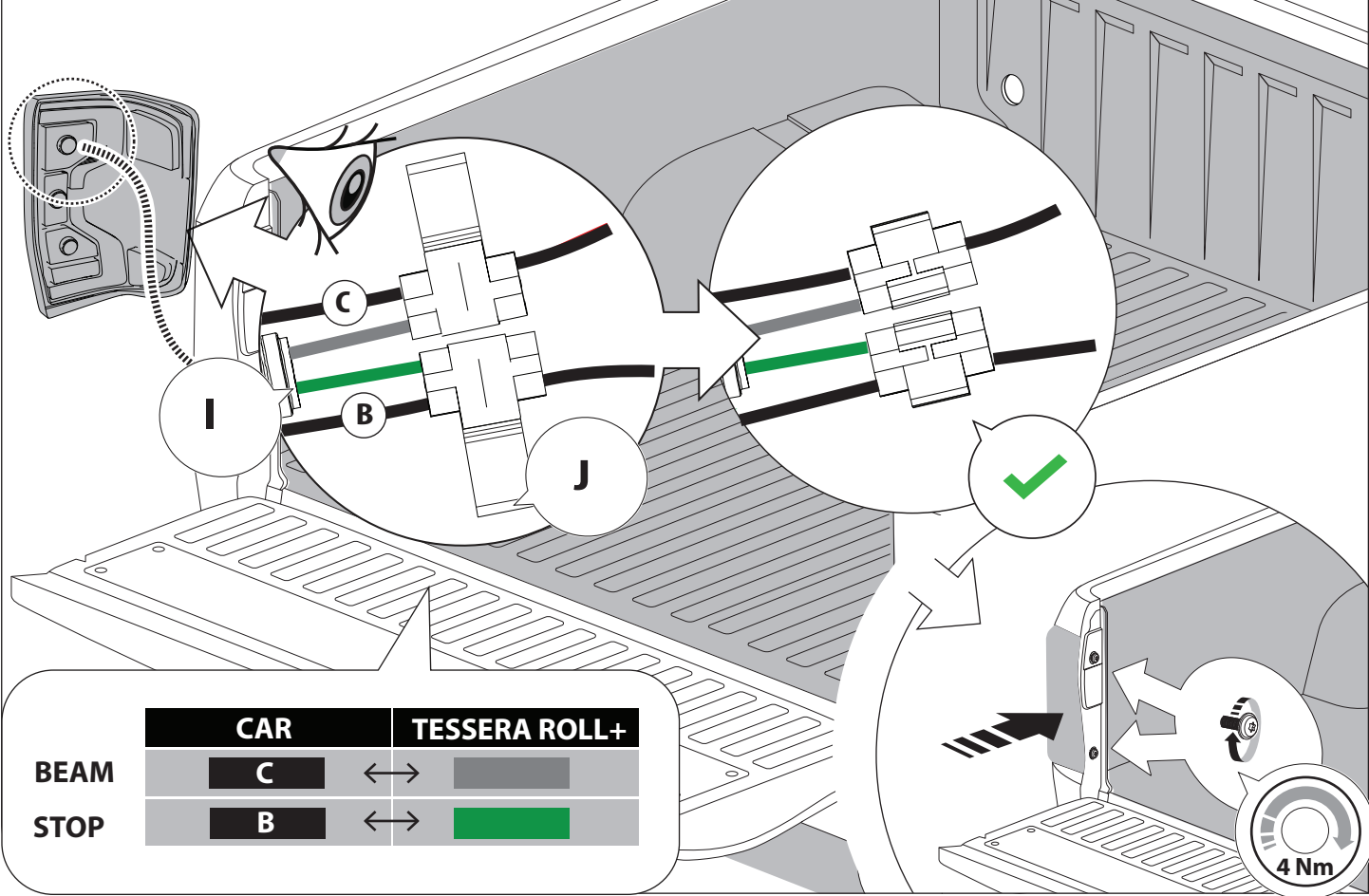
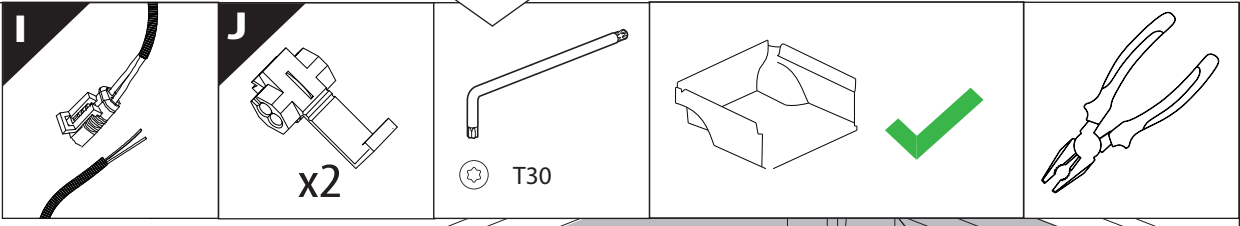
15



CAUTION: XL, XLT, TREMOR

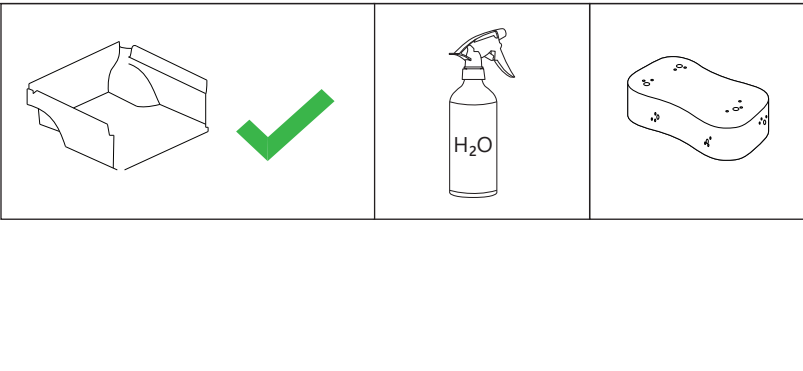
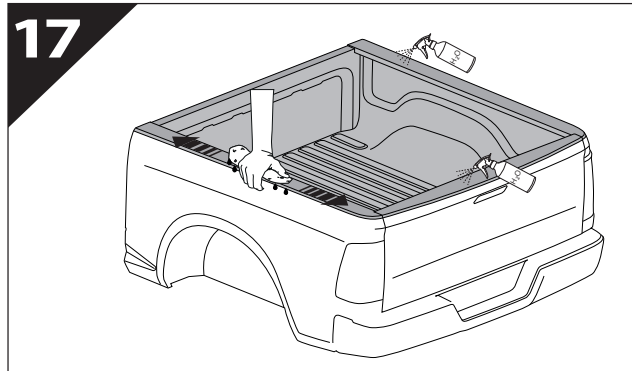


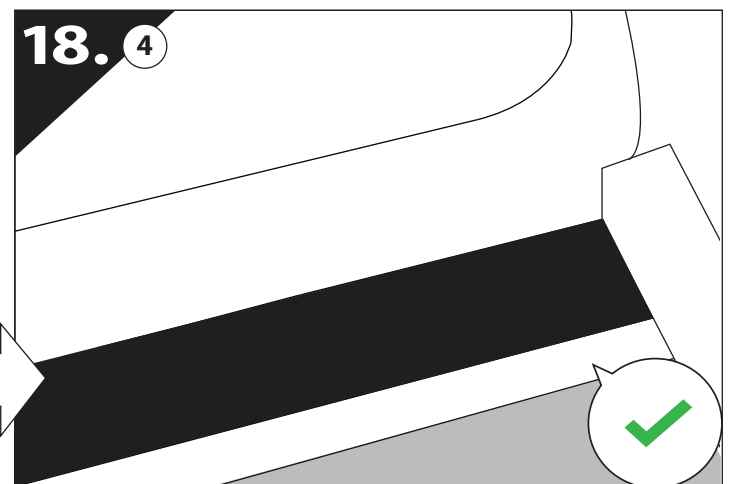
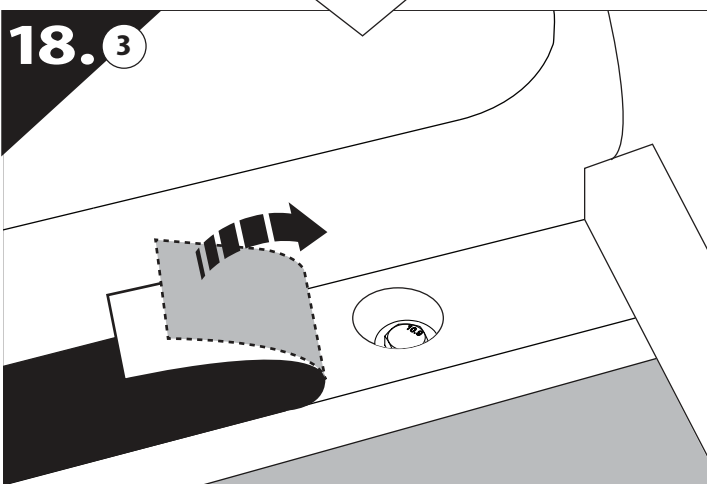
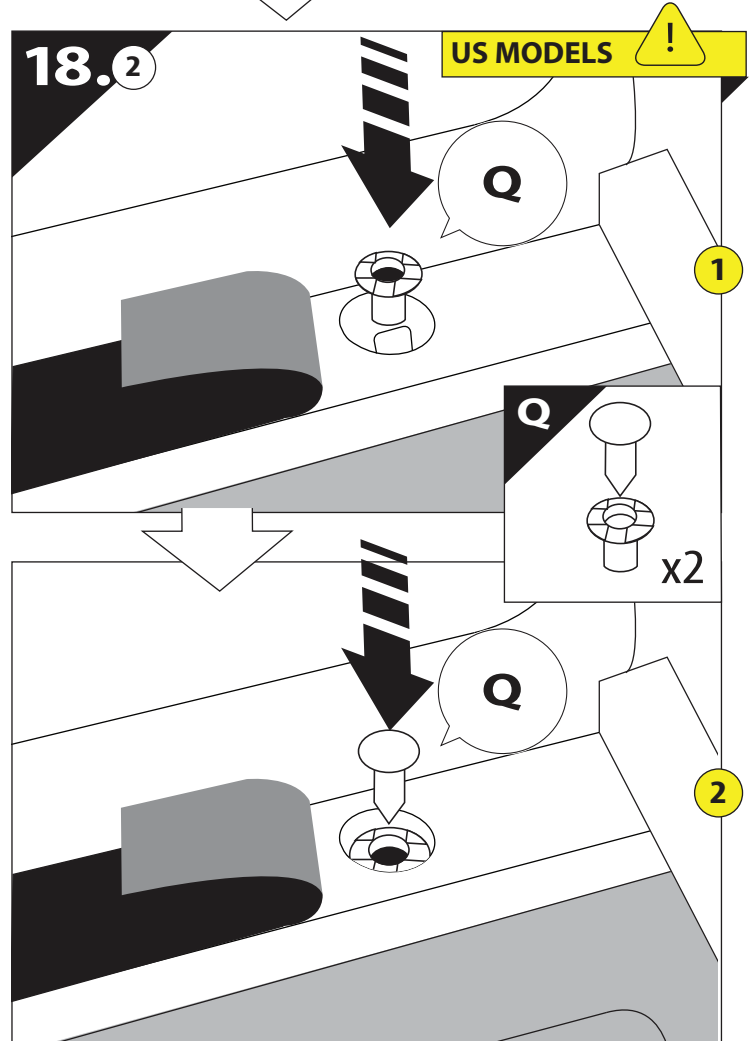
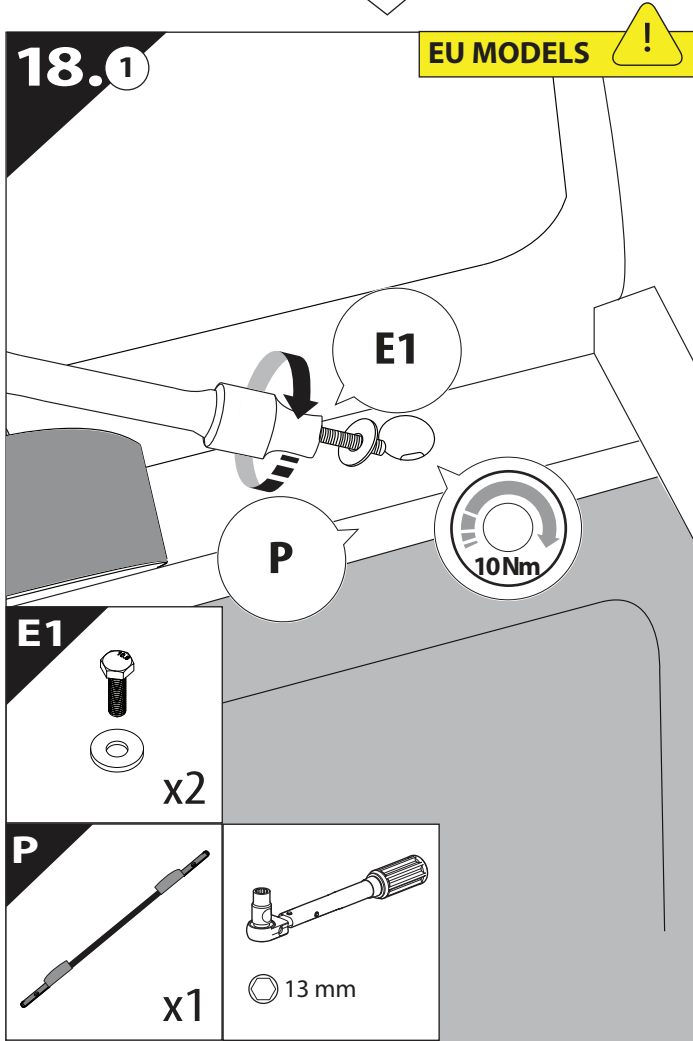
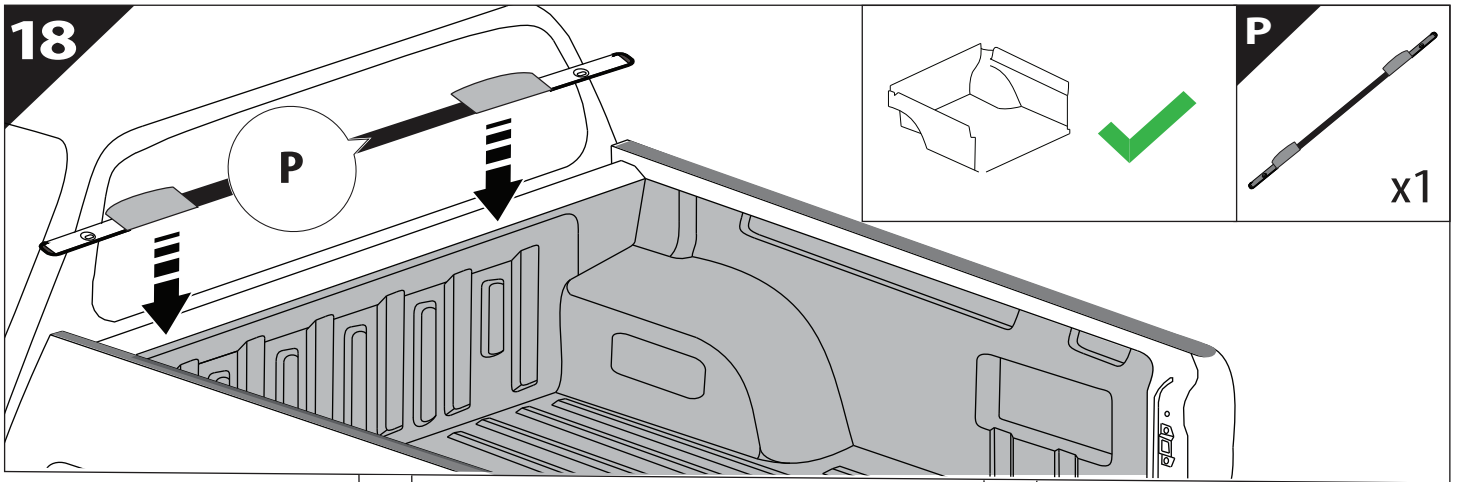
16



	CAR		TESSERA ROLL+
BEAM	C	↔	■
STOP	B	↔	■

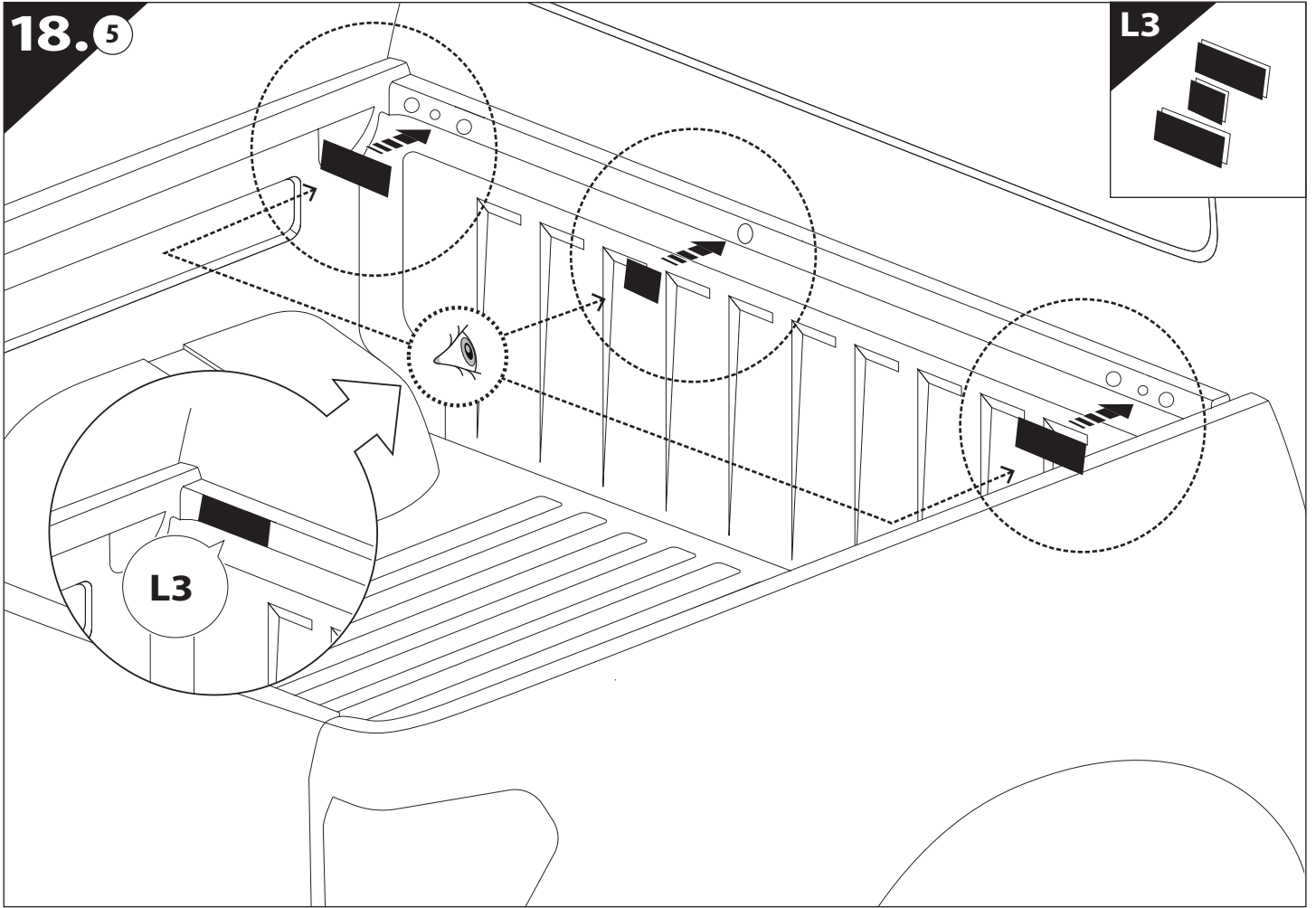
17

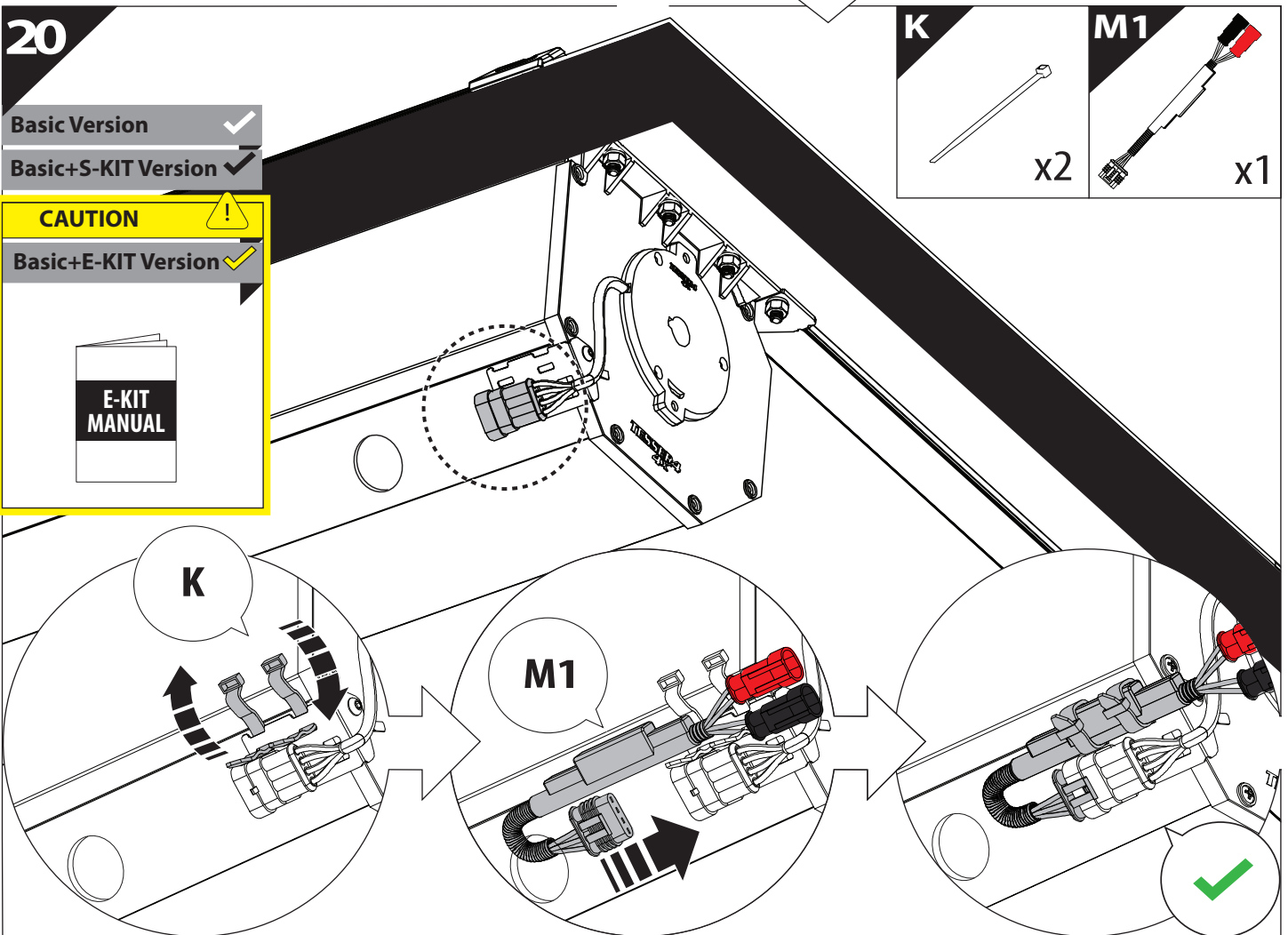
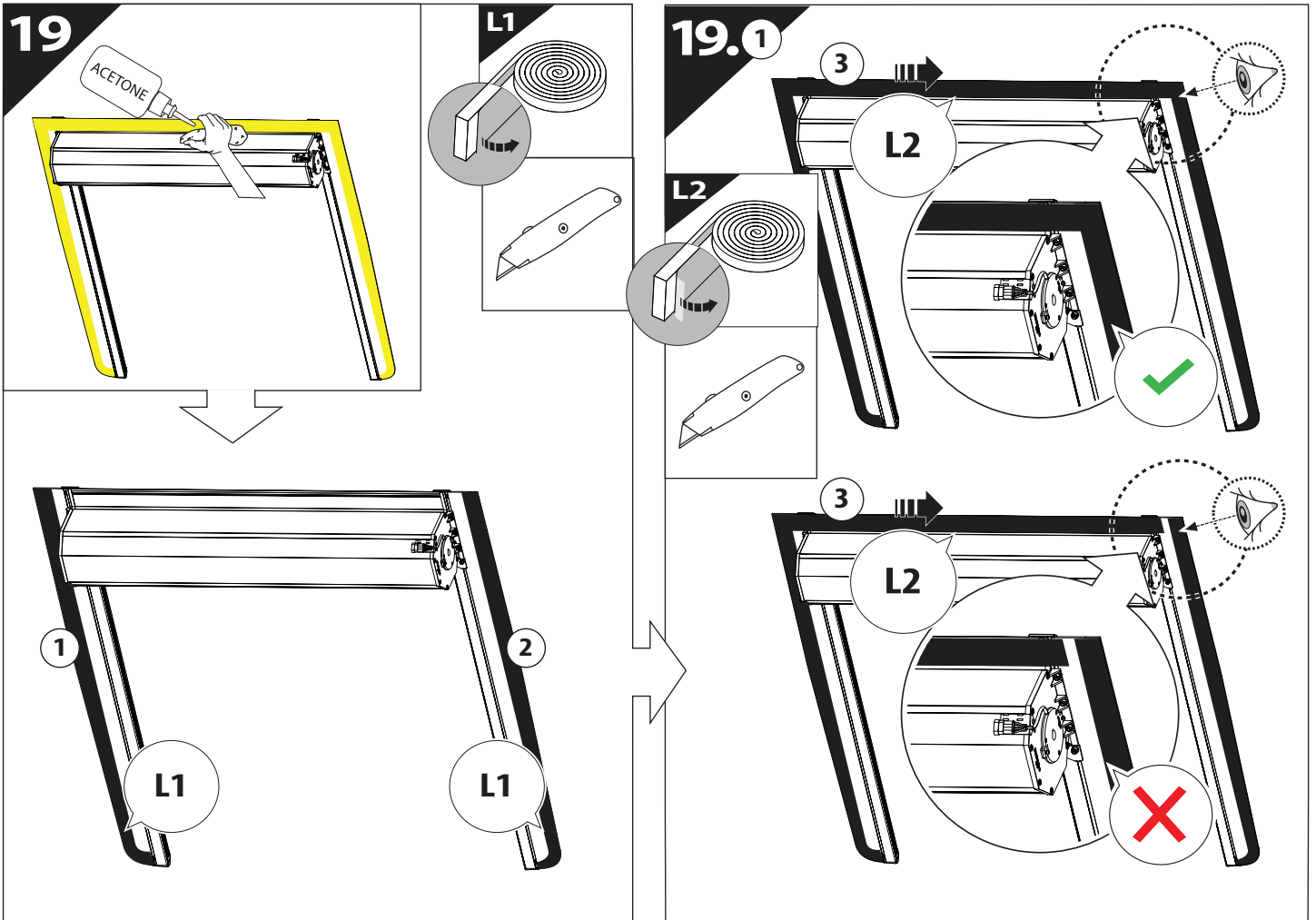


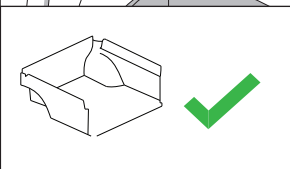
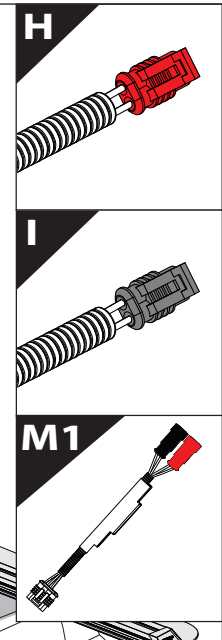
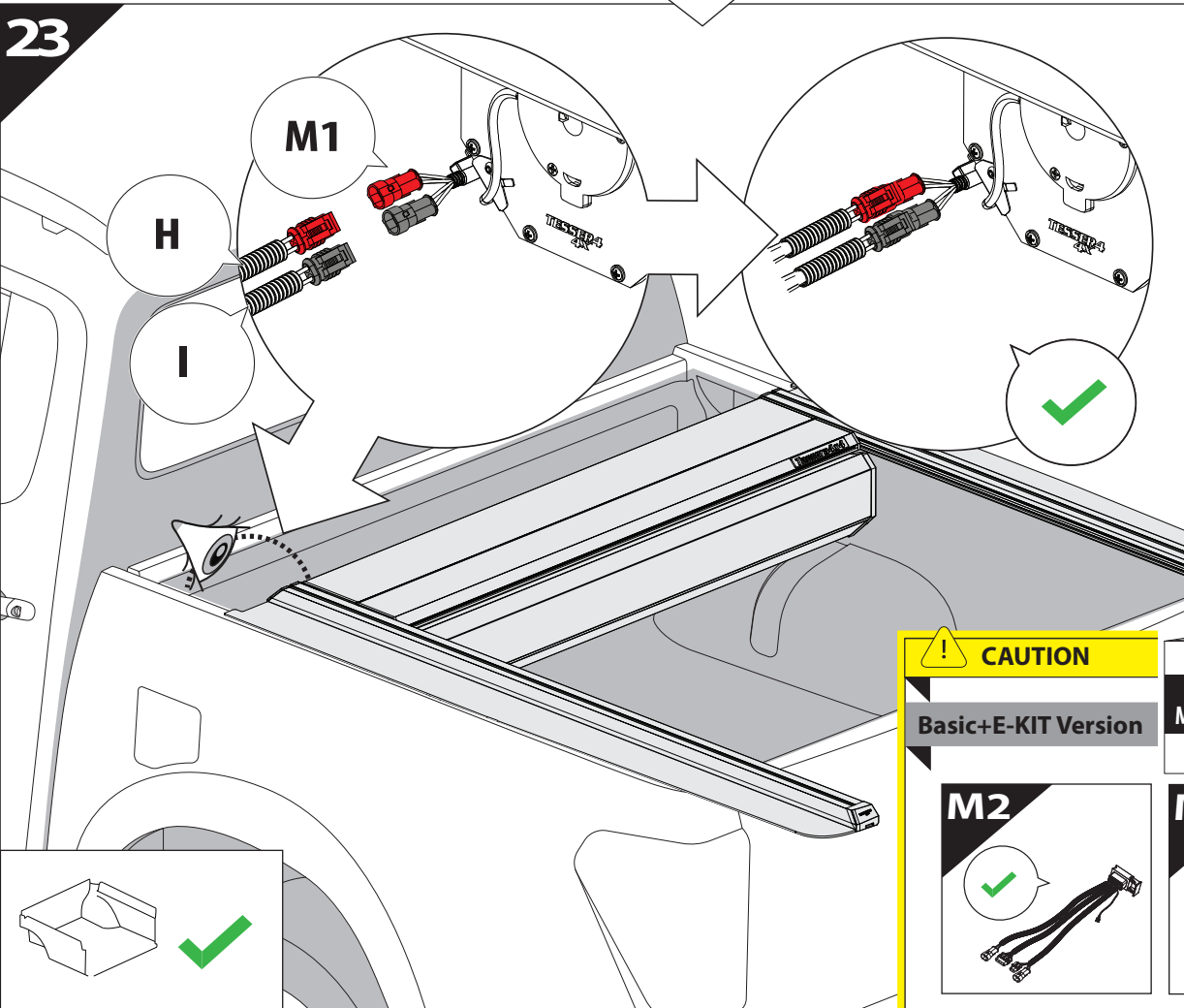
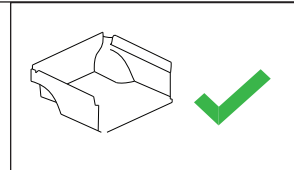
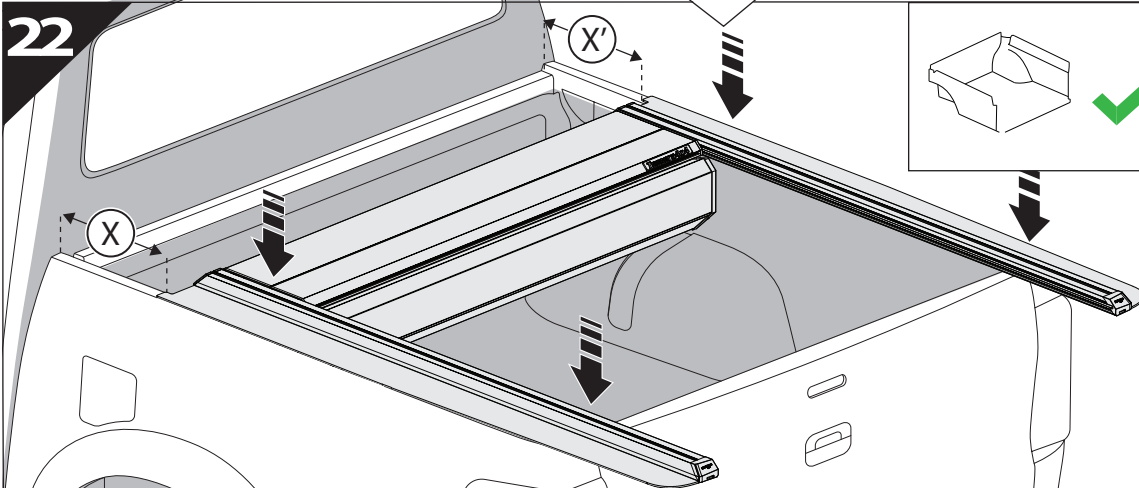
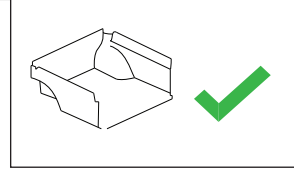
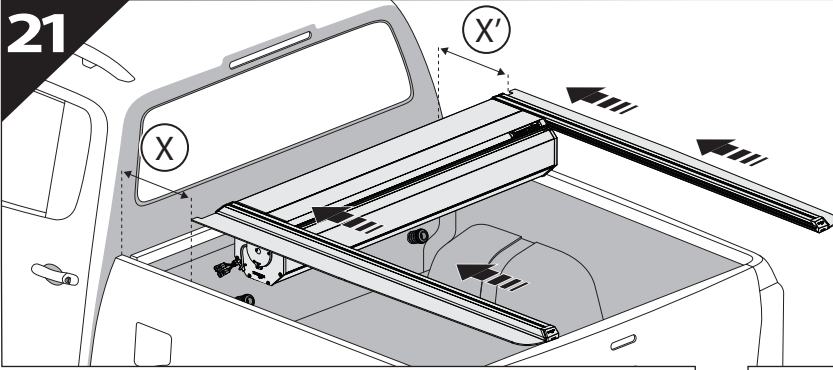


18.5

L3

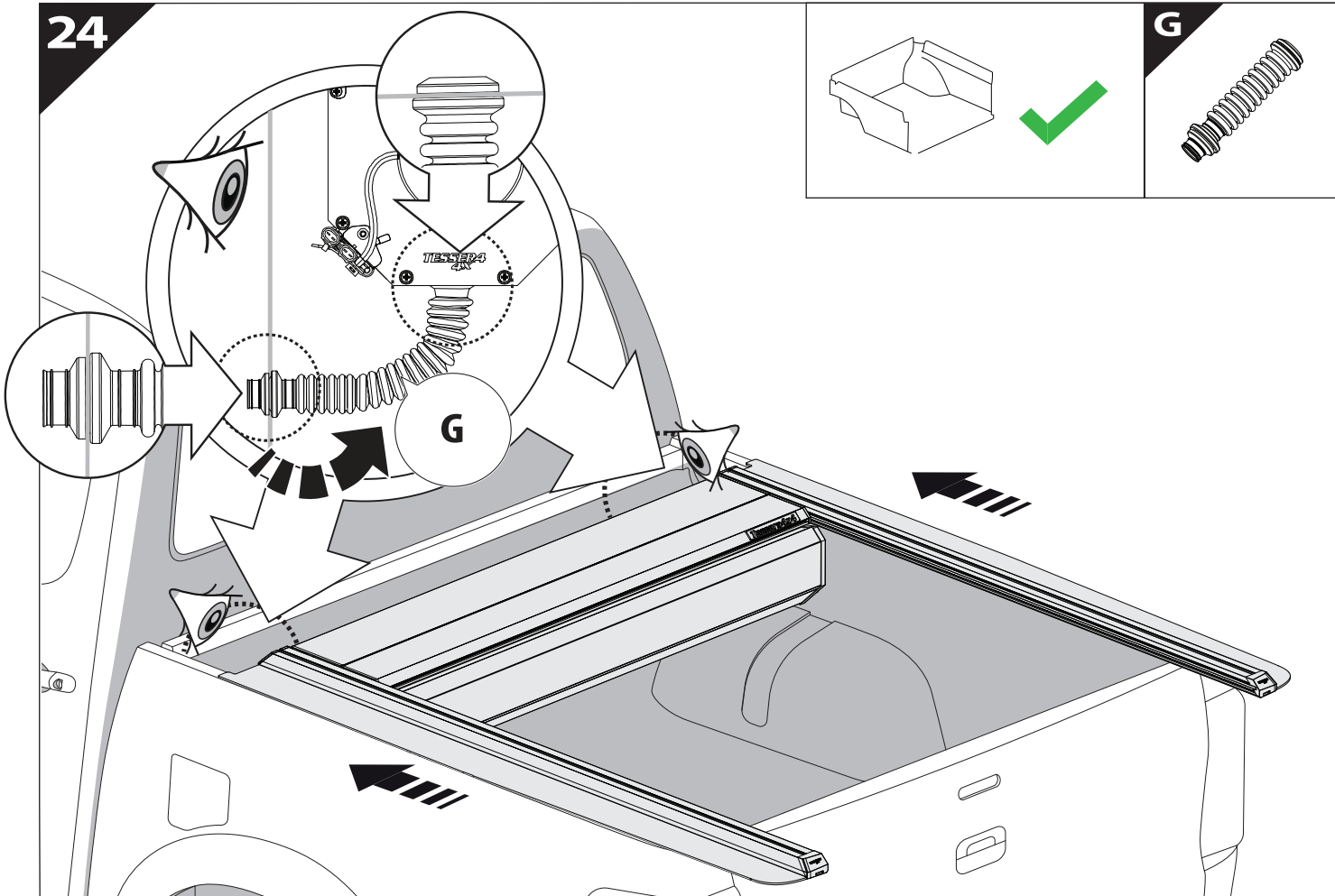




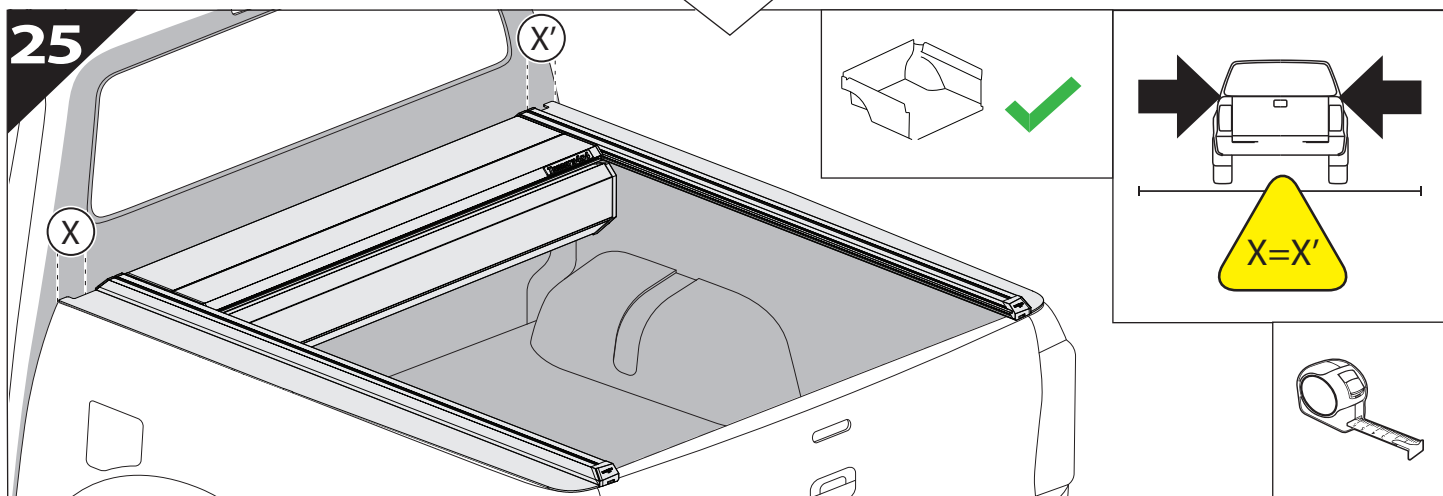


CAUTION	
Basic+E-KIT Version	
E-KIT MANUAL	
M2 ✓ 	M1 ✗

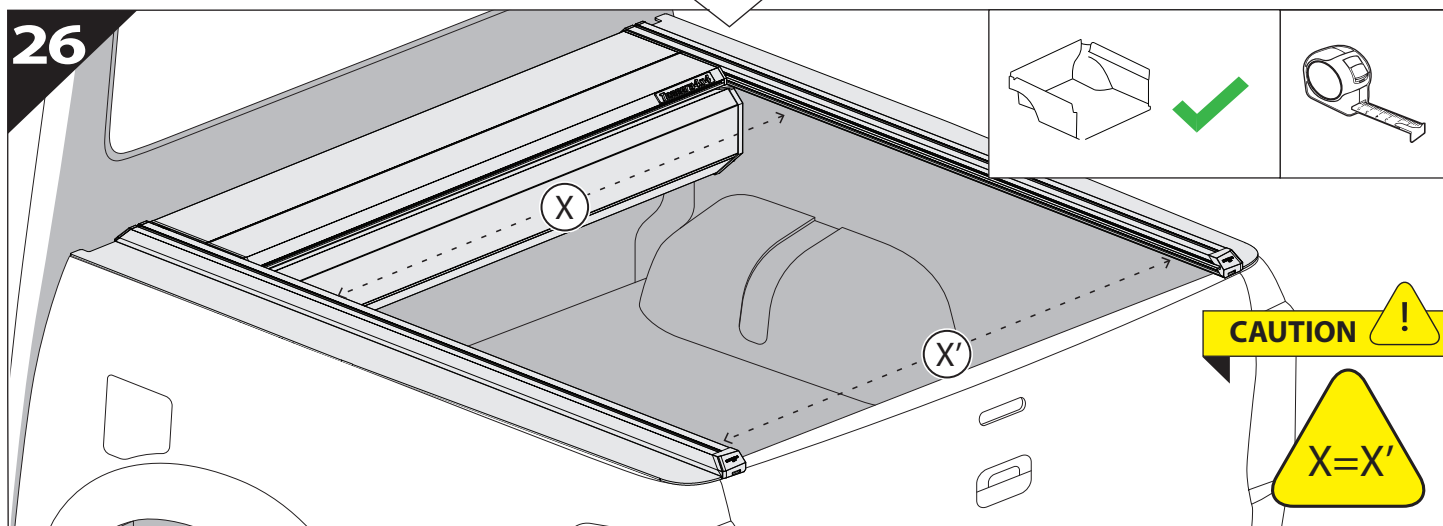
24

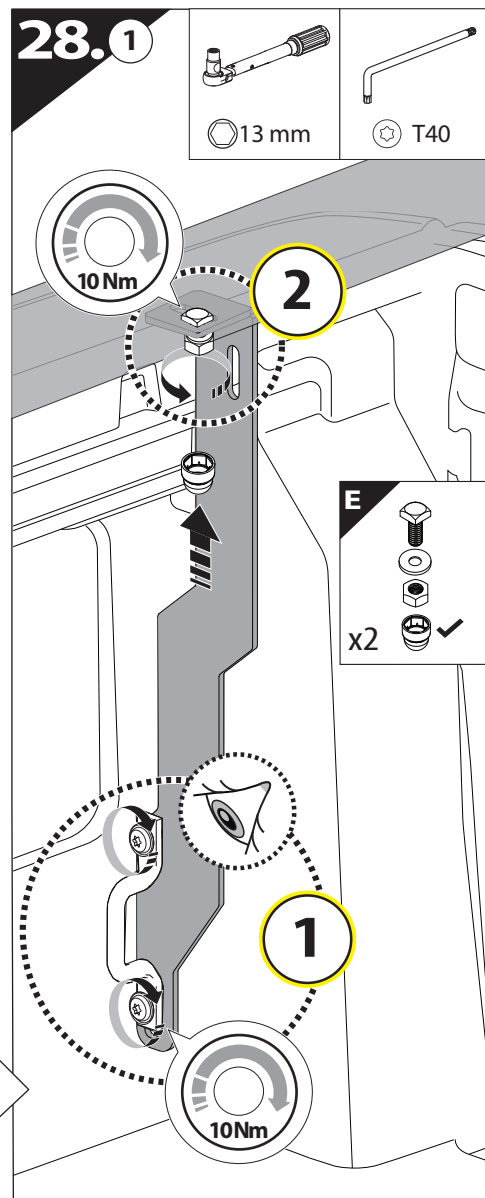
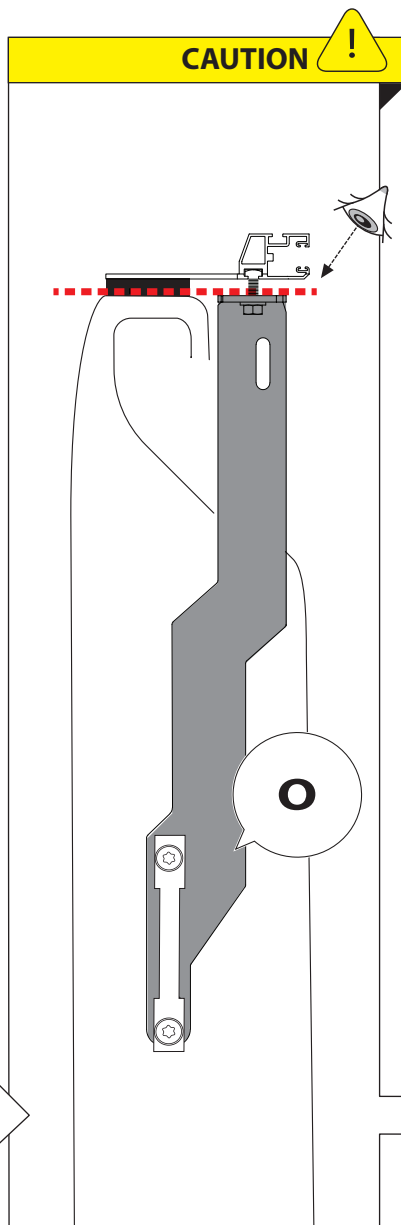
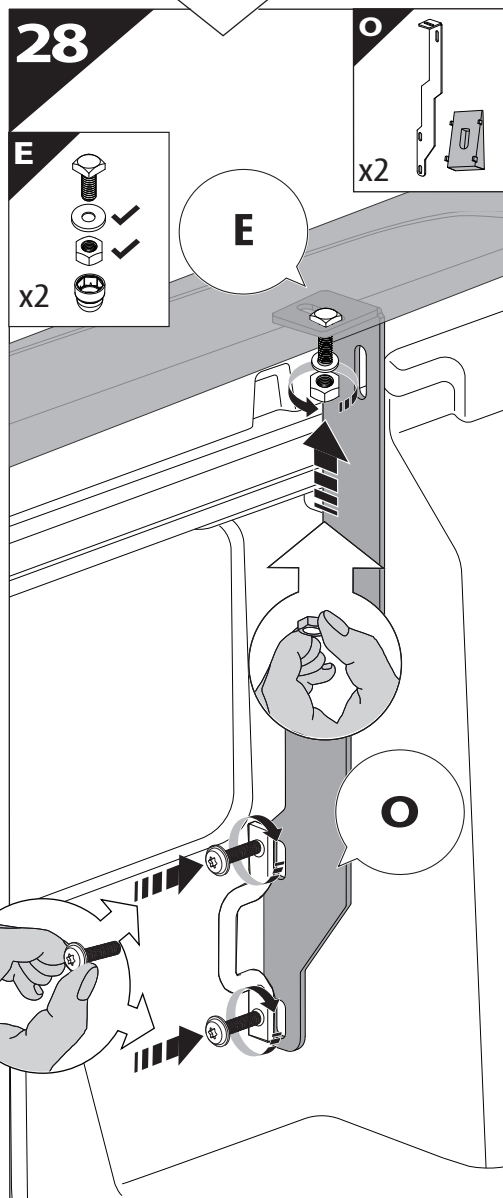
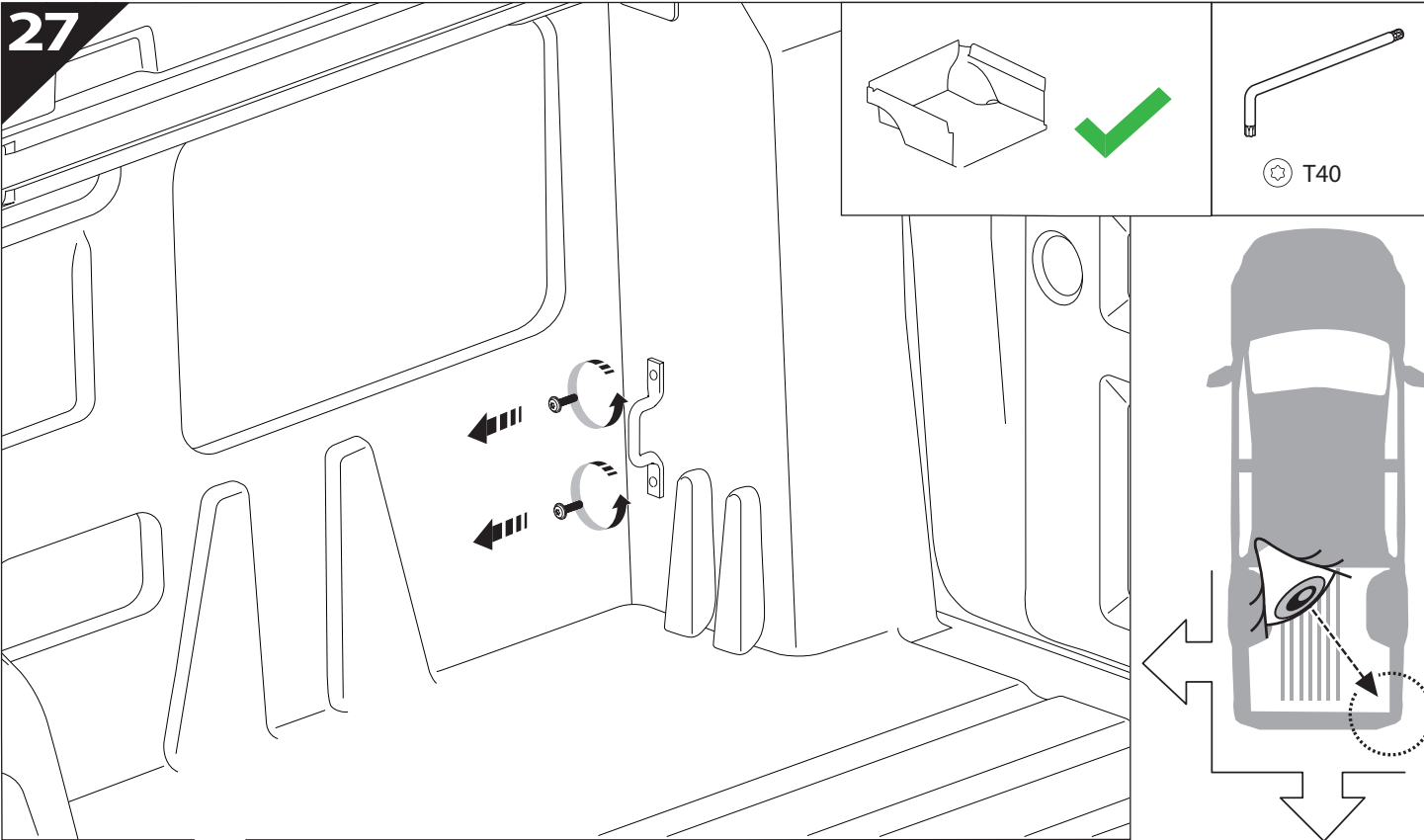


25



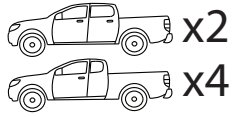
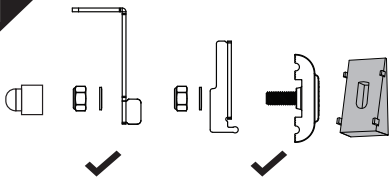
26



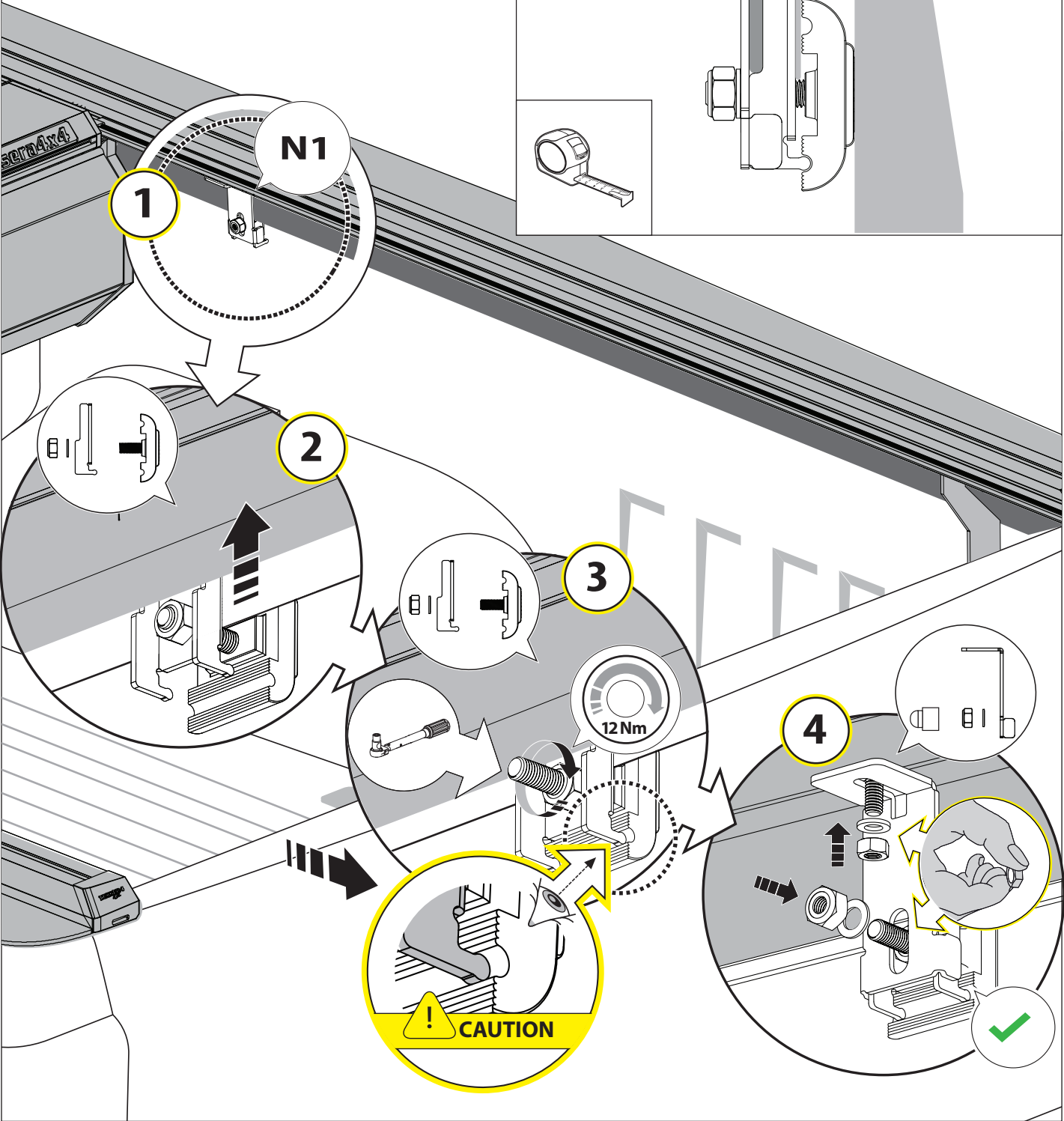
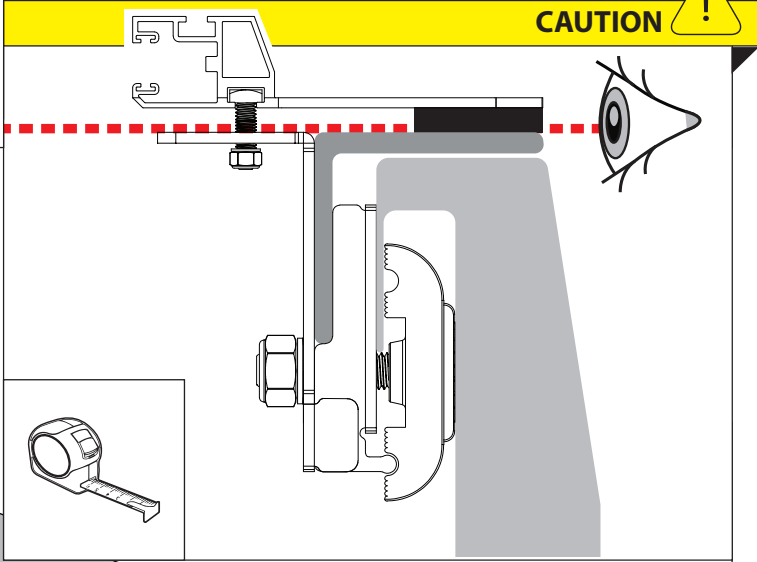
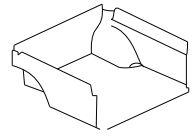
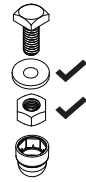




N1



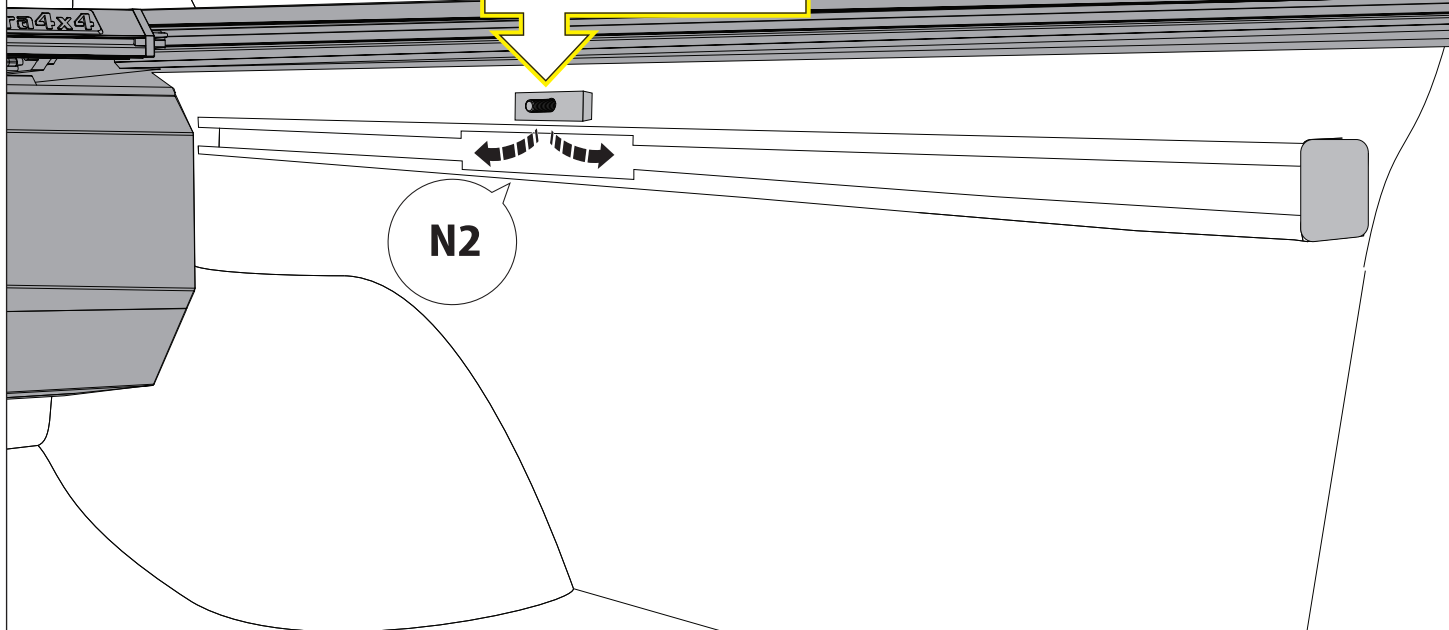
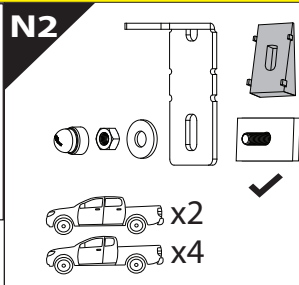
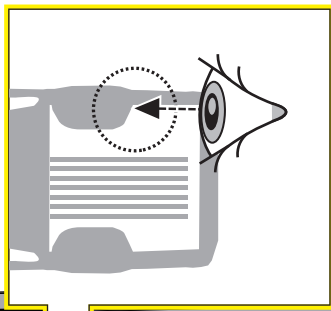
E



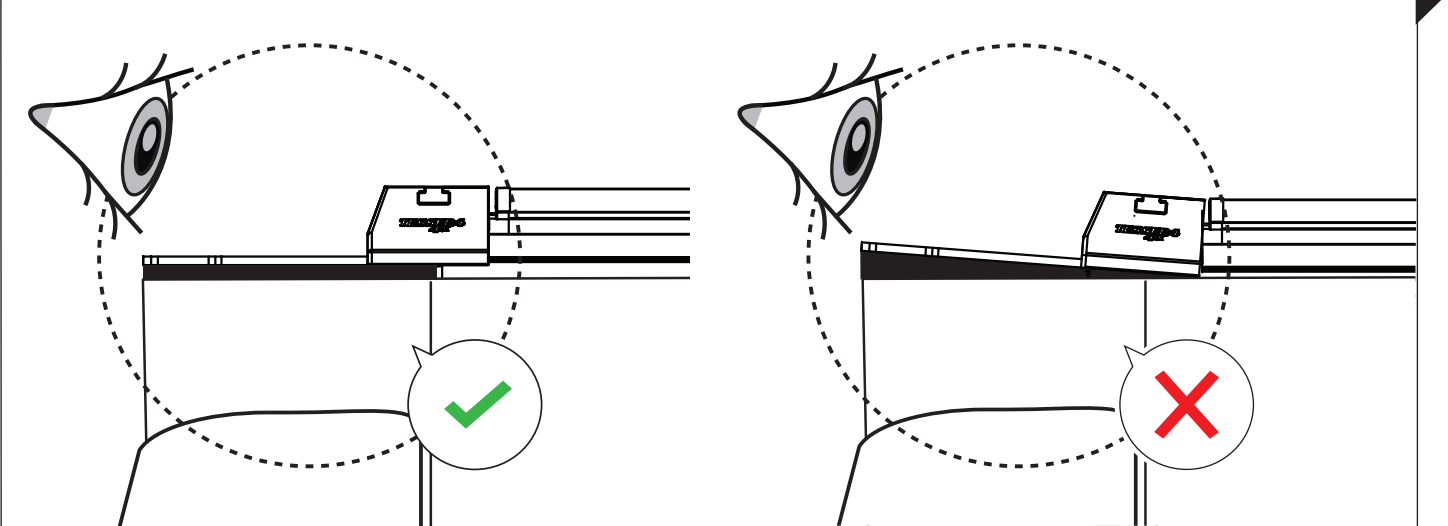
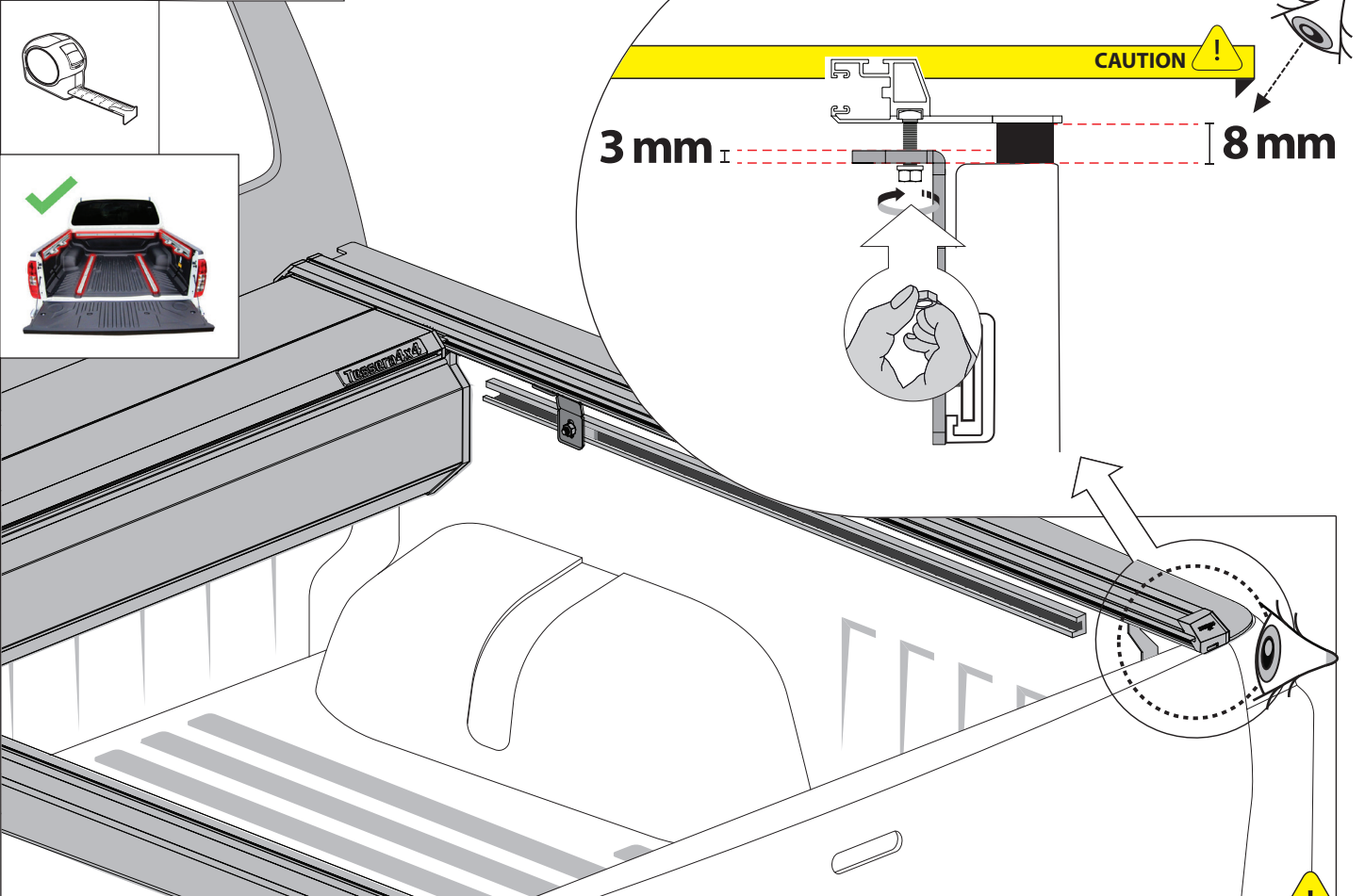
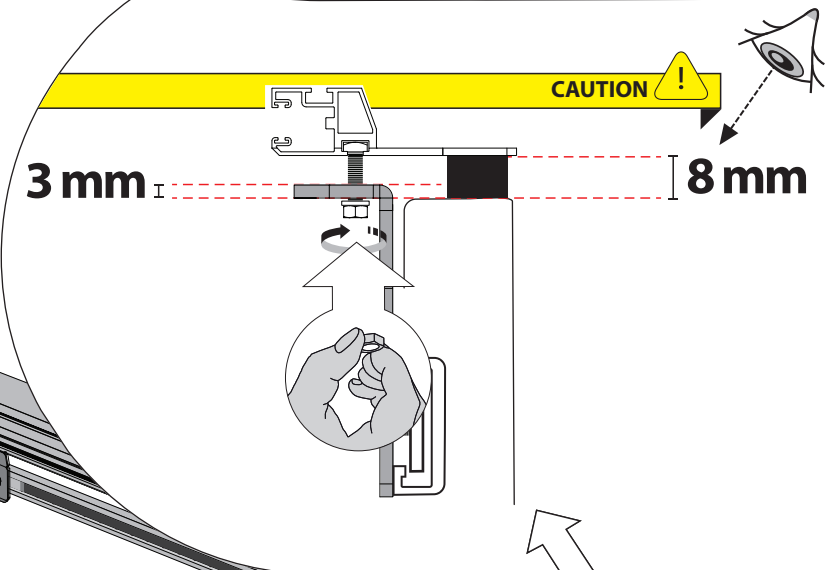
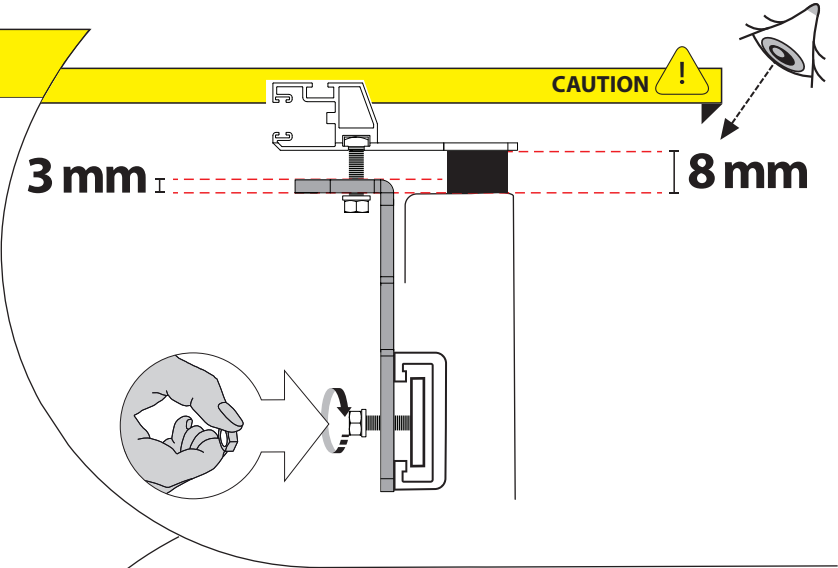
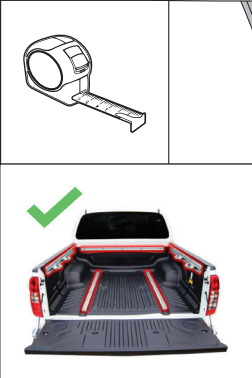
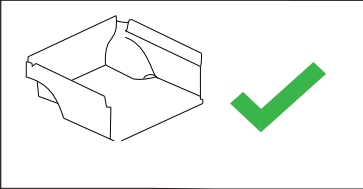
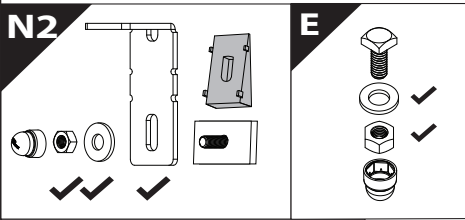
29 A

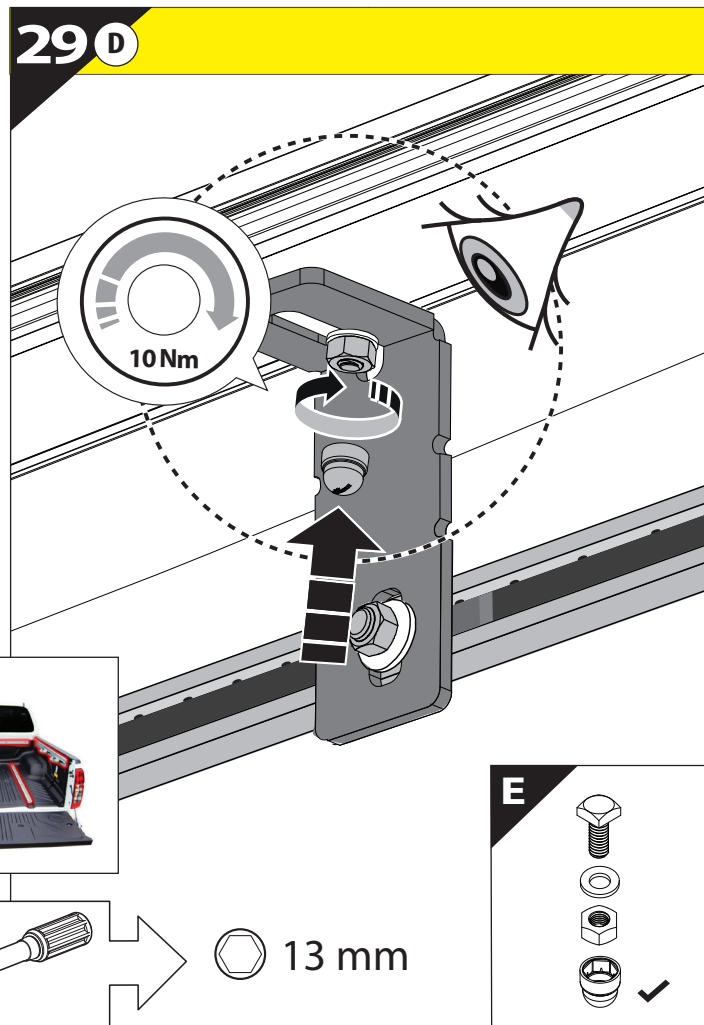
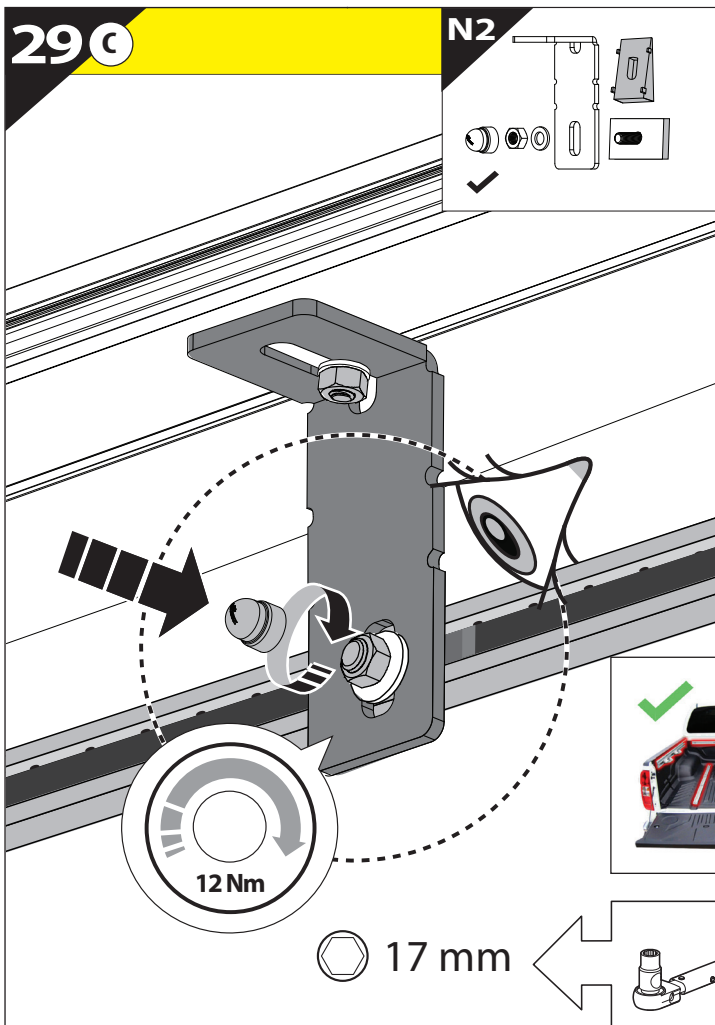


WITH C - CHANNELS

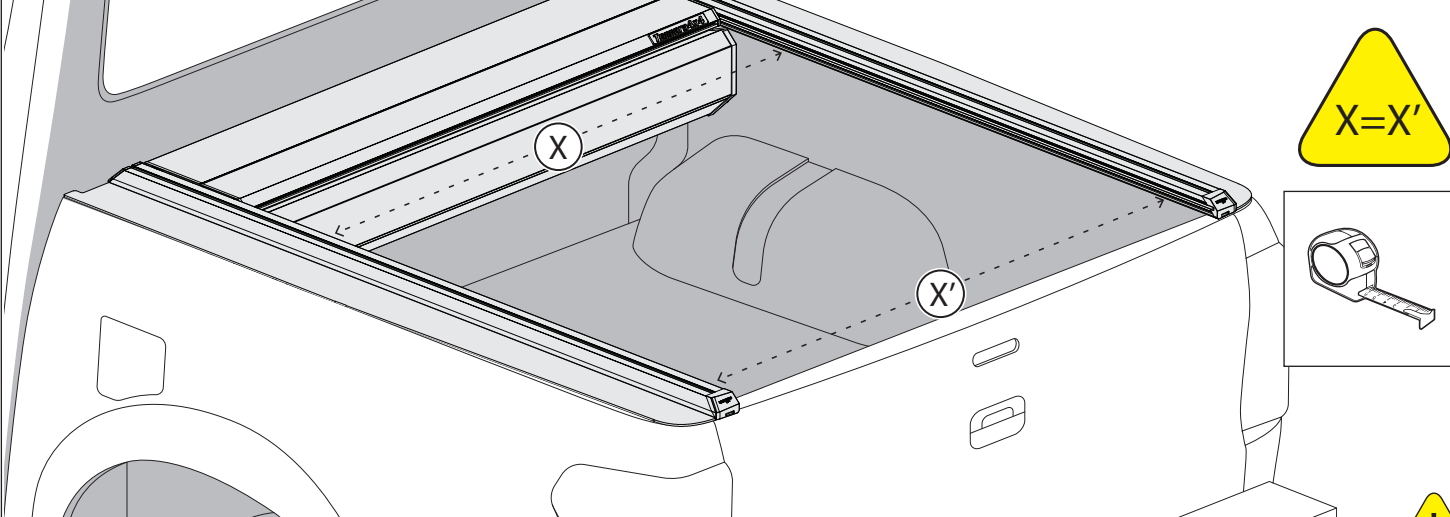


29 B

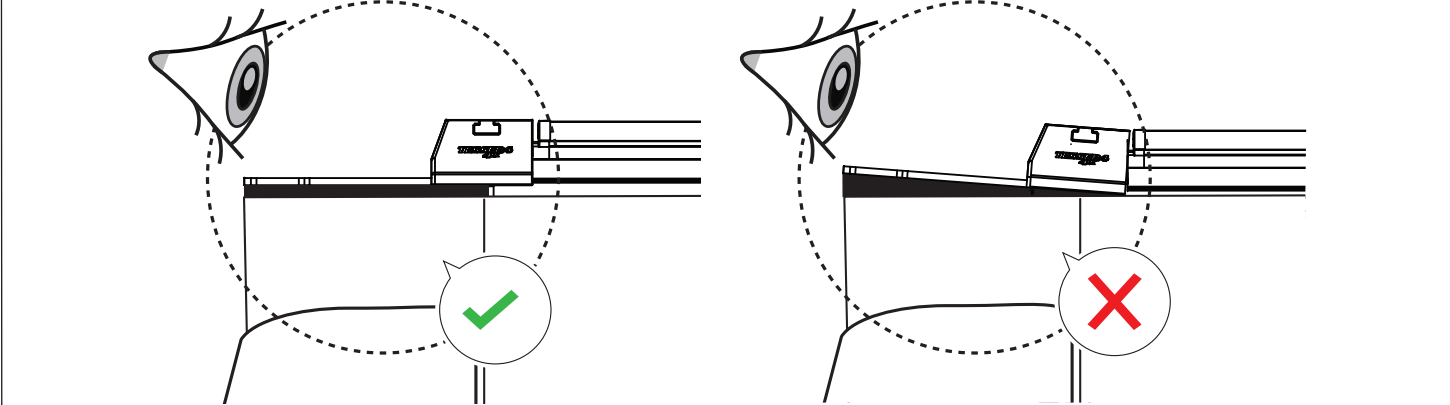




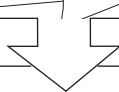
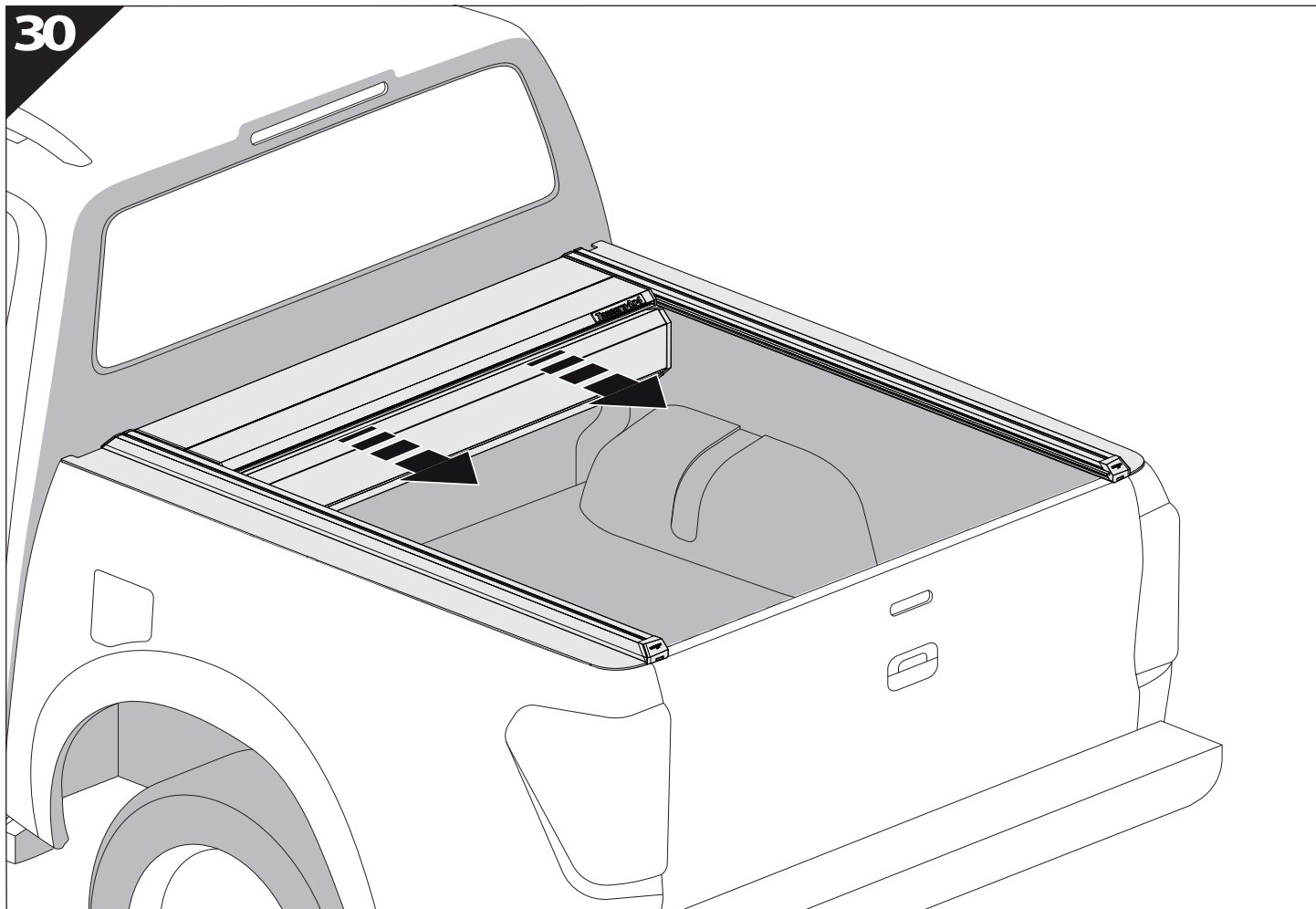
CAUTION !



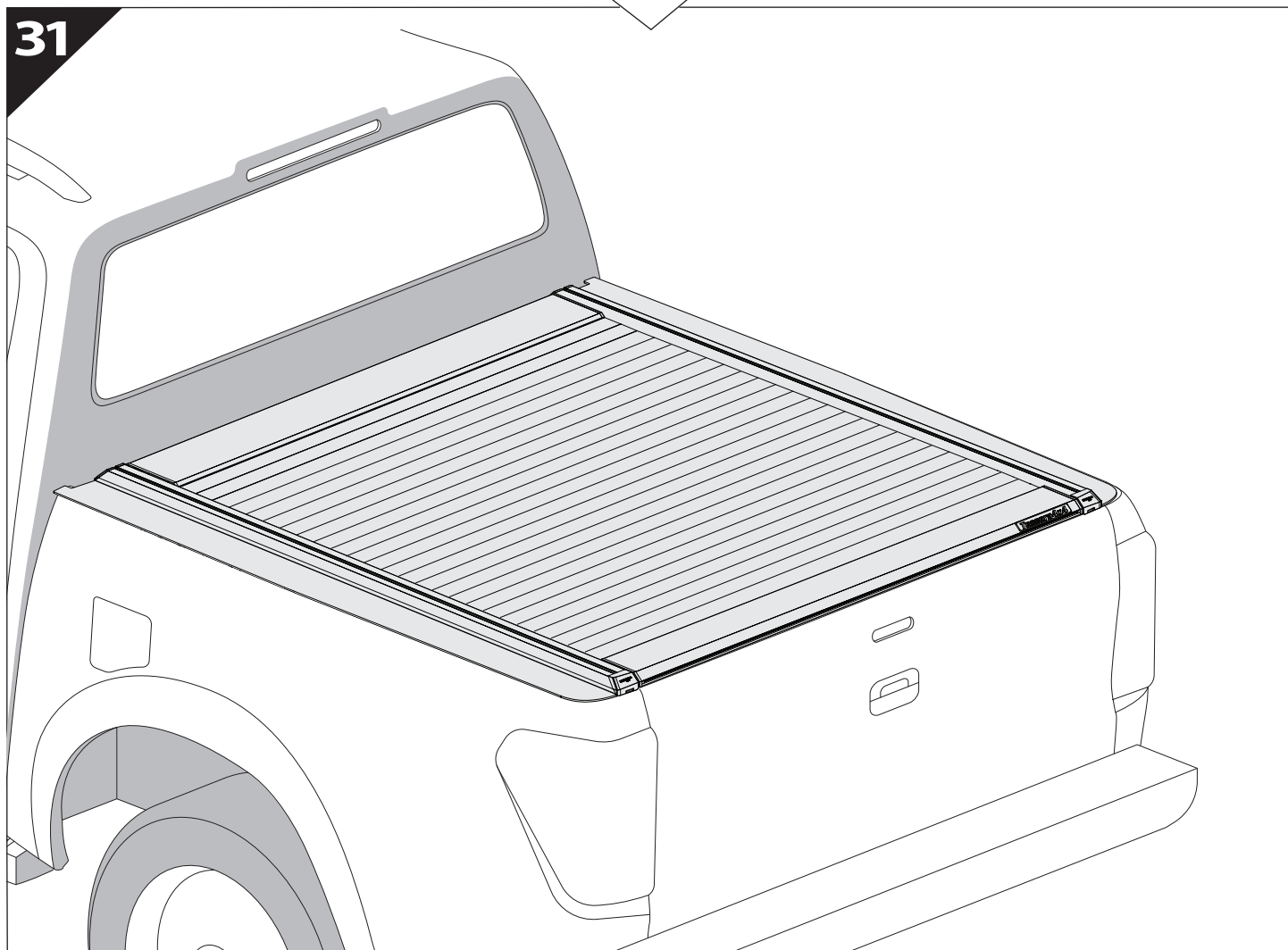
CAUTION !



30



31



GR: Οδηγίες Εγκατάστασης
GB: Installation manual
SF: Asennusohje
F: Notice de montage
PL: Instrukcja montażu
NL: Installatie-instructies
TR: Montaj Talimatı
S: Monteringsanvisning
E: Instrucciones de montaje

H: Szerelési utasítás
P: Instruções de instalação
RUS: Инструкция по установке
N: Monteringsveiledning
D: Einbauanleitung
CZ: Návod k instalaci
I: Istruzioni de montaggio
DK: Monteringsvejledning
RO: Instructiuni de instalare

Customer Service:

+30 (210) 5541161, +30 (210) 5541154 (08:00 - 16:00 EET)

Support department:

info@gianso.gr

Website:

www.tessera4x4.com

Address:

19.5 km of National road Athens-Korinthos (Elefsina) Greece, P.C: 19200