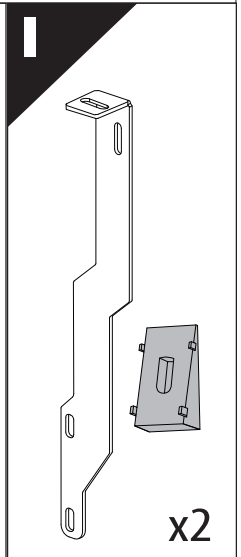
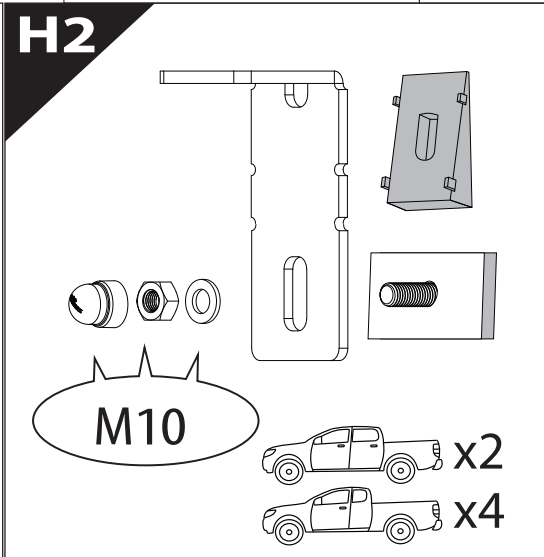
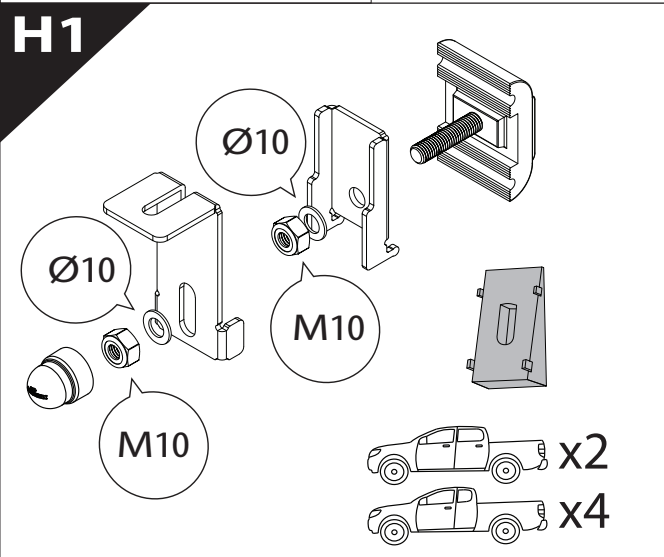
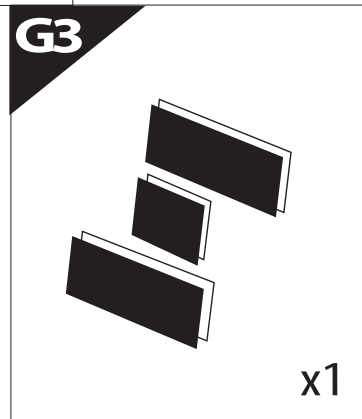
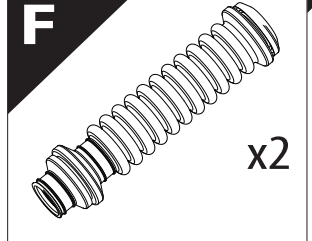
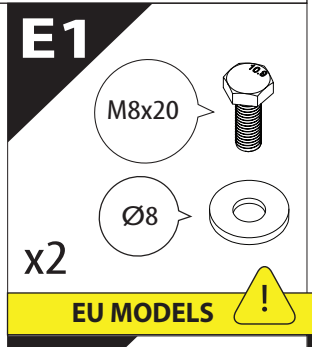
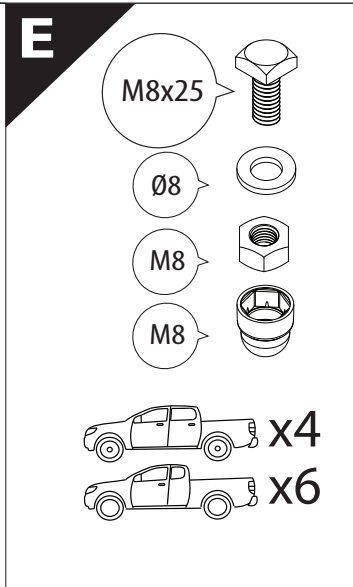
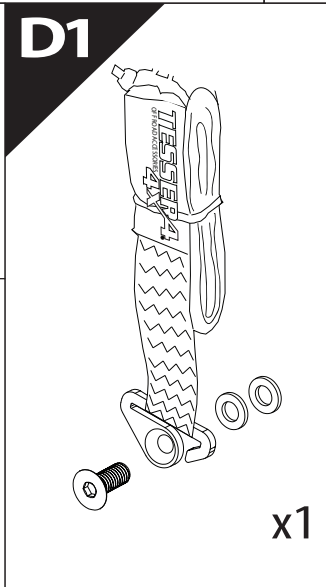
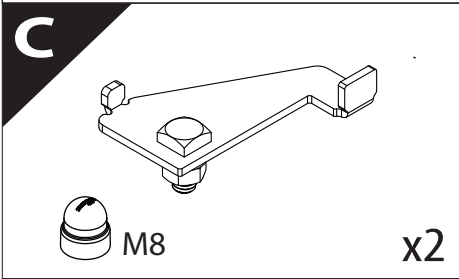
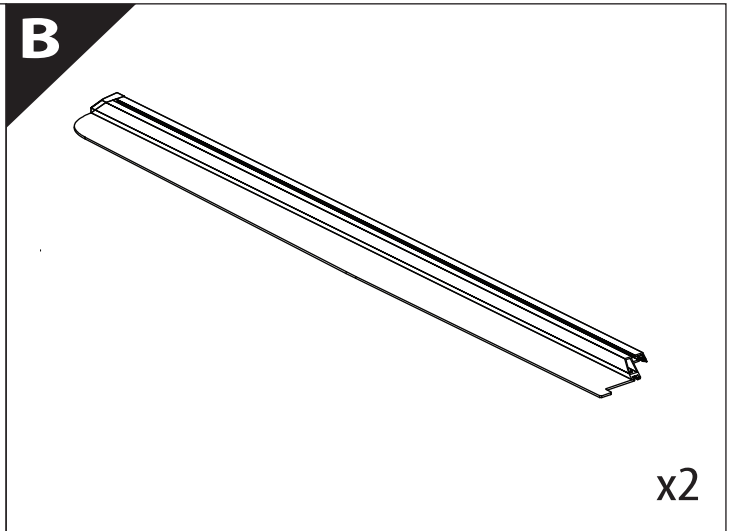
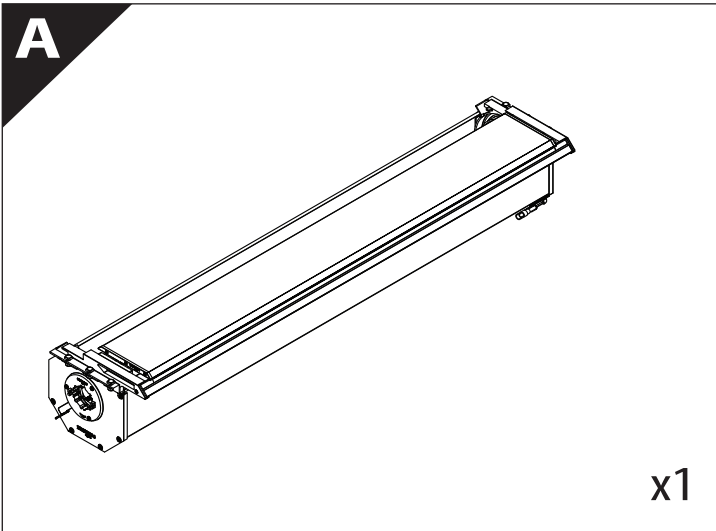
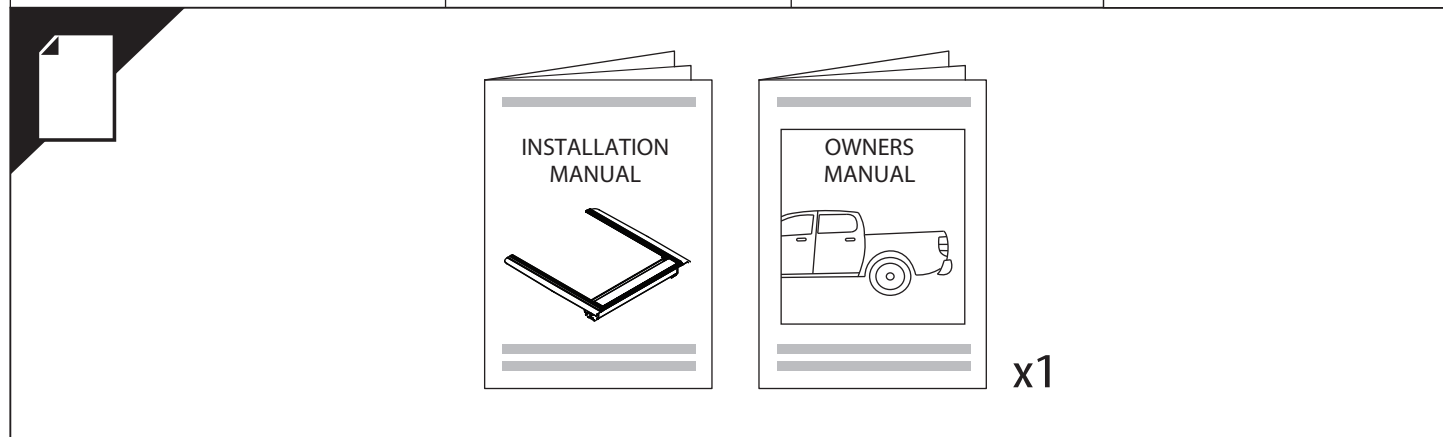
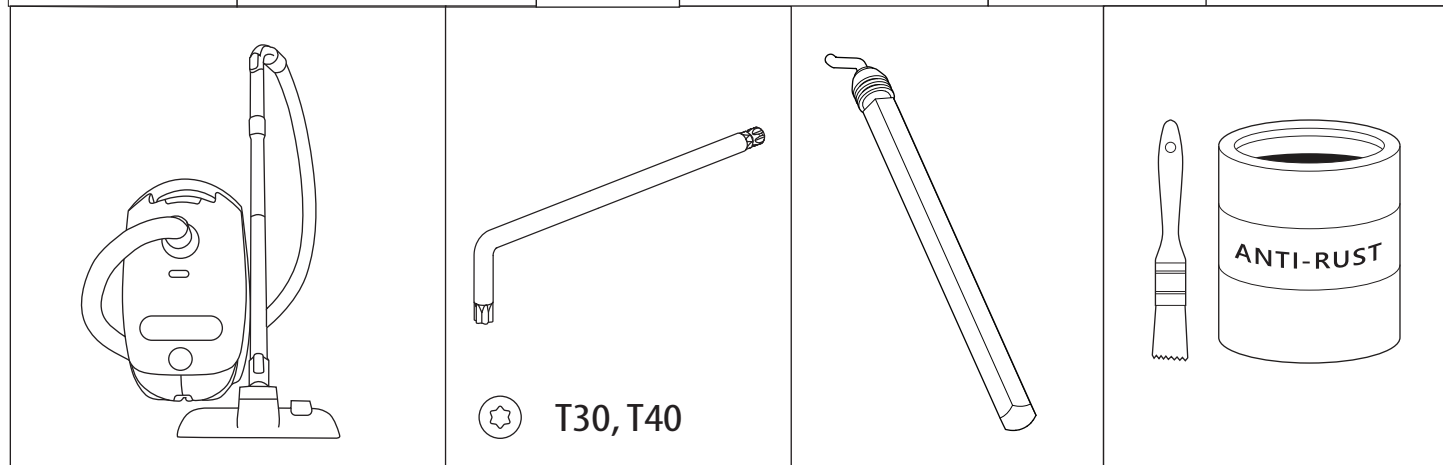
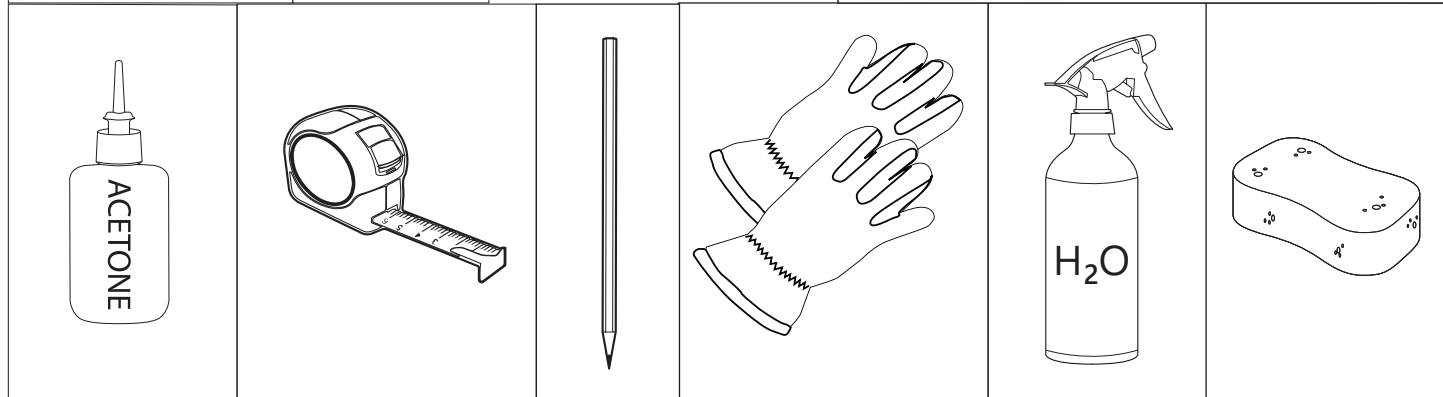
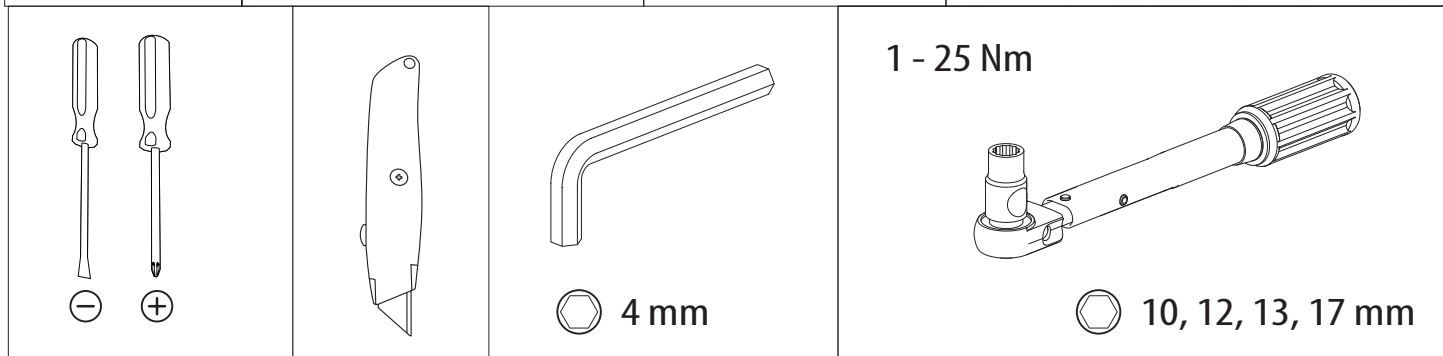
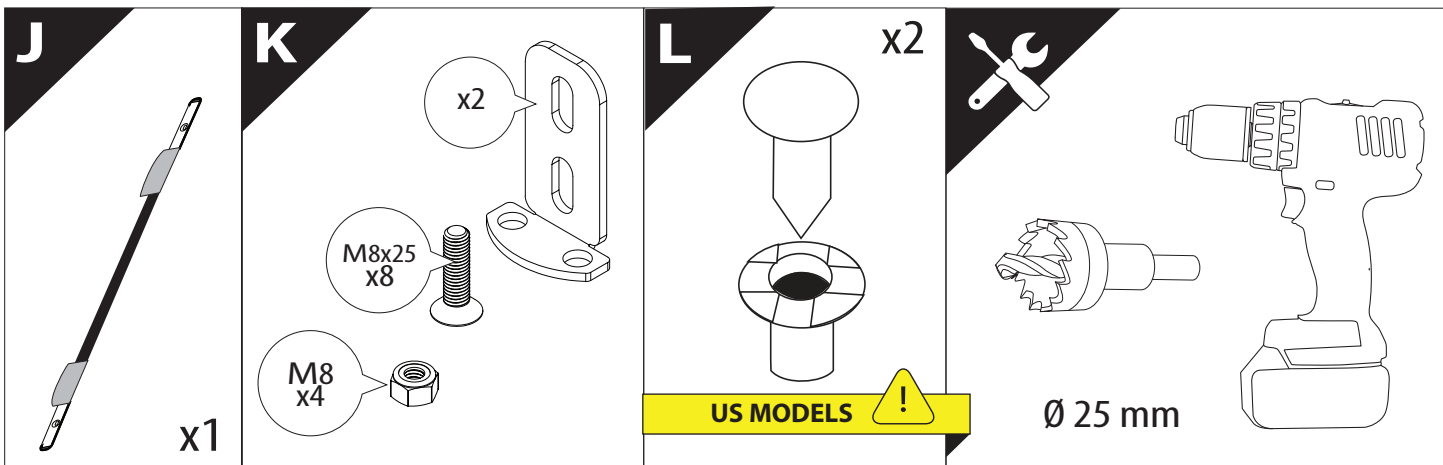
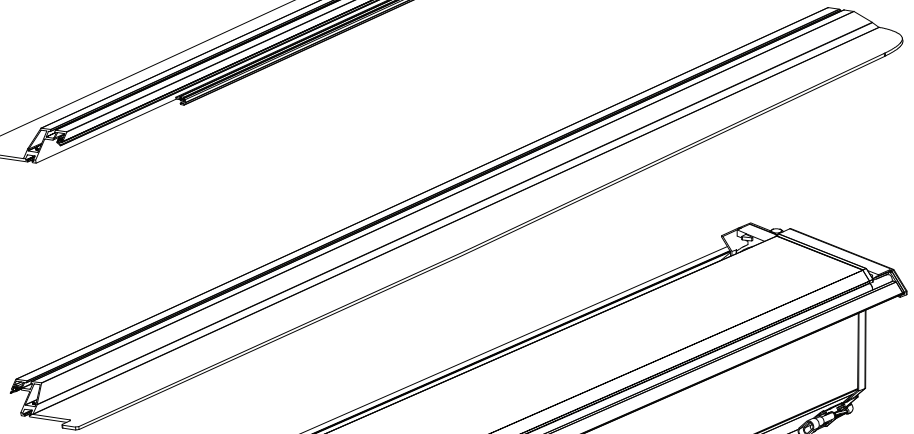
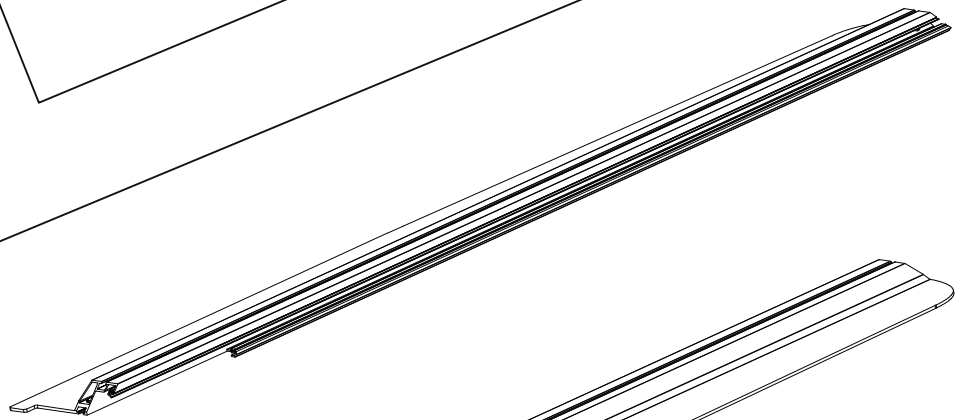
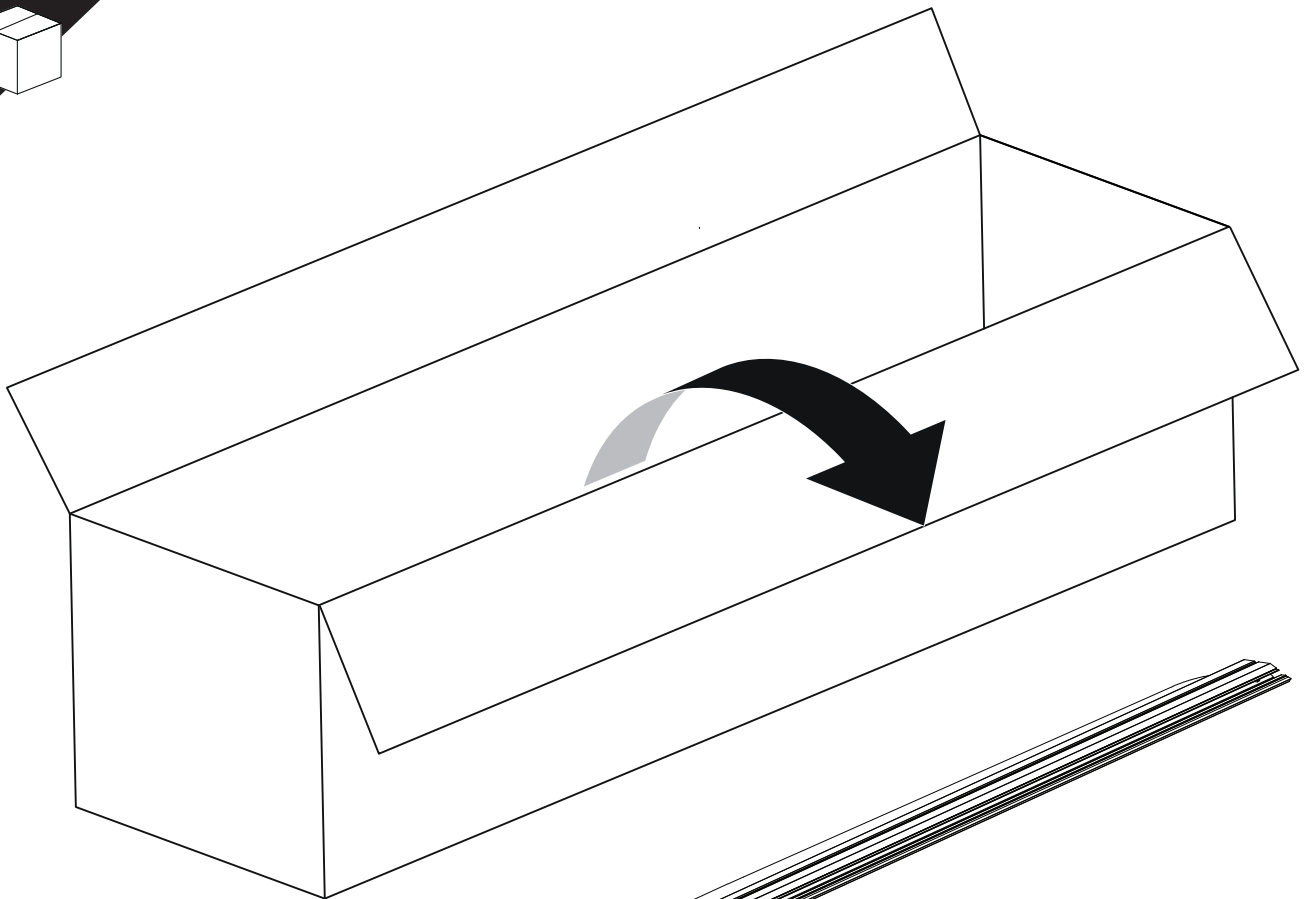


Installation Manual

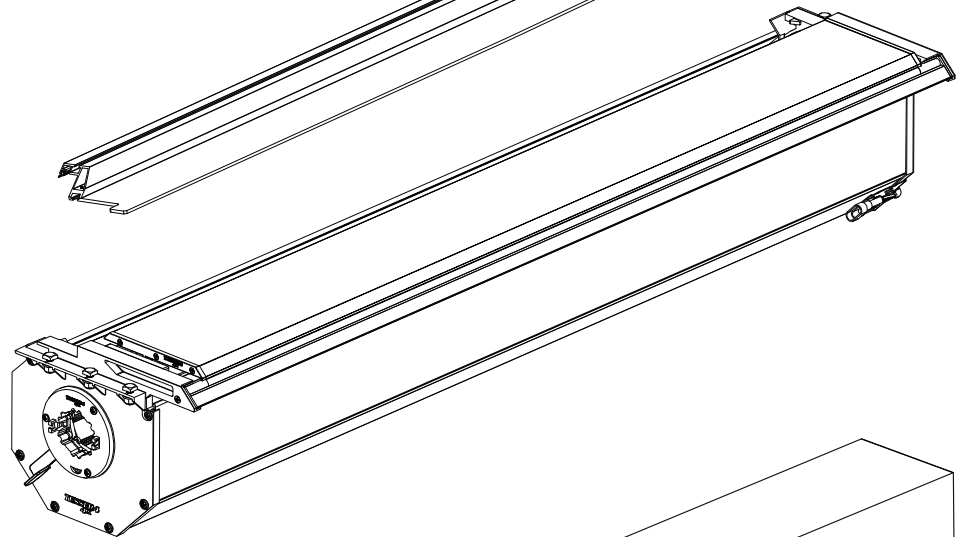
PART NUMBER(S)	Model Year
TESS 15060 SE +ADAPT 008	FORD RANGER 2023+ SPORT WITH OEM ROLLBAR WITH OR WITHOUT C-CHANNELS
TESS 15070 SE +ADAPT 008	
Cab(s)	Installation Time / Weight
Double Cab & Space Cab	40-60 minutes / 53-57 kg





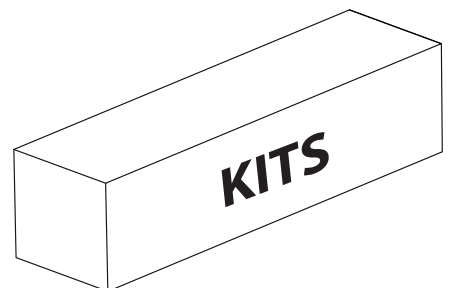


B

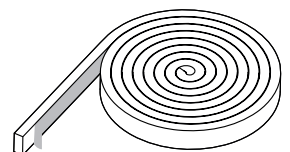


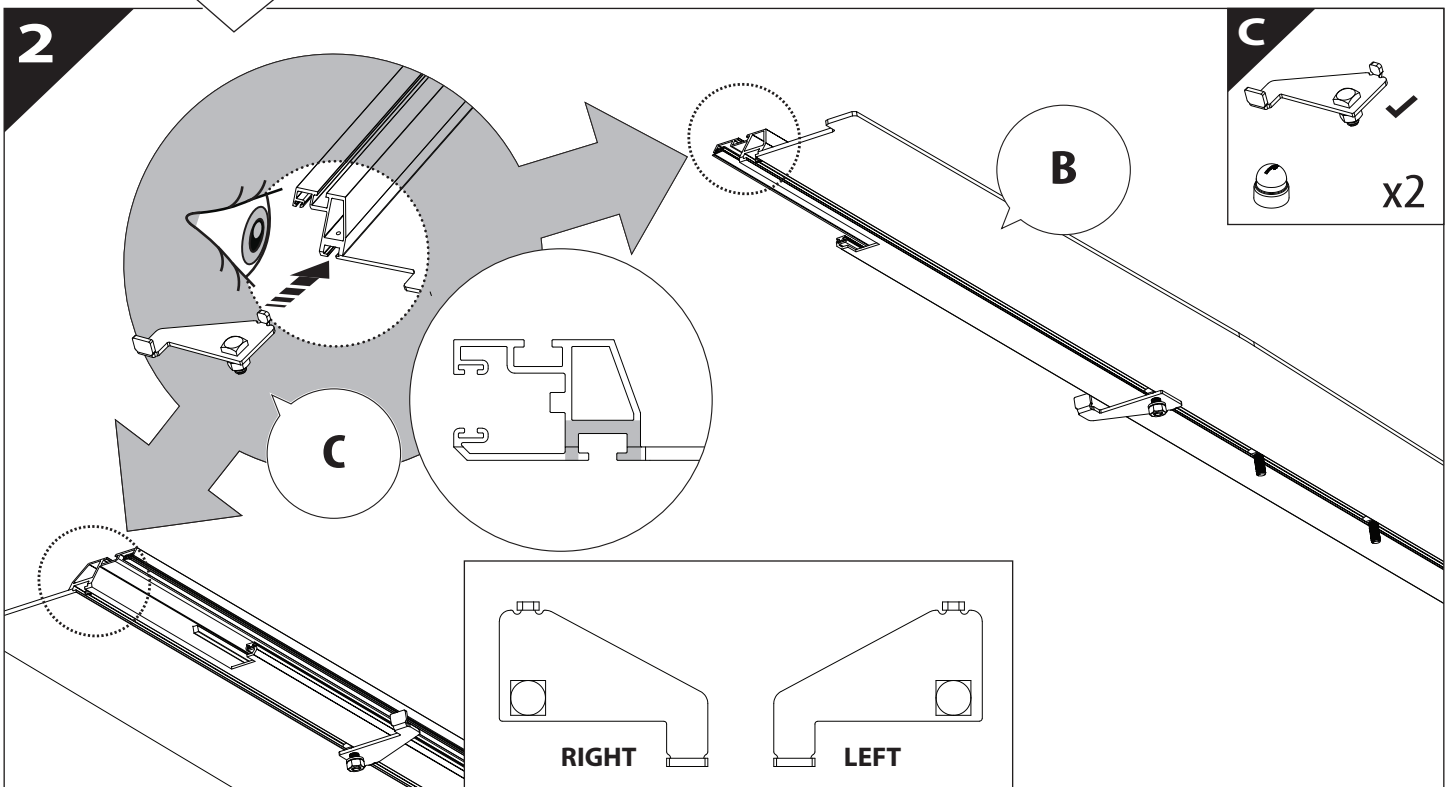
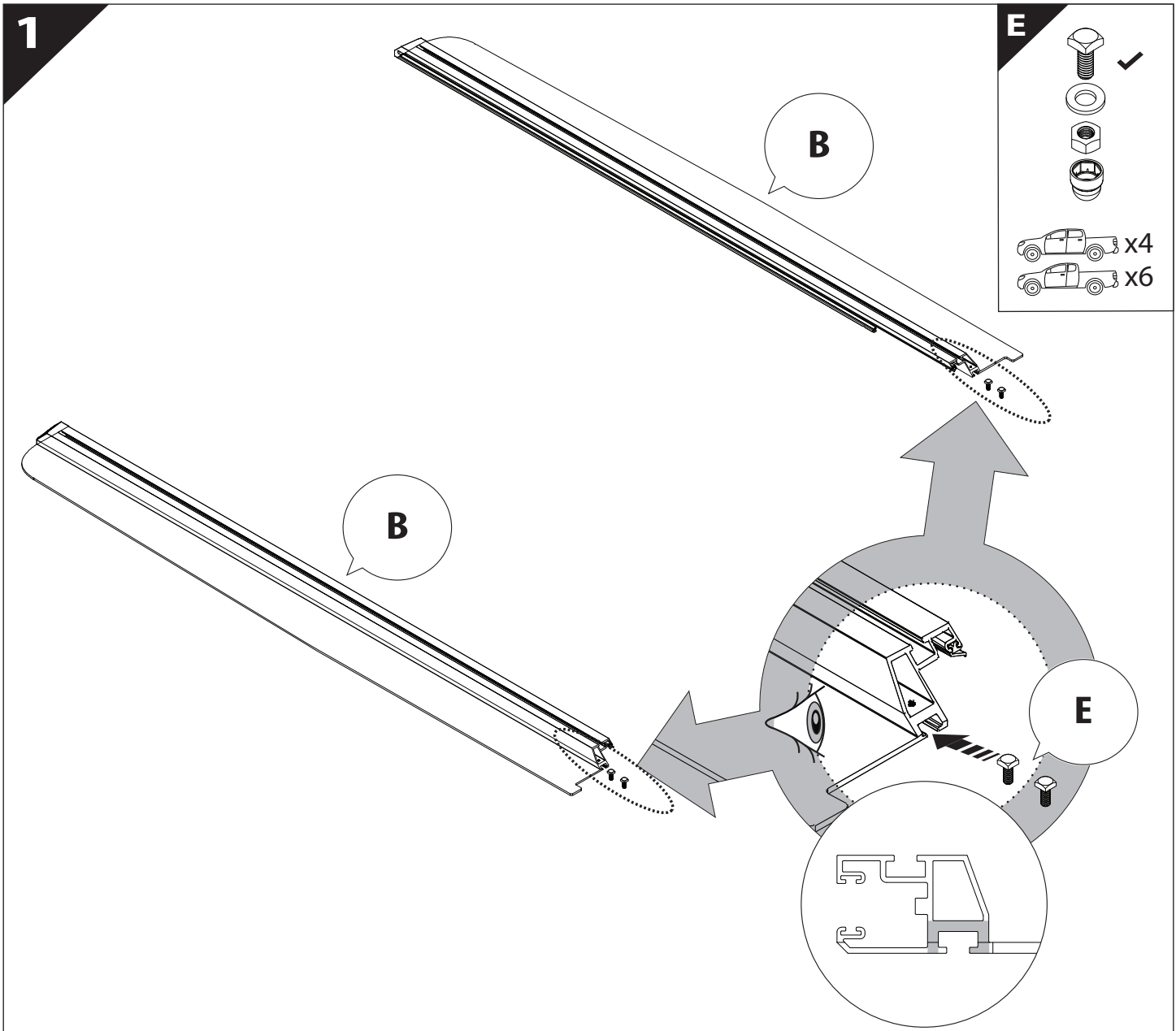
A

KITS

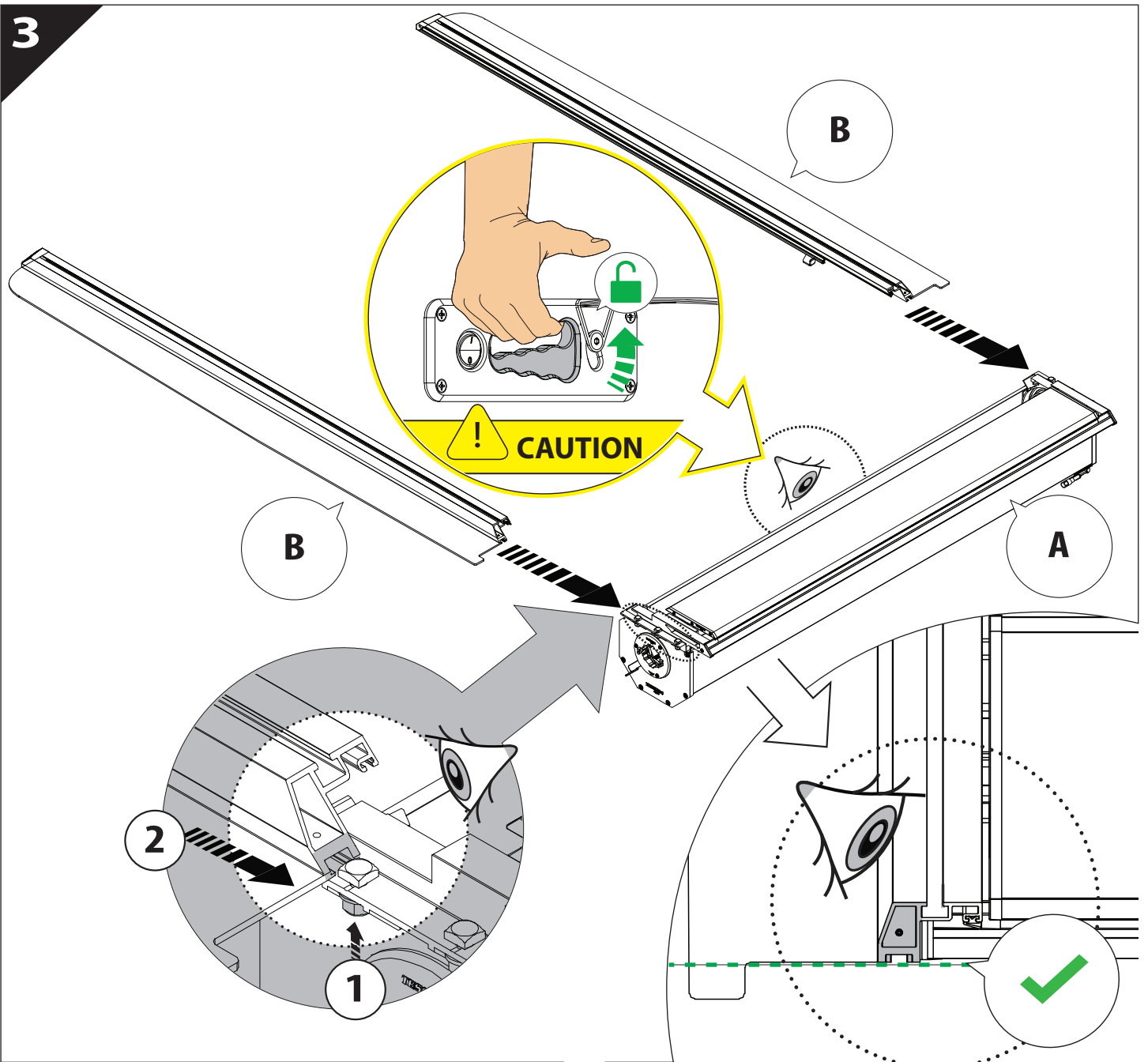


G

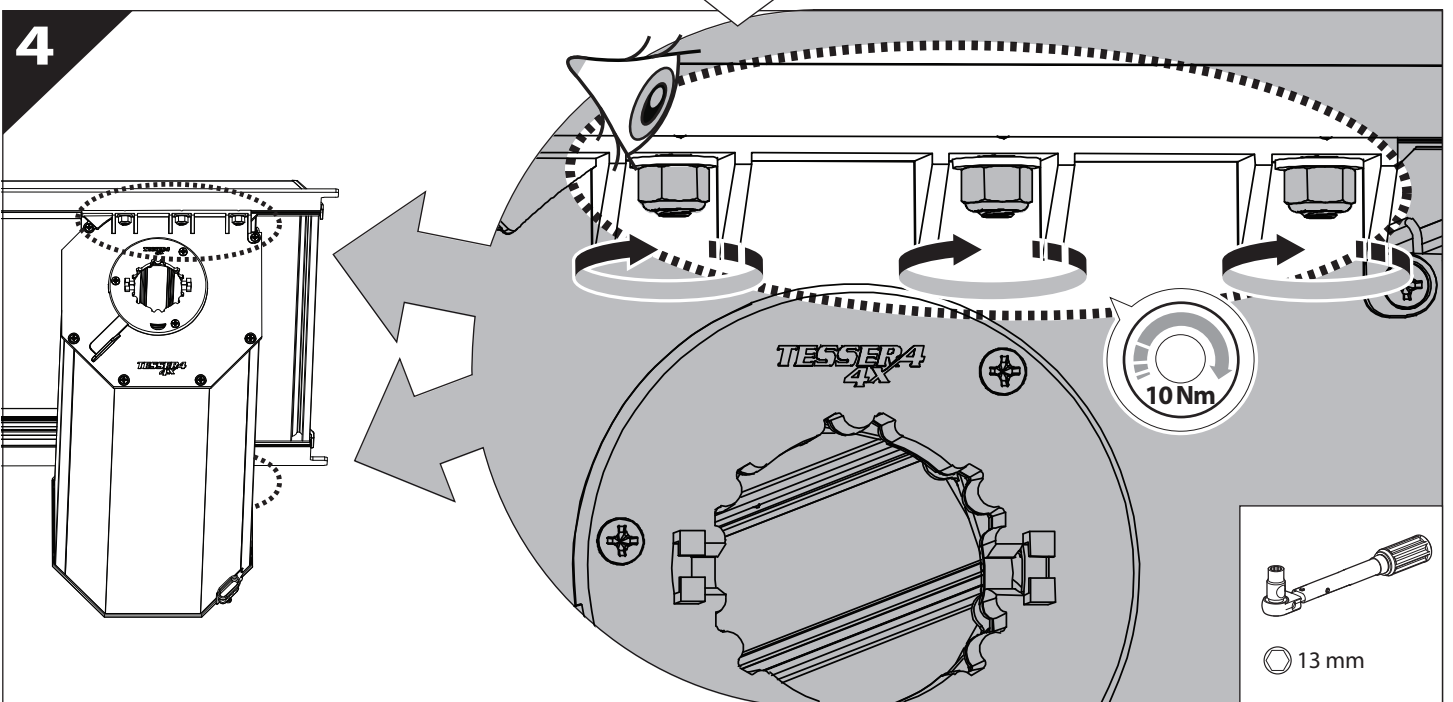




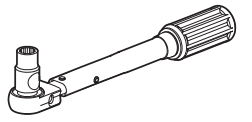
3



4

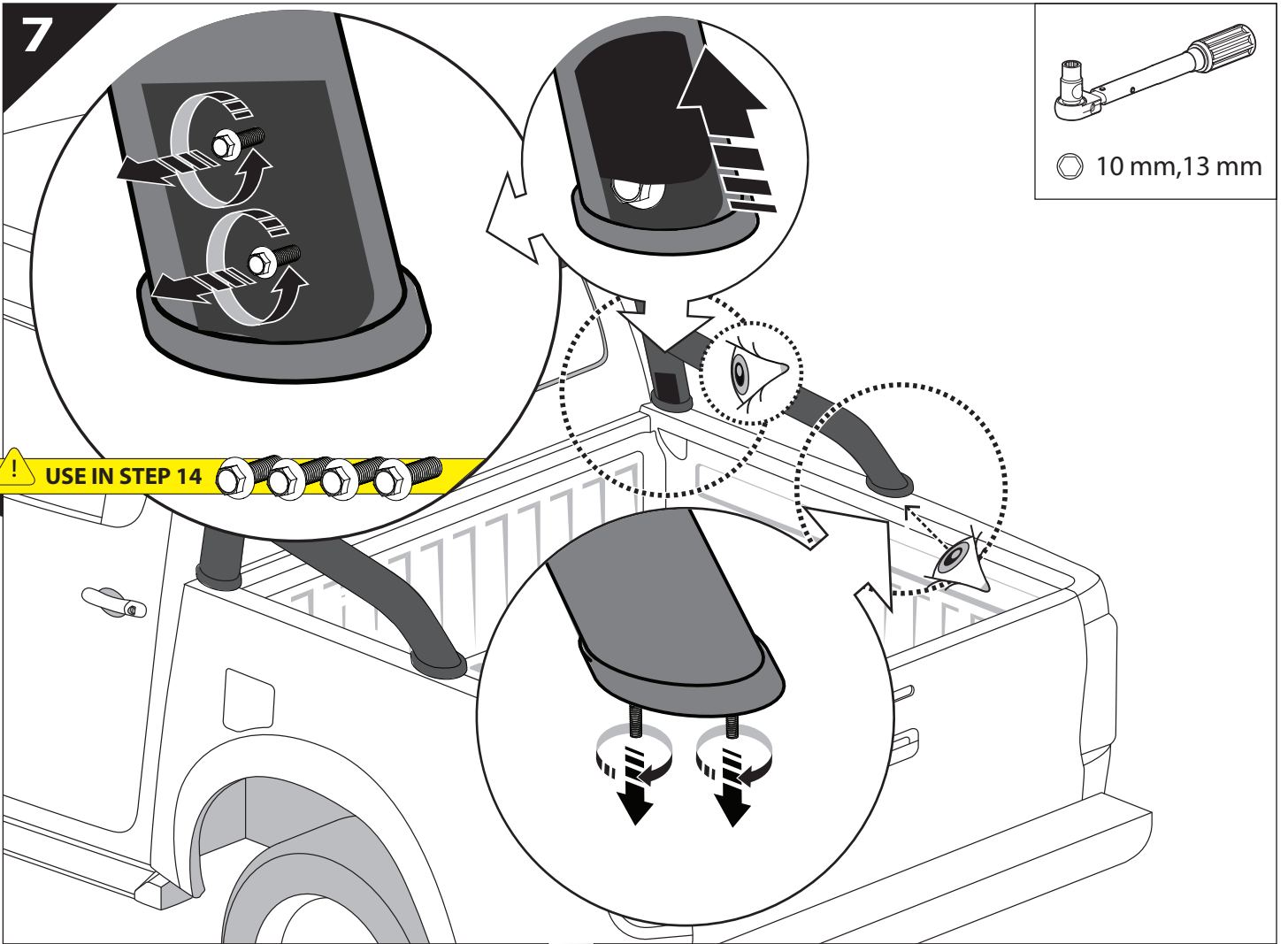


7



10 mm, 13 mm

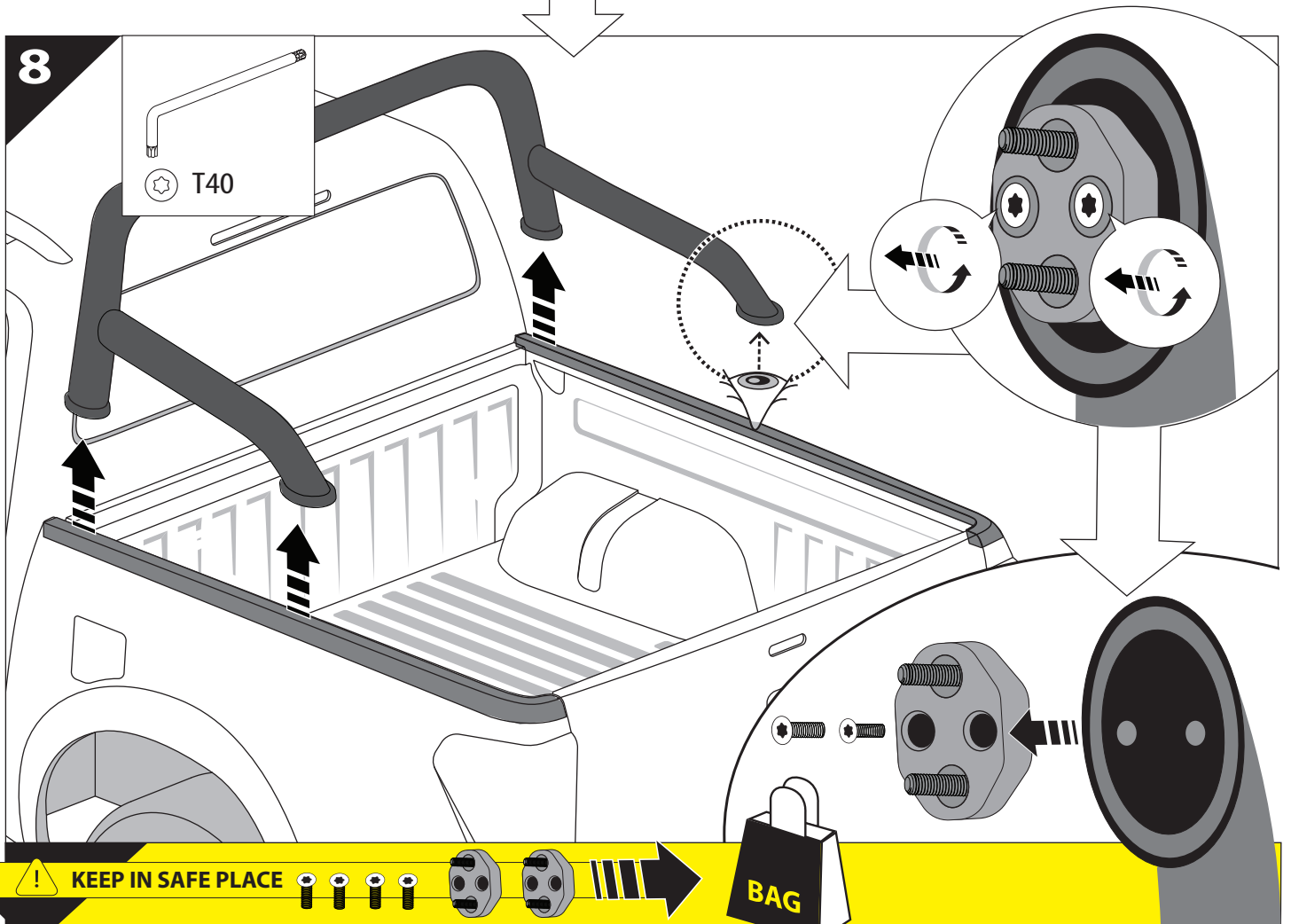
! USE IN STEP 14



8

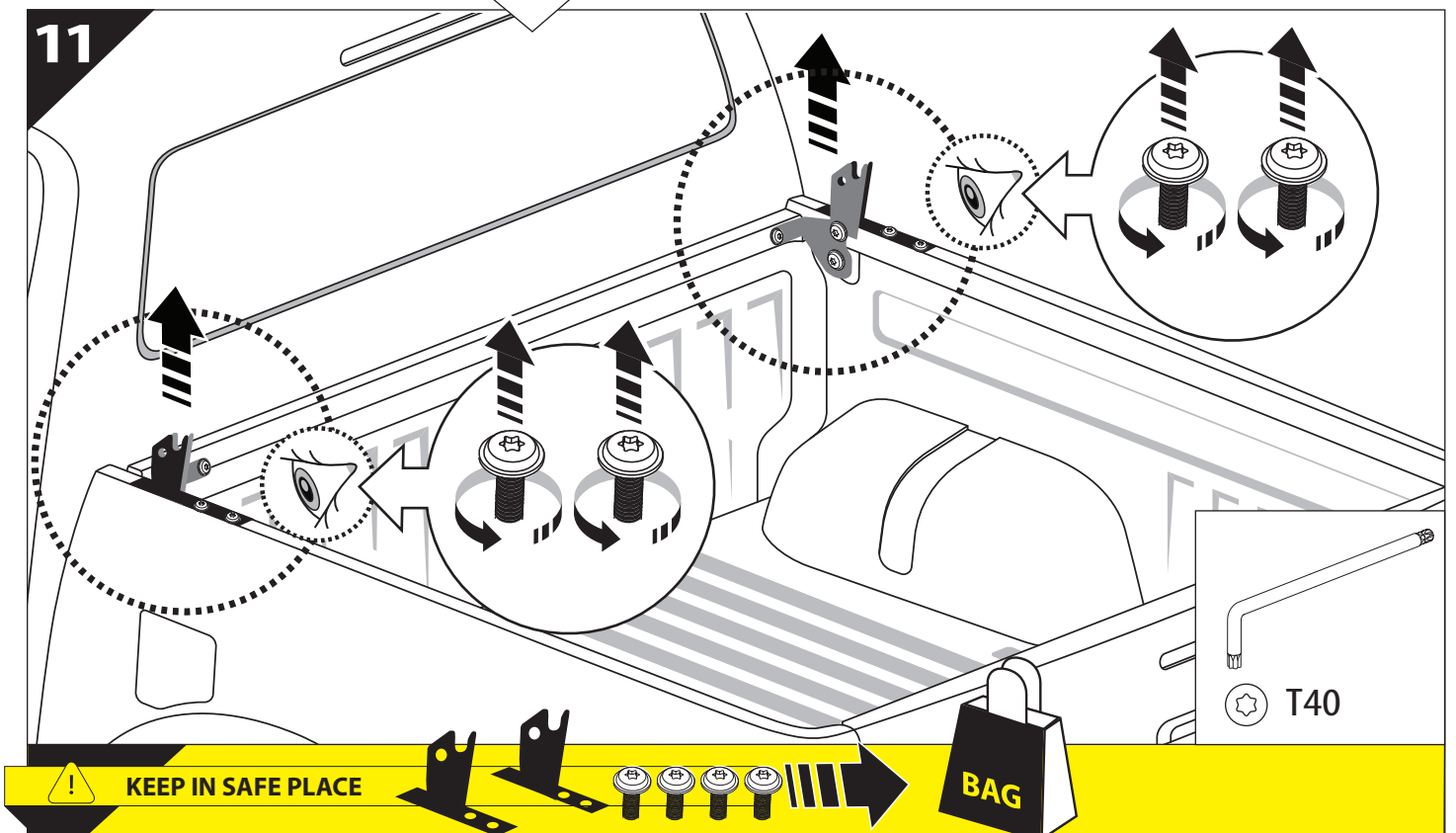
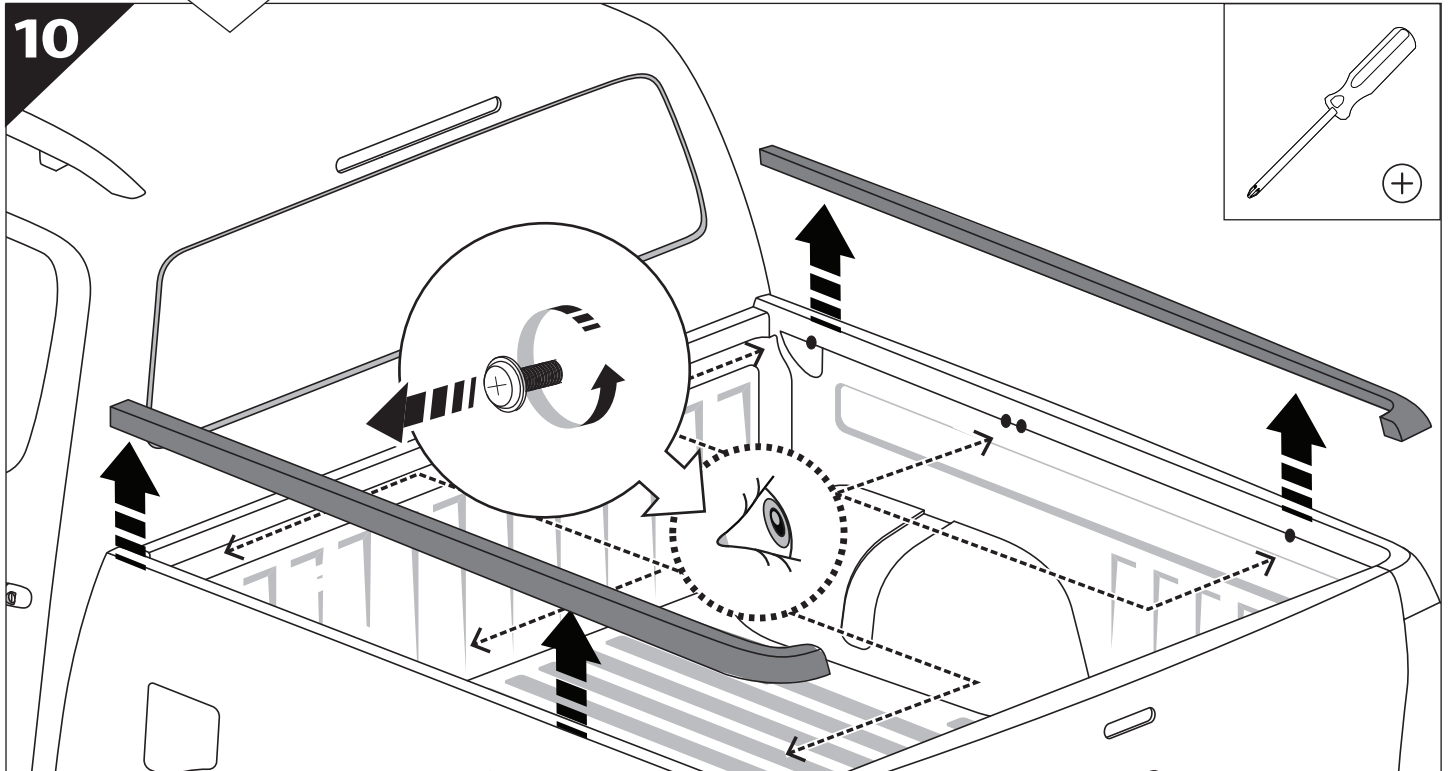
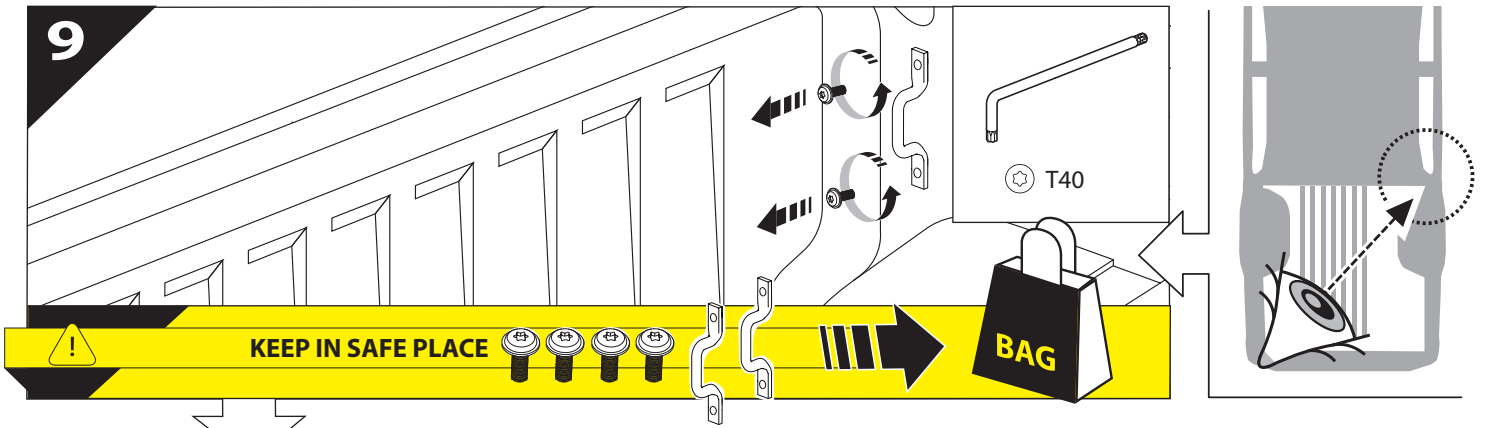


T40

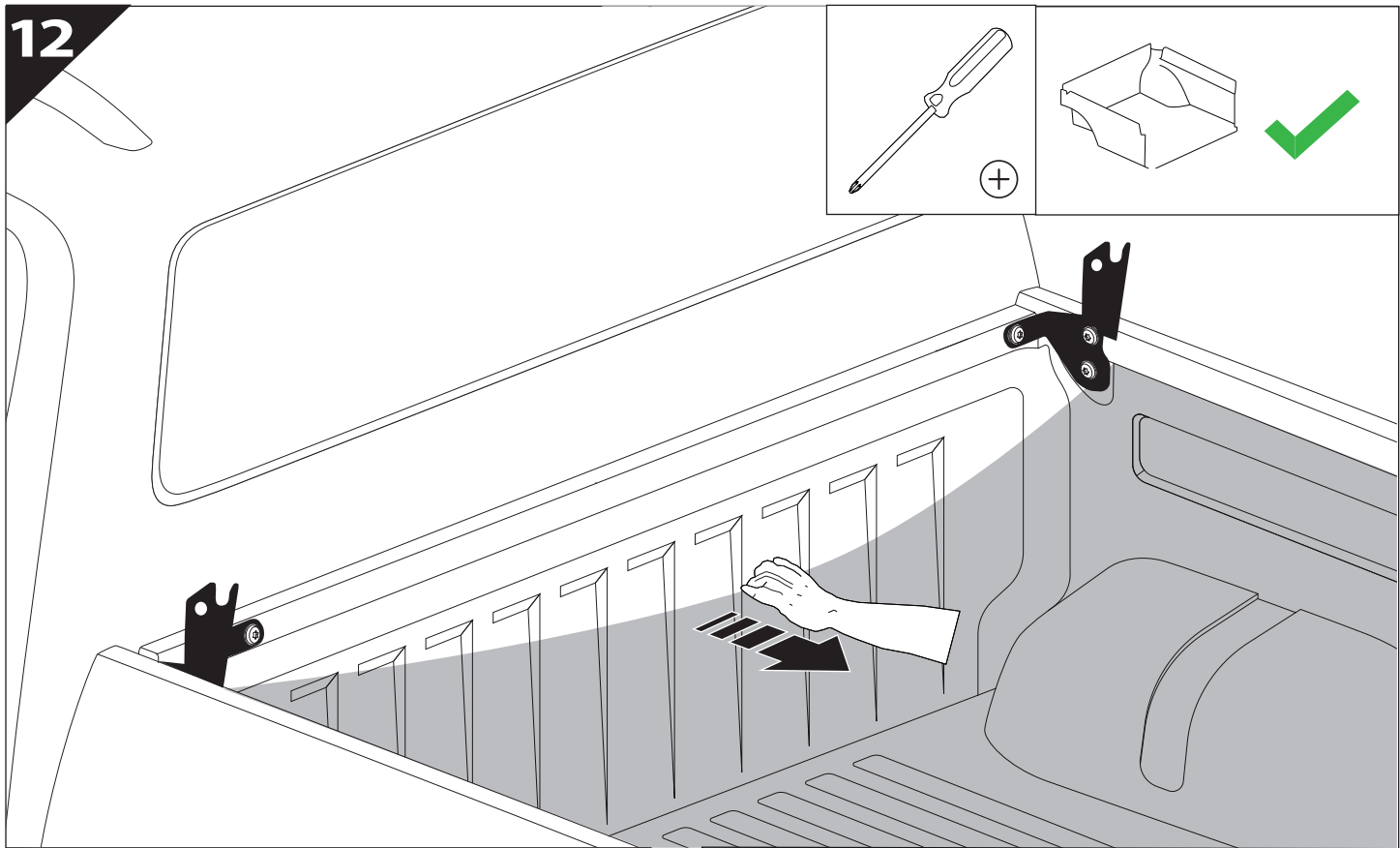


! KEEP IN SAFE PLACE

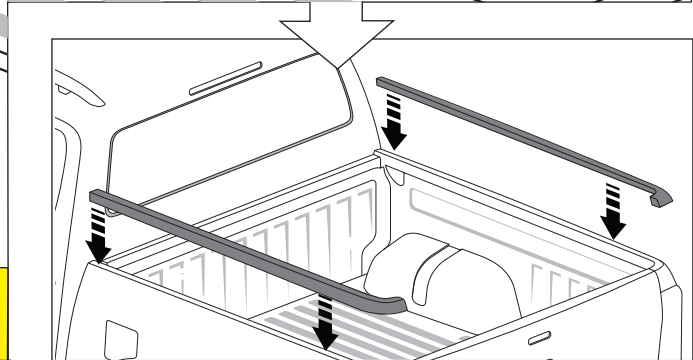
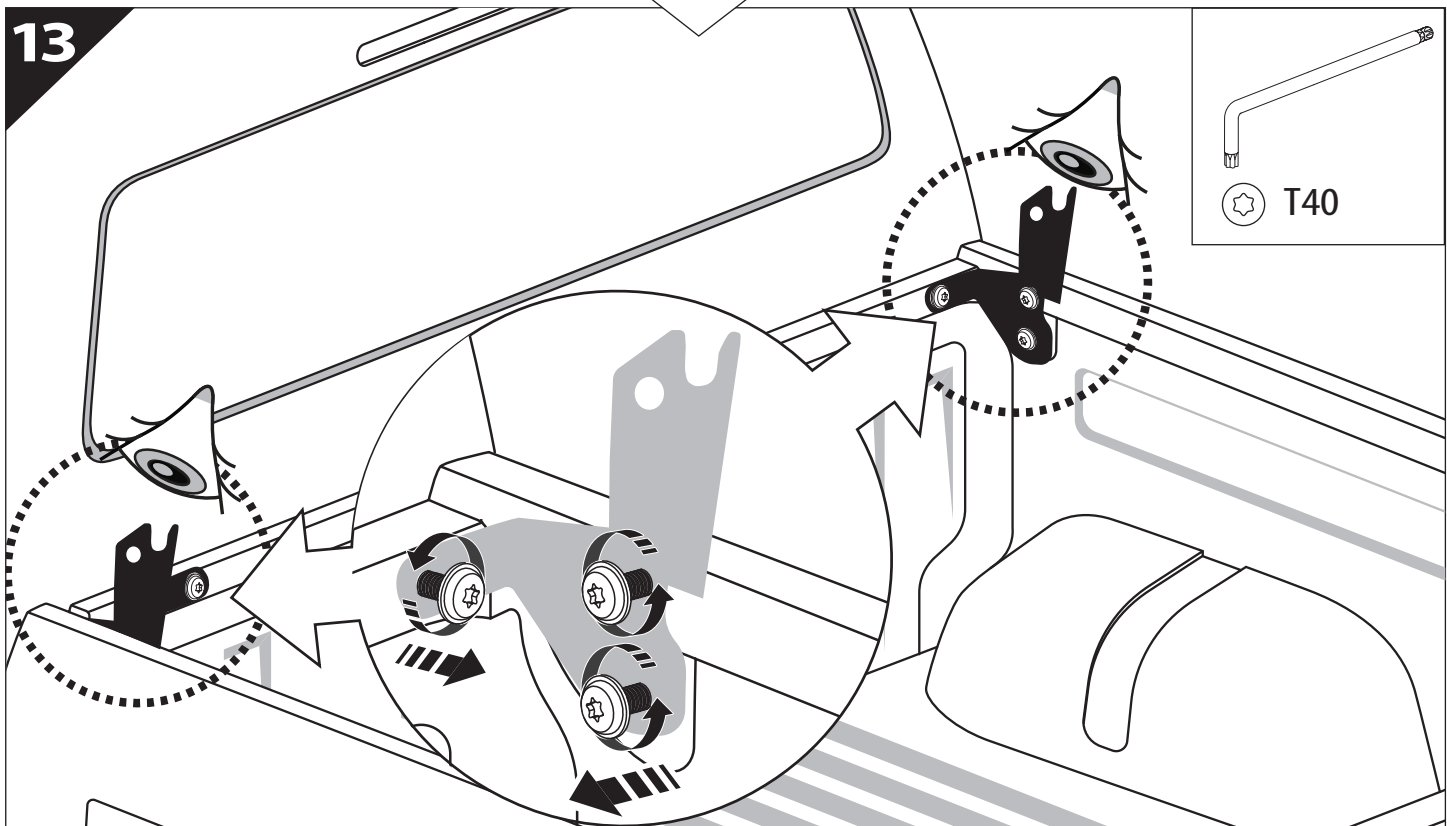
BAG



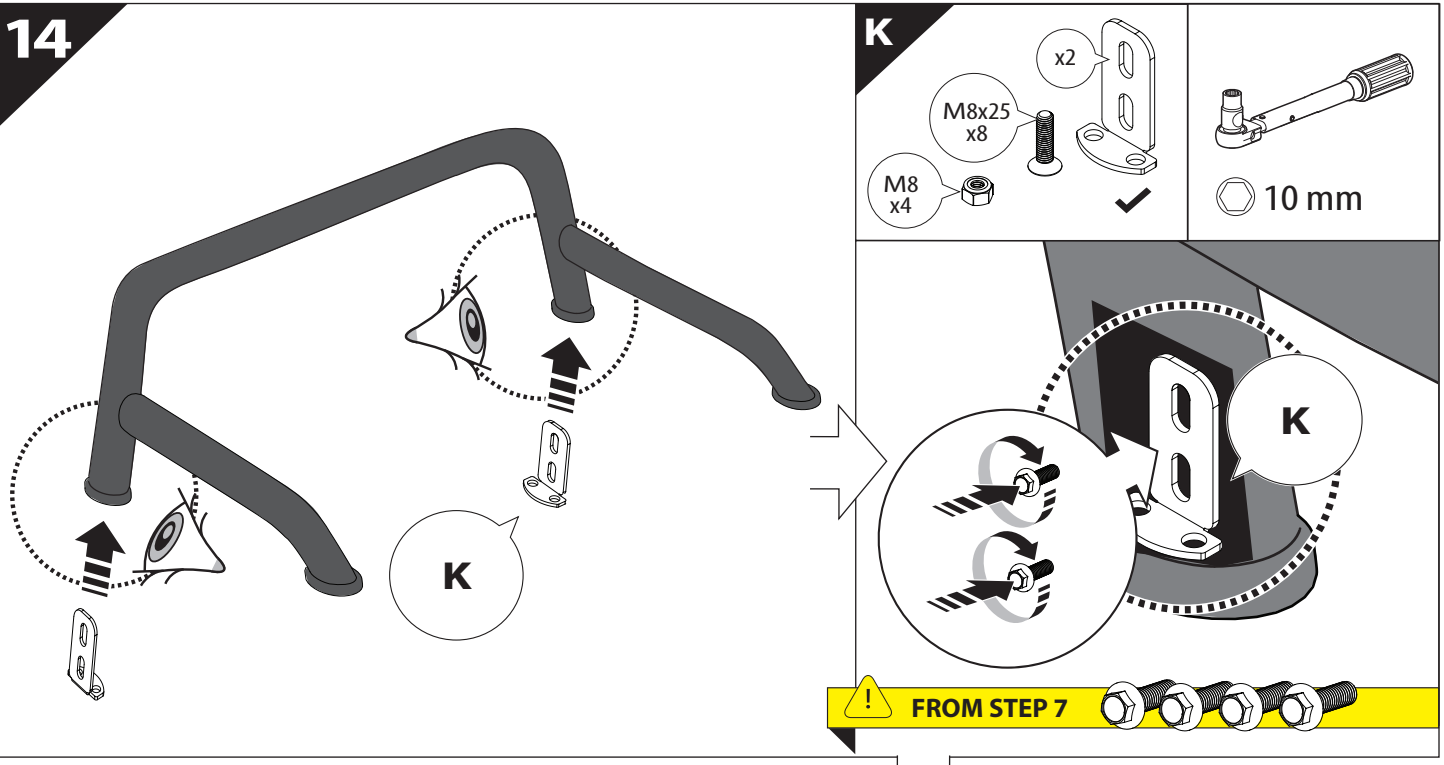
12



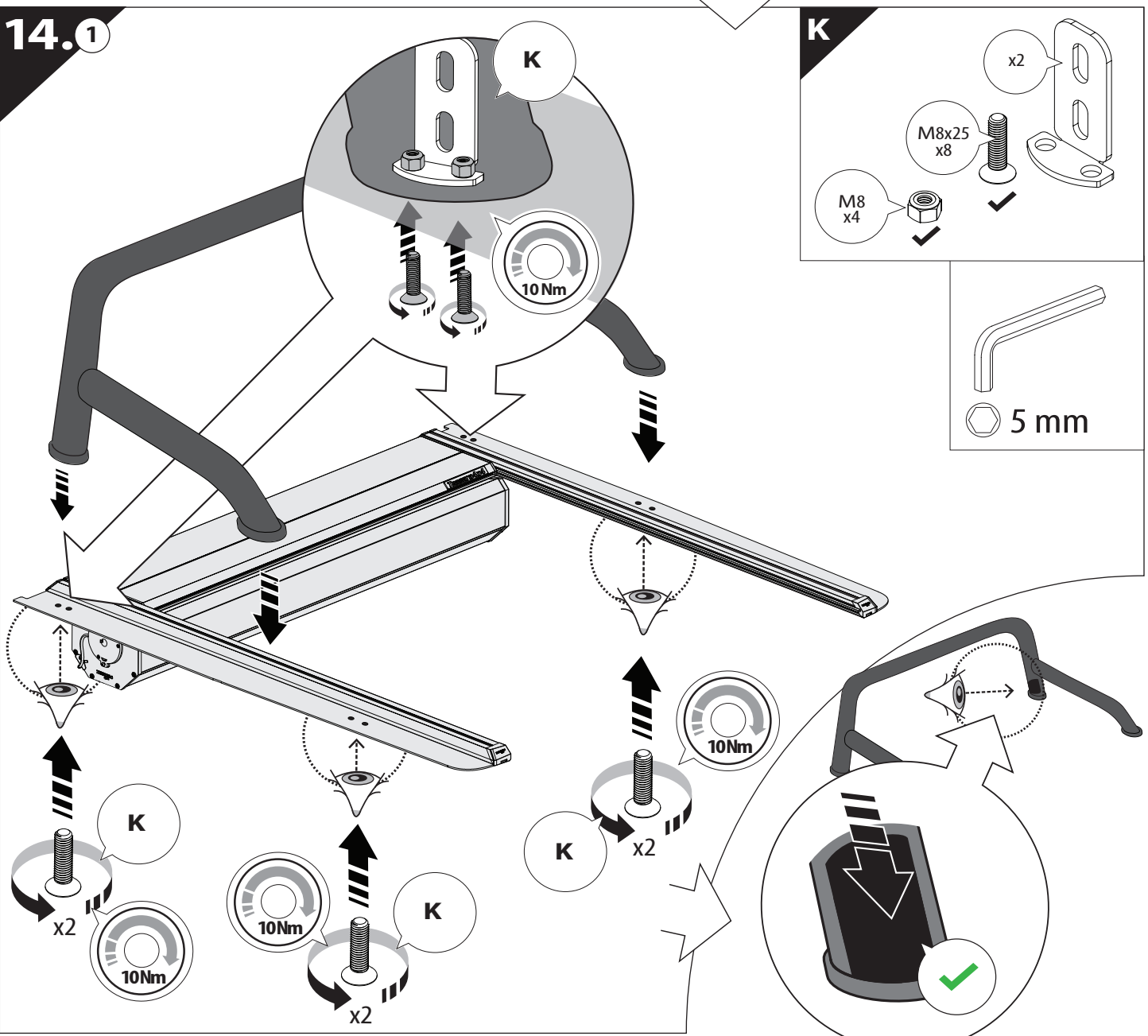
13



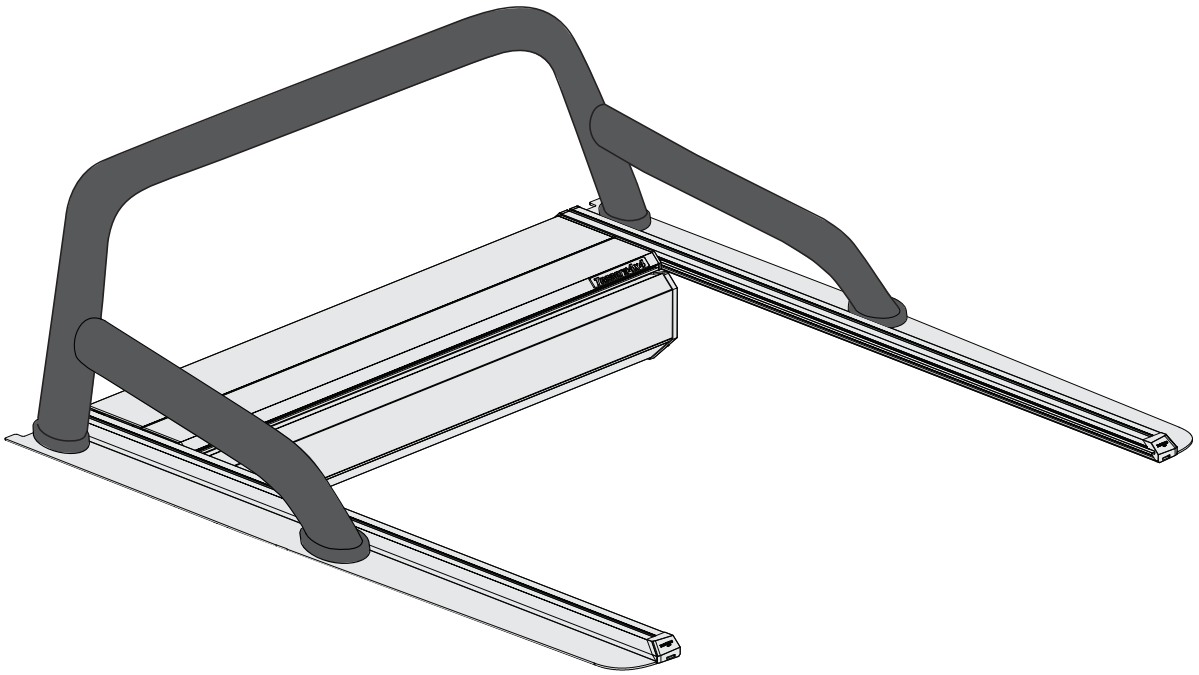
14



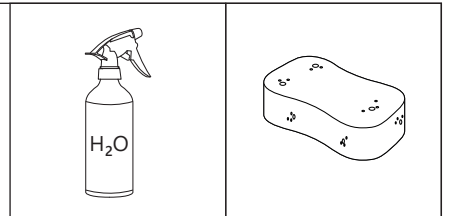
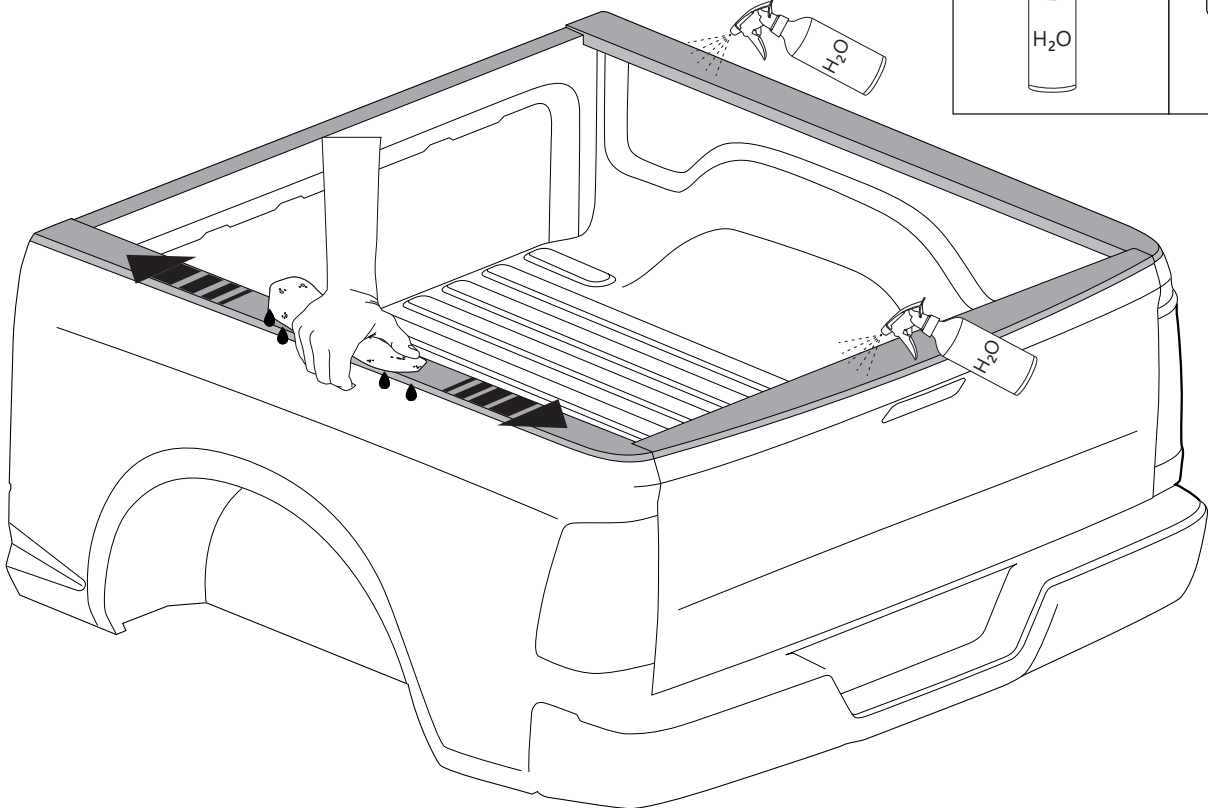
14.0



15



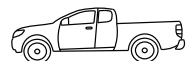
16



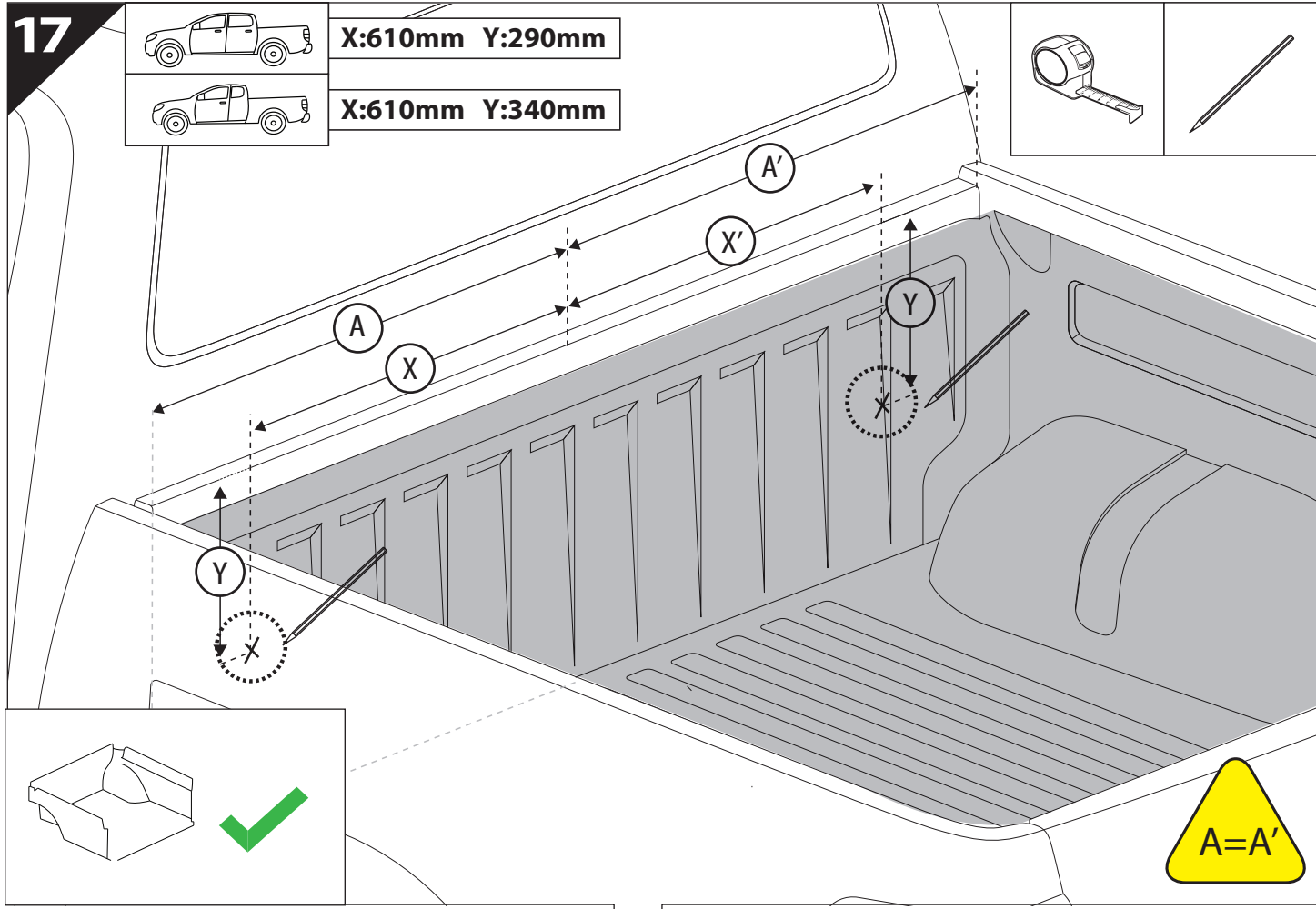
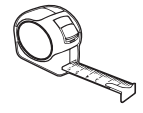
17



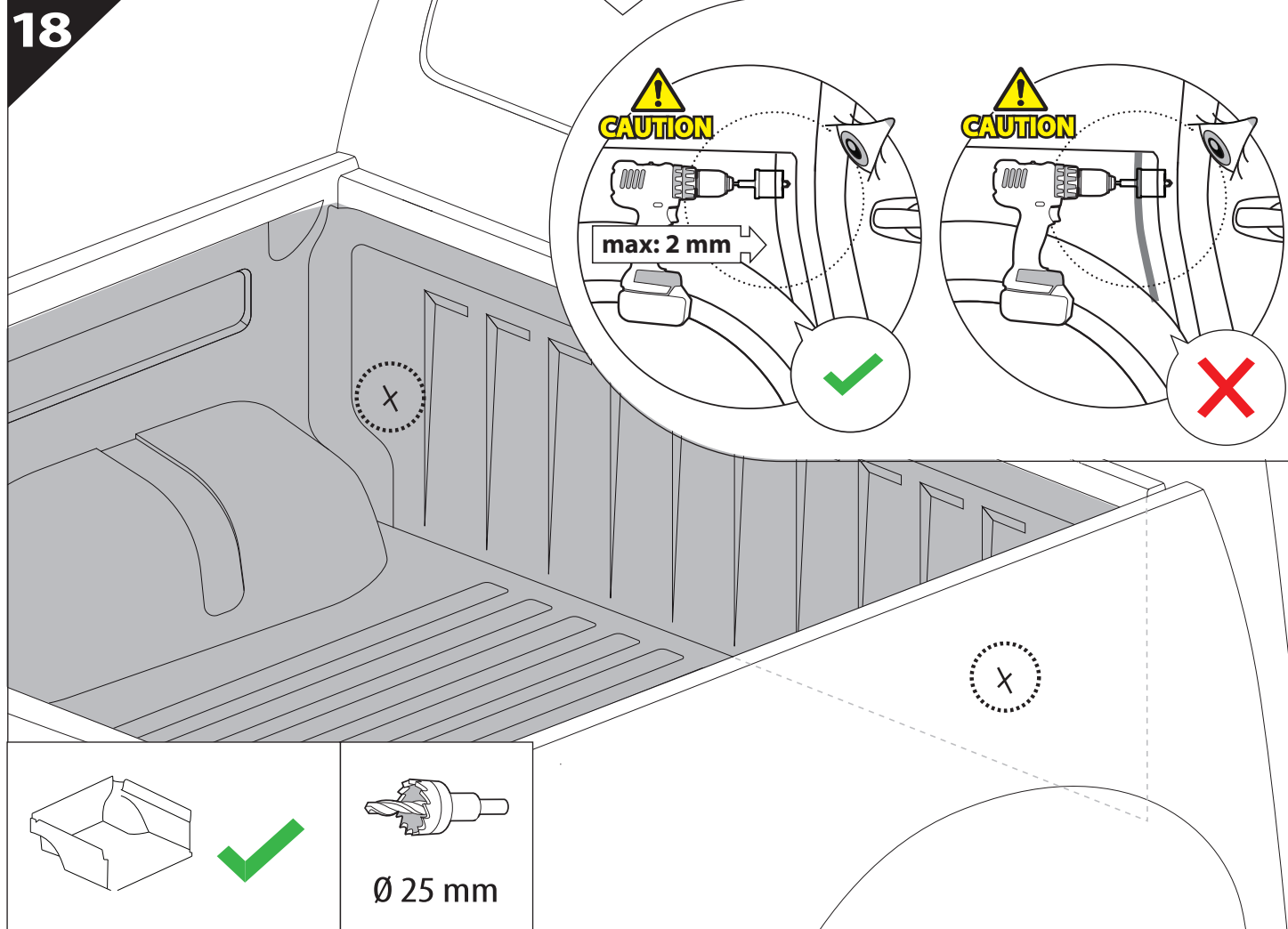
X:610mm Y:290mm

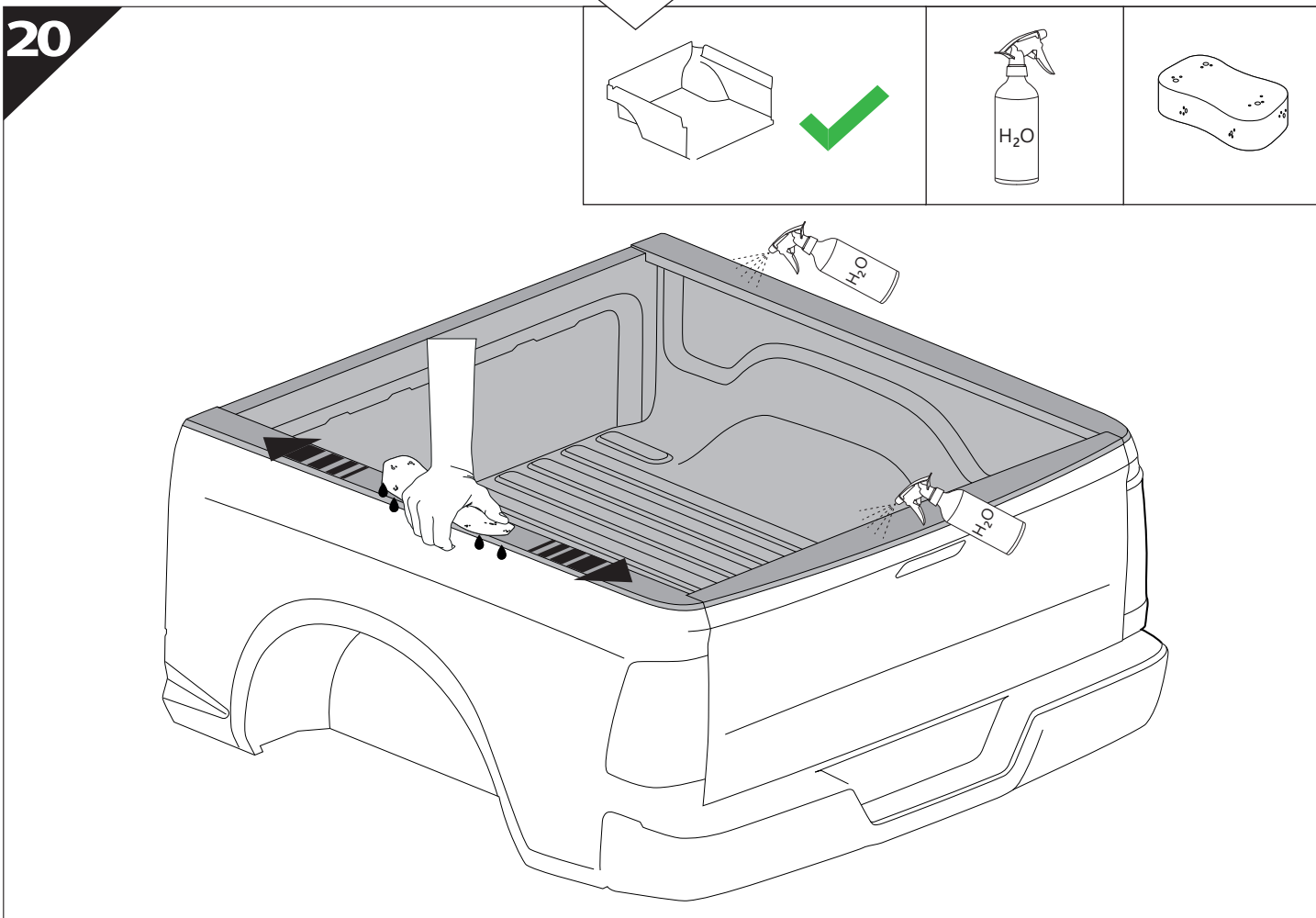
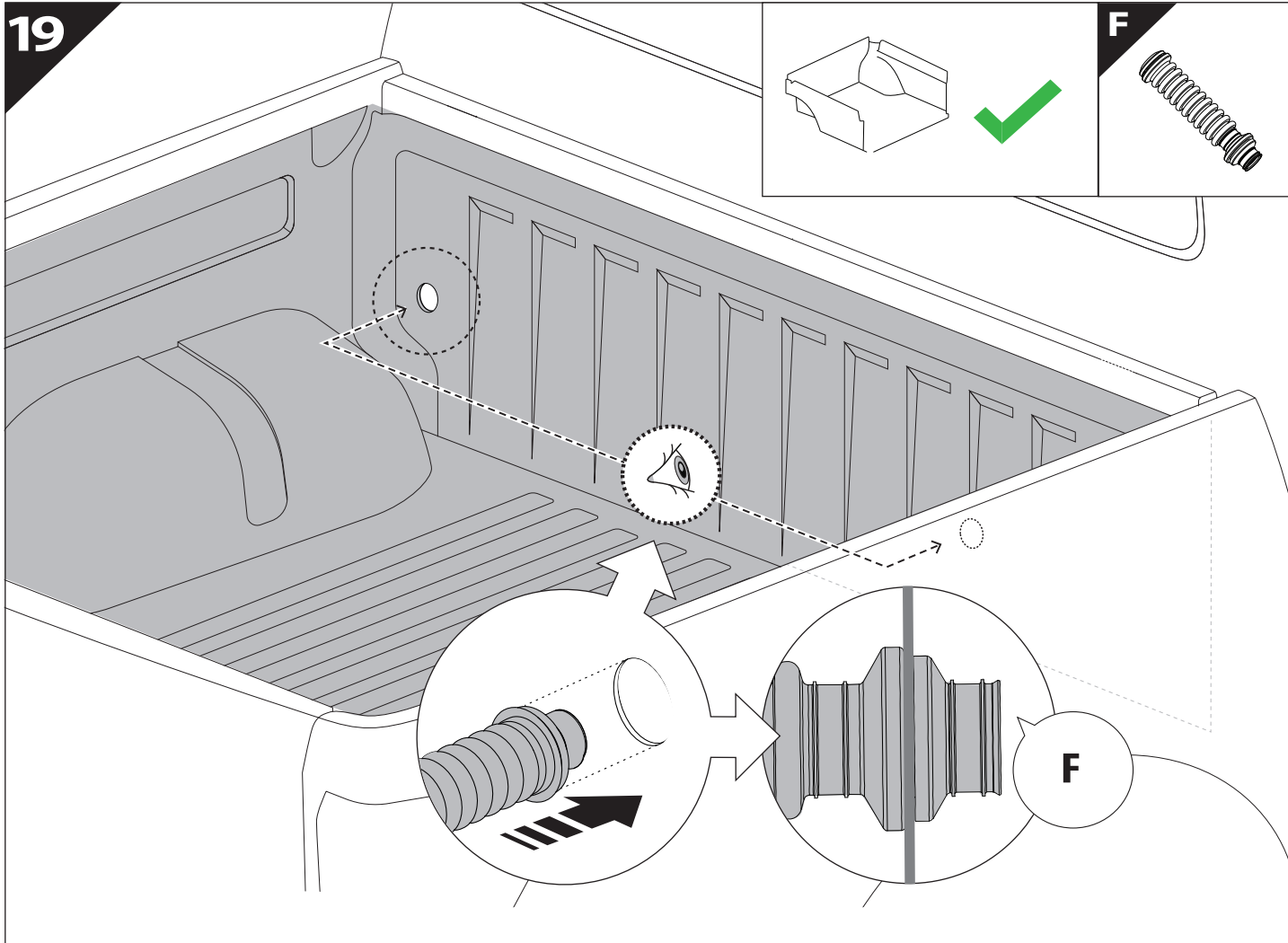


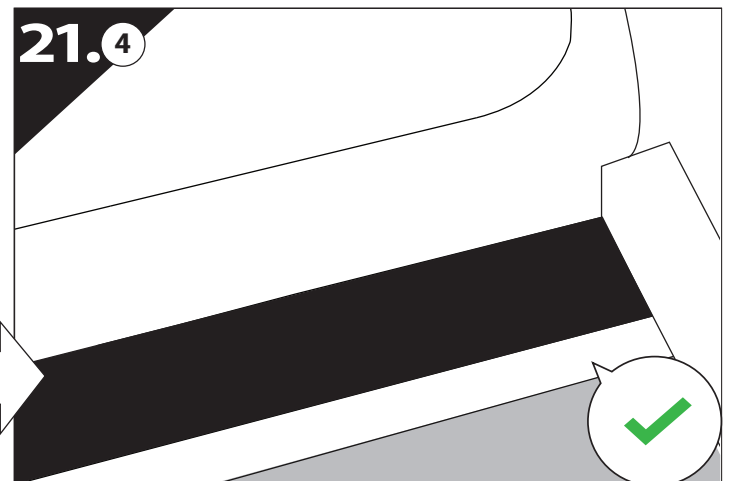
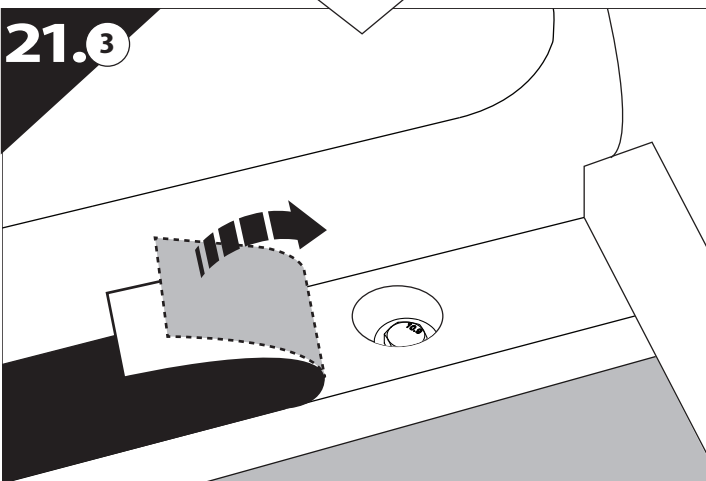
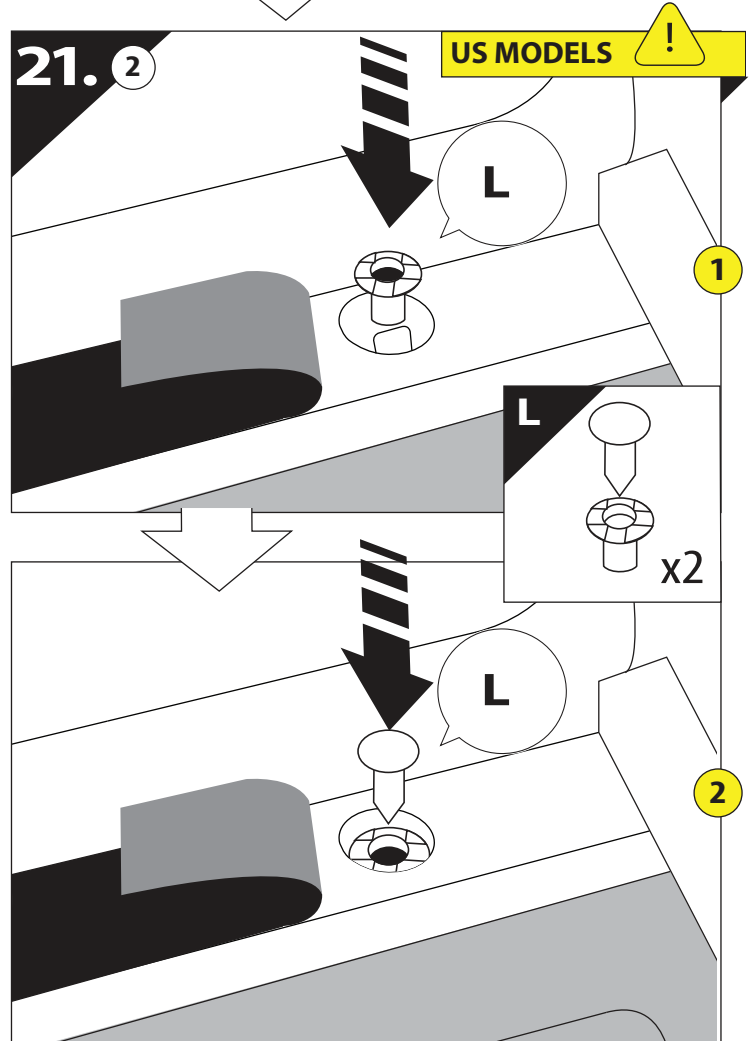
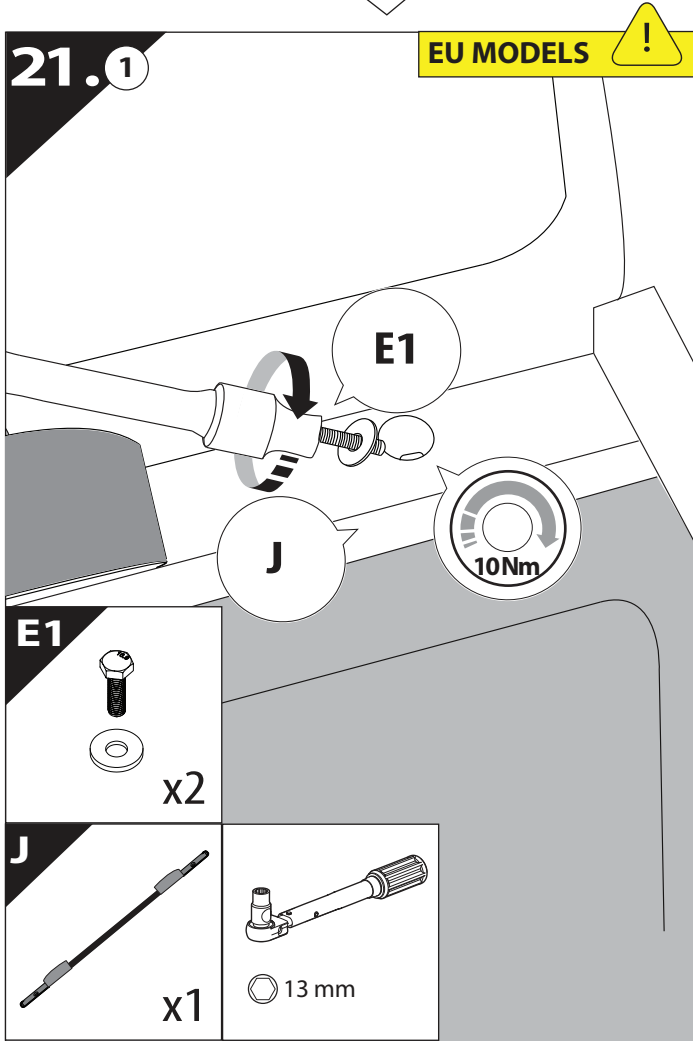
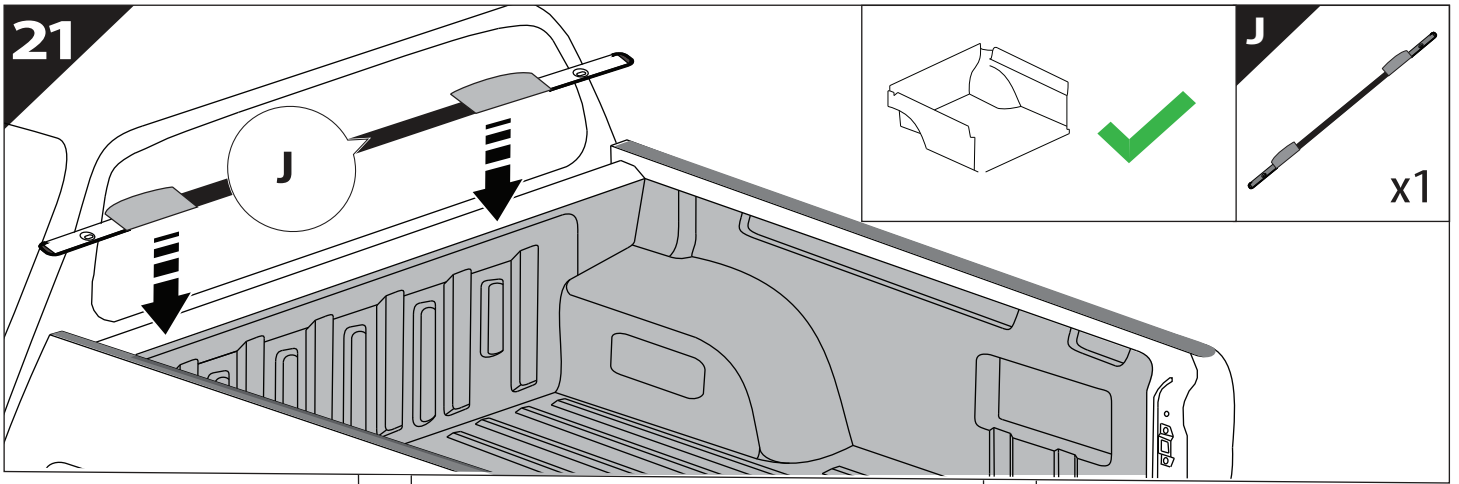
X:610mm Y:340mm



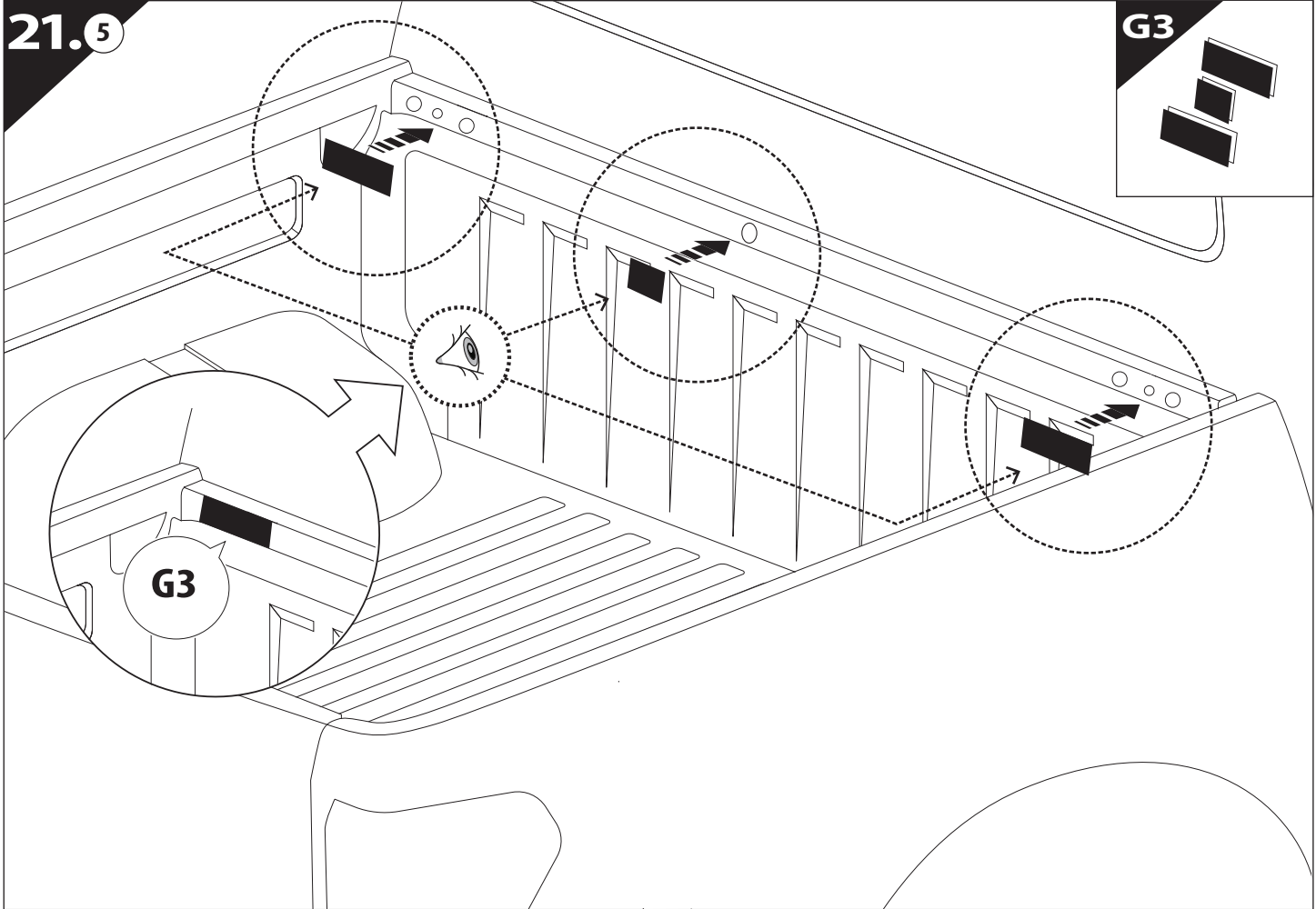
18



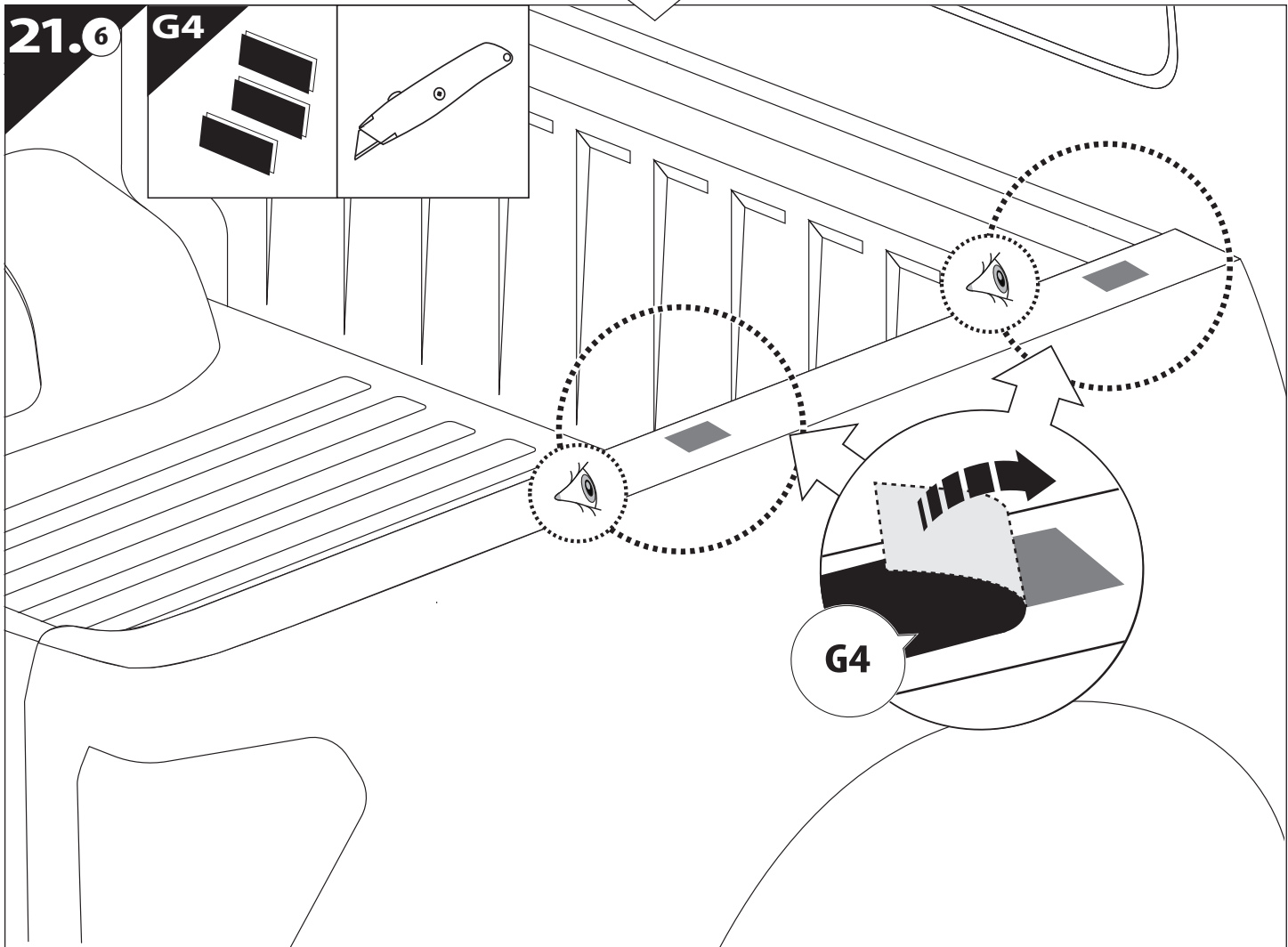
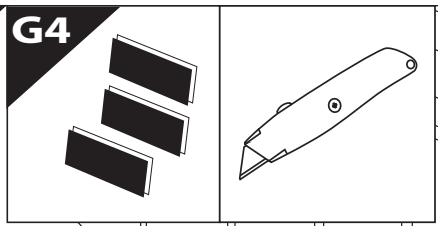


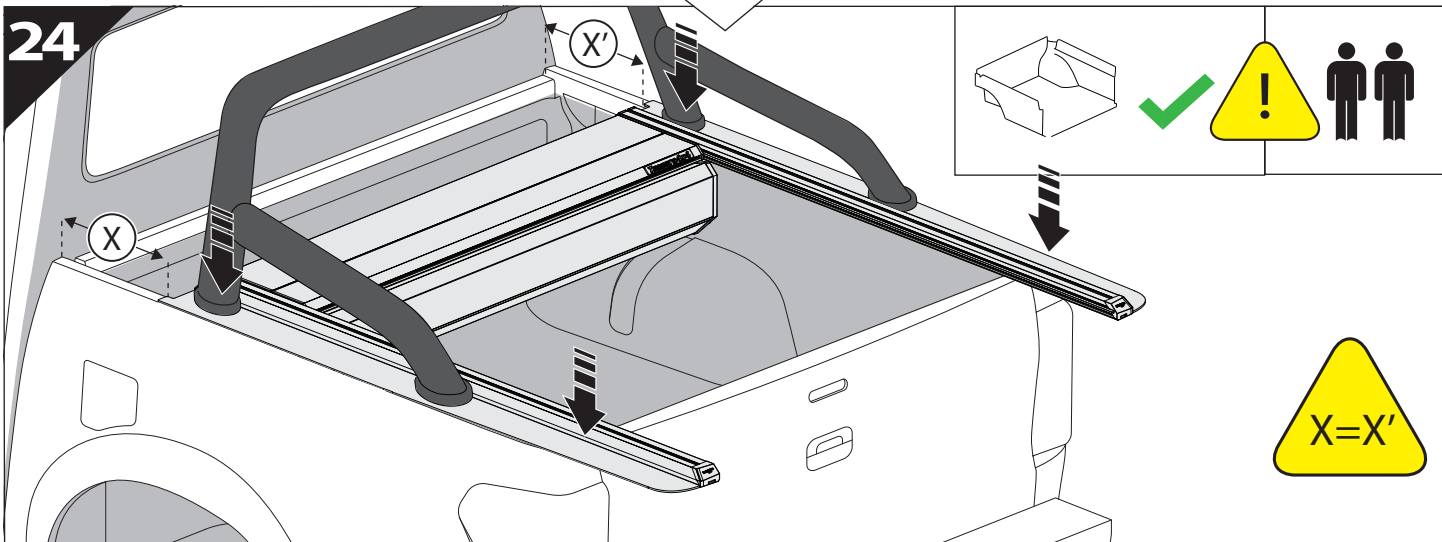
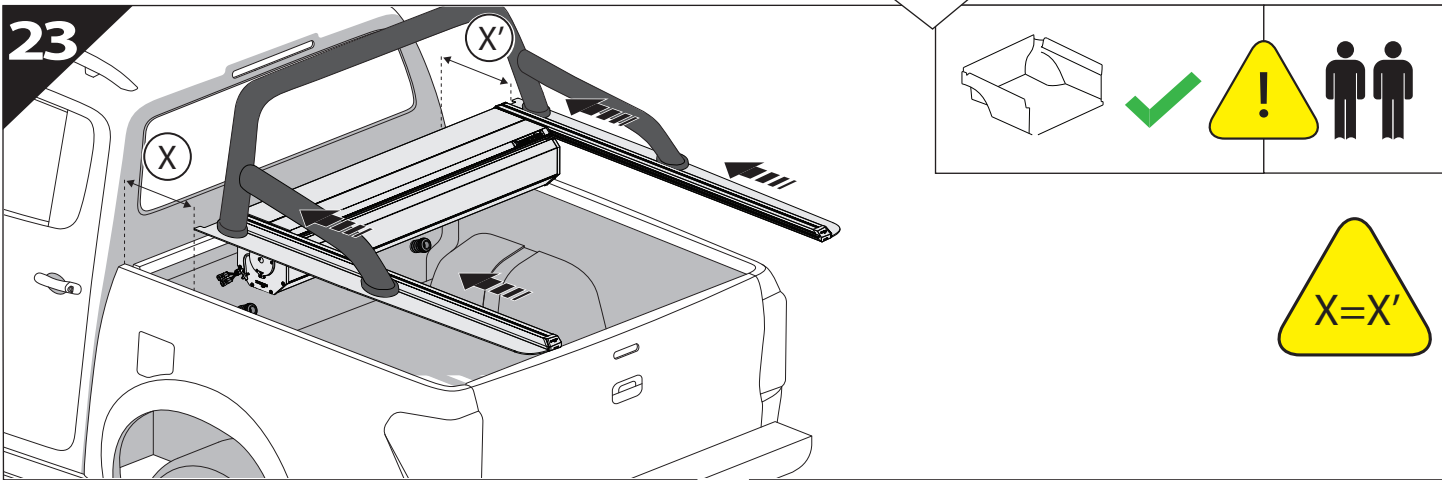
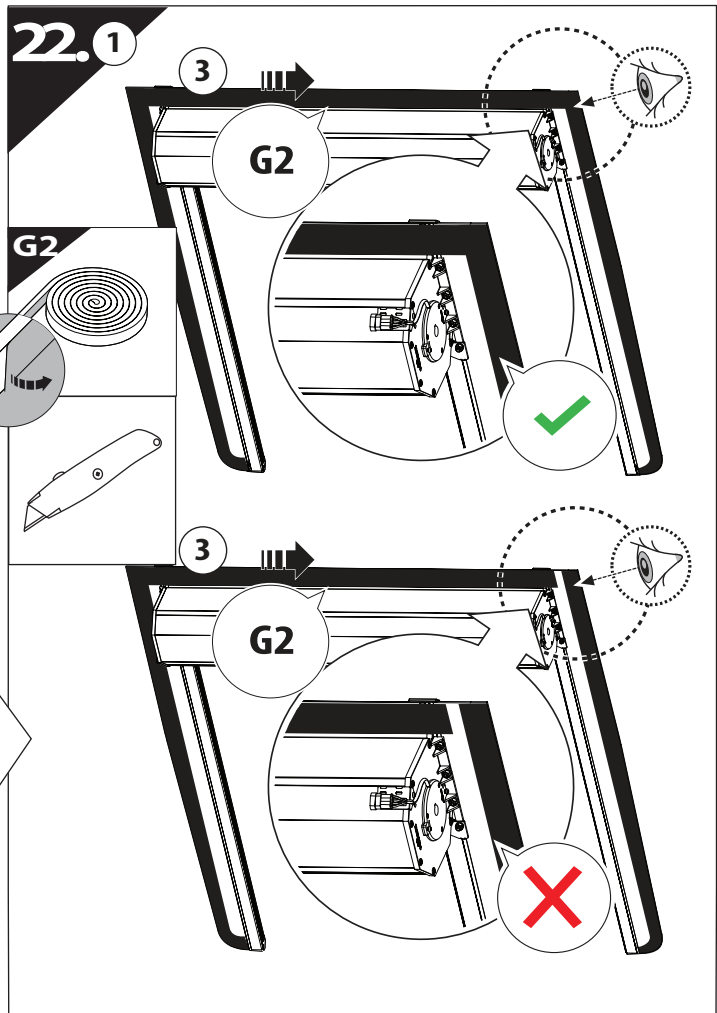
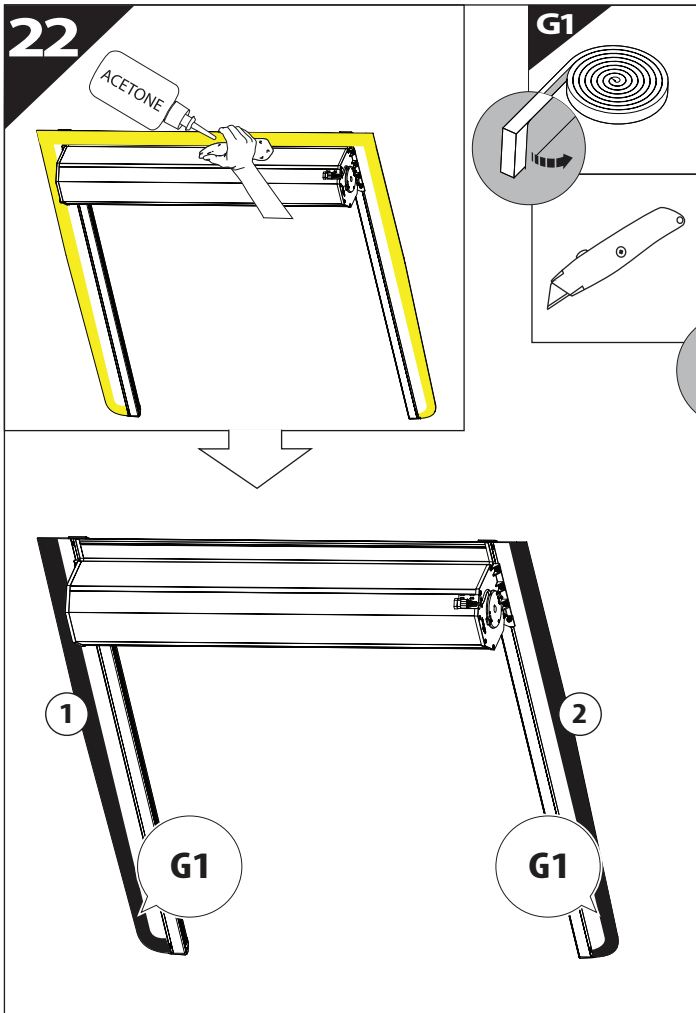


21.5

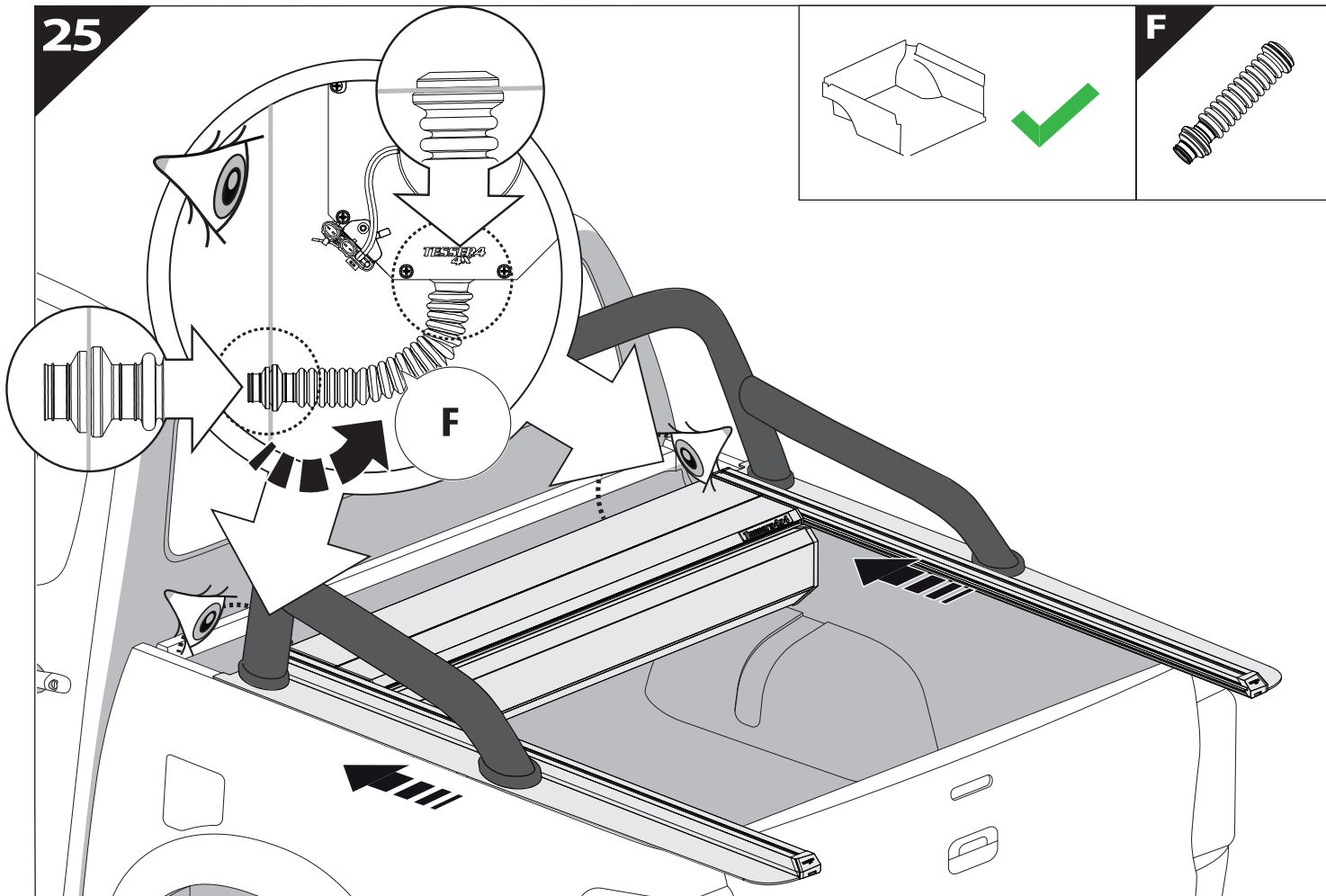


21.6

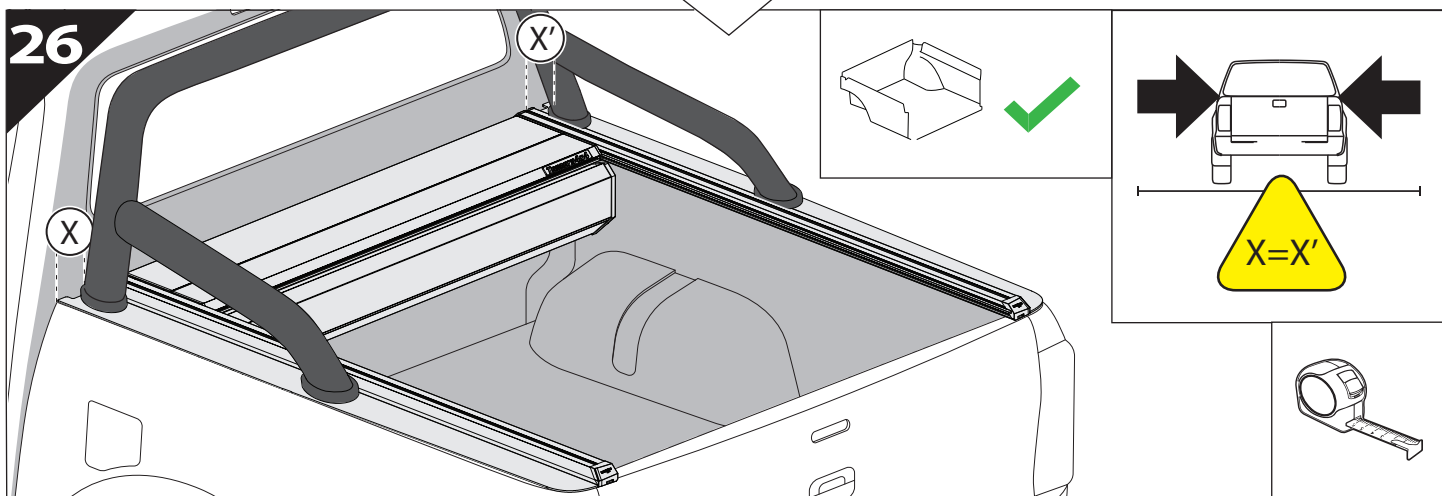




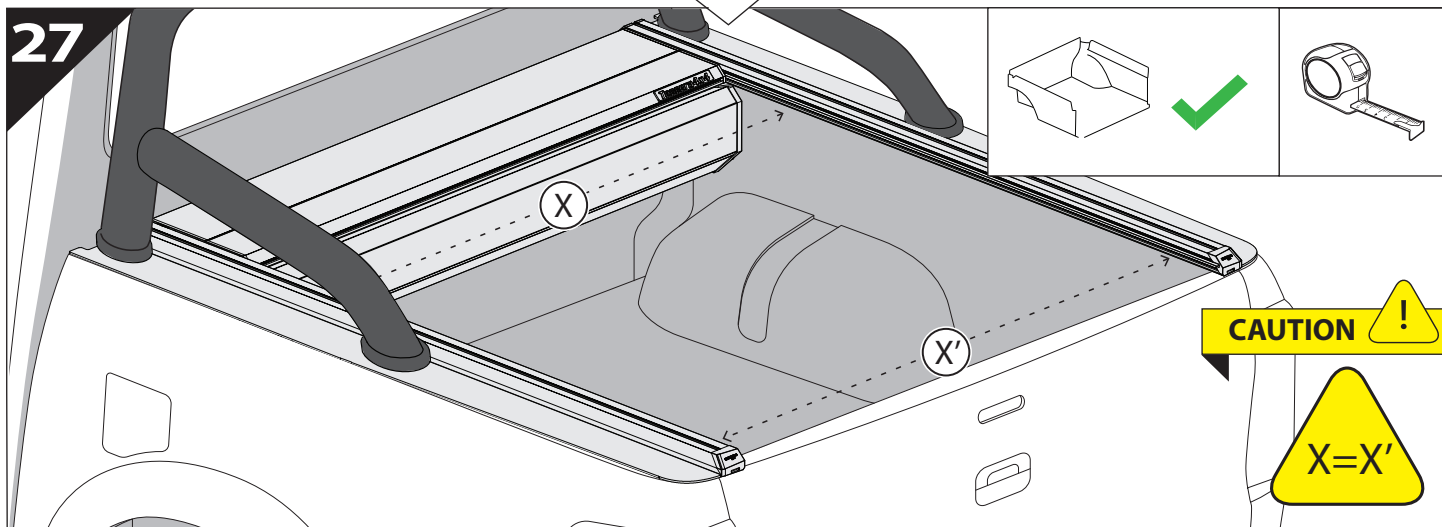
25



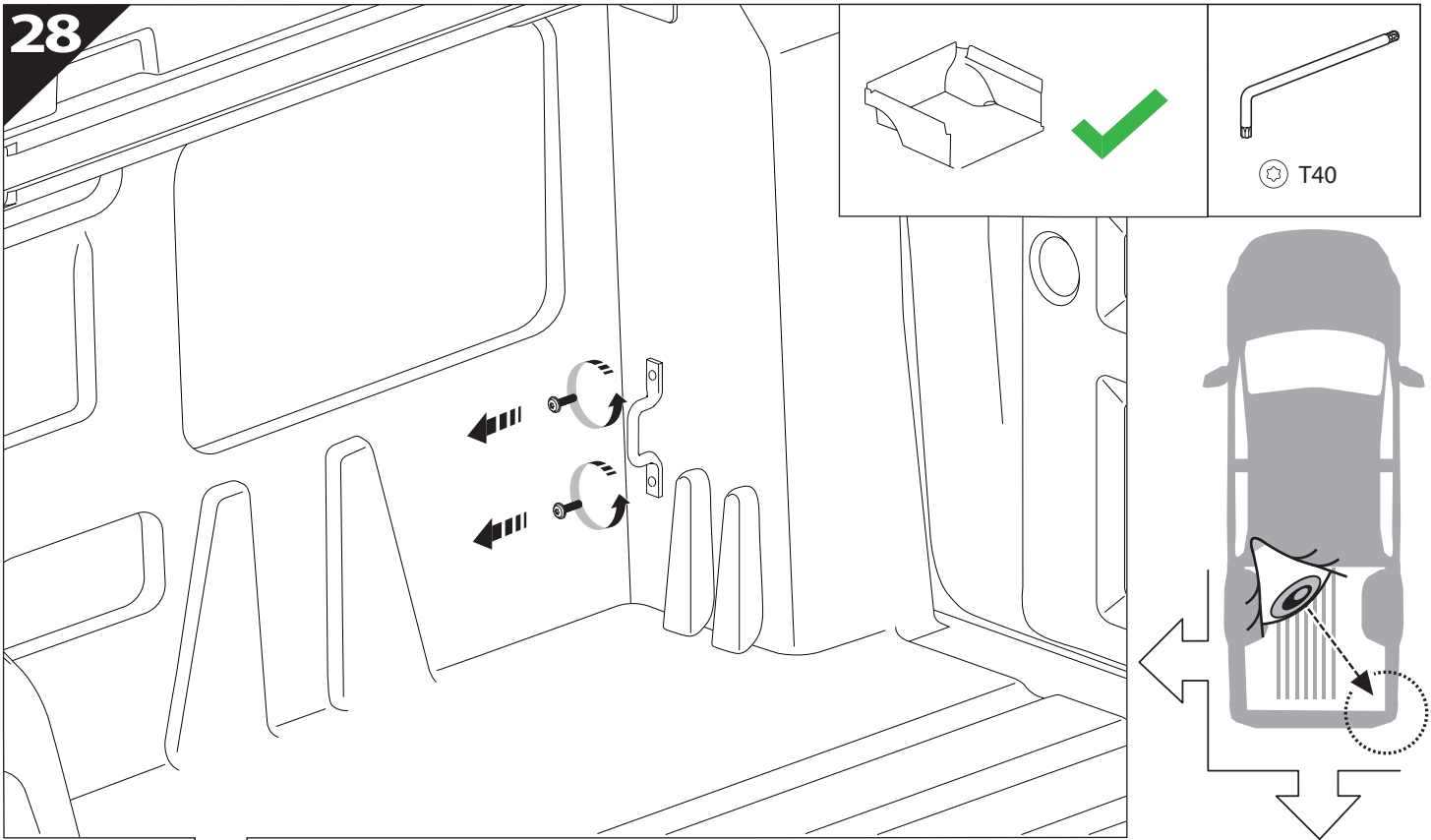
26



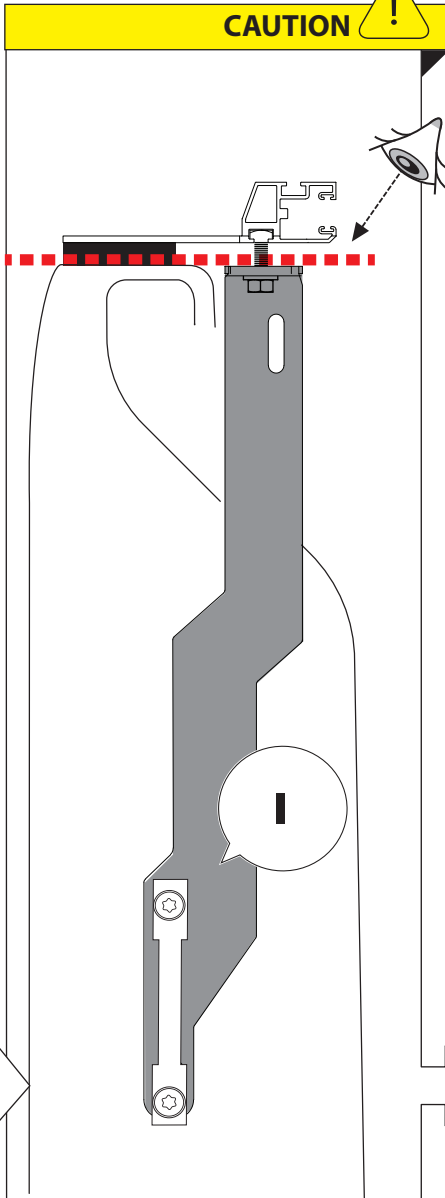
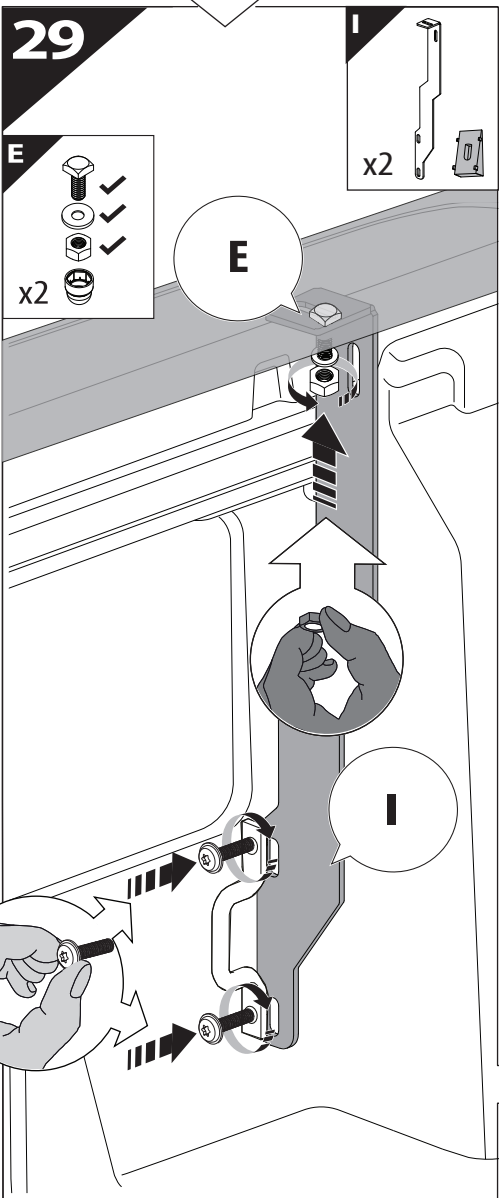
27



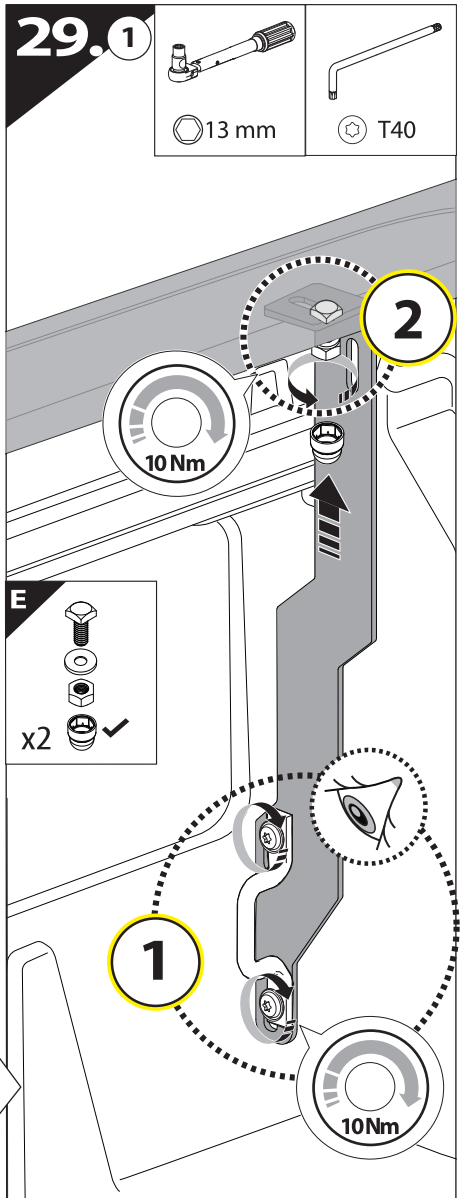
28



29



29.1

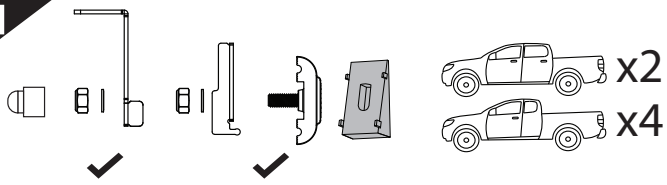


30 A

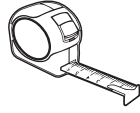
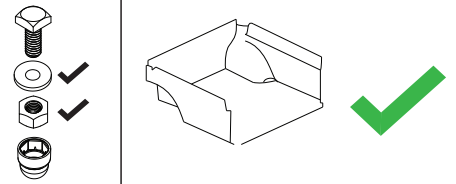


WITHOUT C - CHANNELS

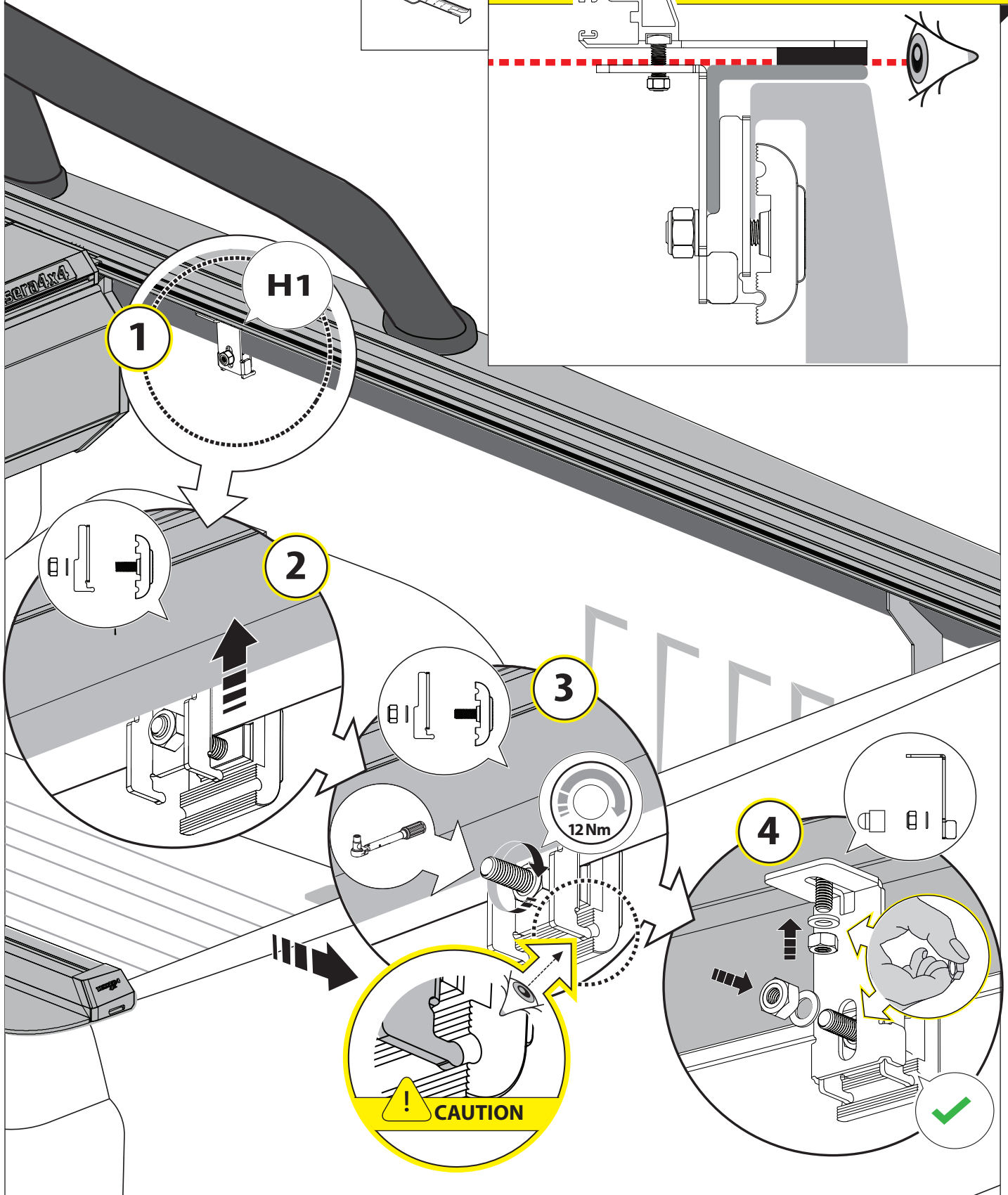
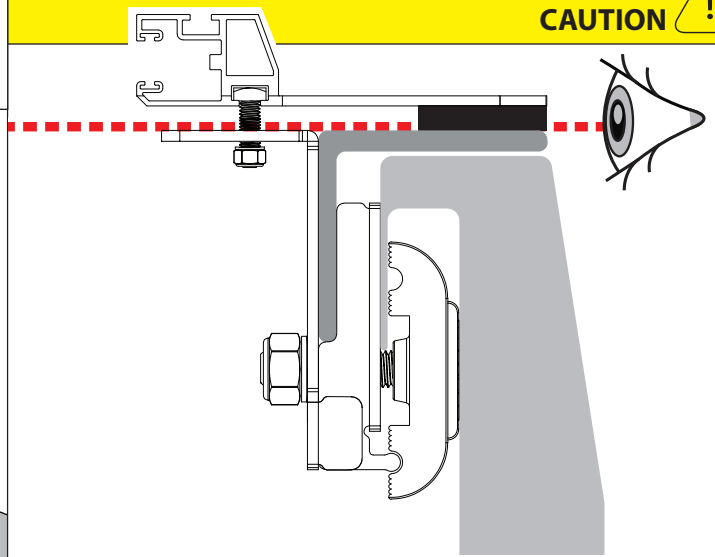
H1

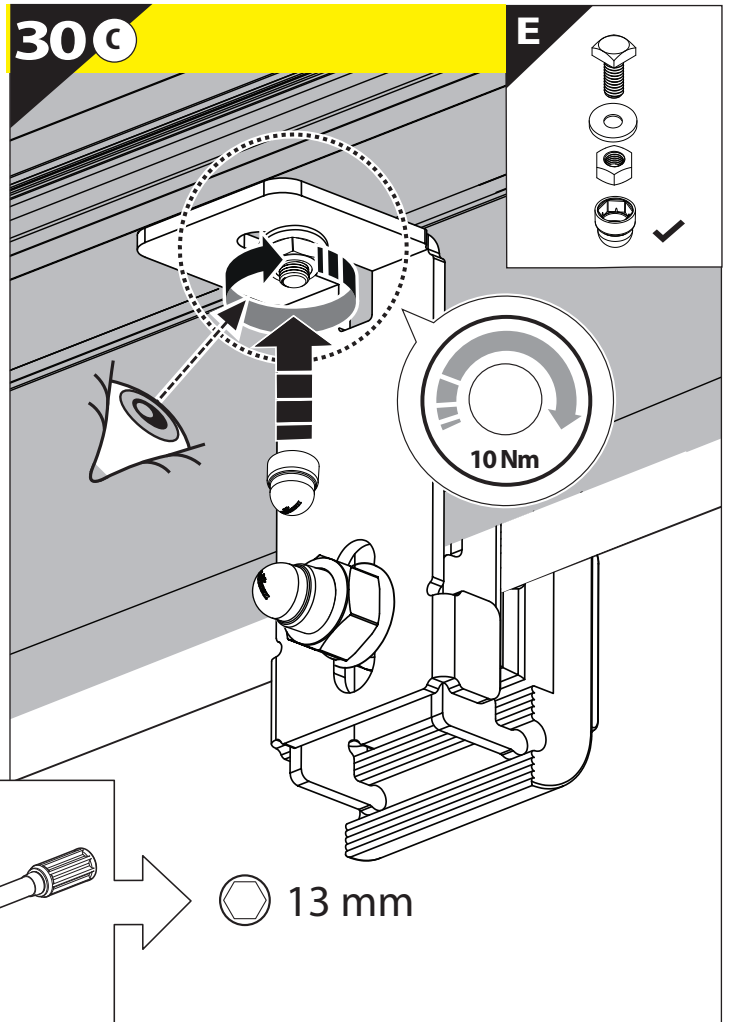
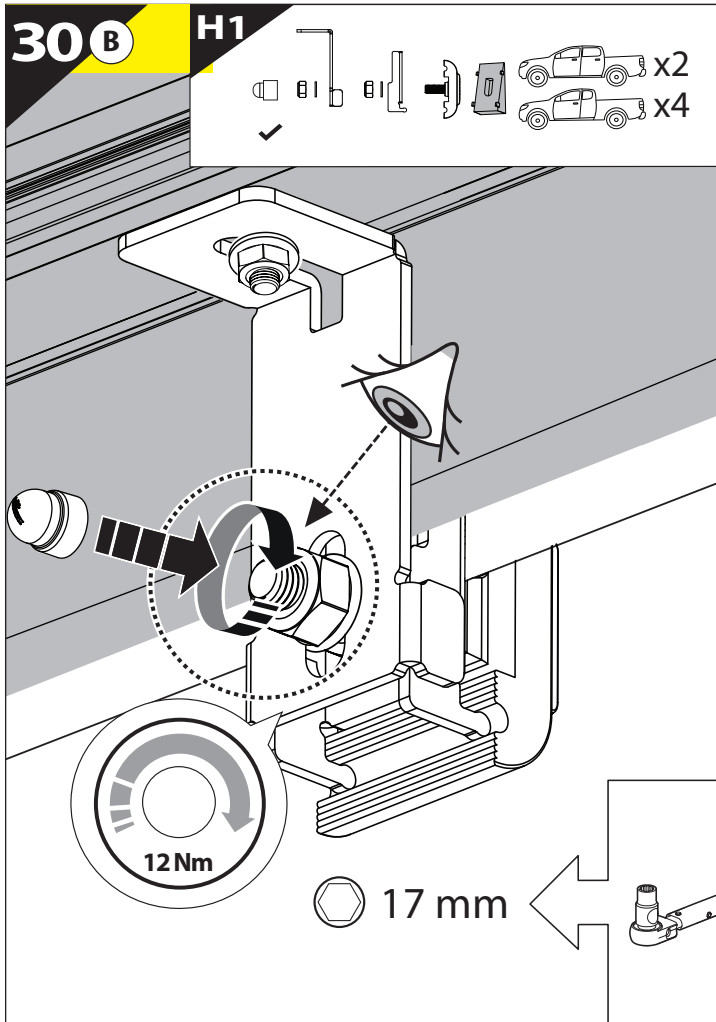


E

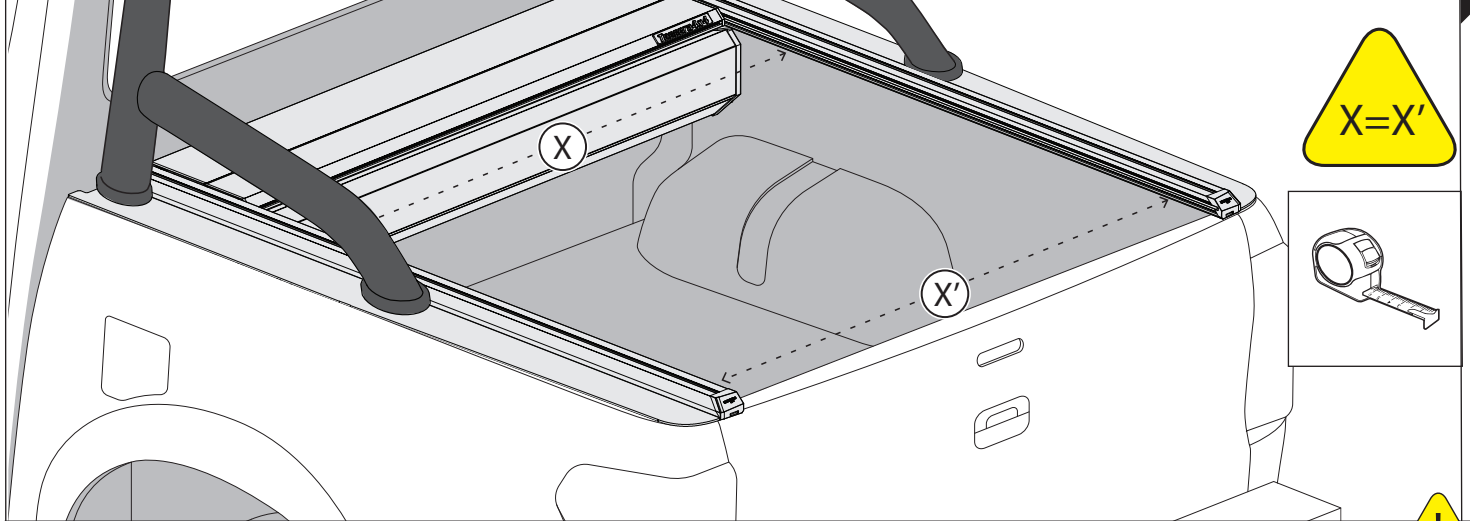


CAUTION

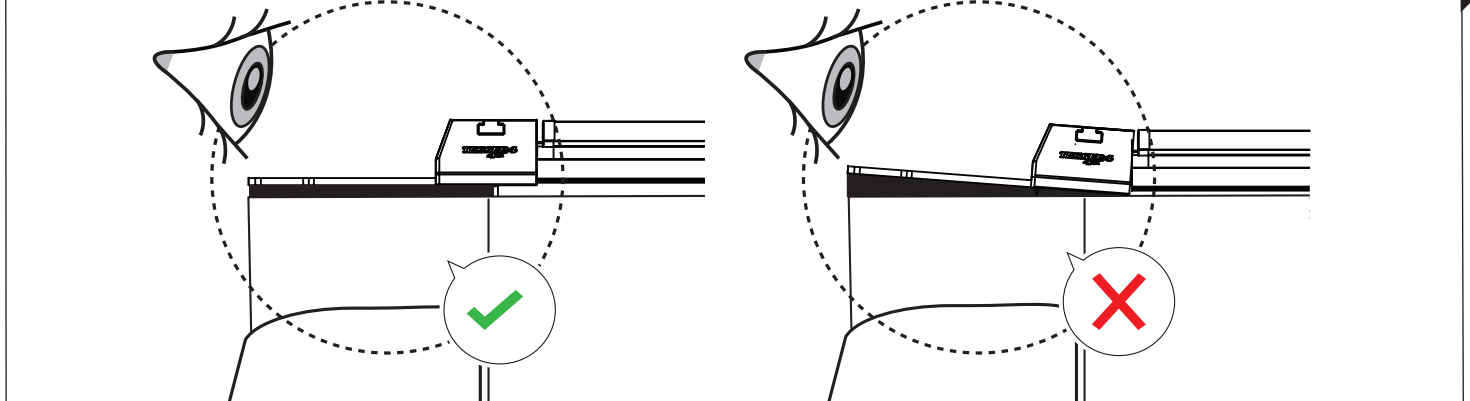




CAUTION !



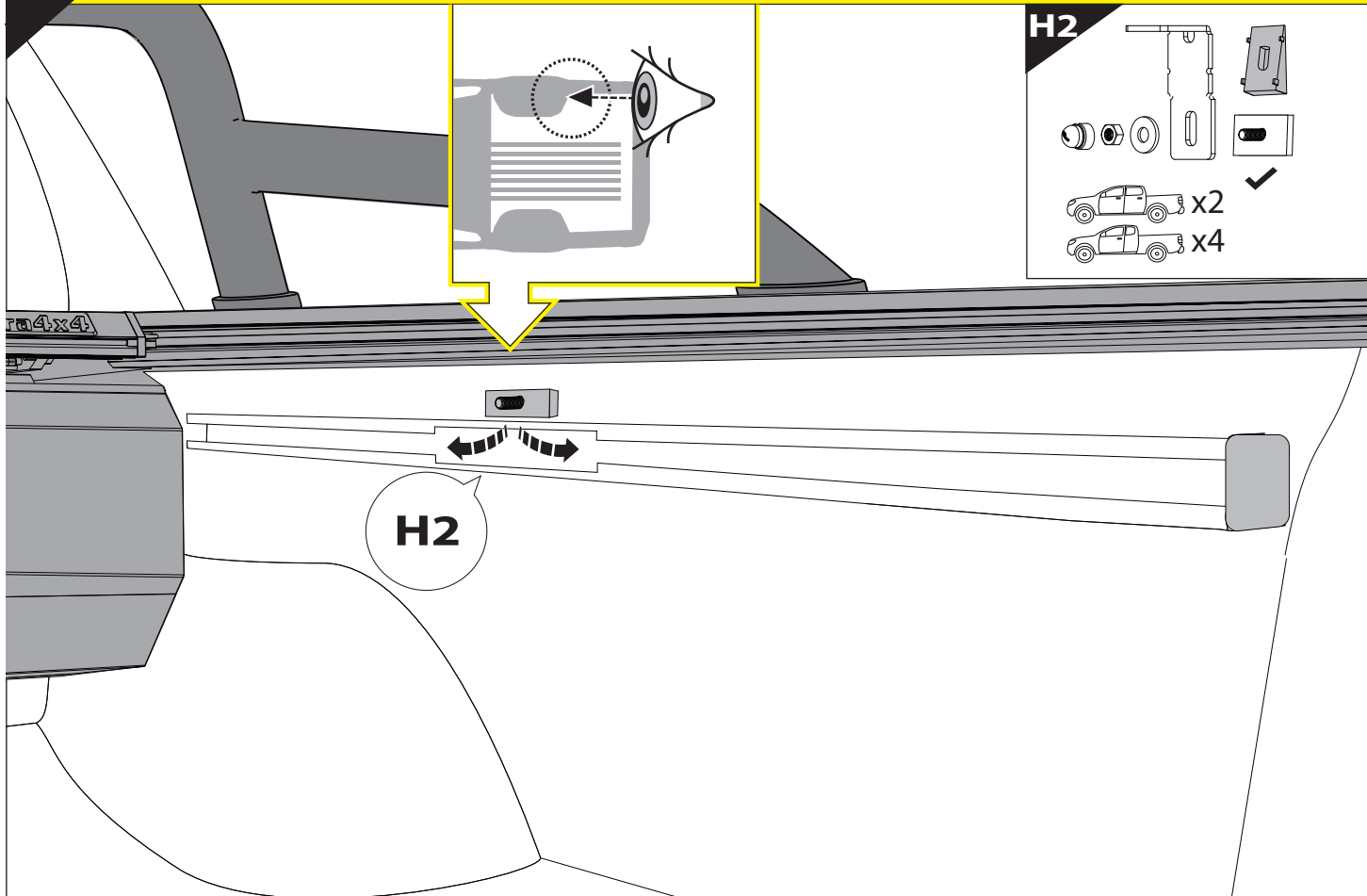
CAUTION !



30A



WITH C - CHANNELS

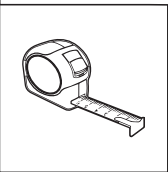
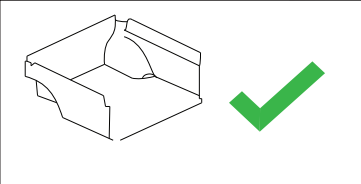
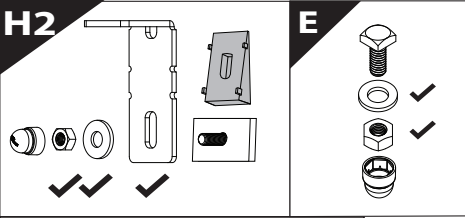


30B

CAUTION !

3 mm I

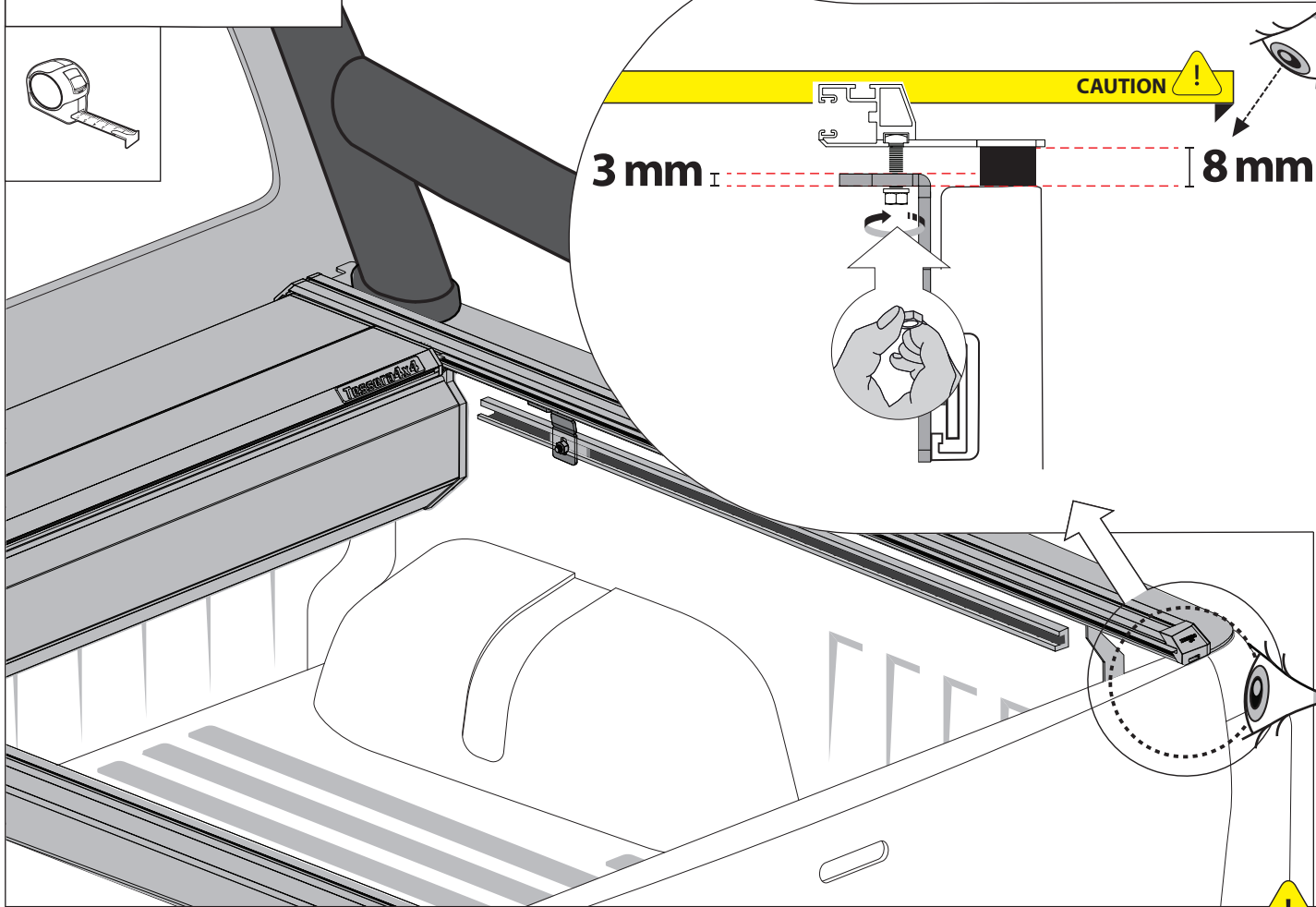
8 mm



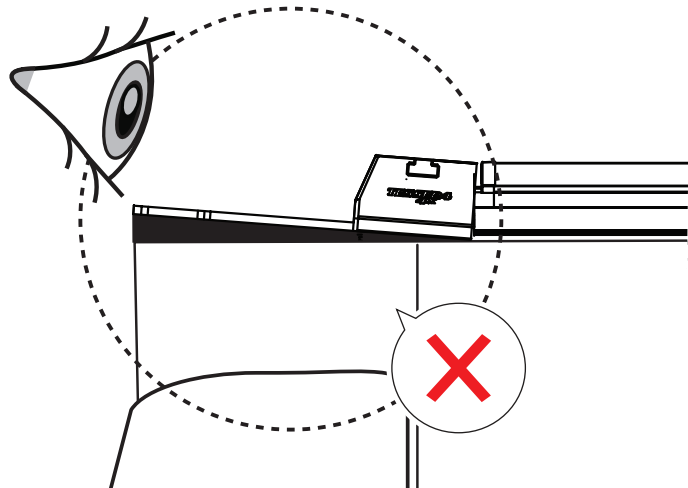
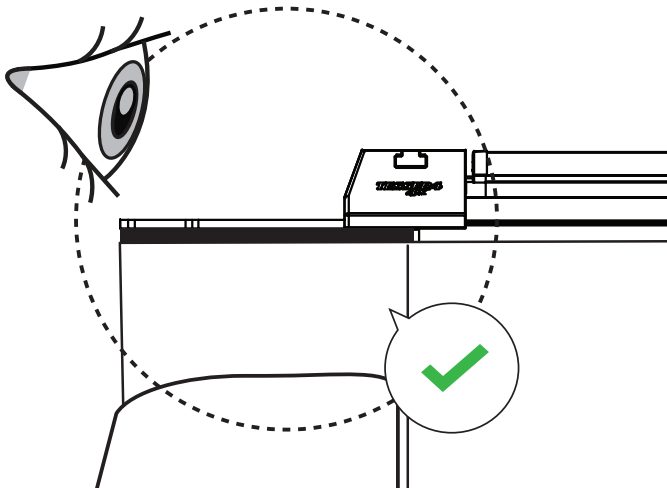
3 mm I

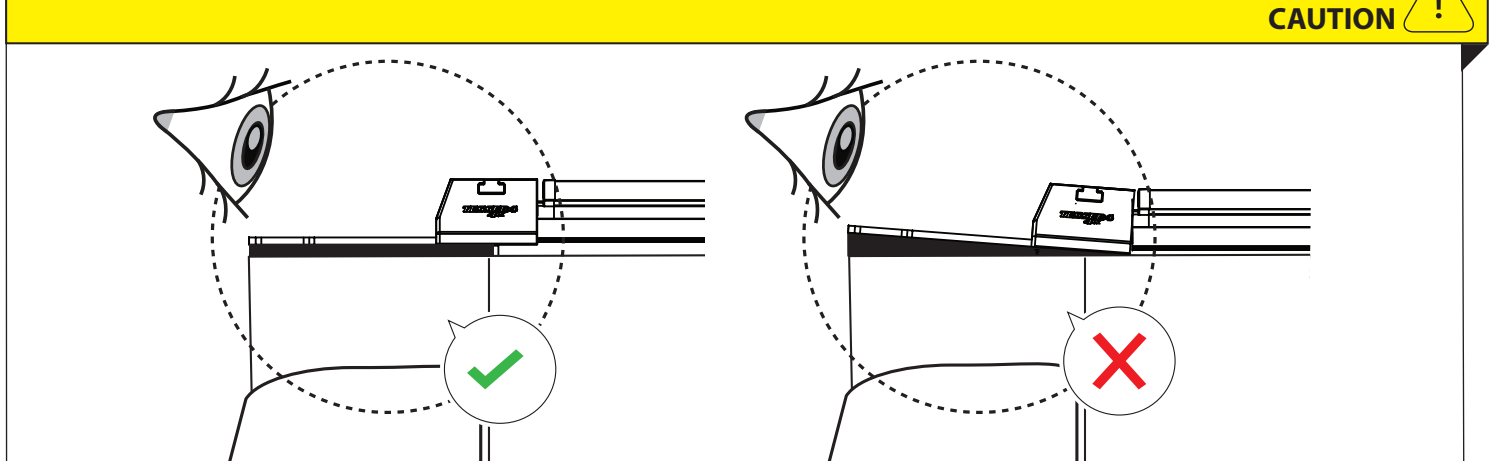
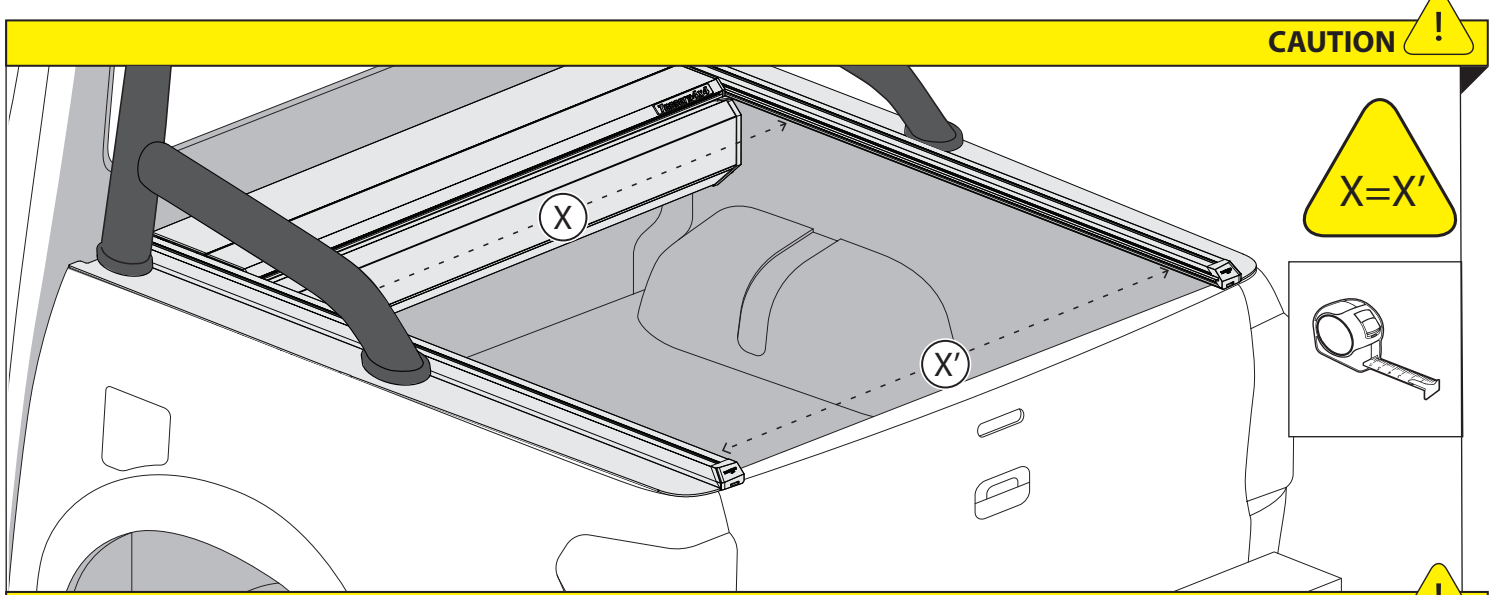
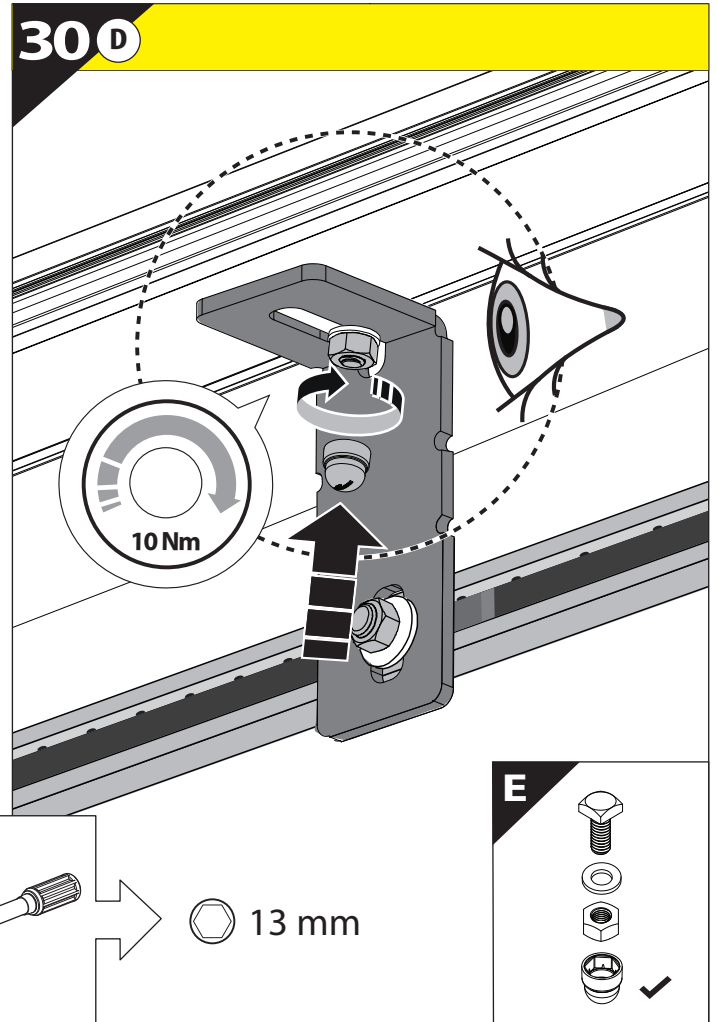
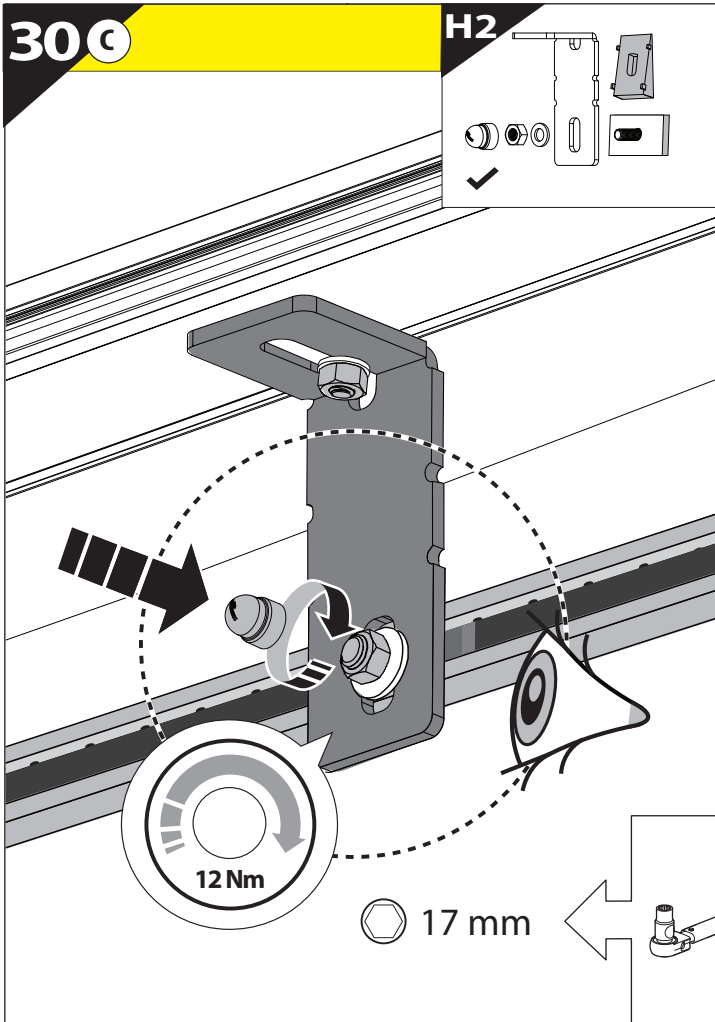
CAUTION !

8 mm

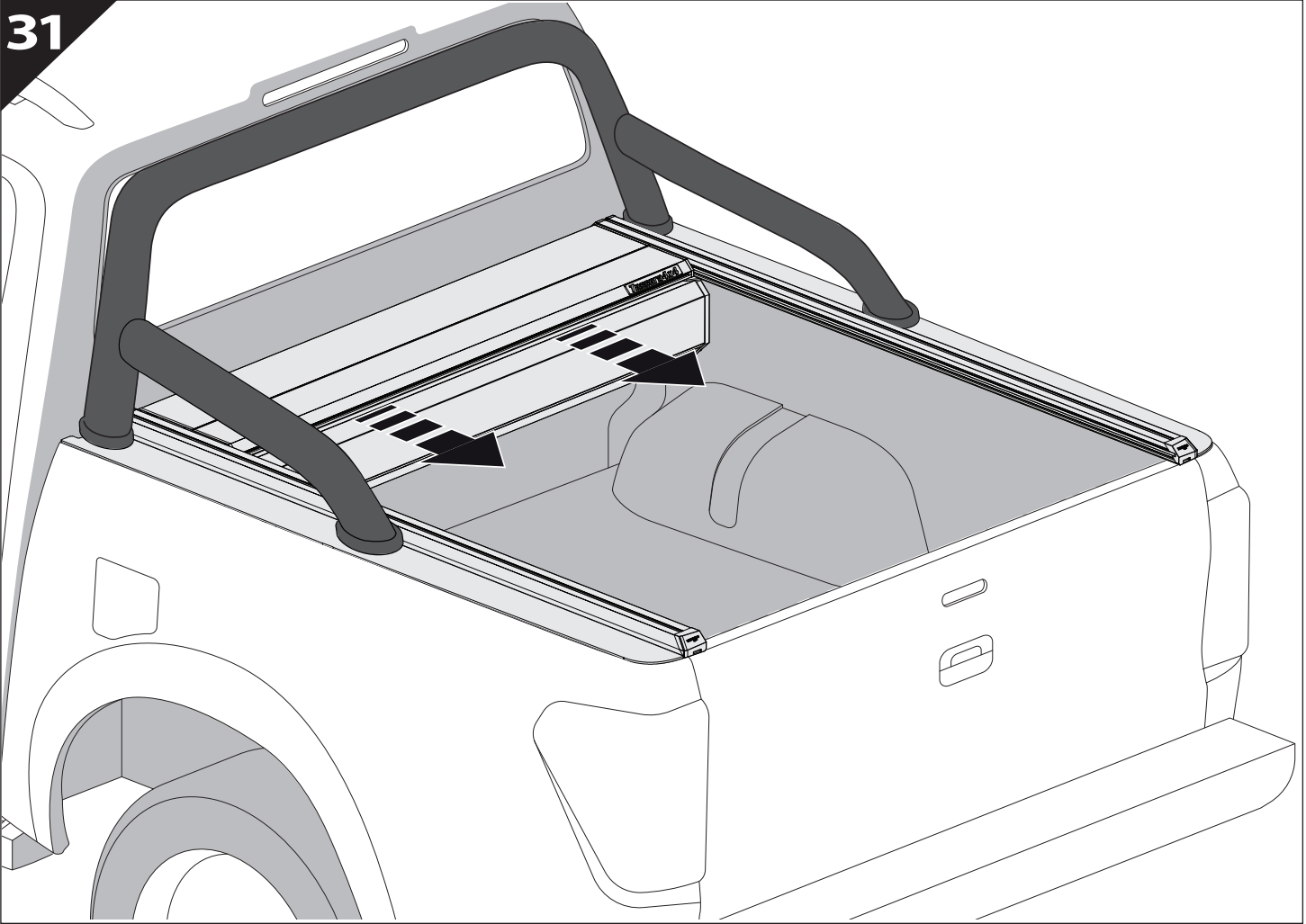


CAUTION !

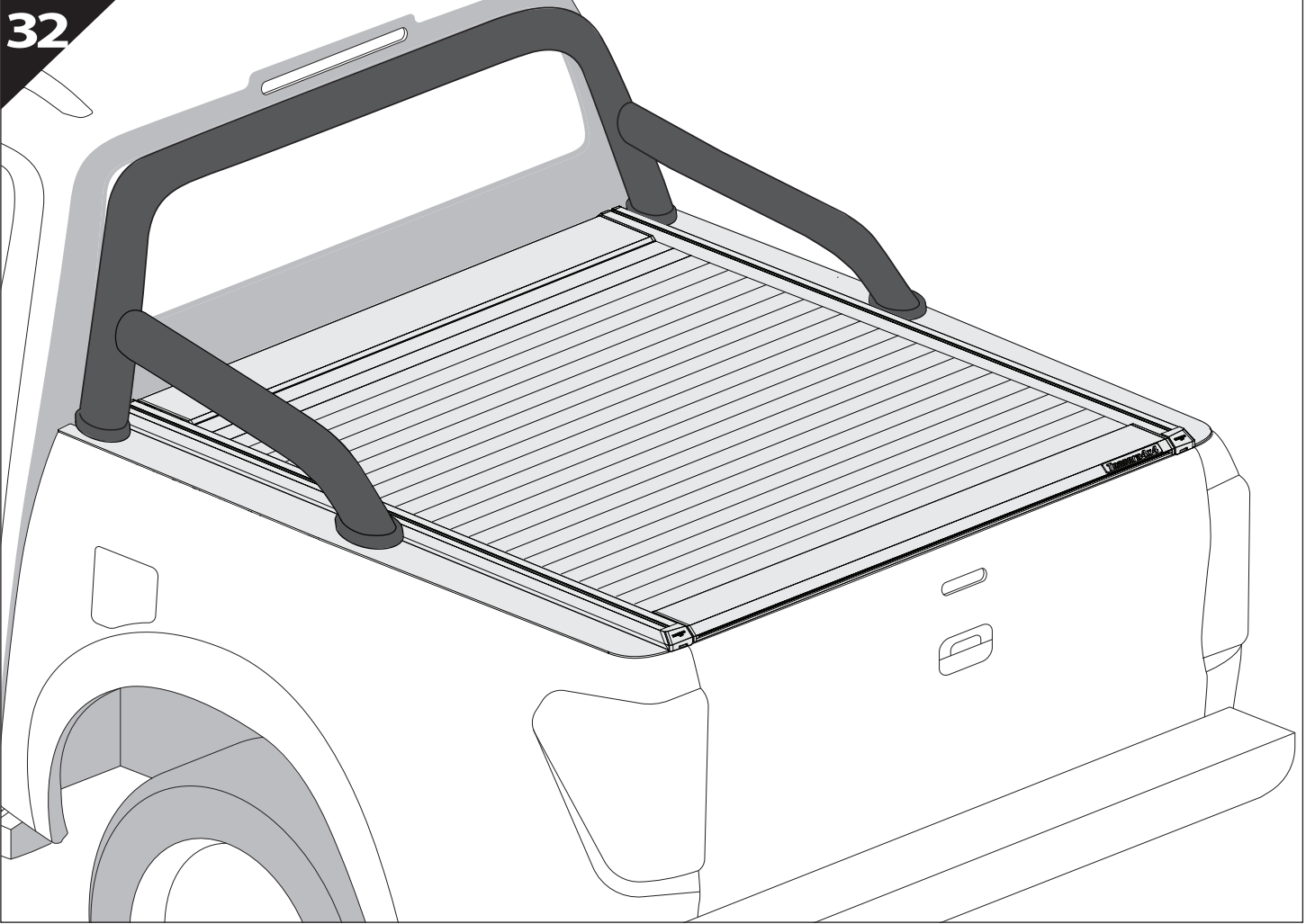




31



32





GR: Οδηγίες Εγκατάστασης
GB: Installation manual
SF: Asennusohje
F: Notice de montage
PL: Instrukcja montażu
NL: Installatie-instructies
TR: Montaj Talimatı
S: Monteringsanvisning
E: Instrucciones de montaje

H: Szerelési utasítás
P: Instruções de instalação
RUS: Инструкция по установке
N: Monteringsveiledning
D: Einbauanleitung
CZ: Návod k instalaci
I: Istruzioni de montaggio
DK: Monteringsvejledning
RO: Instructiuni de instalare

Customer Service:

+30 (210) 5541161, +30 (210) 5541154 (08:00 - 16:00 EET)

Support department:

info@gianso.gr

Website:

www.tessera4x4.com

Address:

19.5 km of National road Athens-Korinthos (Elefsina) Greece, P.C: 19200