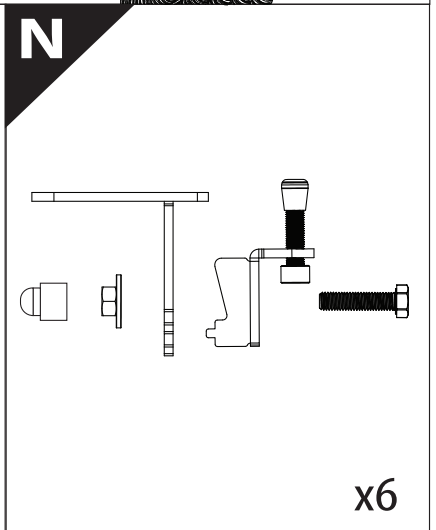
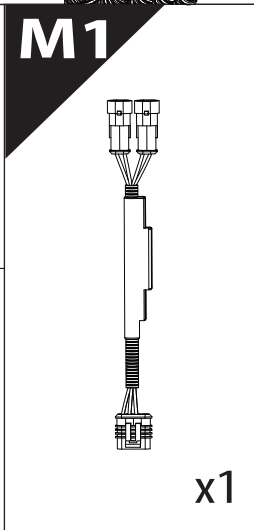
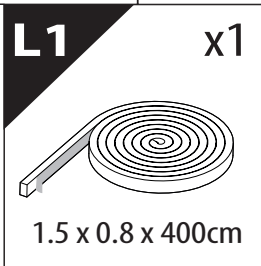
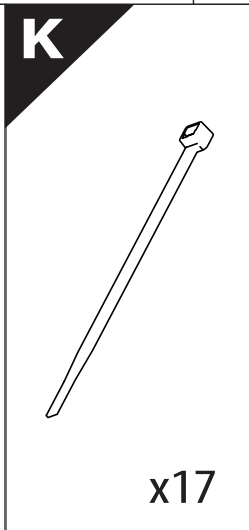
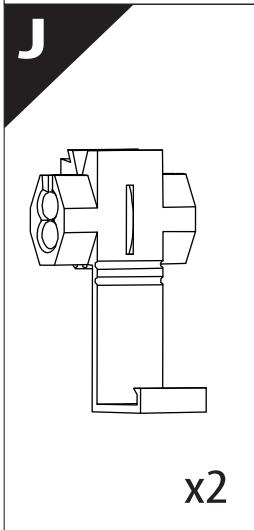
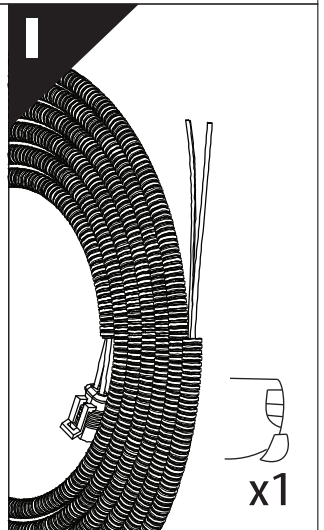
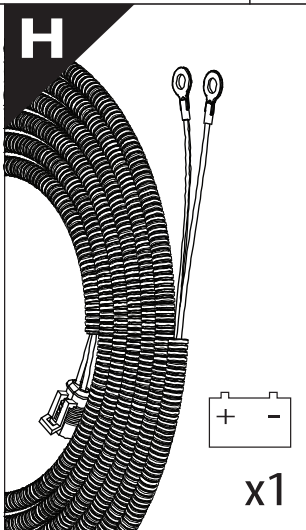
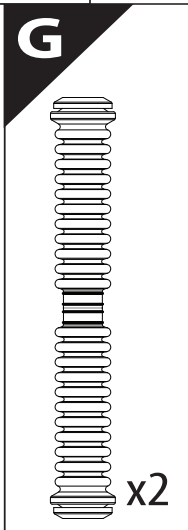
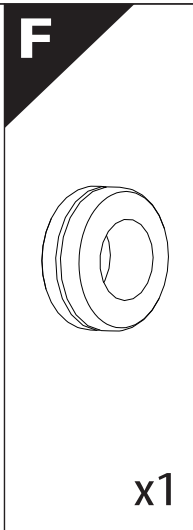
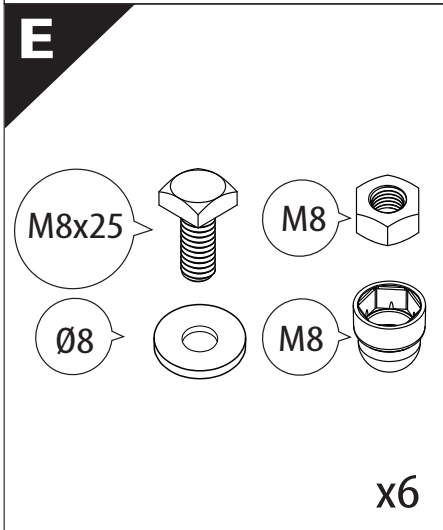
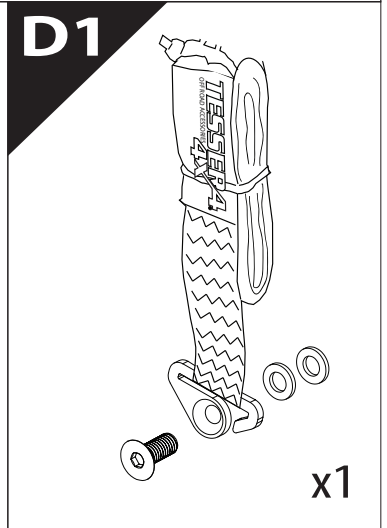
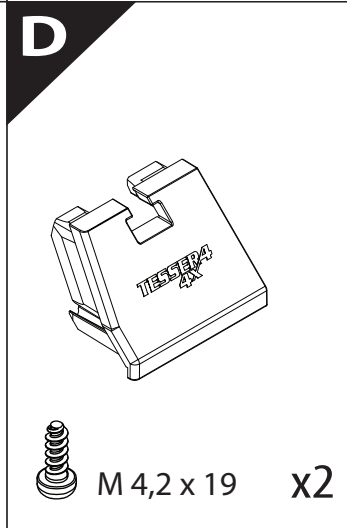
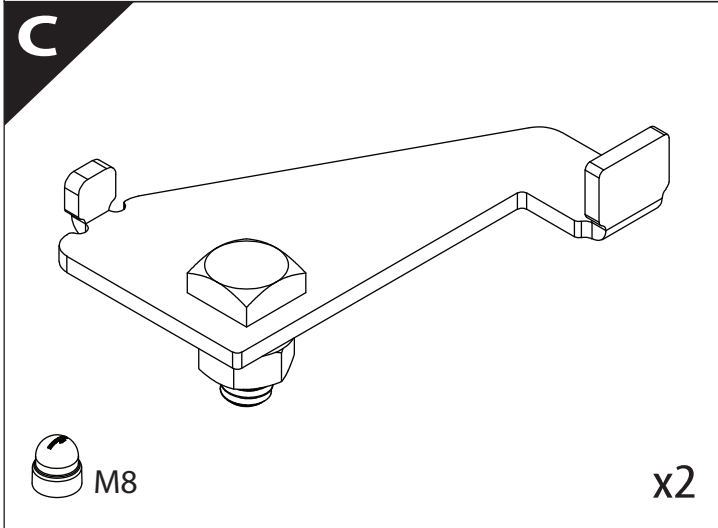
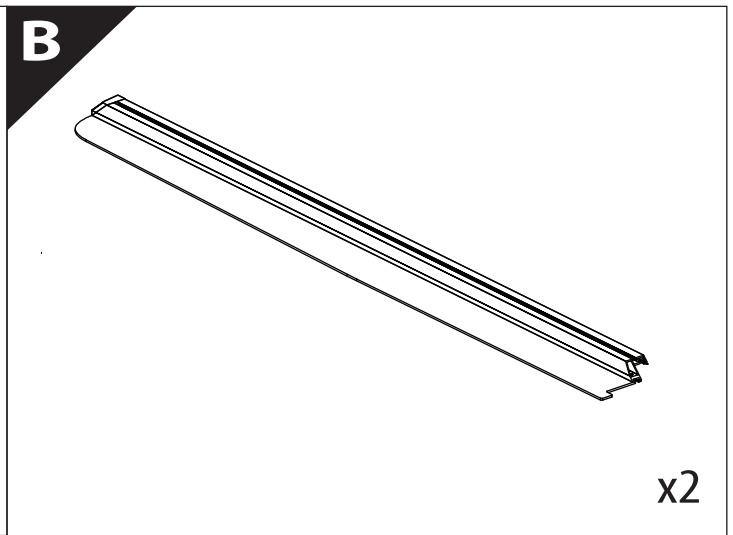
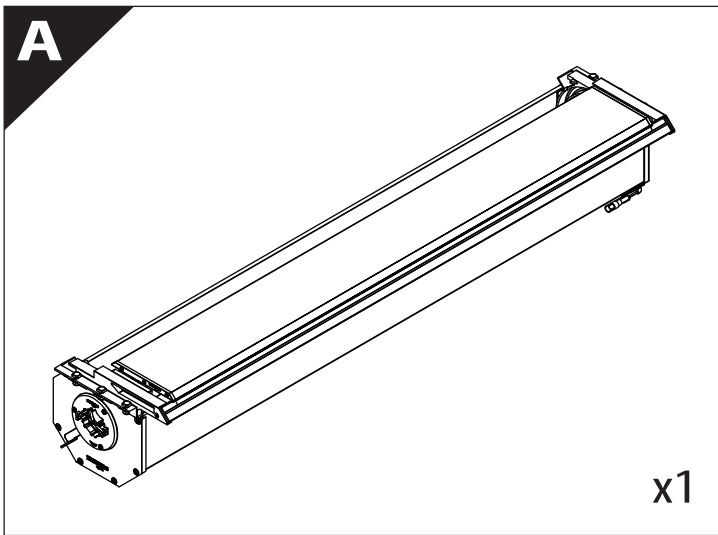


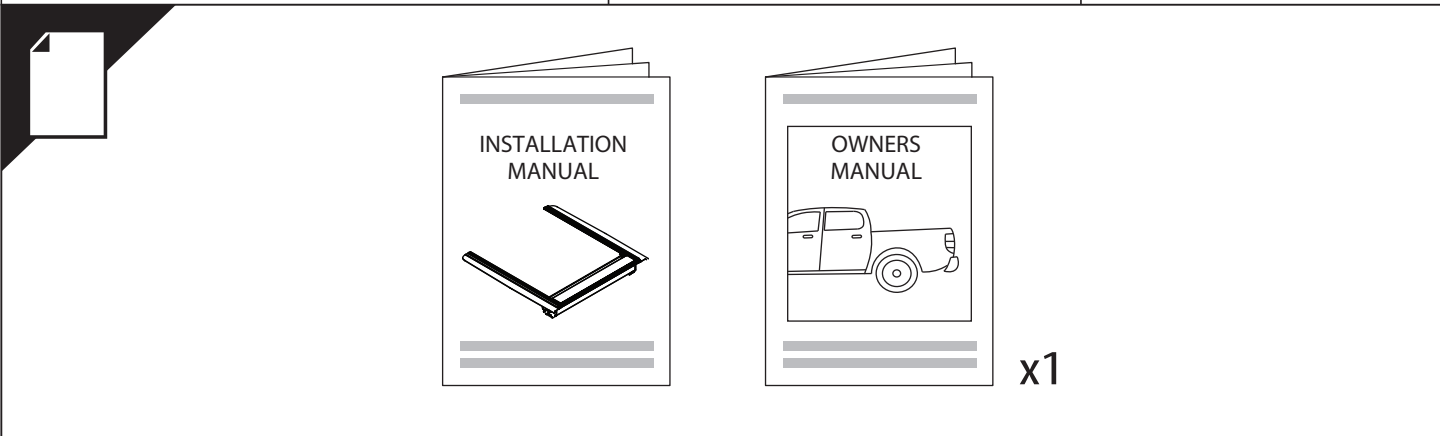
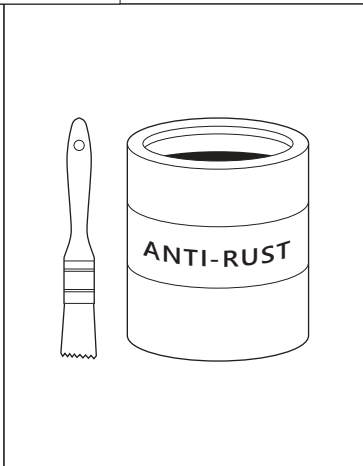
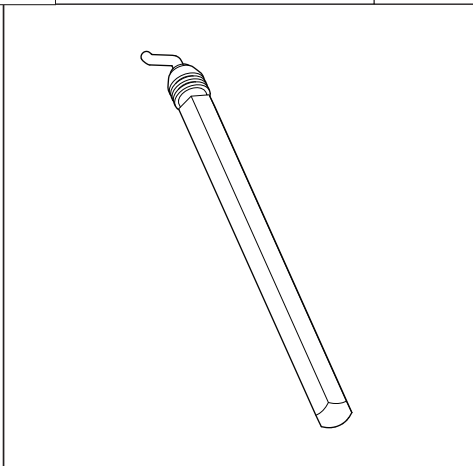
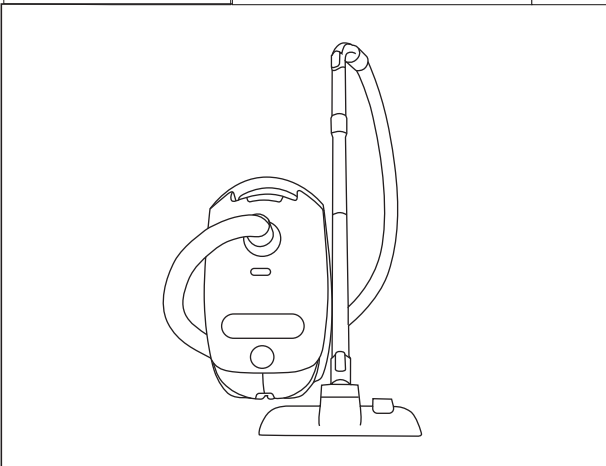
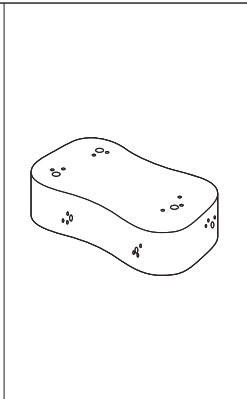
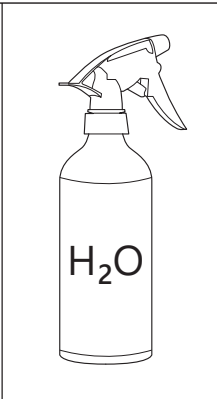
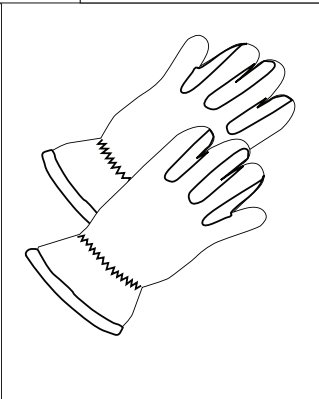
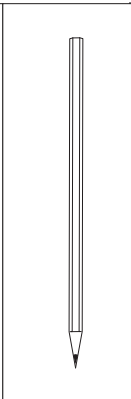
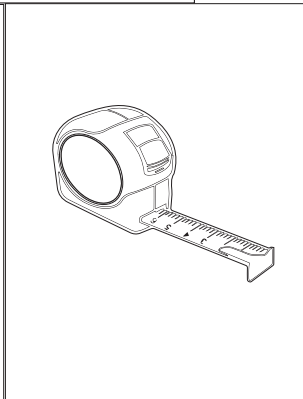
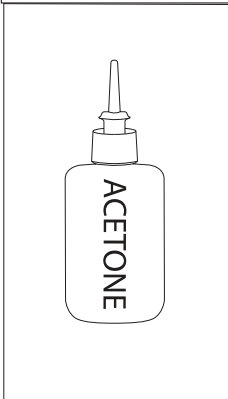
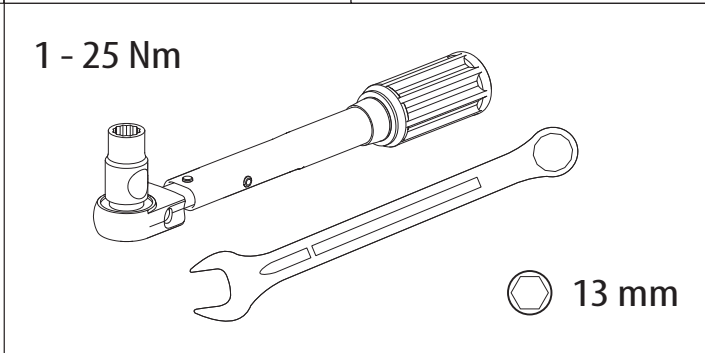
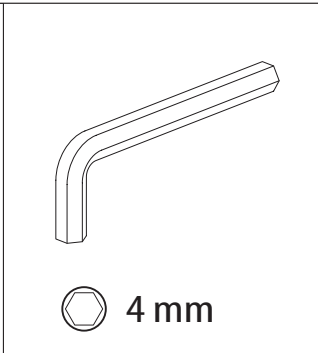
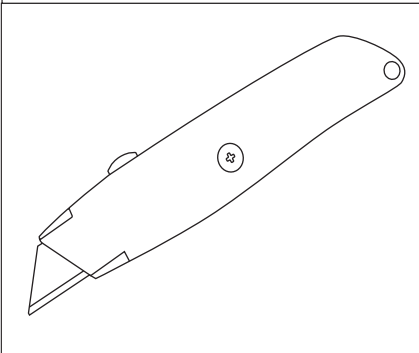
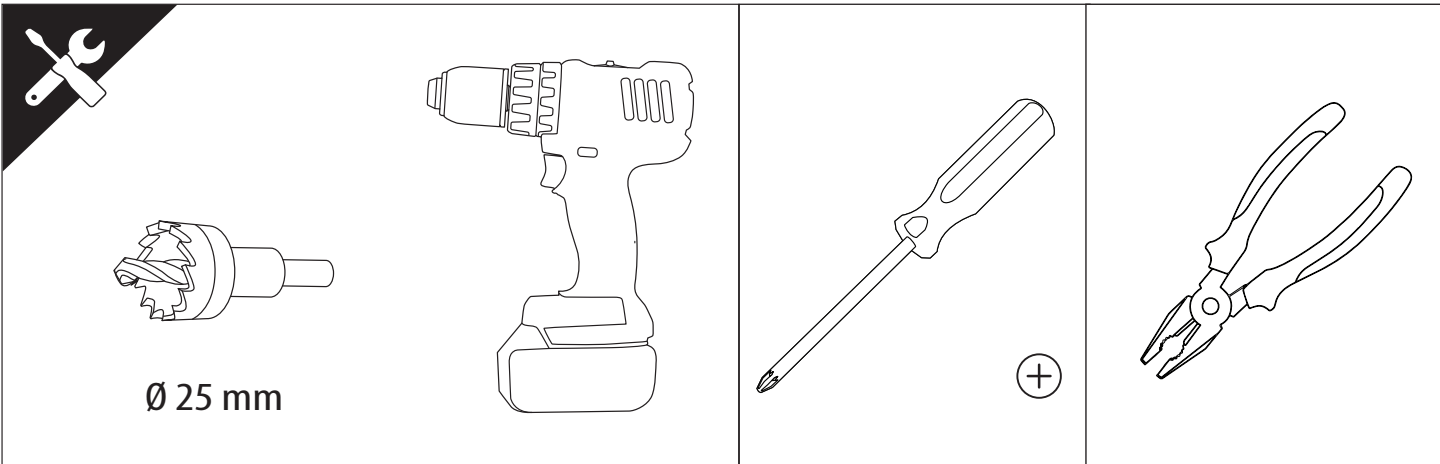


## Installation Manual

PART NUMBER(S)	Model Year
TESS 1425 ROLL	Chevrolet Silverado 2014 -> 2018 & 2019+
TESS 1428 ROLL	
Cab(s)	Installation Time / Weight
Short Bed 5.8" & Standard Bed 6.6"	40-60 minutes / 53-57 kg

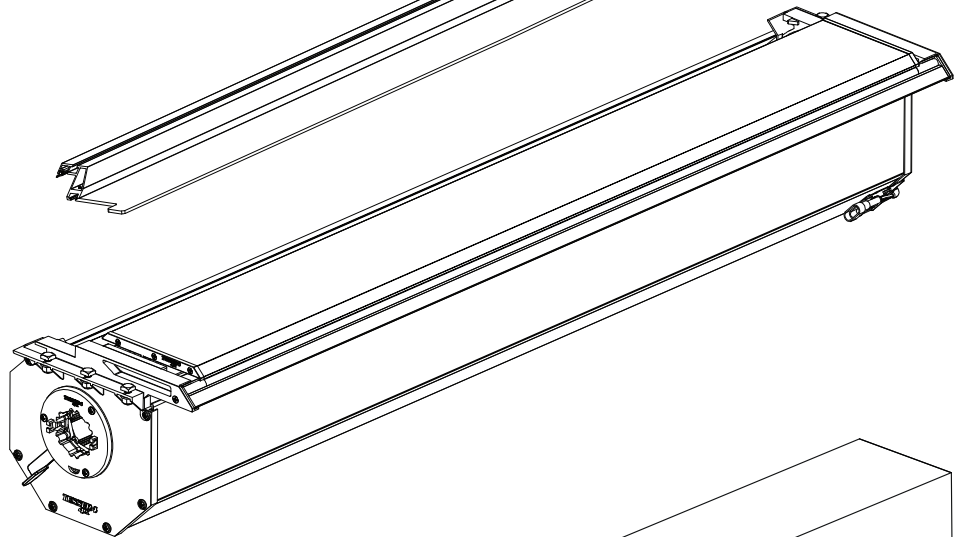








**B**



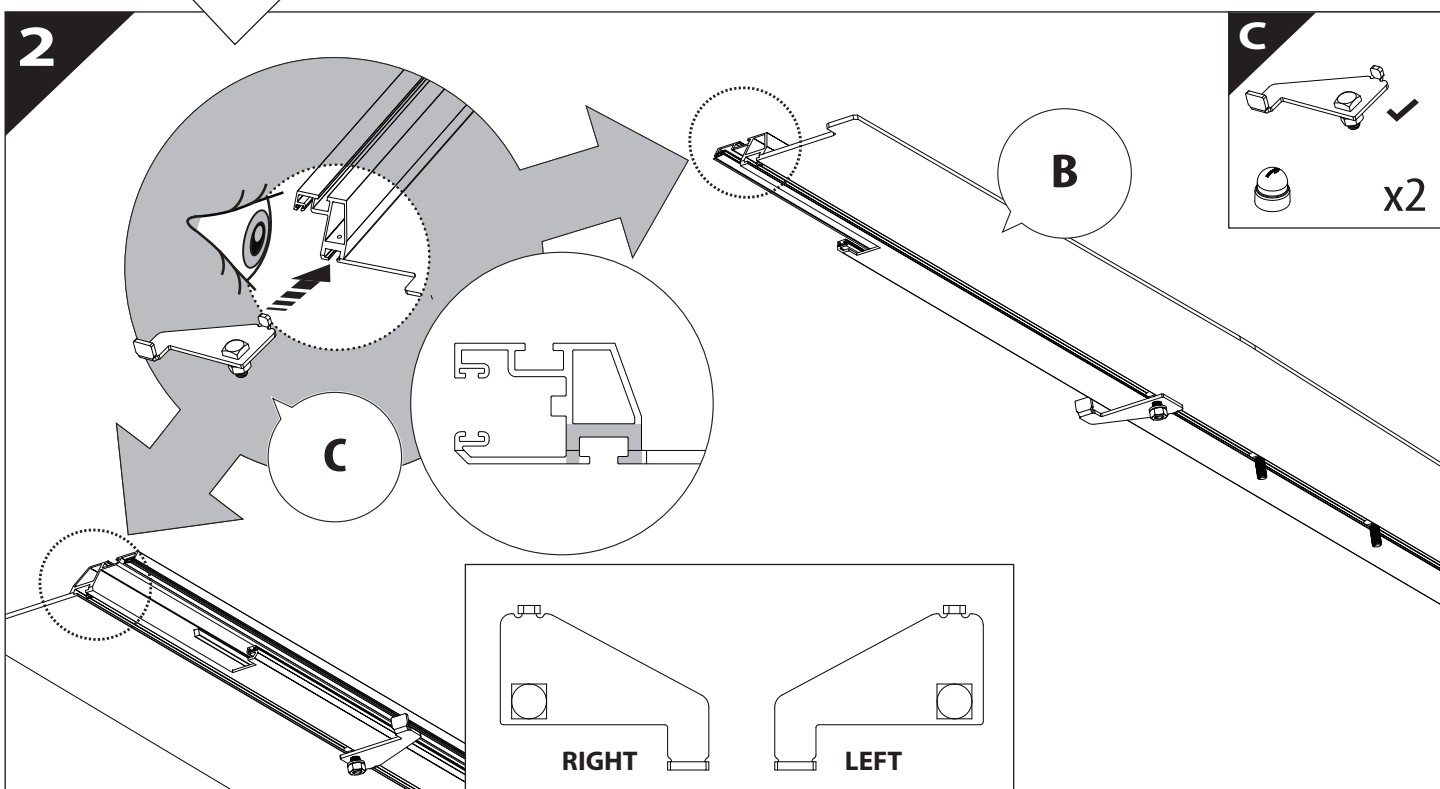
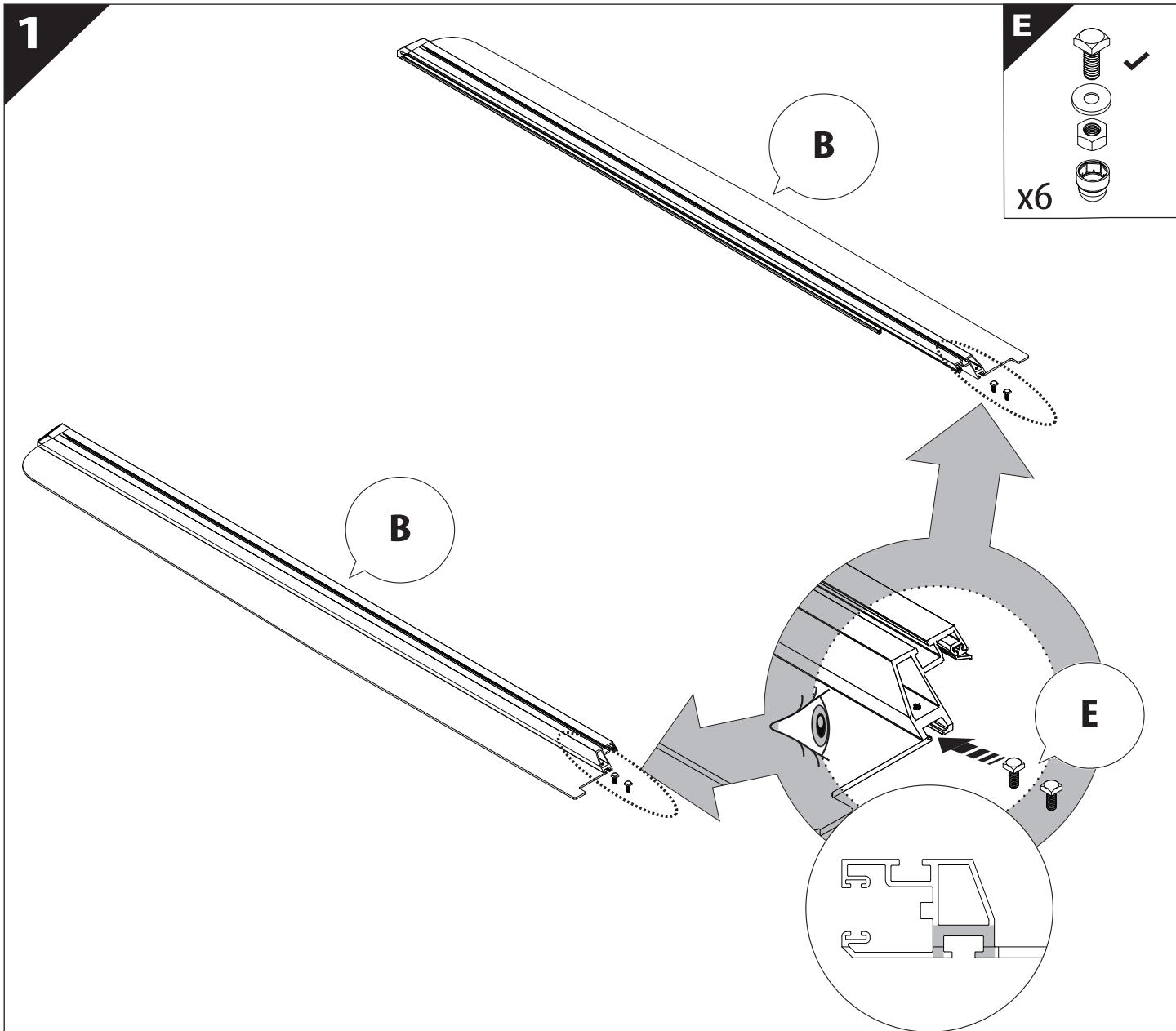
**A**

**KITS**

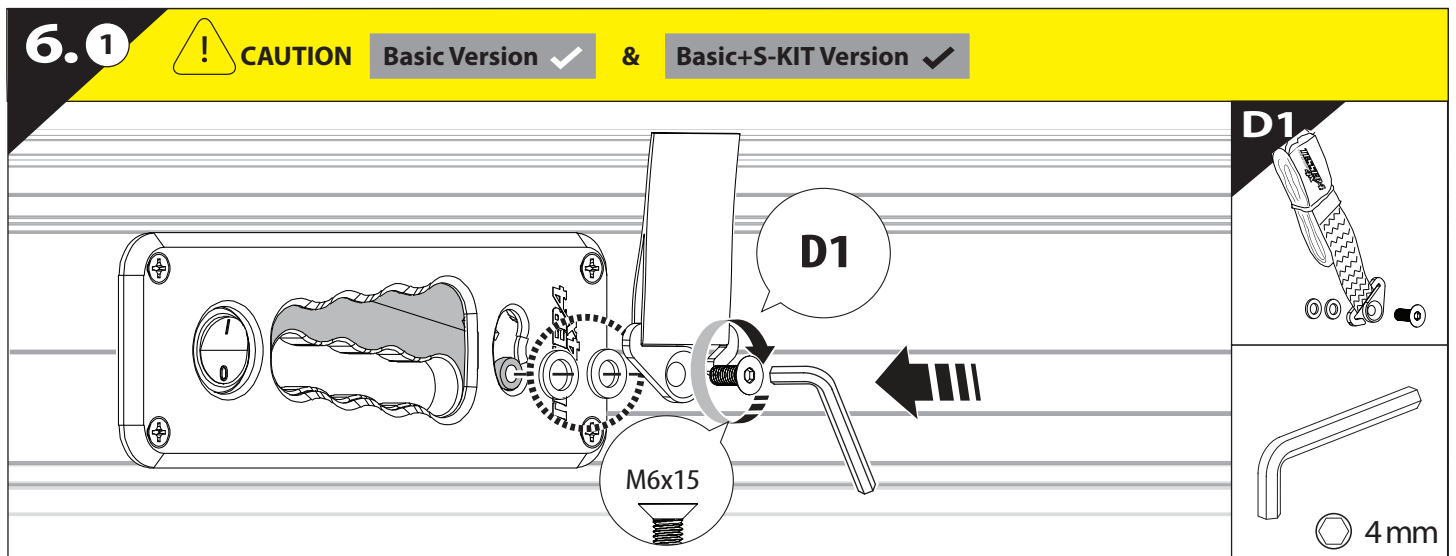
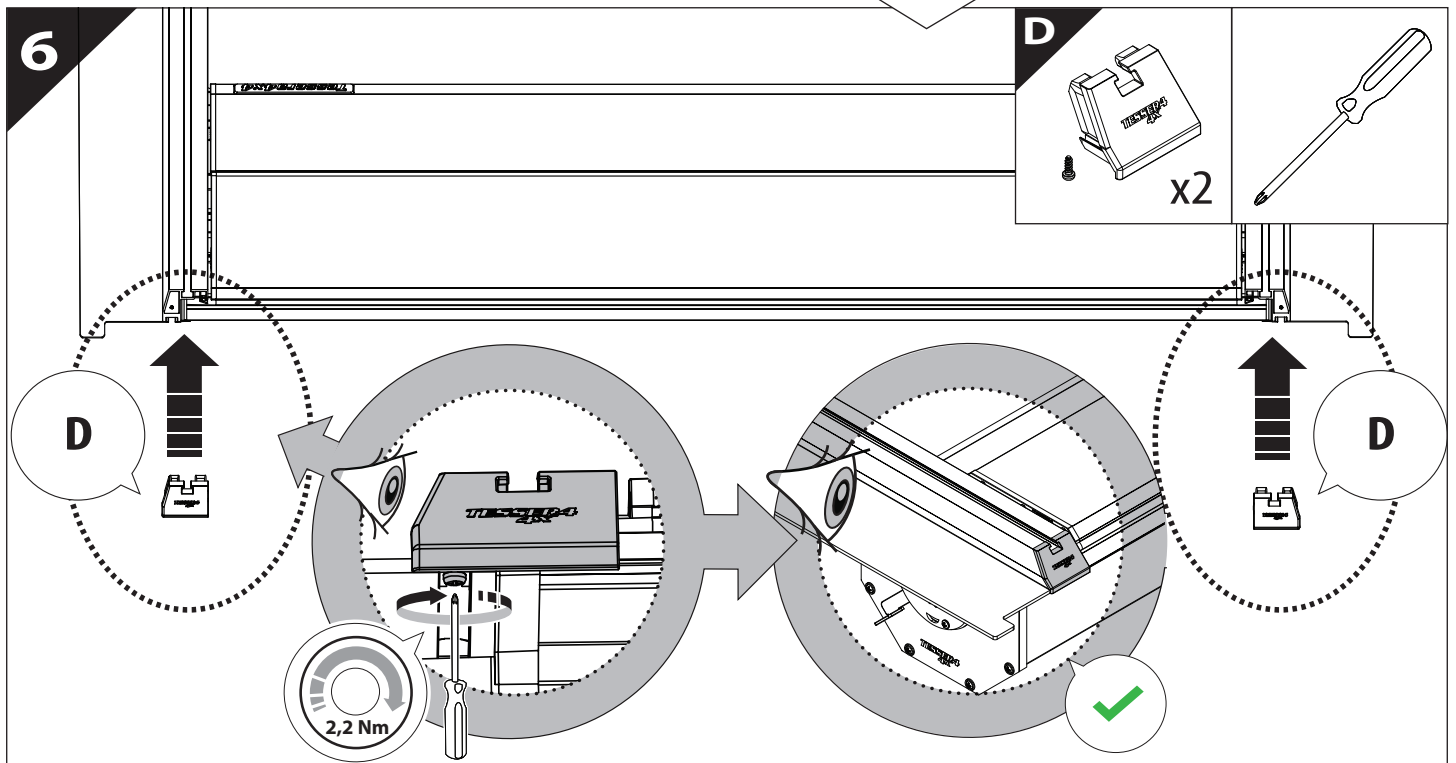
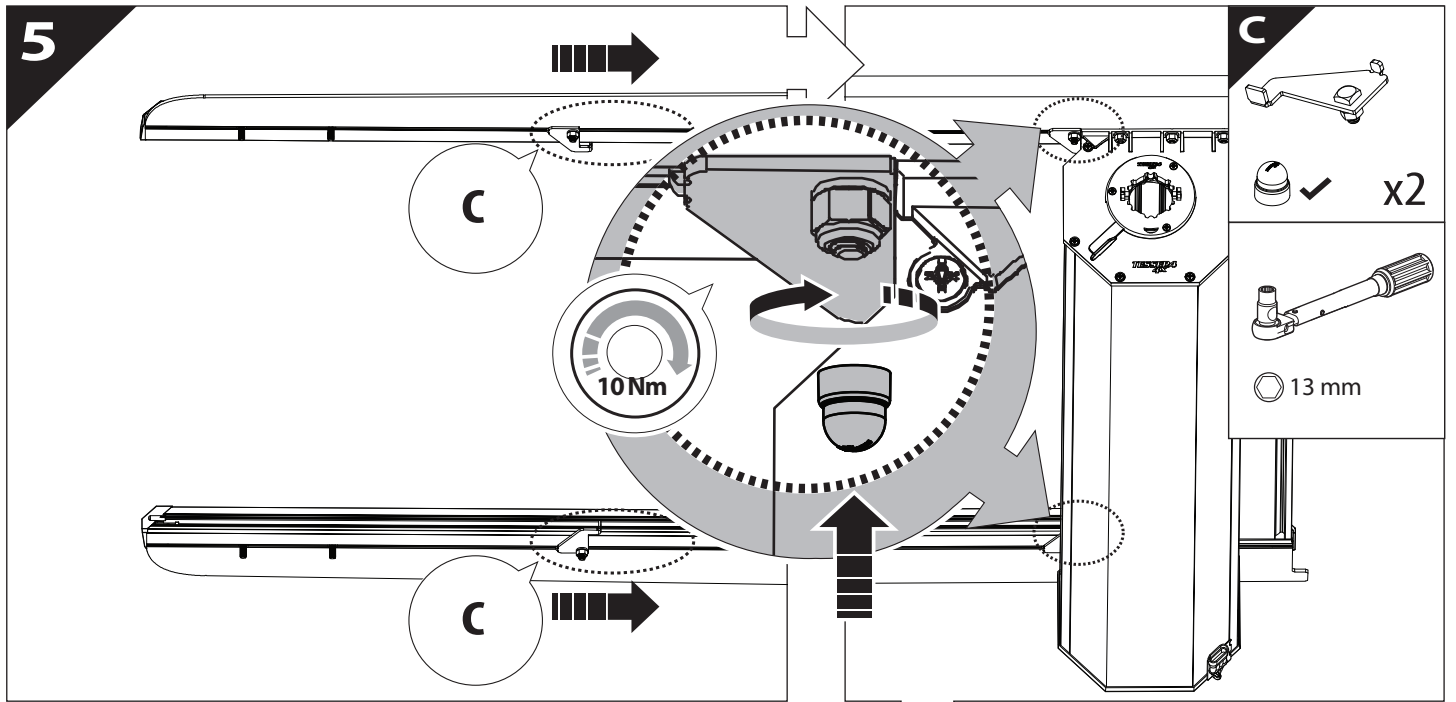


**L**

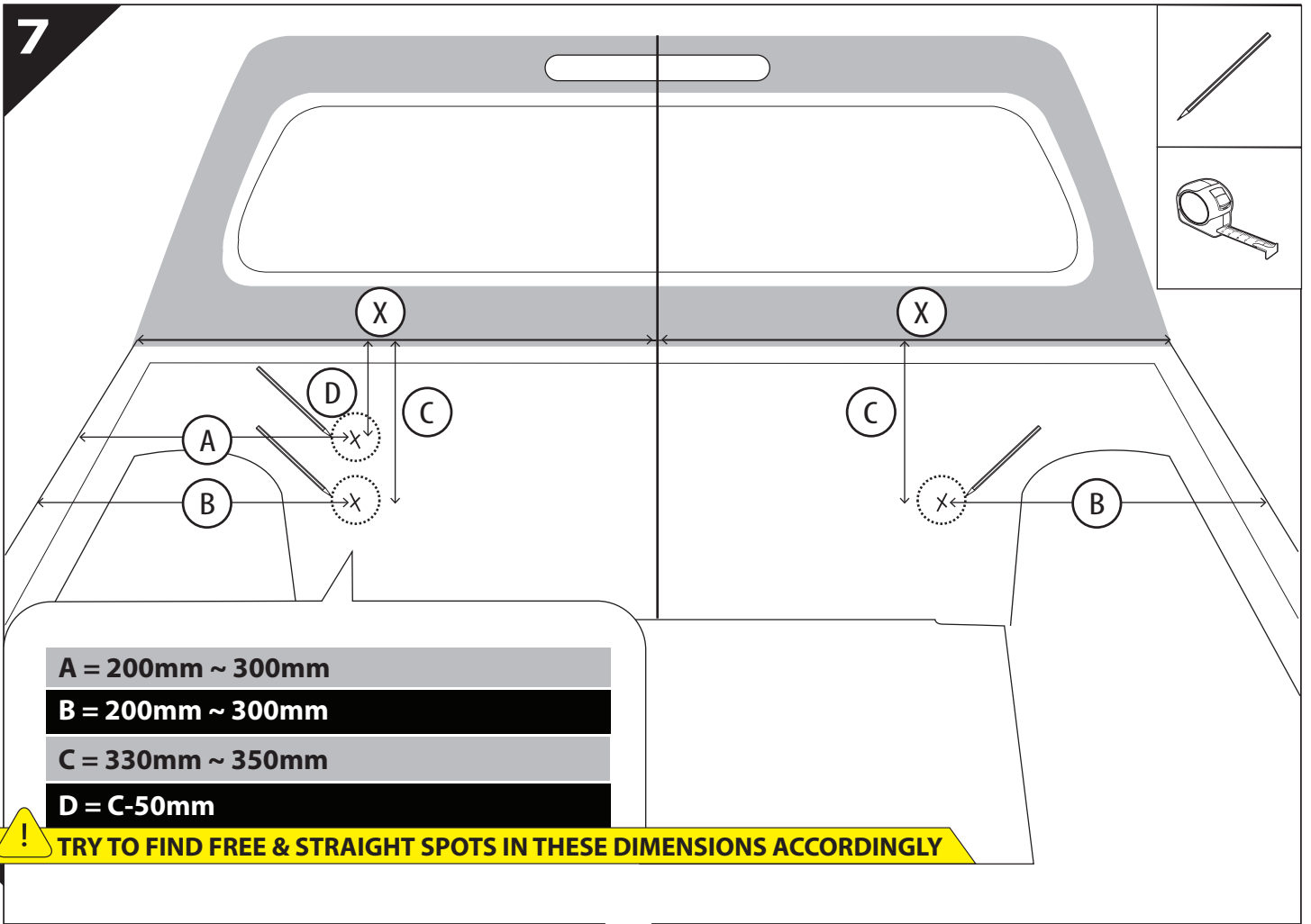




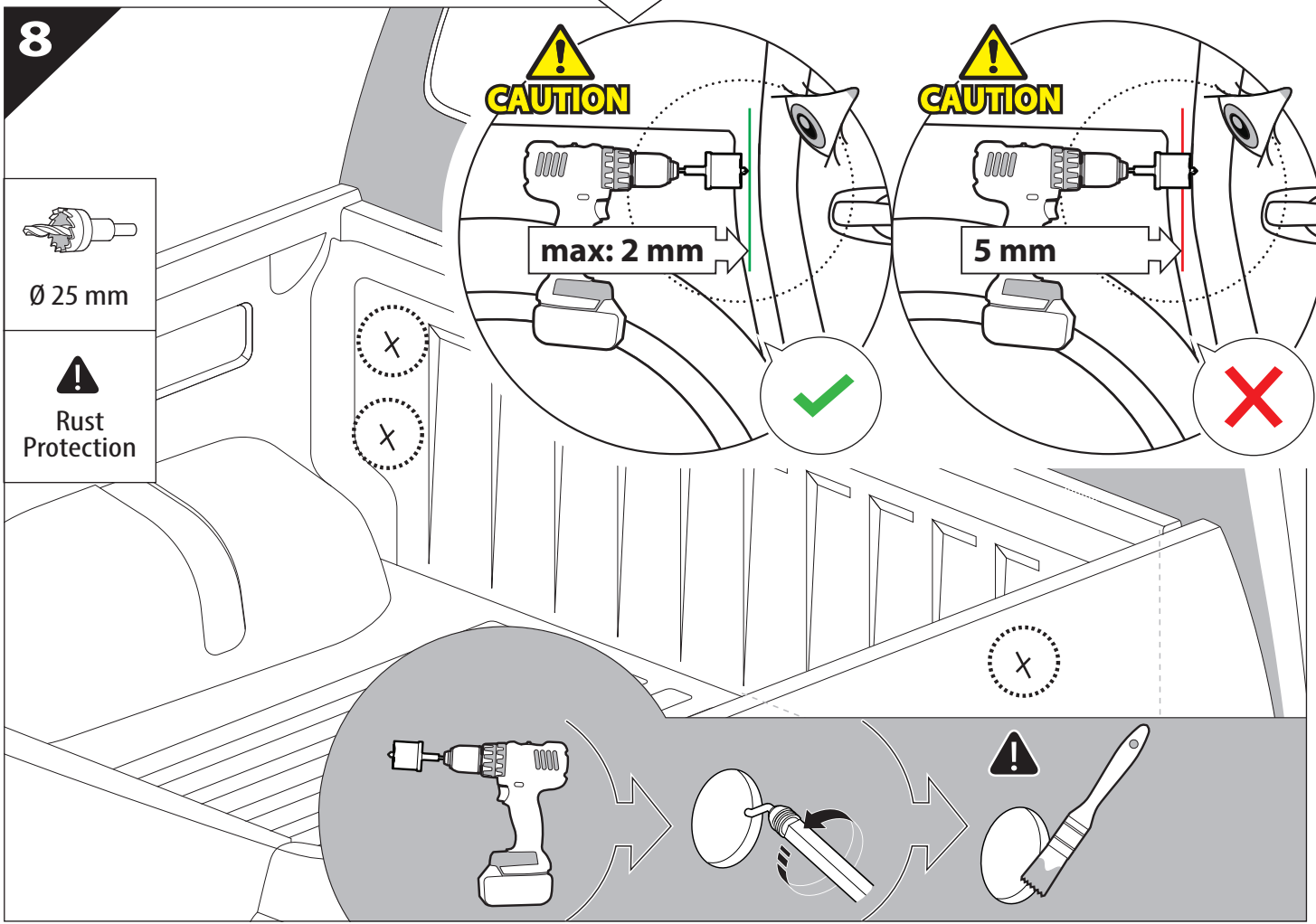




7



8

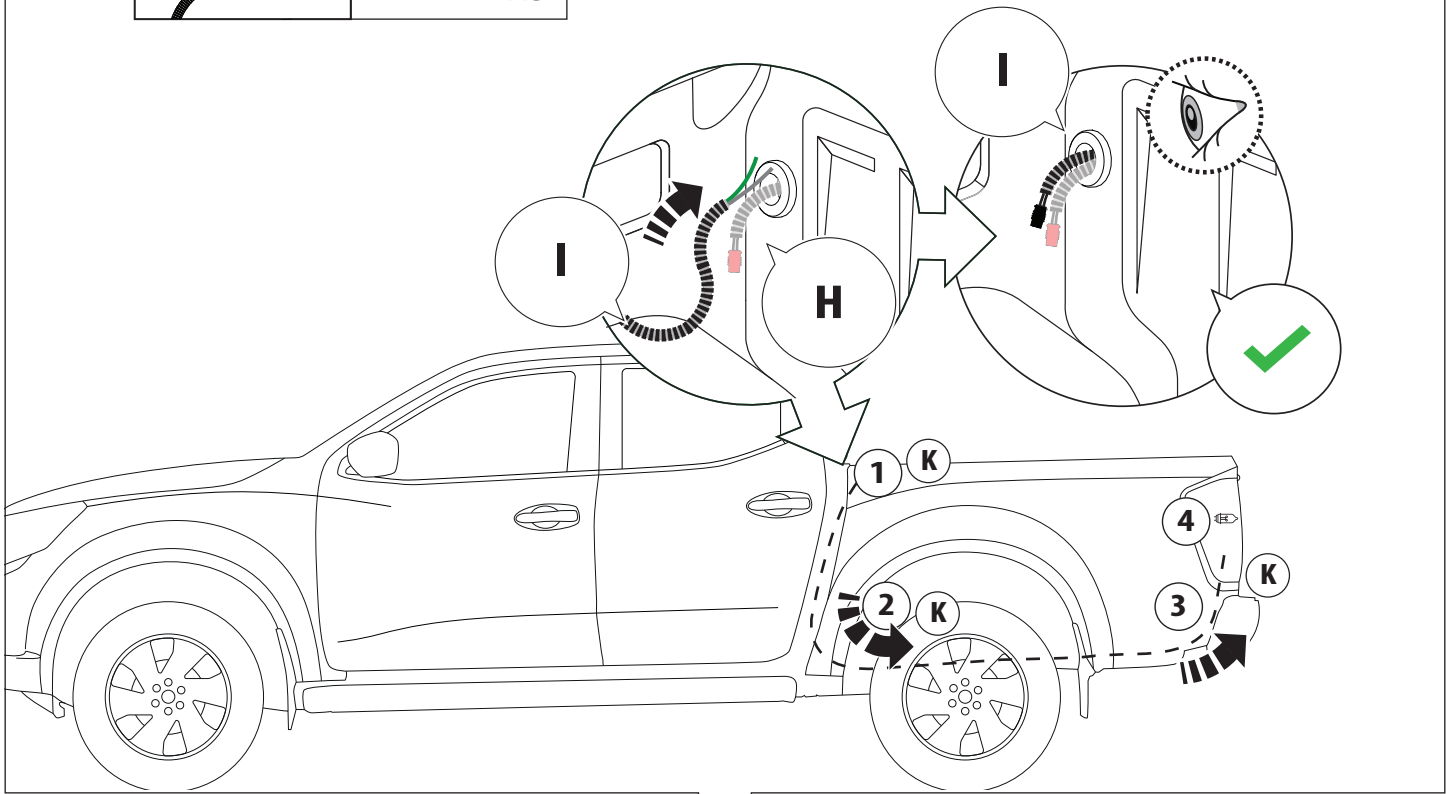
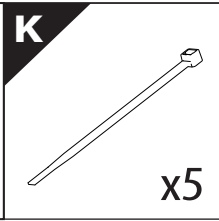
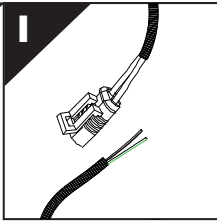




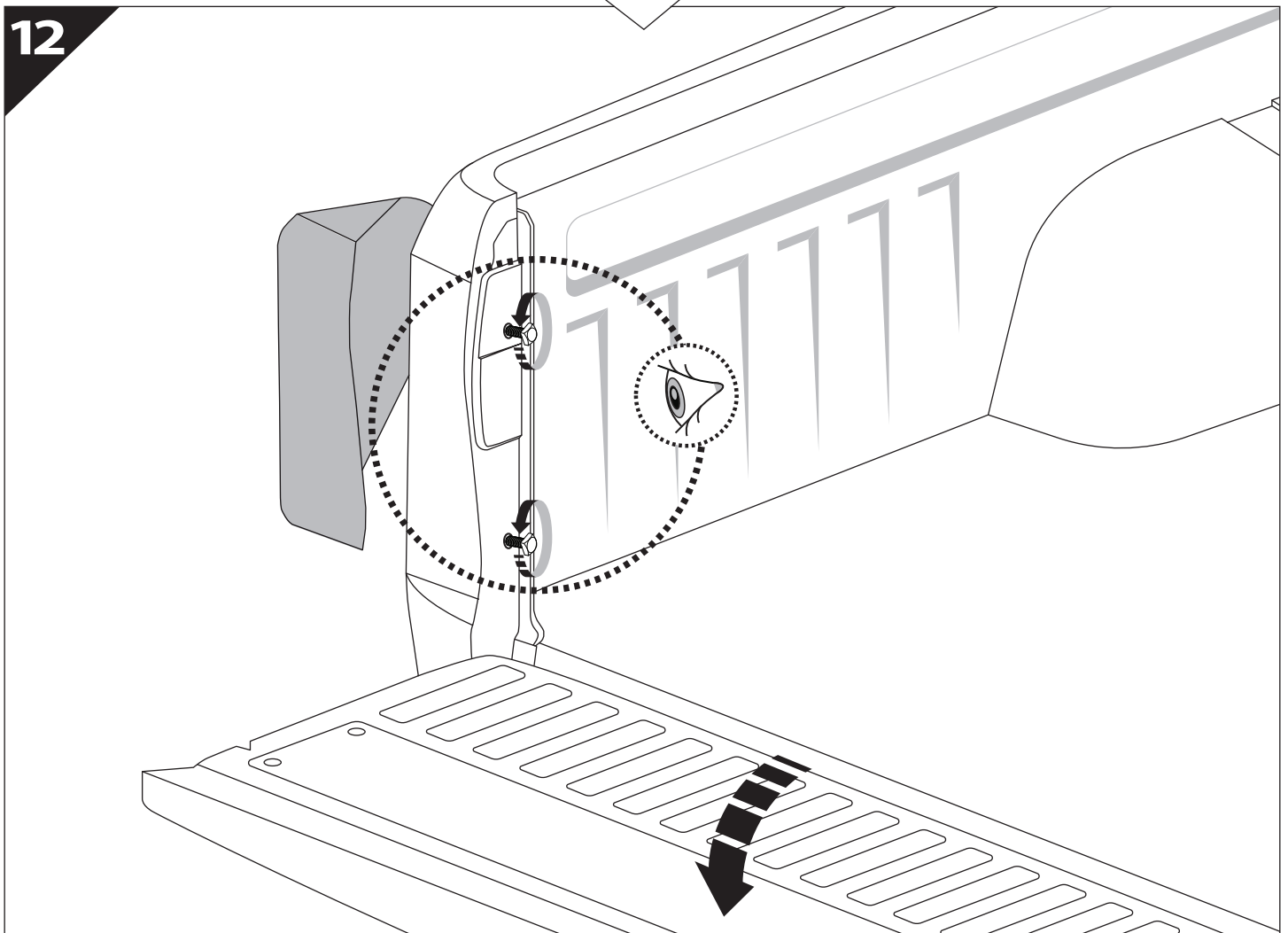
11

I

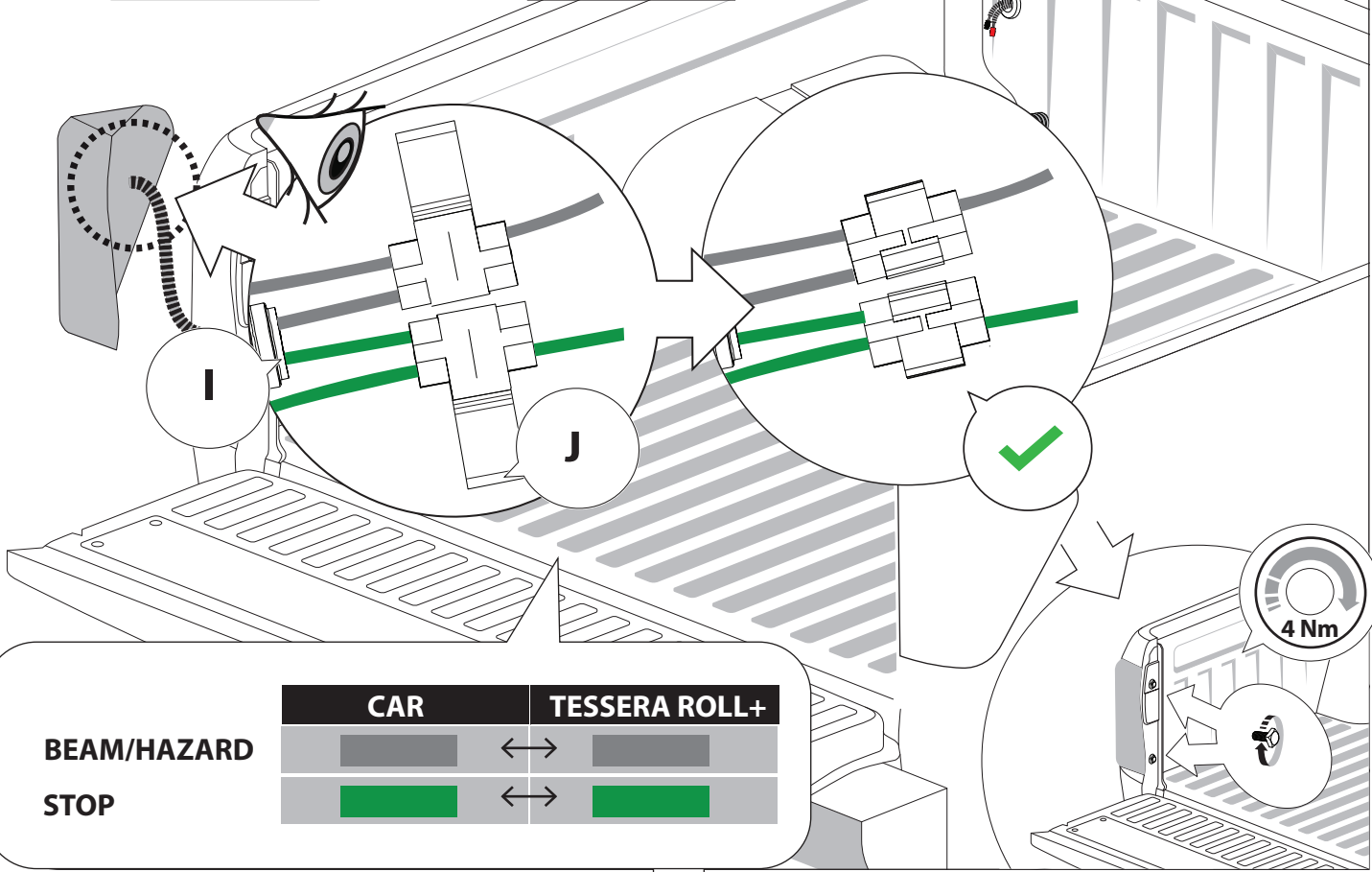
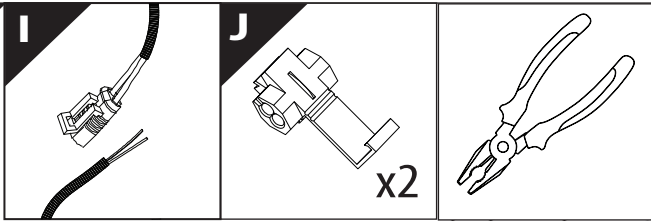
K



12

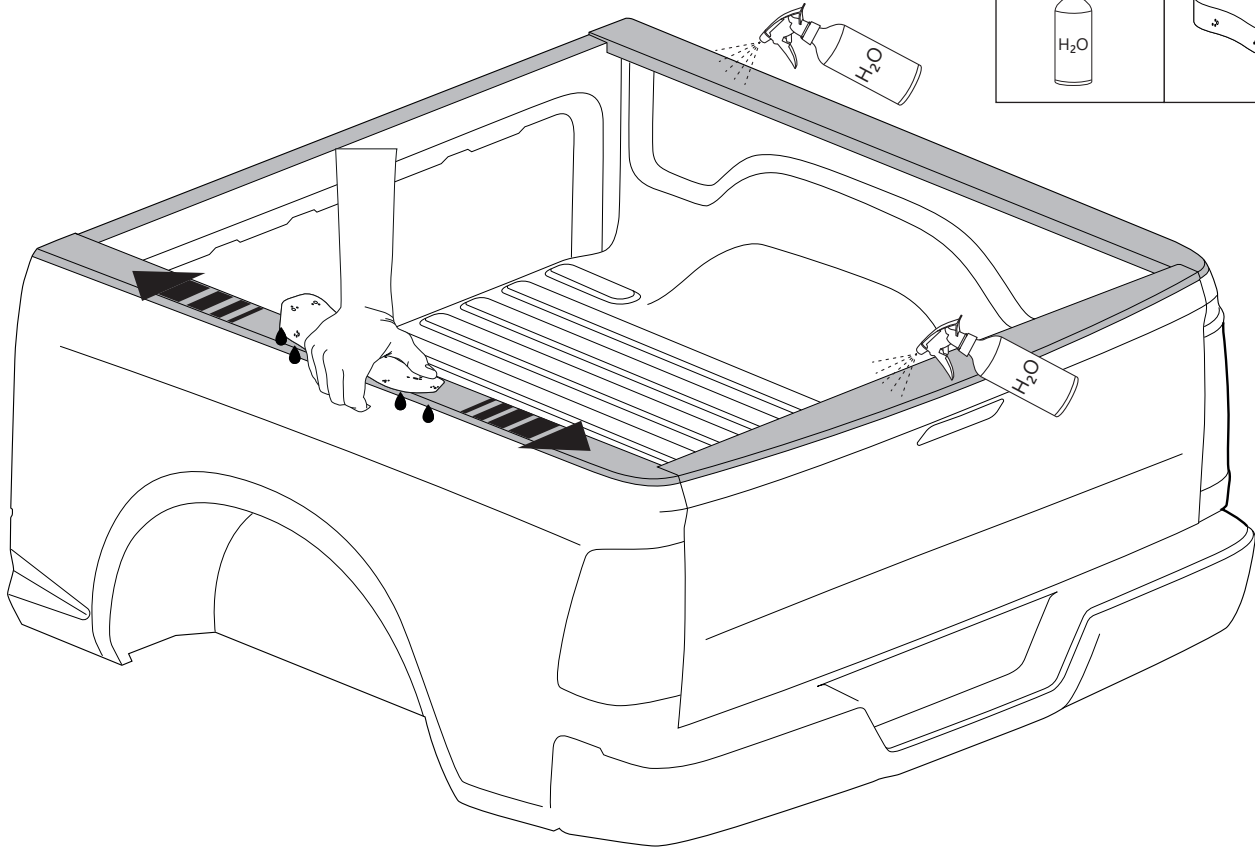
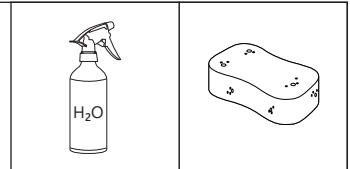


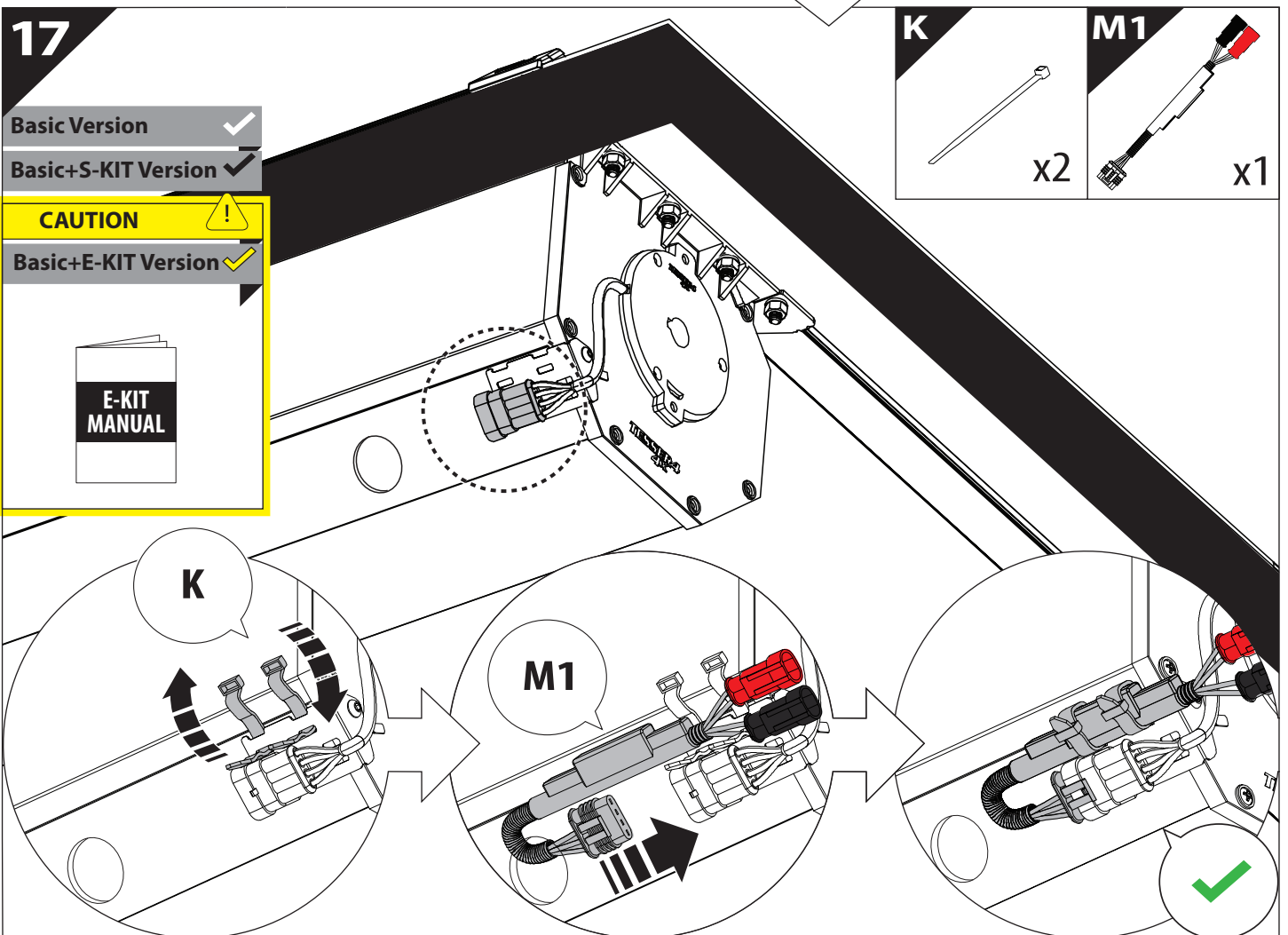
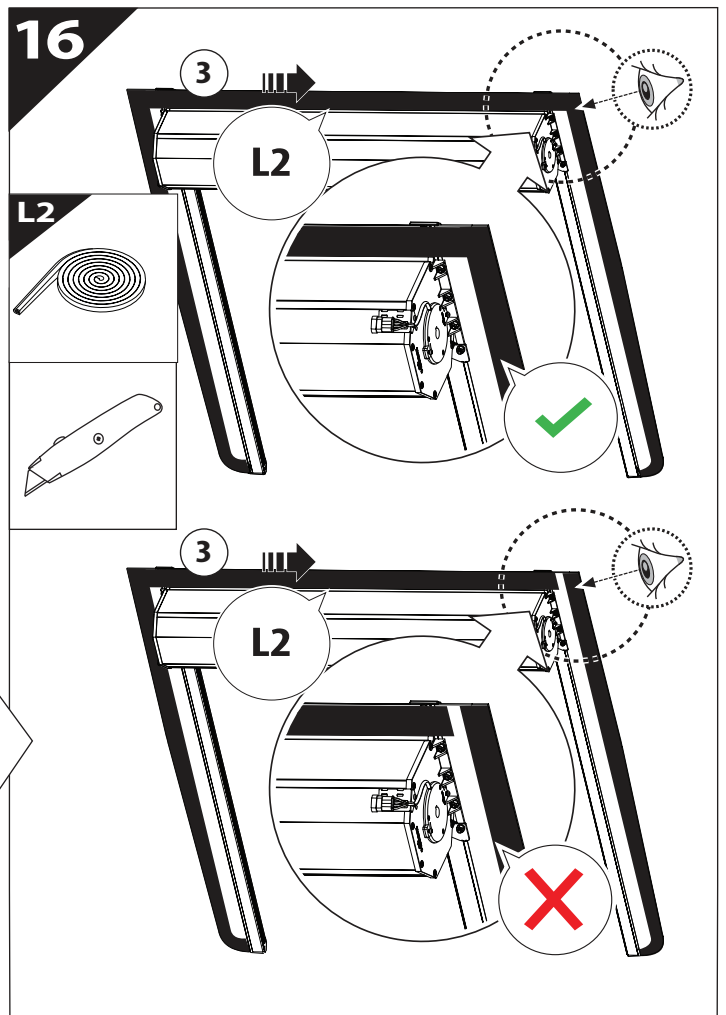
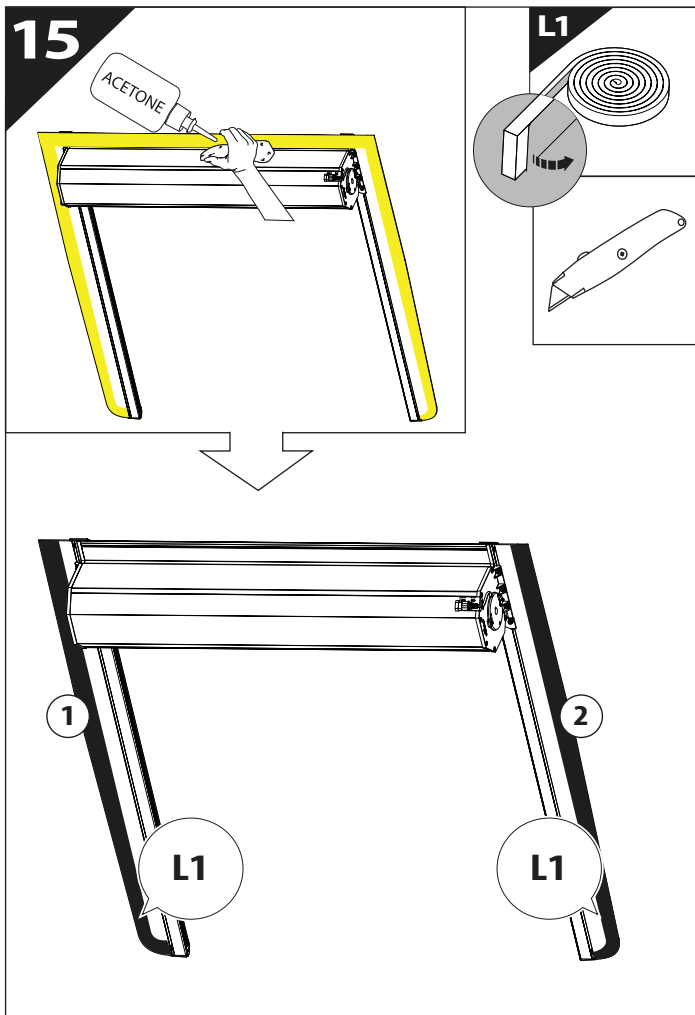
13

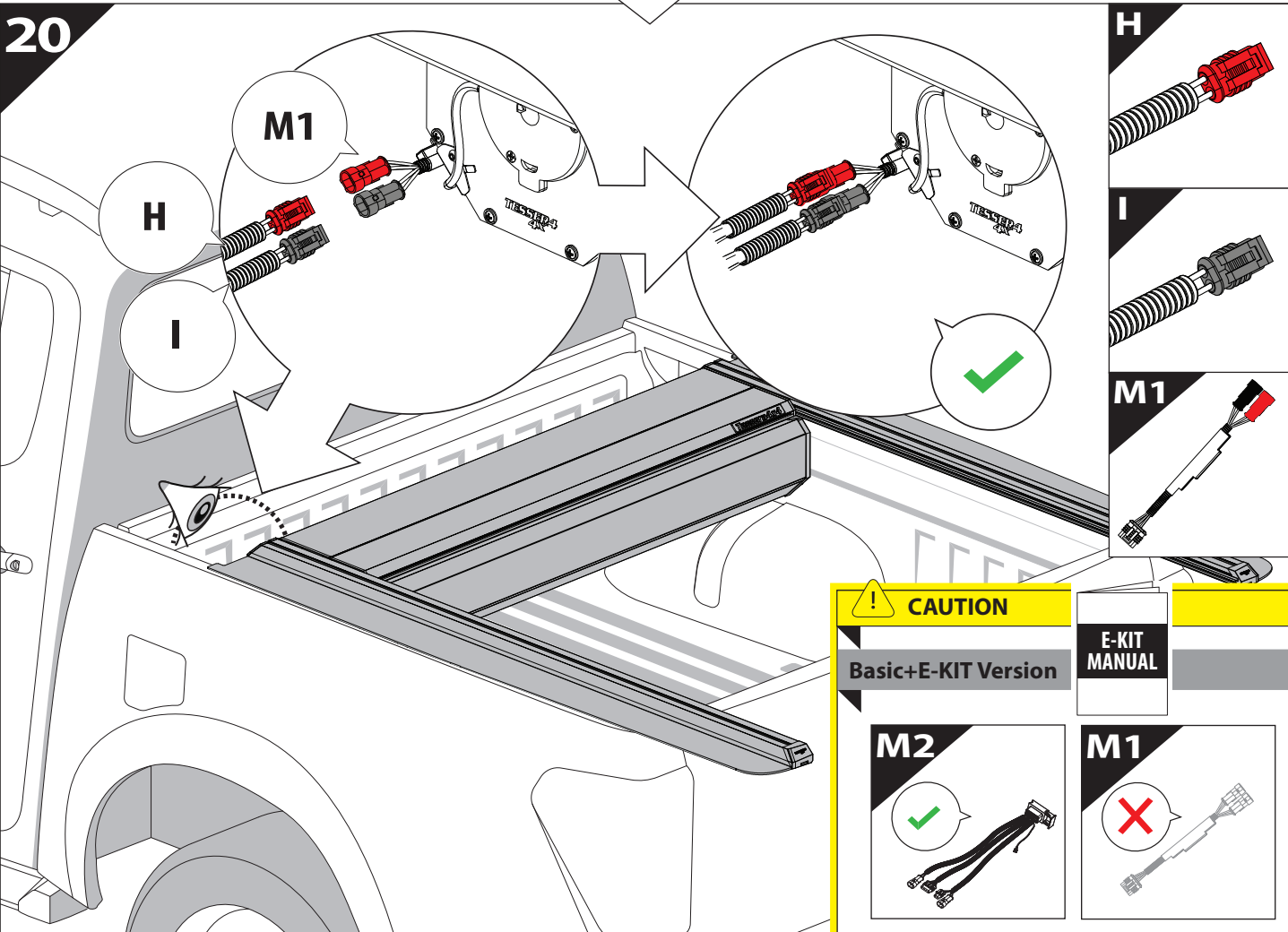
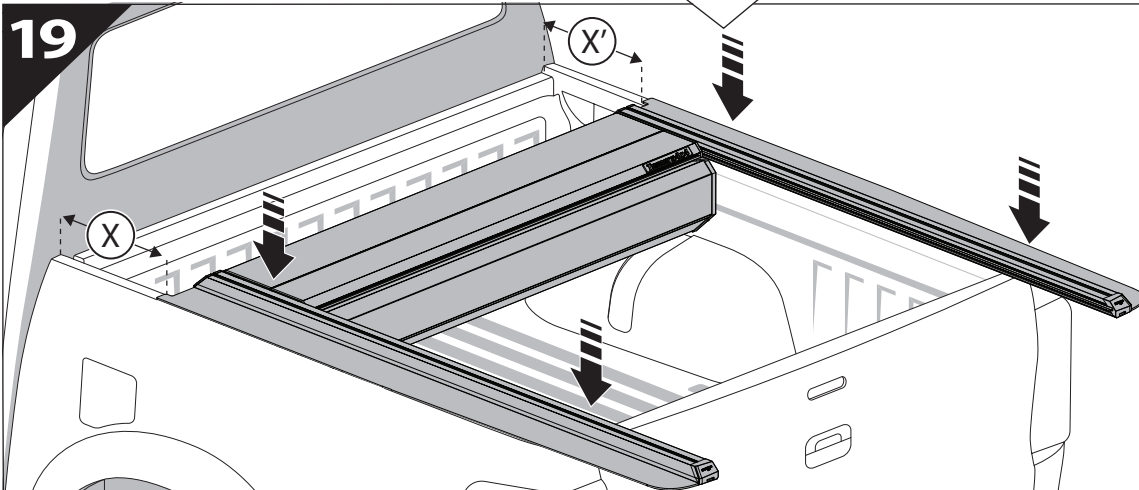
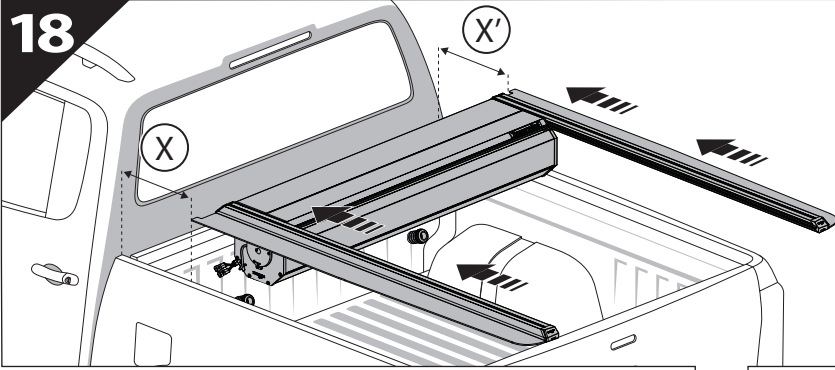


	CAR		TESSERA ROLL+
BEAM/HAZARD		↔	
STOP		↔	

14

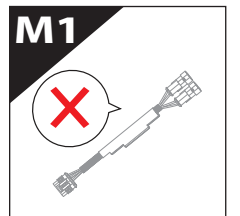
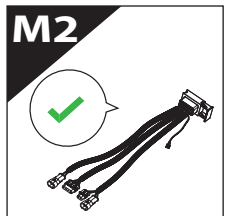






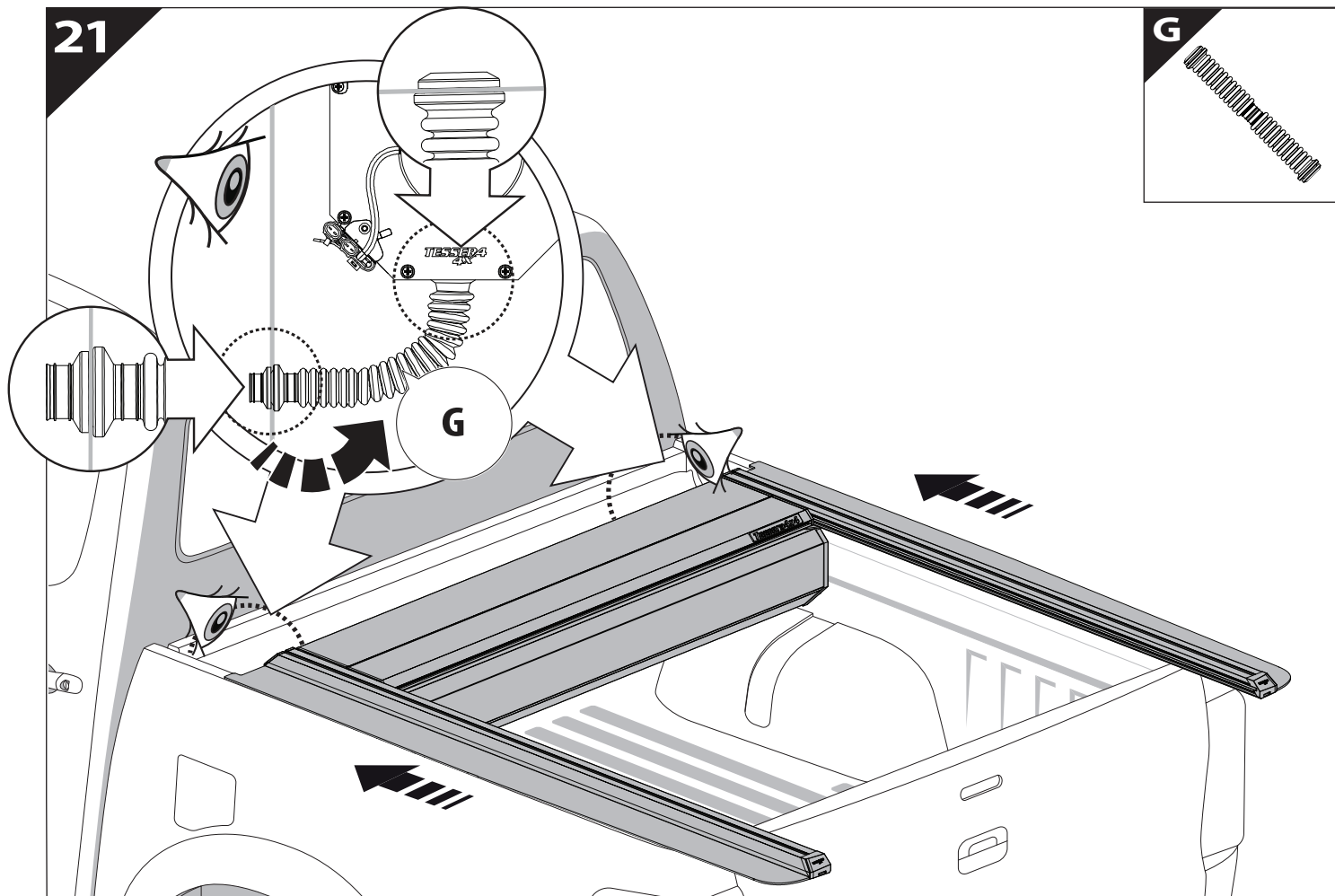
**CAUTION**  
Basic+E-KIT Version

E-KIT  
MANUAL



21

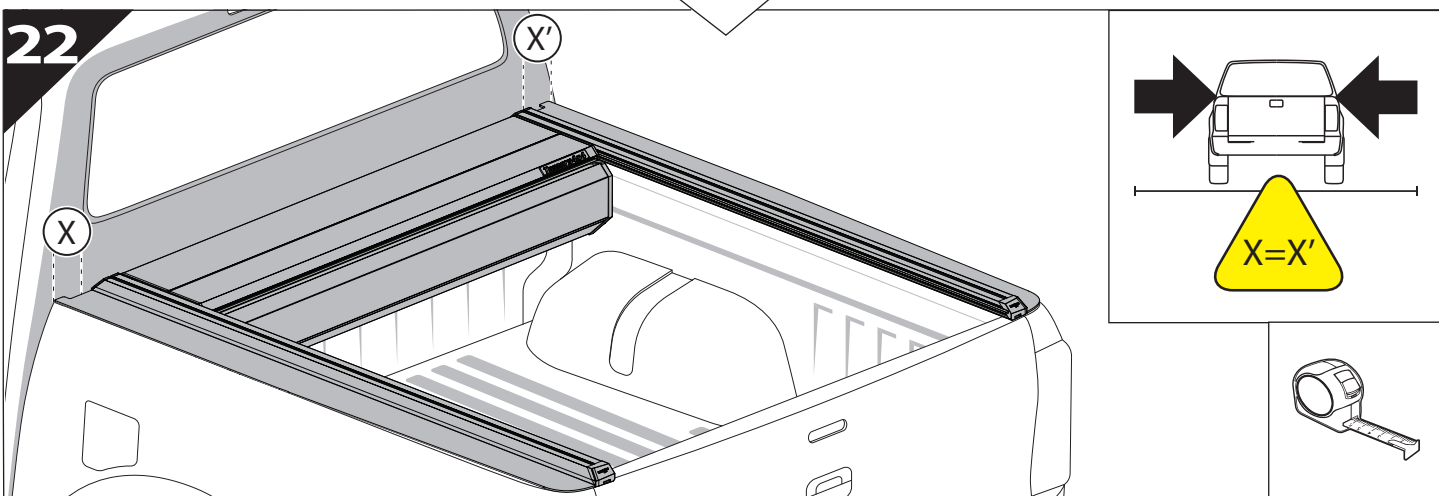
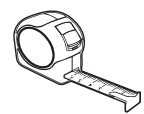
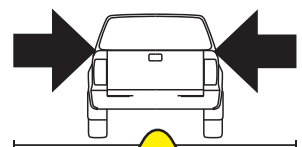
G



22

X'

X



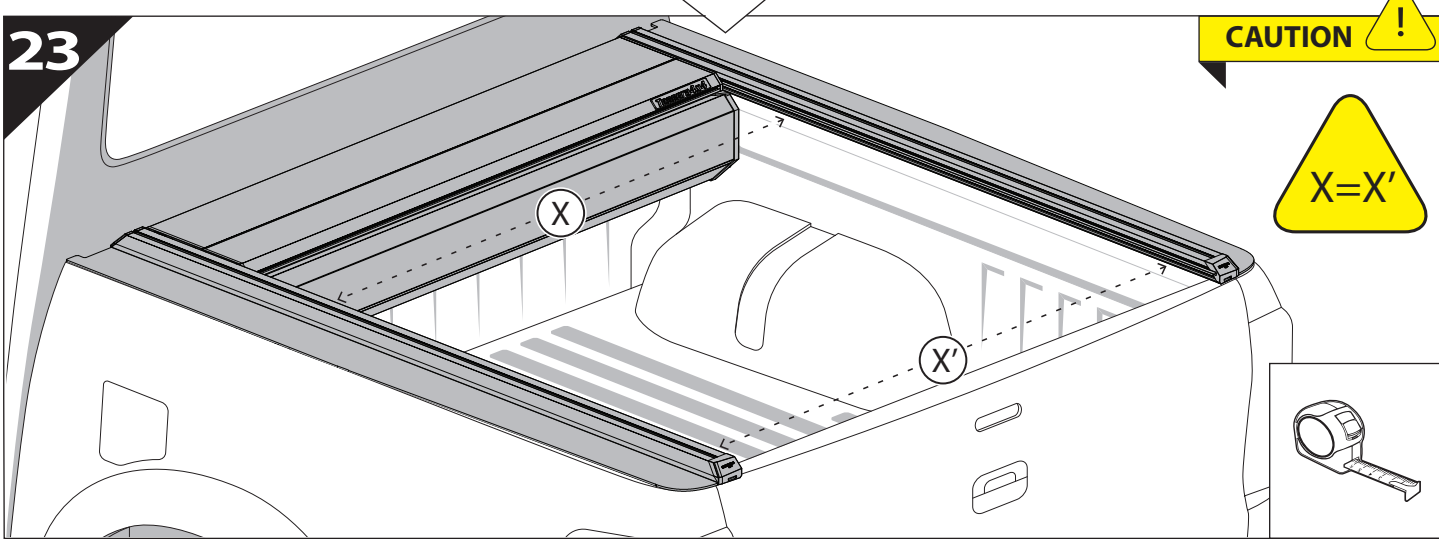
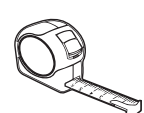
23

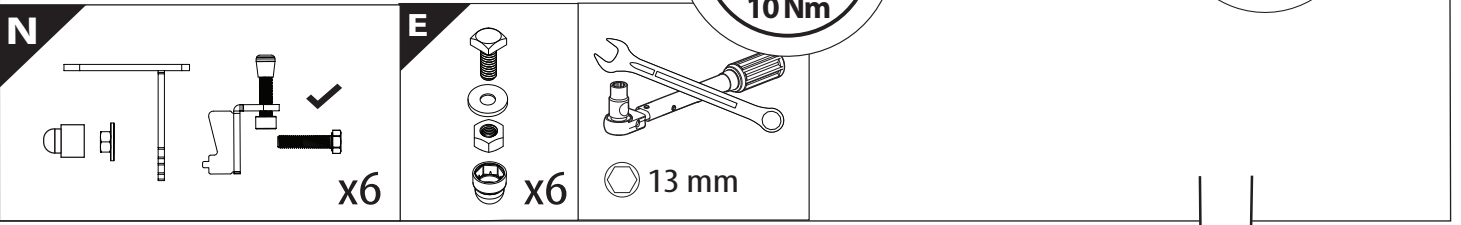
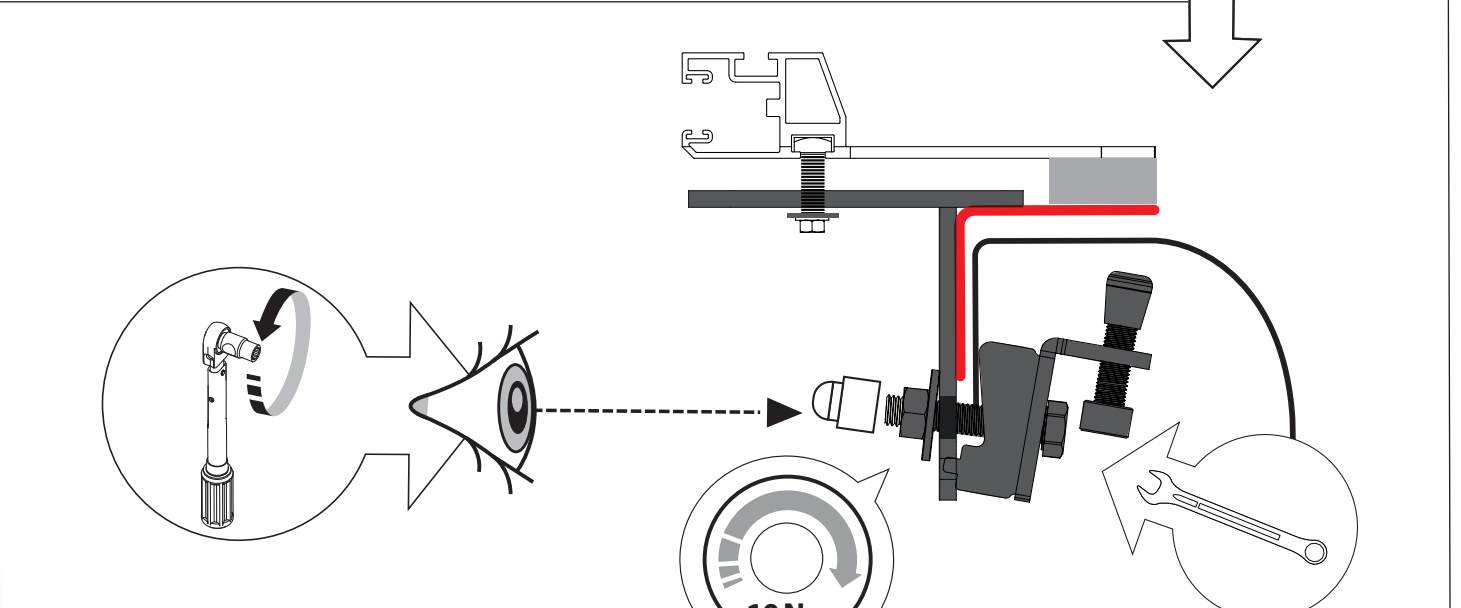
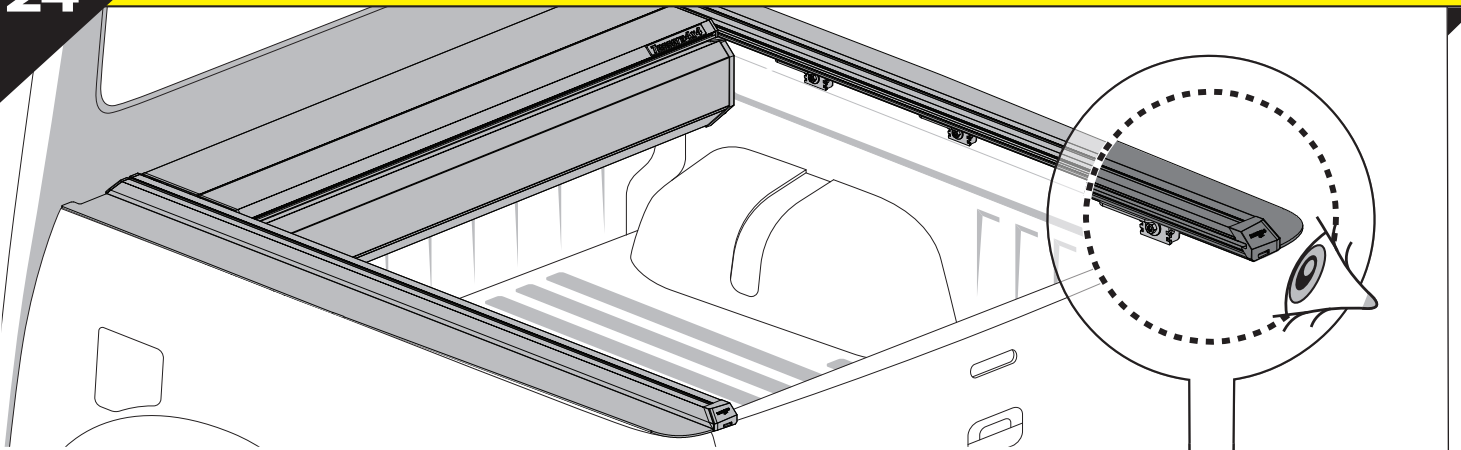
CAUTION !



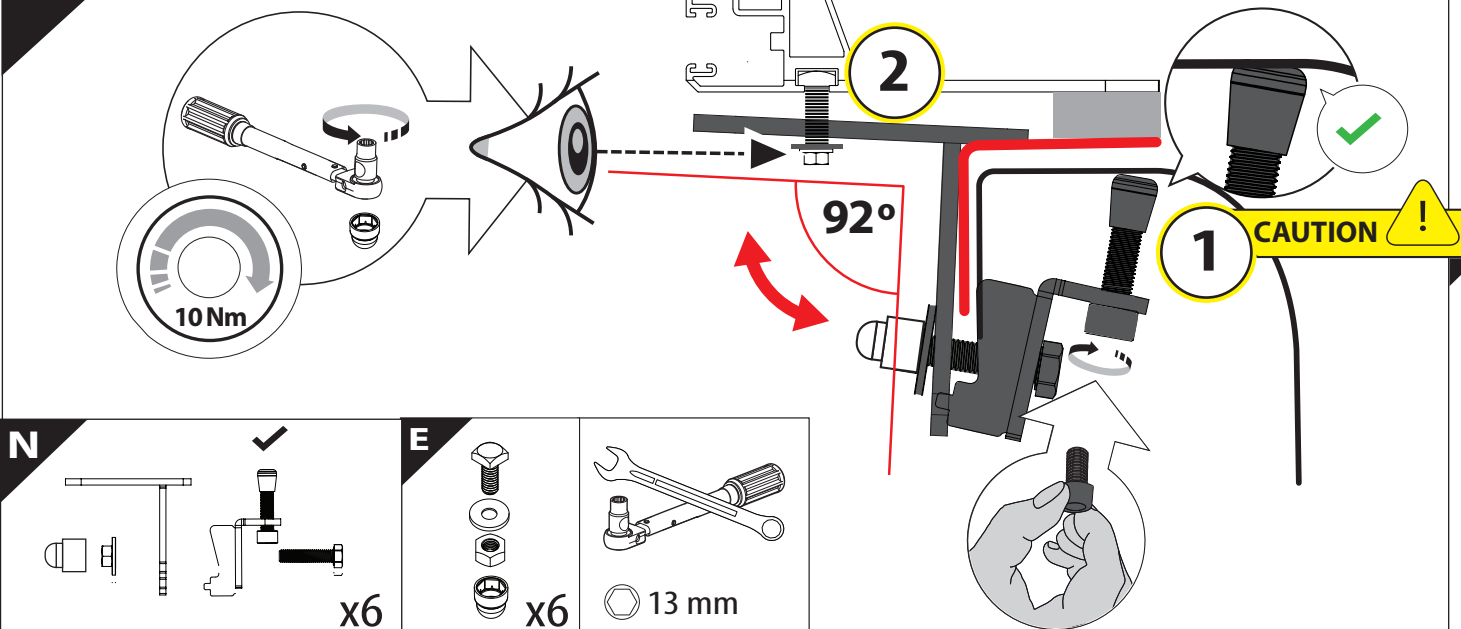
X

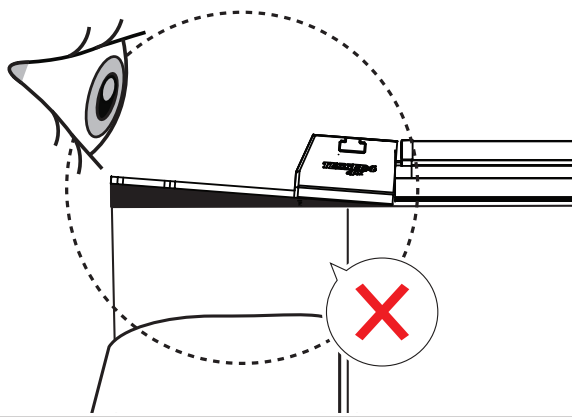
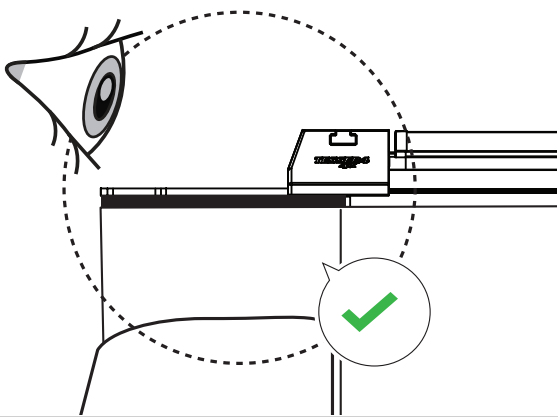
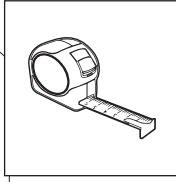
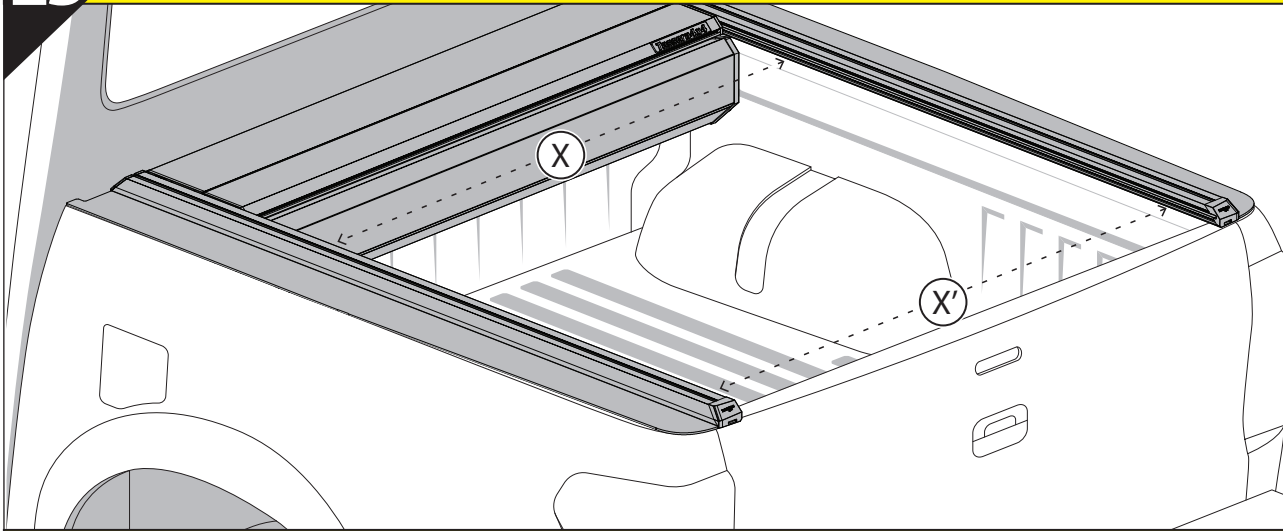
X'



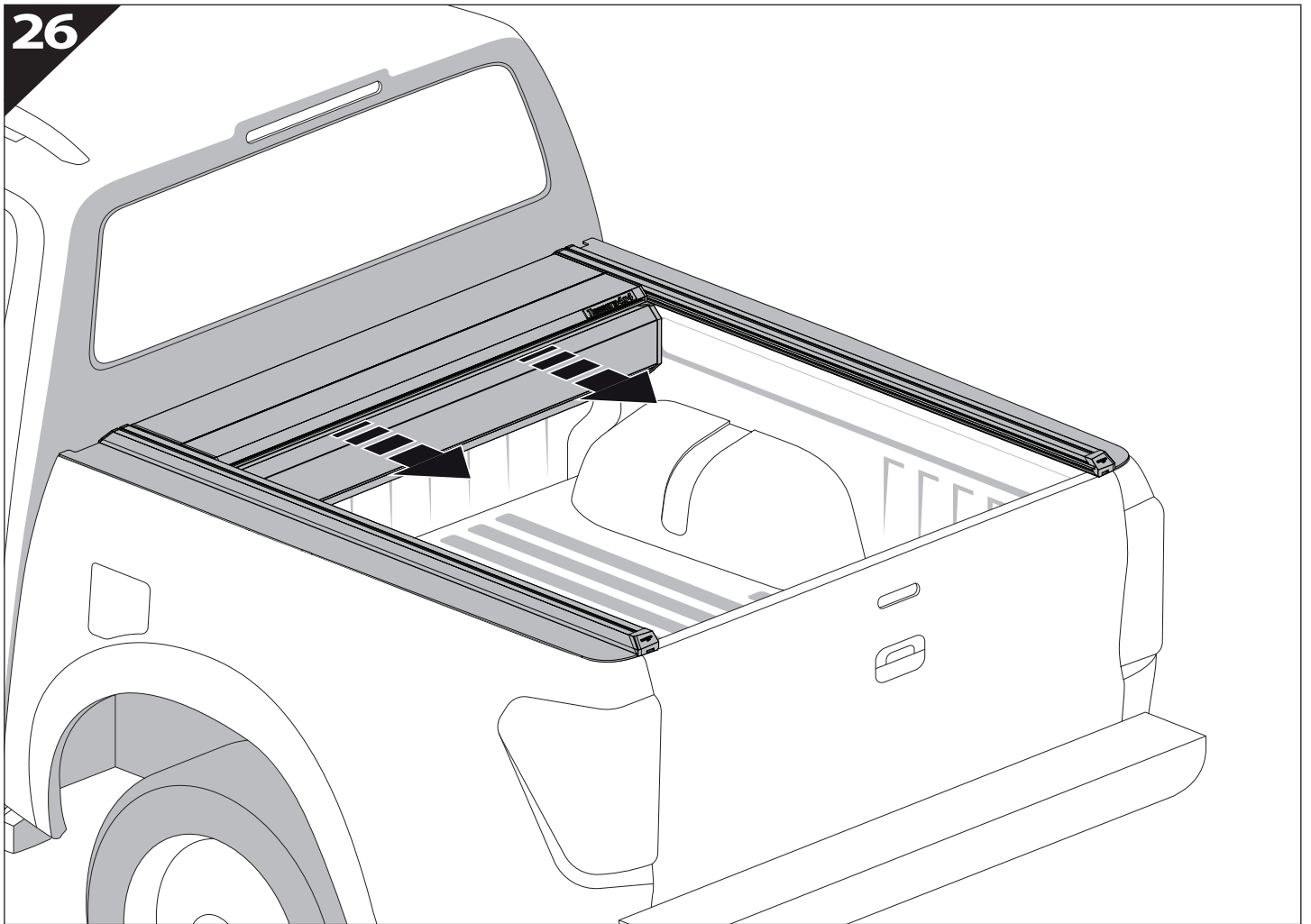


24.1

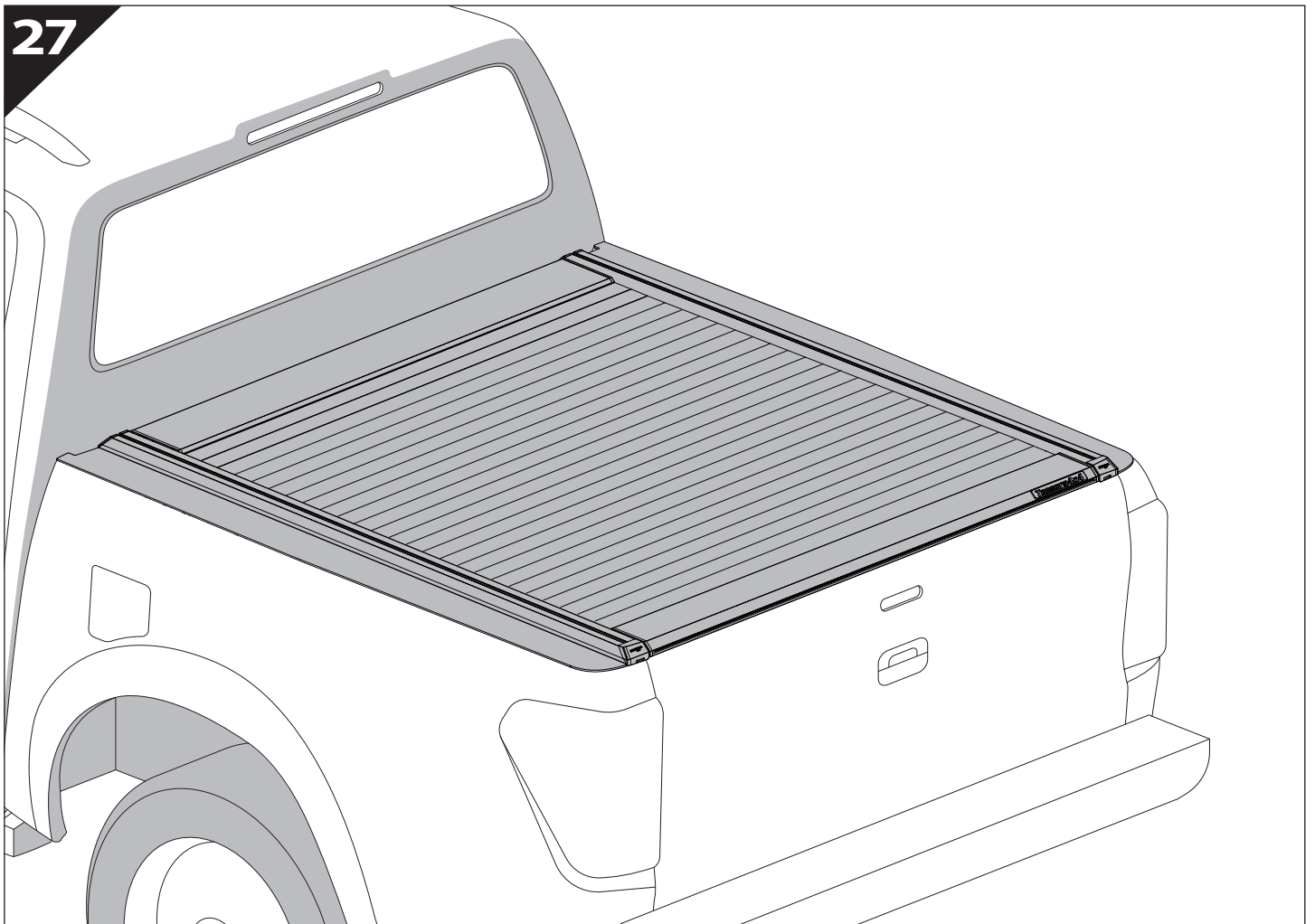




26



27







**GR:** Οδηγίες Εγκατάστασης  
**GB:** Installation manual  
**SF:** Asennusohje  
**F:** Notice de montage  
**PL:** Instrukcja montażu  
**NL:** Installatie-instructies  
**TR:** Montaj Talimatı  
**S:** Monteringsanvisning  
**E:** Instrucciones de montaje

**H:** Szerelési utasítás  
**P:** Instruções de instalação  
**RUS:** Инструкция по установке  
**N:** Monteringsveiledning  
**D:** Einbauanleitung  
**CZ:** Návod k instalaci  
**I:** Istruzioni de montaggio  
**DK:** Monteringsvejledning  
**RO:** Instructiuni de instalare

Customer Service:

+30 (210) 5541161, +30 (210) 5541154 (08:00 - 16:00 EET)

Support department:

[info@gianso.gr](mailto:info@gianso.gr)

Website:

[www.tessera4x4.com](http://www.tessera4x4.com)

Address:

19.5 km of National road Athens-Korinthos (Elefsina) Greece, P.C: 19200