

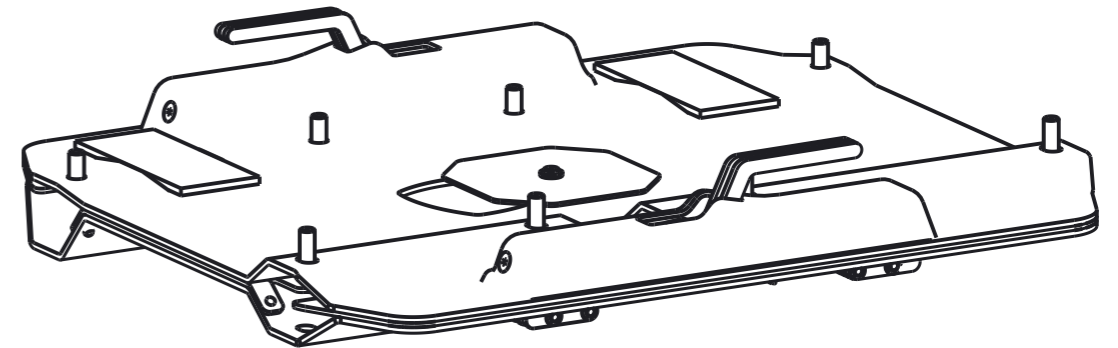
# Installation guide

Double seat swivel for Volkswagen T6

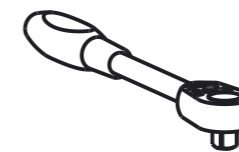


## Parts required

- 1x Double seat swivel for Volkswagen T6
- 1x Mounting kit (nuts)



## Tools required



1x 1/2" socket wrench

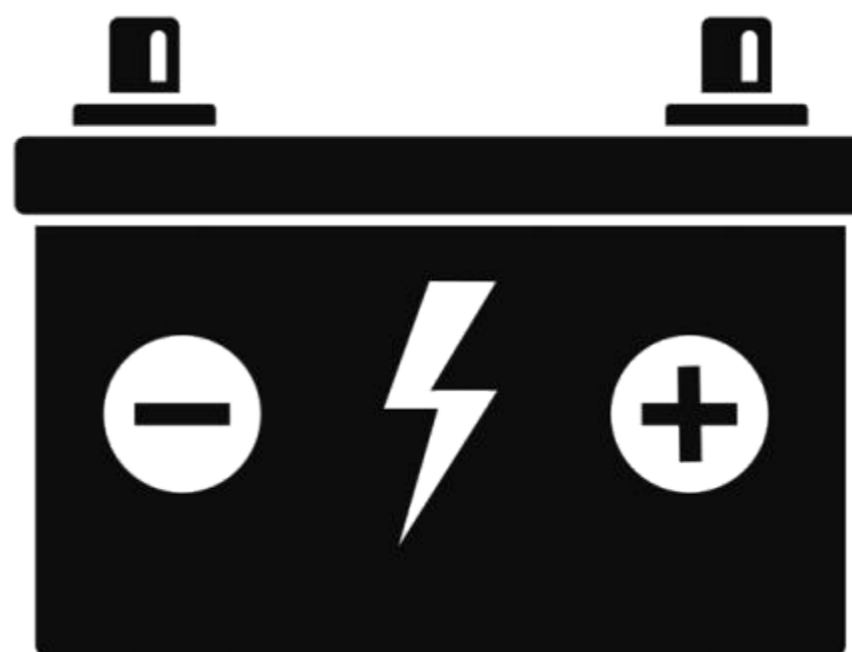


1x 1/2" hex socket #17

Step 1. Preparing

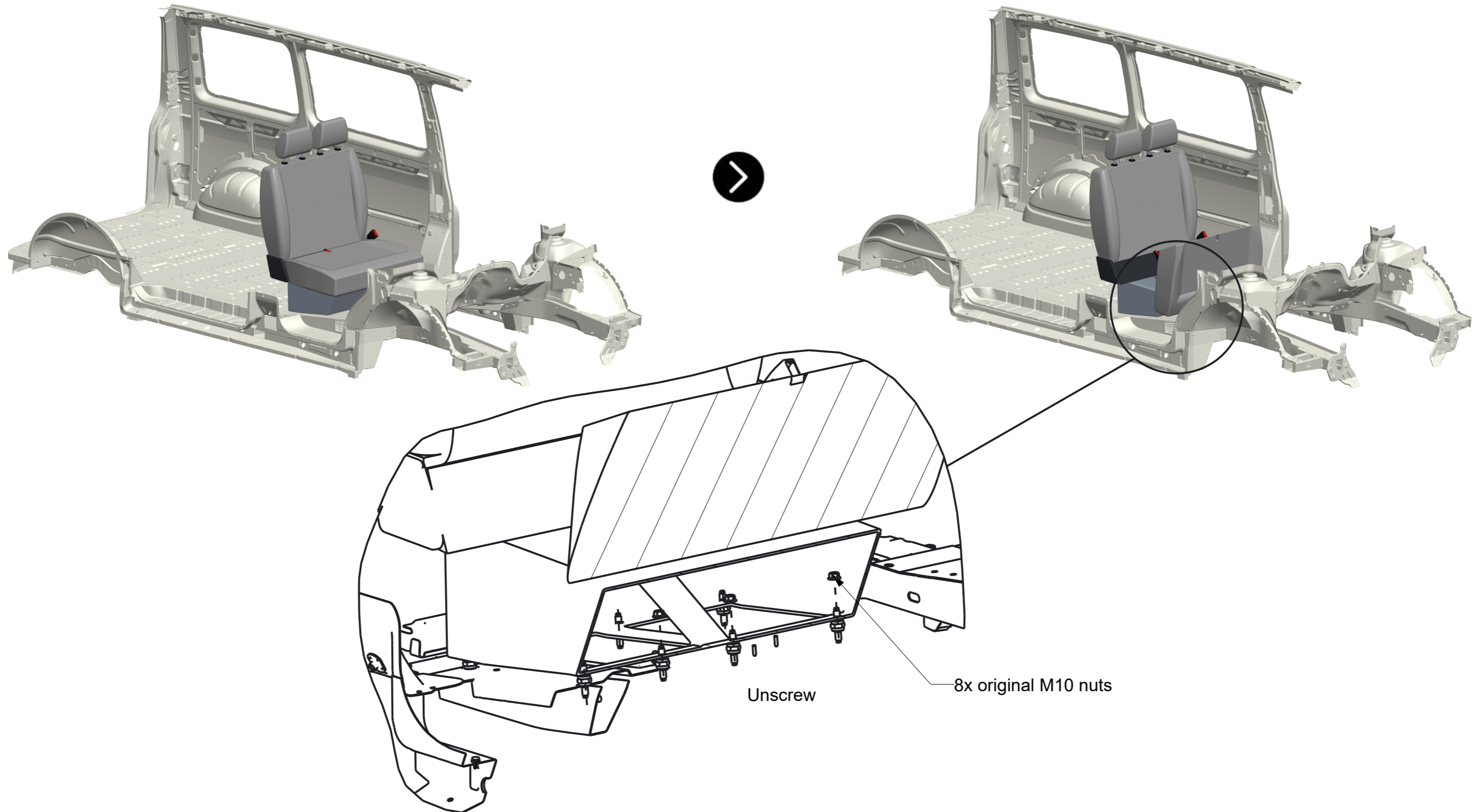
Disconnect car battery by removing clamps under hood

OFF



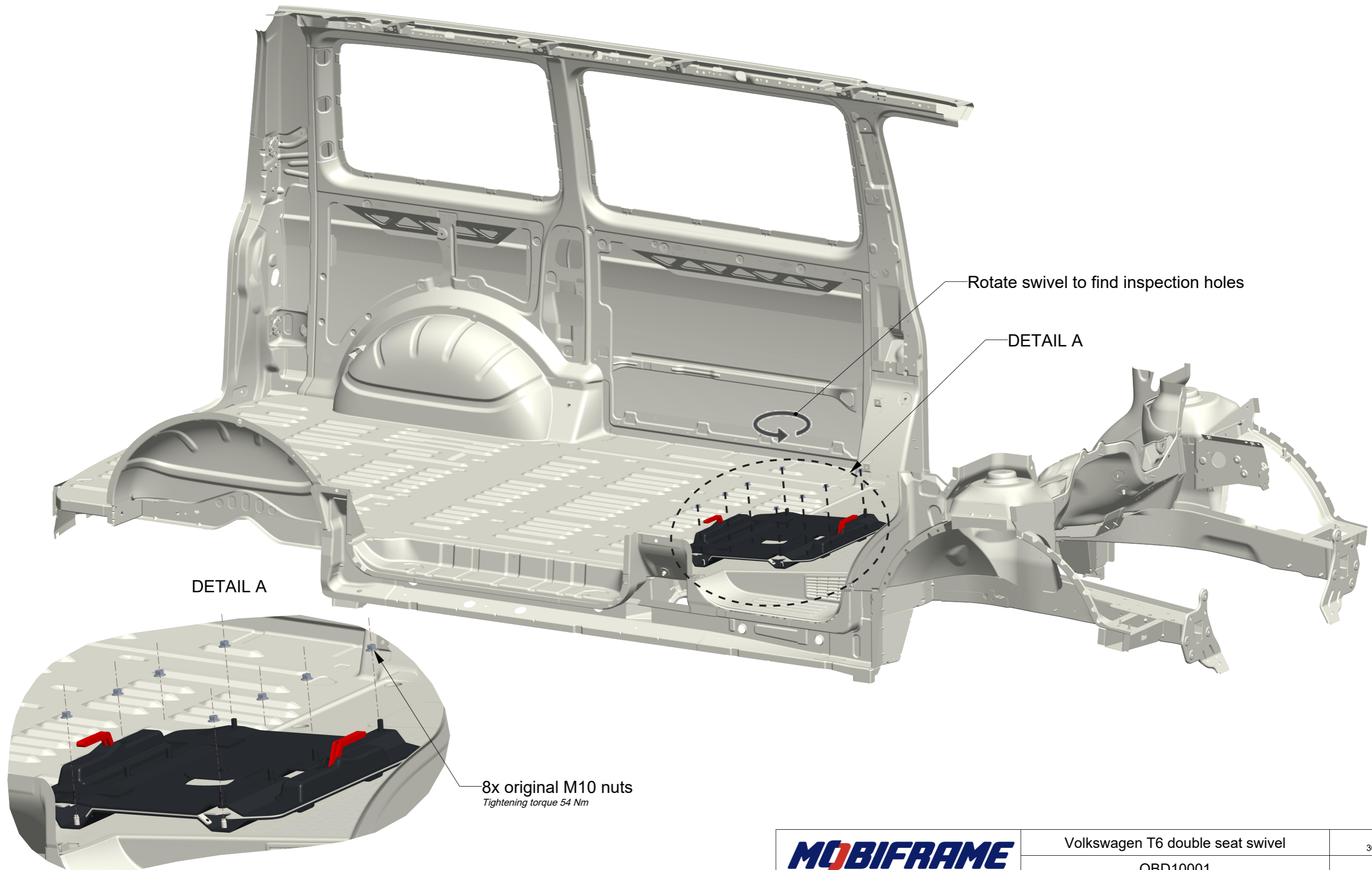
## Step 2. Removing seat

Lift up seat. Unscrew 8 original M10 nuts located inside seat base. If there is a wire inside of the base, pull it out. Then you can lift seat with base together and put it aside. Keep the nuts that you unscrewed, you will need them in later step.



### Step 3. Swivel installation

If you have the wire from step 2, place it under swivel. Next put swivel above the wire, in appropriate place using existing threaded pins. Use original M10 nuts to tighten swivel to vehicle floor. To tighten each bolt, rotate swivel to find inspection holes for the bolts.



#### Step 4. Fixation of seat and seat base

Place the seat and seat base on swivel. Use existing holes (in seat base) and bolts (in swivel).

Tighten the M10 nuts from the supplied kit (tightening torque 54Nm).

Final step is switch on the car battery by plugging battery clamps under hood.

